

Micro-Cap 9

Electronic Circuit Analysis Program Reference Manual

Copyright 1982-2008 by Spectrum Software

1021 South Wolfe Road

Sunnyvale, CA 94086

Phone: (408) 738-4387

FAX: (408) 738-4702

Internet: www.spectrum-soft.com

Support: support@spectrum-soft.com

Sales: sales@spectrum-soft.com

Ninth Edition
Second Printing
January 2008

Copyright

© Spectrum Software. 1982-2008. This manual and the software described in it are copyrighted, with all rights reserved. No part of this publication, or the software, may be reproduced, transmitted, transcribed, stored in a retrieval system, or translated into any language in any form without the written permission of Spectrum Software.

Software license notice

Your license agreement with Spectrum Software, which is included with the product, describes the uses of the software which are permitted and the uses which are prohibited. Any unauthorized duplication of Micro-Cap 9, in whole or in part, in print, or in any other retrieval or storage system is expressly forbidden.

Contents

Chapter 1 - Windows Basics	17
What's in this chapter	17
Introduction	18
Parts of a window	18
Basic mouse and keyboard techniques	21
Menus	22
Chapter 2 - The Circuit Editor	23
What's in this chapter	23
Circuit structure	25
Schematic objects	27
Schematic modes	28
Circuit editor	32
Selecting and deselecting objects	34
Creating a new circuit	36
Adding and editing components	37
The Attribute dialog box	39
Adding wires to a schematic	44
Using the Bus	46
Adding and editing grid text	48
Formula text	51
Adding and editing graphic objects	53
Adding and editing flags	54
Moving schematic objects	54
Rotating schematic objects	54
Stepping schematic objects	55
Mirroring schematic objects	56
Deleting schematic objects	57
The Undo and Redo commands	57
Enabling/disabling schematic objects	58
Node number assignment	59
The clipboard	60
Drag copying	61
The Info command	62
The Help command	62
The Digital Path commands	63
Navigating schematics	65

Global Settings	66
The File menu	70
The Edit menu	75
The Component menu	81
The Component panel	83
The Windows menu	84
The Options menu	86
The Analysis menu	104
The Design menu	106
The Model menu	107
The Model editor	108
The Help system	110
Chapter 3 - The Shape Editor	113
What's in this chapter	113
The Shape editor layout	114
The Object editor	120
The Shape library	122
Chapter 4 - The Component Editor	123
What's in this chapter	123
The Component editor layout	124
Adding components to the library	130
Adding subcircuits to the library	131
Using the Add Part wizard	134
Using the Import wizard	136
Using Copy, Paste, and Replace	138
Making circuit files portable	139
Chapter 5 - The Package Editor	141
What's in this chapter	141
The Package editor layout	142
Adding basic packages to the library	145
Adding complex packages to the library	146
Chapter 6 - Transient Analysis	147
What's in this chapter	147
What happens in transient analysis	148
The Transient Analysis Limits dialog box	150

The Transient menu	156
Initialization	157
The State Variables editor	159
Using the P key	160
Numeric output	161
Operating Point Methods	163
Chapter 7 - AC Analysis	165
What's in this chapter	165
What happens in AC analysis	166
The AC Analysis Limits dialog box	168
The AC menu	174
Numeric output	175
Noise	177
AC analysis tips	178
Chapter 8 - DC Analysis	181
What's in this chapter	181
The DC Analysis Limits dialog box	182
The DC menu	188
Numeric output	189
Troubleshooting tips	190
Chapter 9 - Dynamic AC Analysis	191
What's in this chapter	191
What happens in Dynamic AC analysis	192
A sample of Dynamic AC analysis	195
Chapter 10 - Dynamic DC Analysis	199
What's in this chapter	199
What happens in Dynamic DC analysis	200
A sample of Dynamic DC analysis	203
Chapter 11 - Transfer Function Analysis	207
What's in this chapter	207
What happens in transfer function analysis	208
The Transfer Function Analysis Limits dialog box	209
A sample of transfer function analysis	210

Chapter 12 - Sensitivity Analysis	211
What's in this chapter	211
What happens in sensitivity analysis	212
The Sensitivity Analysis Limits dialog box	213
Chapter 13 - Distortion Analysis	217
What's in this chapter	217
What happens in distortion analysis	218
The Distortion Analysis Limits dialog box	219
Distortion analysis example	221
Chapter 14 - Scope	223
What's in this chapter	223
Analysis plot modes	224
Panning the plot	226
Scaling the plot	227
Tagging the plot	228
Adding graphics to the plot	230
Scope menu	231
The Plot Properties dialog box	236
Cursor mode positioning	248
Waveform Buffer	250
Chapter 15 - Probe	253
What's in this chapter	253
How Probe works	254
Probe menu	255
Transient analysis variables	257
AC analysis variables	259
DC analysis variables	261
Probe analog variables	262
Probe regions	263
Probing a SPICE file	263
Editing the schematic in Probe	264
Probing macros and subcircuits	264
Chapter 16 - Stepping	265
What's in this chapter	265
How stepping works	266

What can be stepped?	266
The Stepping dialog box	267
Public vs. private libraries	270
Stepping summary	271
Chapter 17 - Optimizer	273
What's in this chapter	273
How the optimizer works	274
The Optimize dialog box	275
Optimizing low frequency gain	279
Optimizing matching networks	282
Curve fitting with the optimizer	285
Chapter 18 - Monte Carlo Analysis	289
What's in this chapter	289
How Monte Carlo works	290
Tolerancing symbolic parameters	294
Tolerances and public vs. private libraries	295
Distributions	296
Options	297
Performance functions	300
Chapter 19 - Performance Functions	301
What's in this chapter	301
What are performance functions?	302
Performance functions defined	303
The Performance Function dialog box	307
Performance function plots	310
Chapter 20 - 3D Graphs	317
What's in this chapter	317
How 3D plotting works	318
3D example	319
The Properties dialog box for 3D plots	322
Cursor mode in 3D	328
3D Performance functions	329
Changing the plot orientation	331
Scaling in 3D	332

Chapter 21 - Macros	333
What's in this chapter	333
ABS	335
AM	336
AMP	337
CENTAP	338
CLIP	339
COMPARATOR	340
DELAY	341
DIAC	342
DIF	343
DIGPOT	344
DIV	345
F	346
FSK	347
GYRATOR	348
IDEAL_TRANS2	349
IDEAL_TRANS3	350
INT	351
INT_RESET	352
MONOSTABLE	353
MUL	354
NOISE	355
PHOTODIODE	356
PHOTODIODE_R	357
POT	358
PSK	359
PUT	360
PWM_T and PWM_NT	361
RELAY1	362
RELAY2	363
RESONANT	364
SCHMITT	365
SCR	366
SLIP	367
SNUBBER	368
SPARKGAP	369
SUB	370
SUM	371
SUM3	372
TRIAC	373

TRIGGER6	374
TRIODE	375
VCO	376
WIDEBAND	377
XTAL	378
555	379

Chapter 22 - Analog Devices	381
What's in this chapter	381
References	383
Animated analog bar	387
Animated analog LED	388
Animated DC motor	389
Animated DPST, SPDT, and SPST switches	390
Animated meter	391
Animated relay	393
Animated traffic light	395
Animated digital switch	396
Animated digital LED	397
Animated seven segment display	398
Battery	399
Bipolar transistor (Standard Gummel Poon Level=1)	400
Bipolar transistor (Philips Mextram Level = 2 or 21)	406
Bipolar transistor (Philips Modella Level = 500 or 501)	411
Capacitor	415
Dependent sources (linear)	420
Dependent sources (SPICE E, F, G, H devices)	421
Diode	426
Diode (Philips JUNCAP and JUNCAP2)	430
Function sources	436
GaAsFET	440
IBIS	445
IGBT	446
Independent sources (Voltage Source and Current Source)	451
Inductor	460
Isource	465
JFET	466
K (Mutual inductance / Nonlinear magnetics model)	470
Laplace sources	475
Macro	479
MOSFET	481

MOSFET (EKV)	510
MOSFET Philips Model 11	527
MOSFET Philips Model 20	543
MOSFET Philips Model 31	550
MOSFET Philips Model 40	553
MOSFET PSP Model	556
N_Port	580
OPAMP	582
Pulse source	589
Resistor	591
S (Voltage-controlled switch)	595
Sample and hold source	598
Sine source	600
Subcircuit call	602
Switch	605
Timer	607
Transformer	610
Transmission line	611
User file source	614
W (Current-controlled switch)	616
Z transform source	619
Chapter 23 - Digital Devices	621
What's in this chapter	621
The digital simulation engine	622
Digital nodes	622
Digital states	623
Timing models	626
Unspecified propagation delays	627
Unspecified timing constraints	628
Propagation delays	629
Digital delay ambiguity	631
Timing hazards	633
The analog/digital interface	635
General digital primitive format	639
Primitives	642
Gates	645
Standard gates	646
Tri-state gates	650
Flip-flops and latches	654
Edge-triggered flip-flops	655

Gated latch	660
Pullup and pulldown	665
Delay line	667
Programmable logic arrays	669
Multi-bit A/D converter	675
Multi-bit D/A converter	679
Behavioral primitives	682
Logic expression	683
Pin-to-pin delay	688
Constraint checker	697
Stimulus devices	705
Stimulus generator	705
Stimulus generator examples	709
The File Stimulus device	715
File Stimulus input file format	715
I/O model	721
Digital / analog interface devices	724
Digital input device (N device)	724
Digital output device (O device)	728
Chapter 24 - Libraries	731
What's in this chapter	731
The Shape Library	732
The Package Library	732
The Component Library	733
The Model Library	735
How models are accessed	736
Chapter 25 - Expressions	737
What's in this chapter	737
What are expressions?	738
Numbers	739
Symbolic variables	740
Array variables	741
Constants and analysis variables	743
Power and Energy	744
Variables	745
Wildcard device and node names	746
Component variables	749
Subcircuit and macro variables	751

Model parameter variables	752
Sample variables	753
Mathematical operators and functions	754
Sample expressions	761
Rules for using operators and variables	764
Chapter 26 - Command Statements	765
What's in this chapter	765
.AC	766
.ARRAY	767
.DC	769
.DEFINE	770
.ELIF	772
.ELSE	772
.END	773
.ENDIF	773
.ENDS	773
.ENDSPICE	774
.FUNC	774
.HELP	775
.IC	775
.IF	776
.INCLUDE	777
.LIB	777
.MACRO	778
.MODEL	779
.NODESET	782
.NOISE	783
.OP	783
.OPT[IONS]	784
.PARAM	784
.PARAMETERS	785
.PATH	786
.PLOT	786
.PRINT	786
.SENS	787
.SPICE	787
.STEP	788
.SUBCKT	789
.TEMP	791

.TF	791
.TIE	791
.TR	792
.TRAN	792
.WARNING	793
.WATCH	795
Chapter 27 - The Model Program	797
What's in this chapter	797
How to start Model	797
The Model window	798
The Model tool bar	800
The Model menu	802
A bipolar transistor example	805
Diode graphs	811
Bipolar transistor graphs	812
JFET graphs	814
MOSFET graphs	815
Opamp graphs	817
Core graph	818
Chapter 28 - The IBIS Translator	819
What's in this chapter	819
What is IBIS?	820
The IBIS translator	821
An example of IBIS file translation	824
Chapter 29 - Filter Design	829
What's in this chapter	829
How the active filter designer works	830
The Active Filter dialog box	831
Component lists	842
Filter support files	844
Filter specification: mode 1	845
Filter specification: mode 2	851
How the passive filter designer works	853
The Passive Filter dialog box	854

Chapter 30 - Convergence	859
What's in this chapter	859
Convergence defined	860
What causes convergence problems	861
Convergence checklist	862
Chapter 31 - Fourier Analysis	867
What's in this chapter	867
How FFT functions work	868
Fast Fourier Transform functions	870
An FFT example	876
The FFT control panel	881
The FFT window	884
Appendix A - File types	887
Appendix B - Model library files	889
Appendix C - Sample circuit files	892
Appendix D - Accelerator keys	897
Index	899

Typographic conventions

Certain typographic conventions are employed to simplify reading and using the manuals. Here are the guidelines:

1. Named keys are denoted by the key name alone. For example:

Press HOME, then press ENTER.

2. Text that is to be typed by the user is denoted by the text enclosed in double quotes. For example:

Type in the name "TTLINV".

3. Combinations of two keys are shown with the key symbols separated by a plus sign. For example:

ALT + R

4. Option selection is shown hierarchically. For example this phrase:

Options / Preferences / Options / General / Sound

means the Sound item from General section of the Options group on the Preferences dialog box, from the Options menu.

5. Square brackets are used to designate optional entries. For example:

[Low]

6. The characters "<" and ">" bracket required entries. For example:

<emitter_lead>

7. User entries are shown in italics. For example:

emitter_lead

8. The OR symbol (|) designates mutually exclusive alternatives. For example, PUL | EXP | SIN means PUL or EXP or SIN.

What's in this chapter

This chapter introduces and reviews the basics of working with Windows. It describes the common Windows structures including menus, dialog boxes, text boxes, list boxes, drop-down list boxes, option buttons, and check boxes. It also covers basic mouse and keyboard handling techniques and describes the difference between selecting and choosing.

Introduction

MC9 is a Windows program. To use the program, it is necessary to understand how Windows itself operates. Even though it is assumed that you are familiar with the Windows system, this chapter provides a brief introduction and review of the basic Windows features. If you feel a need for more information after reading this chapter, review the first chapter in the Windows User Guide that came with your Windows operating system. It has an excellent introduction to Windows. Much of what we present here is adapted from the Guide.

Parts of a window

Most MC9 operations are performed from within overlapping rectangular regions called windows. In this section we describe the parts common to most of these windows, and defer for later the more specialized MC9 functions.

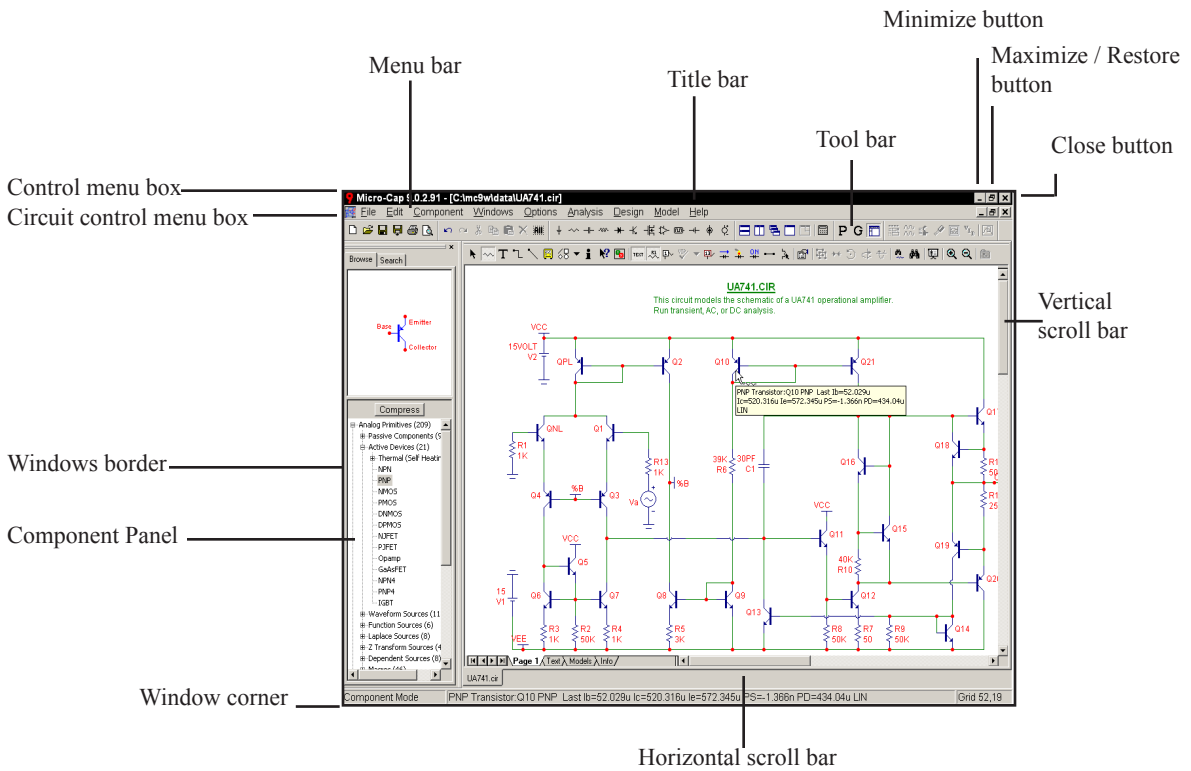


Figure 1-1 The parts of a window

The various parts of a window and their purposes are as follows:

Control menu box

The Control menu box is located in the upper-left corner of the window. This box is a standard feature of all Windows applications and is mainly used to control the MC9 window size and location on the desktop. It lets you resize, move, maximize, minimize, and close the MC9 window. The mouse can also be used to perform these tasks by dragging.

Circuit control menu box

The Circuit control menu box is similar to the standard control-menu box except that it controls a circuit window only. There can be many circuit windows open simultaneously. This standard Windows structure is provided for management of circuit windows, but there are easier ways to manipulate circuit windows. These will be described in later chapters.

Menu bar

This bar shows the available menus. A menu is a list of commands or options that lets you access various program features. Some items on a menu have an immediate effect. For example, when you choose **Save** from the **File** menu, the current circuit is saved to disk immediately. Other menu items control deferred actions or behavior. For example, when you choose **Wire** from the **Mode** item of the **Options** menu, nothing happens immediately. When you later drag the mouse in the circuit window, it draws a wire, instead of drawing a component or text.

Title bar

The title bar shows the name of the window. If the window is a circuit window, the title shows the circuit name and directory path. If the window is a dialog or text box the title shows the name of the dialog or text box. If the window is an analysis output window, such as numeric output, the title shows the file name and path of the file where the numeric output has been saved to disk.

Tool bar

The tool bar shows the tool buttons. These are graphical equivalents of the menu items. Clicking on a tool bar button is the same as clicking on its equivalent menu item. Tool bar buttons provide convenient, quick access to frequently used menu items. Immediate action buttons temporarily depress when clicked, then spring back. Modal buttons stay depressed until another mode is chosen. A depressed modal button means that the mode is enabled. This is the same as its corresponding menu item having a check mark.

Close button

The Close button closes the window.

Maximize / Restore button

The Restore button restores the windows former size.

Minimize button

The Minimize button reduces the window to an icon.

Scroll bars

The scroll bars are used to pan the window document. If the window is a circuit, the scroll bars are one of several ways to view different parts of the circuit. If the scroll bars are part of a list box, they let you browse the list.

Window border

The window border is a control object on the outside edge of the window. When the mouse passes over the edge, the cursor changes to a vertical or horizontal double arrow. A mouse drag then moves the underlying border, changing the window size and proportions.

Component panel

The optional Component Panel is used to select components for placement in the schematic window. It can be placed in a variety of locations within the window.

Window corner

The window corner is a control object on the corner of the window. When the mouse passes over the corner, the cursor changes to a diagonal double arrow. A drag here simultaneously moves the two corner sides, changing the window size.

Basic mouse and keyboard techniques

This section explains the basic terms and techniques used to select and choose items from windows, menus, list boxes, and dialog boxes. The definitions of the more common terms are as follows:

This Term	Means
Click	To quickly press and release a mouse button.
Double-click	To click a mouse button twice in rapid succession.
Drag	To hold the mouse button while you move the mouse.
Point	To move the mouse until the mouse pointer is at the desired location on the screen.

Mouse button means the *left* mouse button, unless otherwise specified. The right mouse button is reserved for specialized functions.

The terms choose and select have two distinct meanings. To select something means to mark it, usually as a prelude to choosing it. To choose means to use the mouse or keyboard to pick or activate the selected item, option, or action.

Selecting is done by clicking the item with the cursor or dragging the cursor over a region containing the object. Selected text in a text field or in the text area appears in reversed video. Selected schematic objects, including text objects, are shown in the user-specified select color. Selected items from a window or dialog box may be shown as a highlight, or a dotted rectangle.

To choose a selected item in a dialog box, you click it with the mouse or press the SPACEBAR key. Highlighted buttons are chosen by pressing ENTER.

Accelerator keys are provided for some of the more frequently used menu items. Like tool bar buttons, they provide a quick and ready way to choose or activate common menu items. The keys are shown on the menus, adjacent to the items they activate. The keys can also be changed by the user.

Accelerator keys are well worth learning. For frequently used features, they can save a lot of time. Appendix D has a list of the accelerator keys.

Menus

Menus provide the basic commands and options that let you use MC9 features.

To select a menu:

Mouse

Using the mouse pointer, point to the name of the menu on the menu bar, and click the left mouse button. This opens the menu and displays its contents. You can also drag the mouse from the menu name directly to the item name and release the button to choose it.

Keyboard

If the menu name contains an underlined letter, press ALT + underlined letter. Alternatively, use this method:

- Press ALT to select the menu bar.
- Press LEFT ARROW or RIGHT ARROW to select the desired menu.
- Press ENTER to open the selected menu.

To close a menu:

Click anywhere outside the menu or press the ESC key.

To choose an item from a menu:

Click the mouse on the item name or use UP ARROW or DOWN ARROW keys to select the item, and then press ENTER to choose the item.

Menu conventions:

Convention	Meaning
Dimmed or missing item	The item is not available or inappropriate. For example, the C opy command is dimmed when nothing is selected.
Ellipsis (...)	A dialog box appears revealing more choices to be made before the command can be completed.
Check mark	A check mark means the option is in effect.
A key combination	The key combination is a shortcut for this item.
A triangle	This indicates that a cascading menu appears listing additional choices.

What's in this chapter

This chapter describes the Circuit editor, the foundation of the Micro-Cap 9 user interface. It provides access to all of the basic program functions, including circuit construction, analyses, and the various editors.

Features new to Micro-Cap 9

- Passive Filter Designer now handles elliptic filters.
- Component panel provides easy, hierarchical access to and search of the Component Library.
- Enable or disable text and circuitry with a single command
- New Region Box with *enable_expression* allows conditional inclusion of circuitry.
- New text control blocks (.IF *expression*, .ELSE, .ELIF *expression*, and .ENDIF) allow conditional inclusion of text, which may control .commands, model statements, and SPICE netlist circuitry.
- Hotkeys: Users can set their own hotkeys for any command.
- Multiple shapes. Components can now have multiple shape assignments providing easy switching between shapes.
- Fit to standard values command finds nearest fit to standard resistor, capacitor, and inductor values, including parallel and series combinations.
- Dynamic Component Find command now lists parts as you type.
- .SPICE command allows SPICE code to be mixed with schematics.
- Formula Text feature allows text to include algebraic expressions that dynamically respond to changes in their constituent variables.
- Model Parameter Find command allows 'as you type' search of parameter names/descriptions in the Attribute Dialog Box making it easy to locate parameters. This is especially useful with the newer models which employ hundreds of parameter names.
- The text of multiple attributes can now be moved simultaneously.
- Constant Color: RGB information is now stored in the circuit so when the circuit is given to someone else, the colors stay the same.

- Copy and Paste can now optionally copy and paste model information also.
- Information is displayed at the mouse cursor when it is placed over a schematic element.
- Rubberbanding now eliminates all diagonal lines.
- Window Tabs provide rapid selection of circuit or analysis windows.
- Next Object command lets you select overlapping objects with CTRL+Tab.
- Node snap can now be toggled on and off with CTRL+Shift+N to facilitate drawing dense schematics.
- Common digital stimulus patterns are now button selectable from within the Attribute Dialog Box.
- Multiple files can now be password protected in a single operation using a single password.
- Text in a text page can be uppercased by selecting it and pressing CTRL+U. Text field lowercasing is done similarly with CTRL+L.
- The Help menu now provides a list of the sample circuits provided with MC9 and a list of the features the circuits illustrate.

Circuit structure

MC9 analyzes circuits. A circuit is an interconnection of electrical components. There are two basic types of circuit description that MC9 uses:

- Schematic, a picture of the circuit topology.
- SPICE text file, a textual description of the circuit topology.

Schematics

Schematics are comprised of drawings and text. Drawings provide the circuit description and text provides the modeling and analysis information required for an AC, DC, or transient analysis. MC9 runs analyses from data contained in the schematic. It is not necessary to convert it to a SPICE netlist first, although MC9 can also analyze SPICE netlists. Sometimes MC9 also uses modeling information from libraries referenced in the schematic.

Each schematic contains a drawing area and a text area.

Drawing area

The drawing area contains one or more pages of analog and/or digital components interconnected by wires. It may also contain graphical objects (which contain no electrical information) and grid text (which may contain electrical information). Grid text can be moved from the drawing area to the text area and vice-versa by selecting it and pressing CTRL + B. This is called the *shuttle* command. Pages can be added or deleted from the Edit menu or with a right click on any page tab in the page selector at the bottom of the schematic window. Page display is controlled by the page scroll bar located at the lower left part of the circuit window.

Text area

The text area contains only text. It typically holds *local* command statements, subcircuit descriptions, model statements, and digital stimulus statements that may be too bulky for convenient display in the drawing area. There can be one or more text pages. The text editor is capable of handling multi-megabyte text files.

The display can be toggled between the current text or schematic page and the last used text or schematic page by pressing CTRL + G. The text area can be selected by clicking on the one of text page tabs in the page scroll bar area. To return to the schematic, click on one of the desired page tabs or press CTRL + G.

You can split the display to simultaneously show different parts of the drawing and/or text areas by dragging the vertical or horizontal splitter bar towards the middle of the window.

SPICE text files

SPICE text files are standard SPICE text descriptions of a circuit, a subcircuit, or a model statement. MC9 generally follows the original Berkeley SPICE2G format, with many PSpice™, SPICE3, and some HSPICE™ extensions. Text files are entered and edited in a text document similar to what a text editor or a word processor creates. When you create a new SPICE text file, MC9 opens a text document and lets you edit it as desired. Only when you start an analysis does MC9 error check it.

Note that MC9 can also translate schematics into SPICE text files of various flavors, in case you want to check the accuracy of an external SPICE simulator against MC9. MC9 will, of course, accept such files for analysis.

Direct SPICE netlist inclusion

Beginning with MC9, the program includes a pair of commands, .SPICE and .ENDSPICE, which allows the direct inclusion of SPICE coded circuitry within a schematic's text pages. For example:

```
.SPICE
L1 IN OUT 1U
C1 OUT 0 1N
R1 OUT 0 50
.ENDSPICE
```

Adding this text to a text page creates a piece of circuitry which connects to the schematic nodes labeled IN and OUT. The circuitry need not be a subcircuit. Any SPICE circuitry from the text pages contained within the lines between the .SPICE and .ENDSPICE commands is available for use in the schematic and may be connected by using identical schematic and SPICE node names.

Schematic objects

A schematic object is anything that can be placed in a schematic. There are several types of objects:

- **Components:** This includes all analog and digital sources, active and passive parts, and connectors. In short, it includes any object chosen from the Component menu.
- **Wires:** Wires are used to interconnect components. There are two varieties of wires: orthogonal and diagonal. Orthogonal wires are restricted to the vertical or horizontal direction. They may contain both a vertical and a horizontal segment. Diagonal wires are drawn at any angle and only contain one segment.
- **Text:** Text, sometimes referred to as grid text because its origin is restricted to an imaginary grid, is used for naming nodes, creating command statements, and general documentation.
- **Graphics:** Graphical objects include lines, rectangles, ellipses, diamonds, arcs, pies, and pictures. They are used for aesthetic or documentation purposes and have no effect on the electrical behavior of the circuit.

Schematics may contain picture files in any of the following formats: WMF, EMF, JPG, BMP, GIF, TIFF, and PNG. The most common use of this feature is to place a picture of an analysis plot in a schematic. Picture files of MC9 graphics windows may be captured by the **Copy the Entire Window to a Picture File** command on the **Edit** menu. Once the picture file has been created, it can be included in a schematic as a graphic object.

- **Flags:** Flags mark locations in a schematic that you are likely to want to view many times. They facilitate rapid switching of the display between multiple circuit locations. They are most useful in very large circuits, where the display redraw time may be too long for convenient use of the scroll bars.

These are the only objects that can be placed in a schematic.

Note that grid text is the only object that can be moved between a drawing page and a text page.

Schematic modes

The Schematic editor is a modal editor. That means the behavior of the mouse when it is clicked or dragged in the schematic depends upon what mode it is in. Schematic modes affect either the mouse behavior or the schematic display.

- Behavioral modes
 - Circuit altering modes
 - Select mode
 - Component mode
 - Text mode
 - Wire mode
 - Bus mode
 - Diagonal wire mode
 - Graphics / Picture File mode
 - Flag mode
 - Region Enable mode
 - Circuit querying modes
 - Info mode
 - File Link mode
 - Help mode
 - Point to end paths mode
 - Point to point paths mode
- View modes
 - Attribute Text
 - Grid Text
 - Node Numbers
 - Node Voltages / States
 - Current
 - Power
 - Condition
 - Pin Connections
 - Grid
 - Cross-hair Cursor
 - Border
 - Title

The behavioral modes are mutually exclusive. At any given moment, only one mode is active. You can tell which mode is active by looking at the mode buttons.

An active mode button is pushed in. An inactive mode button is pushed out.

To select a mode, click its button. This deselects the prior mode button.


Behavioral modes:



Select mode: This selects an object, region, or location for one of several actions:

- Editing the selected object (Requires a double click)
- Clearing the selected region (Deleting without copying to the clipboard)
- Cutting the selected region (Deleting with copying to the clipboard)
- Moving the selected region
- Rotating the selected region
- Stepping the selected region
- Mirroring the selected region
- Making a macro of the selected region
- Copying the selected region to the clipboard
- Making a BMP file of the selected region
- Drag copying the selected region
- Moving the selected object to front or back
- Shuttling the selected text object between the text and drawing areas
- Changing the selected object's color or font
- Defining the upper-left corner position of a subsequent paste operation

To select an object you must first be in Select mode. To enter Select mode do one of the following:

- Click on the Select mode button  or press CTRL + E.
- Press the SPACEBAR key. Press it again to restore the original mode.
- Press and hold the SHIFT key down. In this mode you can select objects or a region, but you can't drag the mouse. When the key is released, the original mode is restored.

To select a contiguous group of objects, drag the mouse over the region containing the objects. To select a noncontiguous group of objects, hold down the SHIFT button and click the mouse on each object.



Component mode: This mode lets you add components to the schematic. The component that gets added is the last one chosen.



Text mode: This mode lets you add grid text to the schematic. Grid text is used for node naming, defining electrical characteristics, and documentation.



Wire mode: This mode lets you add orthogonal wires to the schematic. Orthogonal wires can have one or two segments and be vertical or horizontal or both.



Bus mode: This mode lets you add bus connectors to the circuit. Buses are drawn while in Wire mode if one end is a Bus connector or a bus.



Diagonal wire mode: This mode lets you add diagonal wires to the schematic.



Graphics/Picture File mode: This mode lets you add a graphical object (line, rectangle, ellipse, pie, arc, diamond, or picture file) to a circuit. Picture files are typically created with the **Edit / Copy The Entire Window to a Picture File** command.



Flag mode: This mode lets you add flag markers for rapid navigation of large schematics with many pages.



Info mode: This mode provides model information about a part when you click on it. The information is usually a model, subckt, or define command statement for the part. If the part is a macro, the macro circuit which it represents is displayed. If it is a subckt, the subcircuit description is displayed. If it is a device that uses a model statement, the model statement is displayed. Double-clicking on the part also displays model information in the Attribute dialog box.



File Link mode: In this mode, you click on a part to display its file link. A link can be an internet URL, a local pdf file, an executable program, or any other file. You can also use a piece of grid text as a file link. See the sample circuit LINKS.CIR.



Help mode: In this mode, you click on a component to display its parameter or attribute syntax. ALT + F1 gives syntax help on selected SPICE part names.



Point to End Paths: In this mode, you click on a digital component and MC9 traces all of the digital paths that originate at the component and end when they drive no other combinatorial component.



Point to Point Paths: In this mode, you click on two successive digital components and have MC9 trace all of the digital paths between the two components.



Region Enable: In this mode, you drag select a region and assign to it a boolean expression that typically depends upon values of symbolic (.define or .param) variables within the circuit.

View modes:



Attribute text mode: This mode controls the display of all attribute text. Attribute text will be displayed only if the individual attribute display check boxes are enabled and the Attribute text mode is enabled.




Grid text mode: This mode controls the display of all grid text. If disabled, all grid text is invisible. If enabled, all grid text is visible.



Node numbers: This mode displays the numbers assigned by MC9 and used to identify circuit nodes.



Node Voltages / States: This shows time-domain node voltages or digital states. It shows AC node voltages in Dynamic AC mode. The VIP button  selects last, RMS, average, or peak, if enabled from **Properties (F10) / View / Display**.



Current: This shows time-domain currents for each part. It shows AC branch currents in Dynamic AC mode. Currents are shown with an arrow indicating the direction of positive current. The VIP button selects last, RMS, average, or peak.



Power: This shows time-domain values of stored, generated, and dissipated power for each component. It shows AC power terms in Dynamic AC mode. The VIP button selects last, RMS, average, or peak.



Condition: This mode displays the last time-domain condition for each component which has conditions. Typical conditions for a BJT are LIN (linear), SAT (saturated), OFF (both junctions off), and HOT (excessive power dissipation).



Pin connections: This mode marks pin locations with a dot. These are the places where connections are made to wires or other component pins.



Grid: This mode displays a selection of schematic grids. All wires, components, and other objects are anchored to a grid point.



Cross-hair cursor: This mode adds a full-screen schematic cross-hair cursor. Its principle use is in aligning components.



Border: This mode adds a border around each printed sheet of the schematic.



Title: This mode adds a title block to the corner of each schematic sheet. There is an option to have only one title block per page. This option is accessible from the Properties dialog box, accessed with F10.

Circuit editor

The Circuit editor creates and edits circuits. When the circuit is a schematic, it becomes the Schematic editor and its display looks like the figure below:

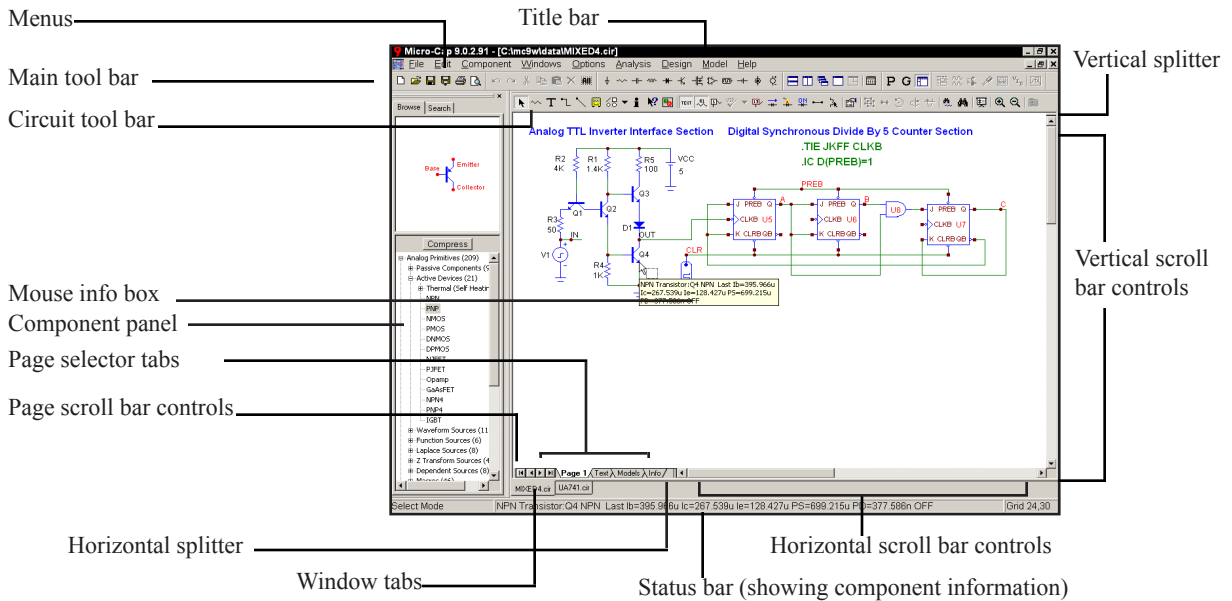


Figure 2-1 The Schematic editor

The principal components of the editor are as follows:

Menus: Located beneath the title bar, menus select major functional groups.

Title bar: Located in the top center of the window, the title bar displays the name of the window. The mouse can be used to move the window by dragging the title bar.

Main tool bar: Shown below the title bar, the main tool bar contains buttons that represent the most frequently used options, such as file operations and access to the various editors. The tool bar provides a quick way to access those options. Clicking on a button will activate the desired option.

Circuit tool bar: Shown below the main tool bar, the circuit tool bar contains buttons that represent the most frequently used menu options that apply specifically to the circuit. The tool bar provides a quick way to access those options. Clicking

on a button will activate the desired option.

Mouse info box: When the mouse is over a part, the status bar center pane and the mouse info box both show its Component library memo field if it has any descriptive text. It also shows the part type and information about its last current and power values. If the part is a digital primitive gate, it will print the logic expression. The feature is enabled or disabled from **Preferences / Options / Circuit / Element Info**.

Component Panel: This panel lets you select a part from its display of the Component library, or search for a part by typing in part of its name. Its dynamic, as-you-type, display makes finding a part easy. Its location, content, and other display options are controlled from **Preferences / Panel/Window Tabs / Panel**.

Page selector tabs: Located in the lower left of the window, the page selector tabs let you select a particular page for viewing. The text page is selected by clicking on the Text tab. CTRL + G may also be used.

Page scroll bar controls: These control scrolling between schematic pages.

Horizontal and vertical scroll bar controls: These controls, located to the right and the bottom of the window, let you pan the schematic vertically or horizontally. Clicking on the scroll arrows pans the display roughly 10% of the window width per mouse click. Moving the scroll box, either by dragging it or by clicking in the scroll bar area, moves the view to a location proportionate to the new scroll box position relative to the scroll bar end points.


Window tabs: These select from among the open circuit or analysis windows.

Horizontal and vertical splitter bars: Dragging these bars splits the window into two parts, with a vertical or horizontal bar between. Each part can be sized, scrolled, and toggled between text and drawing areas. Each split section can be scrolled or panned to view different parts of the schematic.

Status bar: This bar describes the items the mouse pointer is currently passing over. It is also used to print informative messages.

Selecting and deselecting objects

To manipulate an object after it has been placed in the schematic, it must first be selected. Selection or de-selection requires the use of the mouse and follows the general Windows rules.

First step: If not already in Select mode, click on the Select mode button  in the Tool bar or press CTRL + E. You can also toggle between Select mode and the current mode using the SPACEBAR key.

Second step:

To select a single object:

Click on the object. The object is selected.

To select or deselect a single object:

Press SHIFT and click on the object. The object's selection state is toggled. If the object was formerly selected, it becomes deselected. If it was formerly deselected, it becomes selected.

To select multiple contiguous objects:

Drag the mouse creating a region box. This selects all objects that originate within the box.

To select or deselect multiple contiguous objects:

Press SHIFT and drag the mouse creating a region box. This toggles the selection state of all objects originating within the box.

To select or deselect multiple noncontiguous objects:

Press and hold SHIFT while clicking on each individual object or dragging on each group whose selection status you want to change. This toggles the selection state of the object or group.

When would you want to deselect specific objects? Sometimes it is necessary to select most but not all of a large group of contiguous objects. It is easier and faster to drag select the entire group and then deselect one or two of them than to individually select each of the desired objects.

If you click on a component's attribute text, the text will be selected, not the component. Be careful to click within the component where there is no attribute text. Single-clicking on attribute text selects it and lets you move it. Double-clicking

on attribute text opens a local edit box at the text location and lets you edit it there without using the Attribute dialog box.

To select all objects in the window, press CTRL + A. To deselect all objects, click on any empty space in the window.

Rapid switching to/from Select mode:

In the course of building or editing a schematic, it often happens that you need to rapidly switch between modes, especially between Select mode and Component or Wire mode. To make this process easier several short term mode switchers are available:

- To temporarily suspend the current mode and enable Select mode, press and hold the SHIFT key down. You can use this pseudo Select mode for object selection only. You can't drag objects. When the SHIFT key is released the former mode will be restored.
- To temporarily suspend the current mode and enable Select mode, press and hold the CTRL key down. The mode will change to Select. You can use the Select mode as needed. When the CTRL key is released the former mode will be restored. Note that under this mode you can't move objects with the mouse. CTRL + mouse drag is used to drag copy an object.
- To suspend the current mode and switch to Select mode, press the SPACEBAR key. It is not necessary to hold the key down. The mode will change to Select. You can use the Select mode as needed, then press the Spacebar when you're finished and the former mode will be restored.

Pressing the SPACEBAR key is the easiest method of alternating between Select and other modes.

Creating a new circuit

To create a new circuit, select the **New** item from the **File** menu. This presents the New dialog box which looks like this:

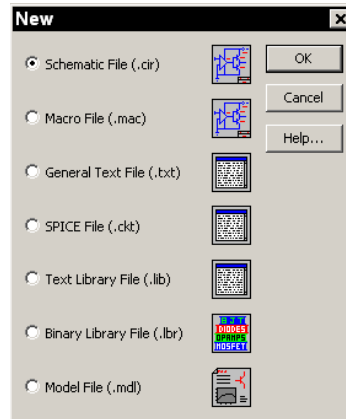


Figure 2-2 The New dialog box

This dialog box lets you create one of three types of files:

- Schematic(.cir) These are text files that describe schematics.
- Macro(.mac) These are text files that describe macro schematics.
- Text(.txt) These are general text files.
- SPICE(.ckt) These are text files used for SPICE circuit netlists.
- Text Library(.lib) These are text files containing subcircuit and model statements for the Digital Library, Analog Library, and Spectrum supplied model libraries.
- Binary Library(.lbr) These are binary files that store the model parameters for some of the Analog Library.
- Model File(.mdl) These are binary files that store the data sheet or measured values from which the Model routines create model parameters for use in the Analog Library.

To create a particular type of file, click on the item and then click on the OK button. This opens an empty window of the appropriate type and gives it a generic file name.

Adding and editing components

To add a component to a schematic:

First step: Select a component from the Component panel or menu, from one of the component buttons in the Tool bar, from one of the Component palettes, or from the Find Component dialog box (SHIFT + CTRL + F). You can skip this step if the component you want has already been selected by a prior step. The main part of the Component menu is divided into these categories:

- Analog Primitives
- Analog Library
- Digital Primitives
- Digital Library
- Animation
- Import (Holds parts imported from a circuit file)
- Filters (Visible after creating a filter macro from the Filter Designer)
- Macros (Visible after creating a macro with the Make Macro command)


The *Analog Primitives* section contains each of the basic analog components like resistor, capacitor, or NPN transistor. These parts all require the user to provide the defining electrical attributes such as resistance, capacitance, or a suitable model statement. Model parameters can be entered directly from the Attribute dialog box, or you can select a pre-modeled part from the Analog Library by picking its name from the Model list box. Editing a model statement localizes the information by saving a copy of the edited model statement in the circuit text area. The same applies to subcircuits. Editing a subckt from the Attribute dialog box causes a copy to be placed in the text area of the circuit.

The *Analog Library* section contains pre-modeled analog components referenced by part names similar to their commercial names. In this section, you'll find parts like IRF510, 2N2222A, and 1N914. These parts have electrical attributes already defined in subckts, macros, or model statements somewhere in one of the model library files referenced by the master index file, ".LIB NOM.LIB", which MC9 automatically includes in every circuit file.

The *Digital Primitives* section contains one each of the basic digital components like AND gates, OR gates, flip-flops, PLAs, and stimulus sources. These parts also require the user to provide a suitable model statement, or to rely on .LIB statements to access modeling information.

The *Digital Library* section contains commercial digital components with part names similar to their corresponding commercial part names. In this section, you'll find parts like 7400, 7475, and 74LS381. These parts also have electrical attributes defined in the model library files referenced by the file, NOM.LIB.


The *Animation* section holds behavioral animation parts, including LEDs, seven segment displays, relays, analog and digital current and voltage meters, DC motors, and analog and digital switches. The *Import* section holds parts imported from circuits. The *Filters* section contains filter macros created by the filter design function, accessed from the Design menu. The *Macros* section holds macros created with the Make Macros command.

Second step: Make sure MC9 is in Component mode. Selecting a part from the Component menu will automatically switch to Component mode. If MC9 is in the Component mode, its Tool bar button  will be depressed. If you are not sure, click on the button in the Tool bar, or press CTRL + D.

Third step: Click the mouse in the schematic and drag the component to the desired location. Click the right mouse button until the part is oriented the way you want. Release the left button when the part is where you want it.

Fourth step: Enter the appropriate attributes into the Attribute dialog box. If the part is from the Filters, Analog Library, or Digital Library sections, this step is unnecessary and the Attribute dialog box will not even appear. If the part is from the Analog Primitives or the Digital Primitives sections, this step lets you enter important information like the part name and value or model name.

To edit a component's attributes:

Click on the Select button  in the Tool bar. Double-click on the part to invoke the Attribute dialog box. Click on the attribute name that you want to edit, then click in the Value field and type in any changes. You can also change the model name by choosing a new model name from the Model list box.

Subcircuits and model parameters can be edited from within the dialog box. Any edits localize the information by placing a copy of the model statement or subckt within the text area of the circuit.

You can change an attribute's font by first selecting the attribute and then clicking on the Font button and choosing a new font, style, size, or effect. You can also change the display flag for attribute text and pin names. Choose OK to put your changes into effect.

The Attribute dialog box

When you add a component that has not been modeled, the Attribute dialog box is presented to let you enter certain component information. The exact information required varies with the component but generally a part name and a value are the minimum required for the simpler parts like resistors, capacitors, and inductors. More complex parts usually require a part name and a model name. Digital parts sometimes require logic expressions, block names, or stimulus table names. The number of attributes is determined by the type of component. Here is the dialog box as it appears for a typical NJFET primitive.

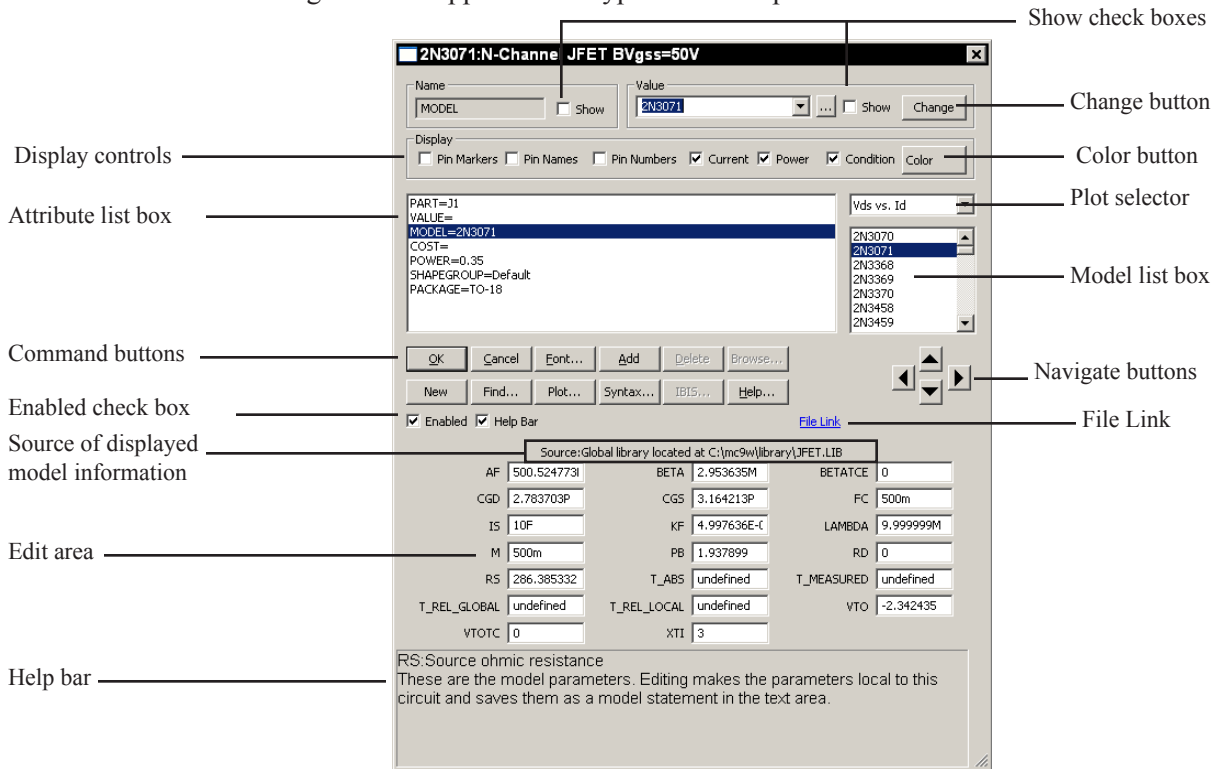


Figure 2-3 The Attribute dialog box

The attributes are shown in the *Attribute list box*. For an NJFET transistor the attributes are: PART, VALUE, MODEL, PACKAGE, COST, POWER, and SHAPEGROUP. Each attribute has a name and a value as shown in the table.

Attribute Name	Attribute Value
PART	J2
VALUE	<i>none</i>
MODEL	2N3071
PACKAGE	TO-18
SHAPEGROUP	Default

The first attribute is the part name. The optional second attribute is a text string describing the area, off flag, and initial conditions. The MODEL attribute specifies the model name which in turn specifies a set of model parameters which may be located locally within the circuit in the text or drawing areas of the schematic, or may be located globally in the libraries. The PACKAGE attribute specifies the physical package used by the part. Package information is used to create netlists for external PCB (Printed Circuit Board) programs.

The COST and POWER attributes specify the unit cost and power budget for the Bill of Materials (BOM) report. This is a type of netlist report that shows the parts count, cost, and power budget of the circuit.

To edit a particular attribute value, select it by clicking on the attribute name in the Attribute list box. Next, click in the Value field and edit it as desired.

You can add other attributes. These have no effect on the electrical behavior of the device. To add an attribute, click on the Add button. This adds a new attribute and places the name 'USER' in the Name field. The Value field is left blank. You can then edit the attribute Name and Value fields.

To delete an attribute, select it by clicking on its name in the Attribute list box. Then click on the Delete button. Only user-added attributes may be deleted.

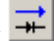
To change an attribute font, size, style, color, or effects, click on the Font button. This displays the Font dialog box. The Font dialog box lets you edit text features. It is described later in this chapter.


Display Controls: This lets you show or hide these items:


Pin Markers: This controls the display of pin markers on the device, which show where connections to the device are made

Pin Names: This controls the display of pin names. Sometimes this is helpful for vendor-supplied subcircuit models where node numbers are used instead of more meaningful names. Normally this option is turned off.

Pin Numbers: This controls the display of package pin numbers and is used to identify the physical pin numbers for PCB work. Normally this option is off.

Current: This controls the display of the last time domain or AC current value for the part, if the Current display button  is enabled.

Power: This controls the display of the last time domain or AC power value for the part, if the Power display button  is enabled.

Condition: This controls the display of the last condition (ON, OFF, etc.) for the part, if the Condition display button  is enabled.

Attribute list box: This lists the attributes. Attributes can be edited by selecting one and then editing its value in the VALUE edit box.

Command buttons: These provide the following functions:

OK: This accepts any edits that have been made and exits the dialog box.

Cancel: This cancels any edits that have been made and exits the dialog box.

Font: This lets you alter the font and style of the selected attribute.

Add: This adds a new attribute.

Delete: This deletes the selected attribute. Only user-added attributes may be deleted.

Browse: This button allows file browsing when the part uses the FILE attribute, as for example, with user and fstim sources, macros, subcircuits, and PLAs. It is only enabled when the FILE attribute is selected.

New: If the MODEL attribute is currently selected, this creates a new model name local to the circuit. You can also create a new model simply by typing in a model name not already in the library.

Find: This invokes the Find dialog box which locates parameter names and/or descriptions. Modern bipolar and MOSFET models have a great many model parameters. The Find command helps you locate them for editing or review.

Plot: This produces zero to three plots for each basic part type (primitive). The plots are created on the fly from mini-simulations of test circuits designed to produce the plot in question. Some parts, like the Pulse source, have a simple simulation and a single plot (two cycles of its waveform). Others, like the NPN, have several plots that can be chosen from the plot selector. Some parts, like macros and subckts, have no plot at all. Once the plot is displayed, it responds dynamically to parameter edits.

Syntax: This displays the syntax for the primitive from the help file.

Help: This accesses the help topic for the Attribute dialog box.

IBIS: This button accesses the IBIS Translator when the part is an IBIS component, allowing editing or selection of IBIS IO models.



Combinations: This finds the best series / parallel combination of standard part values that approximates the RESISTANCE, CAPACITANCE, or INDUCTANCE value. For example, a value of 1234567 ohms becomes

$$1.235\text{MEG} = 1.2\text{MEG} + (133\text{K} \parallel 47.5\text{K}) \quad (e=0.0035\% \quad n=3).$$

This means that the closest value is achieved by placing a 1.2MEG resistor in series with a parallel combination of a 133K and a 47.5K resistor. The resulting value is 1.235MEG, which is within .0035% of the requested value. Preferences are set at **Options / Preferences / Combinations**.

Single: This finds the closest single standard part value that approximates the RESISTANCE, CAPACITANCE, or INDUCTANCE value. Preferences are set at **Options / Preferences / Combinations**.

These last two options are similar to the Fit to Standard Values command.

Enabled check box: This shows the status of the device. You can enable or disable a part with this check box, from the Edit menu or by using the Enable  or Disable  tool bar buttons. A disabled part stays in the schematic but is not included in analyses, Bill of Materials reports, or SPICE netlist translations. Any object, including parts, text, and wires, can be enabled or disabled. To enable or disable a group of objects, drag select them with the mouse, then click on the Enable or Disable tool bar button.

Source of displayed model information: This shows the source of the displayed model information. It is usually either the model or text area of the circuit if localized, or a model folder and path if globally accessed. Editing model parameters always localizes them to a circuit model or text page.

Edit area: These fields let you edit model parameters, subcircuits, digital stimulus statements, or other model information.

Help bar: This area shows helpful information for the item under the mouse.

File link: Click on this link and the program executes the link. You can set the link to a local file, like an Adobe PDF data sheet, or to a URL link to the vendor's web site. The default URL link is `http://www.google.com/search?q="%s"+"data sheet"` which basically looks for a data sheet using the model name. The %s substitutes the model name.

Navigate buttons: These scroll through other parts in the circuit. Each click on the left or right navigate button will display another part of the same type. Each click on the up or down navigate button will display a different part type.

Model list box: This displays a list of available model names from the libraries. You can scroll through the list and choose a model by clicking on it.

Plot Selector: A plot is created by clicking the Plot button. This field lets you select from a list of characteristic plots for the device. Some devices have as many as three plots, while some have none.

Color button: This lets you change the component's color.

Change button: This lets you copy the displayed attribute value to the attribute fields of parts selected from a list. For example, you could use this command to change all 2N2222 model attributes to 2N3903.

Show check boxes: Adjacent to the Name and Value fields, these boxes let you control whether the selected attribute's name and value are displayed on the schematic. Normally the attribute name is not displayed and only some of the attribute values are. Typically, only the part attribute value (in this case 'J2') is displayed, although occasionally the model attribute value (in this case '2N3071') is also.

Adding wires to a schematic

Wires are added to a schematic by dragging the mouse from one point to another. If the mouse moves horizontally or vertically a straight wire is created. If it moves diagonally a corner is created.

First step: Click on the Wire mode button  in the Tool bar.

Second step: Point the mouse at the desired starting position and press and hold the left mouse button down.

Third step: Drag the mouse to the desired end point of the wire and release the left mouse button.

Several points are worth keeping in mind:

- The segment orientation of a two-segment wire can be changed by clicking the right mouse button before the wire is completed (before the left mouse button is released).

- Connections are indicated by a dot.



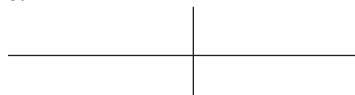
- If two wires are connected at their end points the wires fuse together and become one wire. The connection dot then disappears.



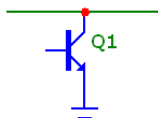
- If either end point of a wire touches another wire, the wires are connected.



- Wires that cross at interior points do not connect. An end point of a wire can connect only to another end point, a component lead, or an interior point of another wire.

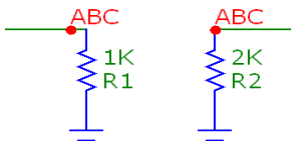


- A wire that crosses another wire's end point or a component's lead dot will connect to the wire or component lead.



- If the Node Snap option is enabled, wires will snap to the nearest node within a one grid distance. Although this is usually helpful with analog parts, it is sometimes a problem with dense digital connections on a one grid pitch. You may want to temporarily disable this option if you notice a wire end point jumping to an undesired location. The Node Snap option is enabled or disabled from **Options / Preferences / Options / Circuit / Node Snap**.


- Although wires are the principal method of interconnecting nodes, grid text may also be used. *Two nodes with the same piece of grid text placed on them are automatically connected together.* This feature is especially useful in cases where you have many components sharing a common node, such as analog VDD and ground nodes, or digital clock, preset, and clear nodes. In the figure below, R1 and R2 are in parallel, because they are each connected to a node named with the text ABC.



Naming is done by dropping a piece of text on a node or by double-clicking on a wire and changing its node name. Both procedures name the node.

- Holding the Shift key down *after* starting a wire forces the wire to stay horizontal or vertical, depending upon its principal direction prior to pressing the Shift key. It is necessary to press the Shift key *after* starting the wire, since pressing it *before* starting the wire would temporarily exit Wire mode and enter Select mode.
- While drawing a two-segment wire, clicking the *right* mouse button causes the junction between the segments to flip between the two possible corner positions.

Using the Bus

Bus mode  lets you place bus connectors in the schematic. Busses are convenient for drawing many wires at once, especially wires that are logically related as for example, data and memory sets in a CPU or RAM function. A typical bus connector looks like this:

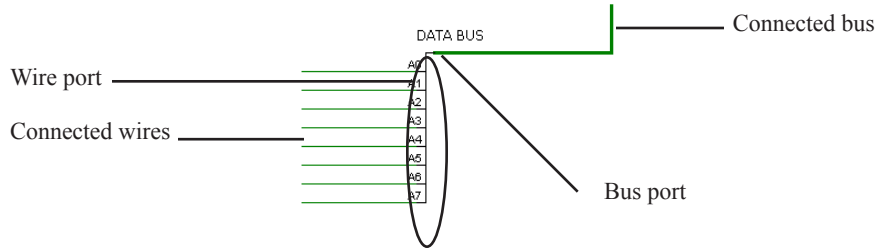


Figure 2-4 Typical bus connector

The connector has two ports, the wire port and the bus port. Pins are electrically connected to similar pins of other connectors attached to the bus.

To draw a bus, select Wire mode, then drag the mouse from another bus or from the bus port of a connector. Busses connect and rubberband just like wires.

Buses and their connectors may transport analog or digital signals, depending upon the type of component attached to their wires.

Placing a bus connector invokes the Bus dialog box, which look like this:

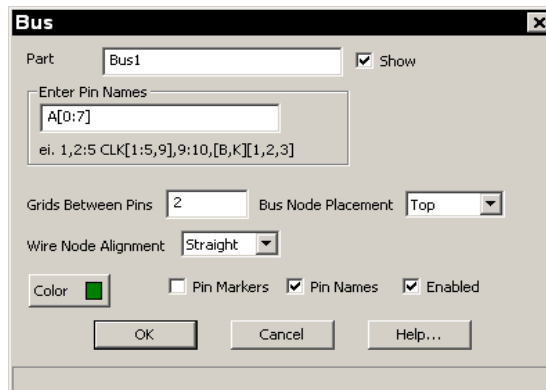


Figure 2-5 The Bus dialog box

The dialog box has these features:

Part: This field contains the bus connector name. A check box alongside lets you show or hide the name.

Enter Pin Names: This field contains the pin names, implicitly defining the number of separate wires / nodes for the bus connector. The names can be listed separately or using the indicated forms. For example:

A,B,C,D A four pin bus with pins labeled A, B, C, and D
A[1:4] A four pin bus with pins labeled A1, A2, A3, and A4
C[1:4,8,9] A six pin bus with pins labeled C1, C2, C3, C4, C8, and C9
0:7 An eight pin bus with pins labeled 0, 1, 2, 3, 4, 5, 6, and 7
[A,B][1,2] A four pin bus with pins labeled A1, A2, B1, and B2

Grids Between Pins: This specifies the number of grids between pins.

Bus Node Placement: This specifies where to place the bus connector name. There are three options; top, middle, and bottom.

Wire Node Alignment: This specifies how the wires will emerge from the connector. There are three options:

Straight: Wires emerge perpendicular to the connector.
Up: Wires slant in one direction.
Down: Wires slant in the opposite direction.

Color: This controls the connector color.

Pin Markers: This check box controls the display of pin markers.

Pin Names: This check box controls the display of pin names.

Enabled: This check box enables/disables the connector.

OK: This accepts the changes and exits the dialog box.

Cancel: This ignores the changes and exits the dialog box.

See ANIM3 for an example of how to use the bus in a circuit.

Adding and editing grid text

There are several kinds of text visible in a schematic. First, there is the attribute text of individual components. This type of text is created and edited from within the Attribute dialog box. The second kind of text is called grid text. Although grid text can be used for any purpose, its most important use is for naming nodes.

To add grid text to a schematic:

First step: Click on the Text mode button **T** in the Tool bar.

Second step: Click the mouse in the schematic where you want to add the text. A Text dialog box will appear. It offers the following options:

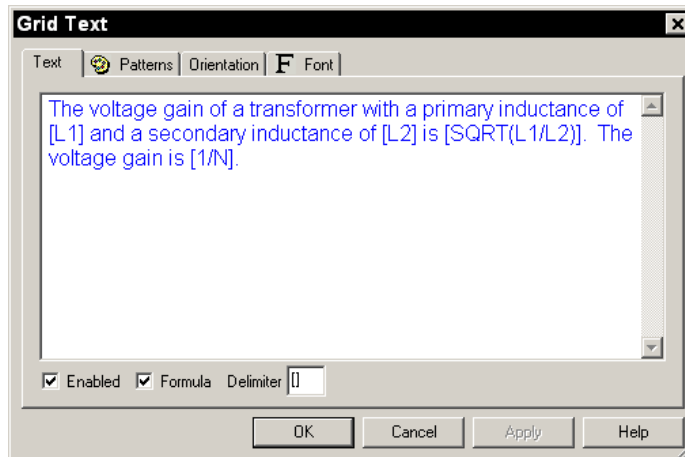


Figure 2-6 The Text dialog box

Command buttons

OK: This accepts user text entry or edits and places the new or edited text at the mouse site.

Cancel: This ignores any user edits and exits the dialog box.

Help: This accesses the Help system.

Options

Text: This lets you edit the text content.

Patterns: This lets you edit the text color, fill (background) color, and the border width and color.

Orientation: This lets you edit the print order / orientation. There are four choices. Normal specifies left to right order. Up specifies bottom to top order. Down specifies top to bottom order. Upside Down specifies right to left order and upside down orientation.

Font: This lets you edit the text font, size, style, and effects.

Stepping: These options are present only when adding text. They let you add multiple rows and/or columns of incremented text.

Instances X: This sets the number of rows of text.

Pitch X: This specifies the spacing in number of grids between rows of text.

Instances Y: This sets the number of columns of text.

Pitch Y: This specifies the spacing in number of grids between columns of text.

Stepping is used to name wires or nodes with grid text. For example, if you wanted sixteen names A0, ... A15 vertically arranged, you enter text of "A0", select Instances X = 1, Instances Y = 16, and Pitch Y = 2 (grids).

The stepping tab is present only when you place text. Later, when you edit a piece of grid text, it is absent since it not needed for editing.

Check boxes:

Enabled: This lets you enable or disable the text. Enabling is important only for command text like .DEFINE or .MODEL statements.


Formula: Checking this tells the program that the text contains a formula and that the expressions it contains are to be calculated.

Delimiter: This tells the program what character(s) are to be used to define or delimit the embedded expressions. Although any characters may be used, brackets [], or braces {} are recommended.

To add or edit existing text, select the Text panel of the dialog box. Type in or edit the text and press OK. To make a piece of text start on a new line place the insertion point text cursor at the desired position and press ENTER.

Grid text can be moved between text and drawing areas by selecting the text, then pressing CTRL + B. The display of the schematic window can be toggled between the text and drawing areas by typing CTRL + G.

To edit grid text:

First step: Click on the Select mode button  in the Tool bar.

Second step: Double-click the mouse on the text you want to edit. A dialog box will appear showing the selected text. Edit the text as desired.

Formula text

There are two varieties of schematic grid text that use formulas.

First Format

The first form is as follows:

=formula

Grid text of this form behaves like a small spreadsheet. The presence of the "=" at the first character position tells MC9 that the text is really a formula and that it should calculate the value of the formula every time there is any change to schematic text. For example, the following four pieces of text define three variables, L1, C1, and C2 and a piece of formula text:

```
.DEFINE C1 1N  
.DEFINE C2 1N  
.DEFINE L1 10U  
=2*PI/SQRT(L1*C1*C2/(C1+C2))
```

Note that these are individual pieces of text, not a single block of text. The formula text must be placed in the schematic, not the text area. The .define statements may be placed in either the text area or in the schematic.

The formula is for the resonant frequency of a Colpitts oscillator. Any change to any text updates the value and MC9 prints the following:

```
2*PI/SQRT(L1*C1*C2/(C1+C2))=88.858E6
```

Formula text is designed to provide a convenient way to automatically compute and display new design values from complicated formulas. For example, if you change the value of C1 to 10nF, MC9 prints a new resonant frequency as follows:

```
2*PI/SQRT(L1*C1*C2/(C1+C2))=65.899E6
```

Formula text can not be used in other expressions. To do that the formula must be defined with a symbolic variable name like this:

```
.DEFINE F0 2*PI/SQRT(L1*C1*C2/(C1+C2))
```

F0 could now be used in an expression or in a CAPACITANCE attribute.

Second Format

The second form is as follows:

text...[formula]...text

For example, if the following four pieces of grid text are entered,

.DEFINE L1 1U

.DEFINE L2 4U

.DEFINE N SQRT(L1/L2)

The voltage gain of a transformer with a primary inductance of [L1] and a secondary inductance of [L2] is [SQRT(L1/L2)]. The voltage gain is [1/N].


The last piece of text will actually appear as follows:

The voltage gain of a transformer with a primary inductance of 1u and a secondary inductance of 4u is 0.5. The voltage gain is 2.0.

In this example the delimiter characters are [and].

Formula text of this type is calculated only if the Text dialog box's Formula box is checked.

Adding and editing graphic objects

First step: Click on the Graphics mode button  in the Tool bar. A menu appears, listing the available graphic objects. Choose one of the objects by clicking on it. Drag the mouse in the schematic to create the object.

Graphic objects include the line, ellipse, rectangle, diamond, arc, pie, braces, and picture. All have handles which can be dragged to alter the size and shape of the object. Drag on a corner handle to change the size of the object. Drag on a non-corner handle to change the width or length of the object's bounding box. This lets you change the aspect ratio or relative shape of the object.

Double-clicking on a graphics object invokes a dialog box for editing the object.

If the object is a picture, a file dialog box will be presented. Select the name of the picture file, border and fill options, and then click on the OK button.

Here is an example of a circuit file with a JPG picture of Mona Lisa.

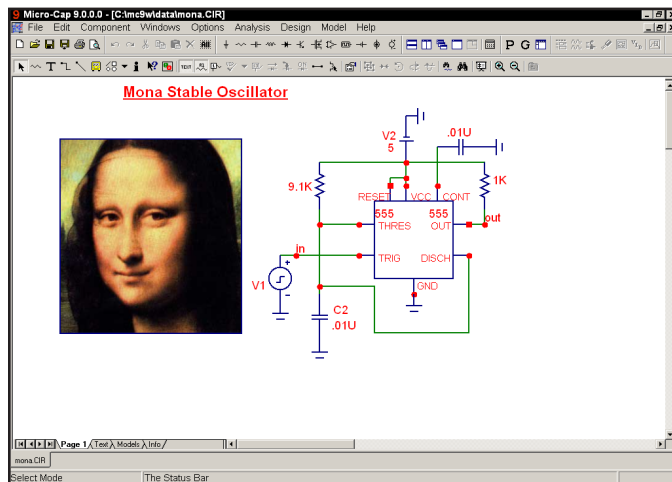


Figure 2-7 A circuit with a JPG file

MC9 can import or export (create) pictures in TIFF, JPEG, BMP, GIF, PNG, WMF, and EMF formats.

Adding and editing flags

First step: Click on the Flag mode button  in the Tool bar.

Second step: Click in the schematic at the position where you want to place the flag. A text box is presented. Type in the name of the flag and click OK.

To edit a flag, double-click on it and edit the name in the text box as desired.

Moving schematic objects

First step: Click on the Select mode button  in the Tool bar.

Second step: Select the object or group of objects.

Third step: Drag the selected object or group. Slide the mouse across the drawing to the desired location and release the mouse button. Be sure to drag within the body of the object, or within the selected region. If you don't, you will deselect whatever had been selected. If this happens go to the second step and try again.




Rotating schematic objects

To rotate a single object, click on it and hold the left mouse button down, then click on the right mouse button. Each click rotates the part 90 degrees. CTRL+R also rotates a selected object.

To rotate a group of objects follow the following procedure:

First step: Click on the Select mode button  in the Tool bar.

Second step: Select the object or group of objects.

Third step: Click on one of the three rotate buttons. The Flip X axis  button rotates about the horizontal axis in 180 degree increment. The Flip Y axis  button rotates about the vertical axis in 180 degree increments. The Z axis button  rotates about the Z axis (perpendicular to the schematic plane) in 90 degree increments, producing four distinct orientations. CTRL+R also rotates about the Z axis.

Stepping schematic objects

Stepping lets you define a rectangular region and then duplicate its contents a specified number of times. It is called stepping after the photolithographic term 'step and repeat' used in the semiconductor industry. This feature is most useful for creating highly repetitive circuit structures such as PLA, RAM, or ROM. The stepping procedure is as follows:

First step: Click on the Select mode button  in the Tool bar.

Second step: Drag the mouse to define a region containing the object or group of objects that you want to step. This creates a box encompassing the desired area. Normally, when you first create the box, you draw its boundaries just outside the area of interest, because if you touch one of the objects, you end up dragging it instead of creating the box. If you step with the box this way, you'll end up with unconnected sections due to the space between the objects and the original box boundaries. This is usually not what you want. The way around this is to use the box handles. These handles are on all four corners and each side of the box. After the initial box creation, the handles can be dragged to eliminate the spaces. This lets the stepping process create contiguous, connected sections.

Third step: Click on the Stepping button,  to invoke its dialog box.

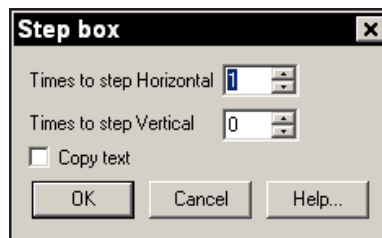


Figure 2-8 The Step dialog box


This dialog box lets you make three choices; the direction in which to step the box, the number of times to copy it, and whether or not you want to copy the box's grid text. All attributes of components found in the box are copied, except Part name, which is always incremented. Grid text, if copied, will be incremented if the Text Increment option in the Preferences dialog box is enabled.

Mirroring schematic objects

Mirroring lets you define a rectangular region called a box and then copy a reflected image of the box contents. The mirroring procedure is as follows:

First step: Click on the Select mode button  in the Tool bar.

Second step: Drag the mouse to define a region containing the object or group of objects that you want to mirror. This creates a box encompassing the desired area. Normally, when you first create the box, you draw its boundaries just outside the area of interest, because if you touch one of the objects, you end up dragging it instead of creating the box. If you mirror this way, you'll end up with unconnected sections due to the space between the objects and the original box boundaries. This is usually not what you want. The way around this is to use the box handles. These handles are on all four corners and each side of the box. After the initial box creation, the handles can be dragged so that the box has no spaces in it. This lets the mirroring process create a contiguous, connected copy.

Third step: Click on the Mirror button, . This invokes the Mirror dialog box.

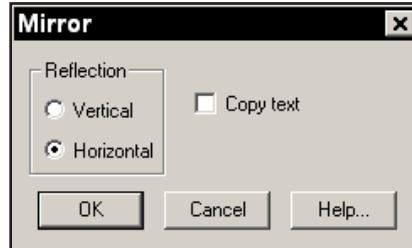


Figure 2-9 The Mirror dialog box

This dialog box lets you choose a vertical or horizontal reflection and whether or not you want to copy the box's grid text. A vertical reflection produces a copy vertically below the original region. A horizontal reflection produces a copy horizontally to the right of the original region. All attributes are copied except Part name, which is incremented. Grid text, if copied, will be incremented if the Text Increment option in the Preferences dialog box is enabled.

Deleting schematic objects


First step: Click on the Select mode button  in the Tool bar.


Second step: Select the object (component, text, wire, flag, or graphic object) to be deleted by clicking on it. To select multiple objects for deletion, hold the SHIFT key down while you click on each object. You can also select one or more objects by dragging the mouse to define a rectangular region (box). All objects within the box will be selected when the mouse button is released.

Third step: Press the Delete key to delete the object(s). Deleting in this fashion does not copy the deleted objects to the clipboard, so they will not be available for pasting to a new location. If you want to delete the objects and have them copied to the clipboard for a future paste operation, use the Cut command (CTRL + X).

The Delete key alone removes all selected wire segments entirely from one endpoint to another. CTRL + Delete cuts wire segments that cross the select region box exactly at the box boundaries.

The Undo and Redo commands

The Undo command undoes the effect of an operation. It is activated by pressing CTRL + Z, by clicking on the Undo button , or by selecting the **Undo** item from the **Edit** menu. Undo is available for most edits to text fields, schematics, shapes, and analysis plot objects. Changes available for undoing include editing, deleting, moving, rotating, reflecting, and stepping. Text edits are not reversible after the text cursor has been moved to another field. If a command is not reversible, you can still reverse its effects by saving the file prior to using the command, and then using the **Revert** option from the **File** menu to load the old version of the file stored on disk.

There is also a Redo command. It is activated by pressing CTRL + Y, by clicking on the Redo button , or by selecting the **Redo** item from the **Edit** menu. It is the complement of Undo.

These commands are multistage. They can undo/redo many times and are only limited by available memory.



Enabling disabling schematic objects

Schematic objects, including parts, text, and wires, can be enabled or disabled. Enabled objects are included in analyses, SPICE netlist translations, and Bill of Materials reports. Disabled objects are not included. Enabled objects are colored normally, while disabled objects are shown in gray. The disabled color is set from **Properties (F10) / Color/Font / Disabled**. To enable or disable an individual object, double click on it, and click the Enabled check box to the state you want.


Here is how you enable or disable schematic objects:

First step: Click on the Select mode button  in the Tool bar.


Second step: Select the object or group of objects.

Third step: Click on the Enable  or the Disable  tool bar button, or if you prefer, select the Enable or Disable item from the Edit menu. If the item is a single object, you can also double click on it and in the dialog box that comes up click the Enabled check box. A check means the object is enabled. No check means it is disabled.

The Enable function is useful when you want to temporarily remove text, wires, or circuitry to see the effect while retaining the disabled circuitry for future use.

You can also make the enablement of a region dependent upon expressions involving symbolic variables (those created with a .DEFINE or a .PARAM statement). This lets you switch blocks of circuitry back and forth by changing a single parameter. Use the Region Enable mode, at **Options / Mode / Region Enable**, or click on the Region Enable tool bar button  to define a region and then its enabling expression. To change the expression click on the expression text within the Region Enable box.

Node number assignment





MC9 automatically assigns numbers to the circuit nodes when an analysis is requested, when the circuit is saved to disk, or when any change is made to the circuit and the **Options / View / Node Numbers**  option is active. Node numbers are displayed on the schematic only when this option is enabled. When you want to plot or print a node's voltage waveform you refer to the waveform as V(node name), where the node name may be either the node number assigned by the program or a text name assigned by you. For MC9 to associate the node names with the node, the lower left corner of the text outline box must be placed directly on the node. Node Snap, if enabled, makes this easier by moving the text to the nearest node within one grid. The Node Snap option is selected from the Preferences dialog box (CTRL + SHIFT + P).

The system assigns and displays node numbers according to the following rules:

1. Ground is node number 0, but its node number is never displayed.
2. The other nodes are numbered from 1 to the highest node number.
3. When an analog node and a digital node touch, or are connected by a wire, both nodes are assigned a unique number. The program automatically inserts an interface circuit between the two nodes. The interface circuit generates an interface node of the form <num>\$ATOD or <num>\$DTON depending upon whether the digital node is an input or an output, respectively. If the interface node is accessible (can be referenced in a plot expression), it will be printed on the schematic. In general, interface nodes between analog parts and digital primitives are accessible unless they occur at a subcircuit interface.
4. Analog node numbers are displayed in a box with rounded corners while digital node numbers are displayed in a box with square corners.
5. Nodes with the same grid text node name are connected together. That is, if two separate nodes each have a piece of identical grid text placed on them, they are considered to be connected and will share the same node name. This provides a convenient way of connecting large numbers of common nodes, without having to use wires to connect them.

The clipboard

The clipboard is a temporary storage area that is used to save schematic or text fragments, as a prelude to pasting them to a new location. It is an invaluable tool for editing schematics or text, and can save considerable time. The clipboard commands are as follows:

	Command	Shortcut key	Effect
	Clear	DELETE	Deletes the selected object without copying to the clipboard.
	Cut	CTRL + X	Deletes the selected object and copies it to the clipboard.
	Copy	CTRL + C	Copies the selected object to the clipboard.
	Paste	CTRL + V	Pastes the clipboard contents to the last mouse click location.

To copy something to the clipboard, select the object or drag select a region. Press CTRL + C or click on the Copy button. All selected objects will be copied to the clipboard.

To paste the clipboard contents, first click at the desired location. Then press CTRL + V or click on the Paste button. The entire contents of the clipboard will be pasted into the schematic or text area at the site of the last mouse click.

Like most other operations, the clipboard actions can be undone by using the Undo command. Simply choose **Undo** from the **Edit** menu, press CTRL + Z, or click on the Undo button to undo the operation.

MC9 maintains two separate clipboards: a text box clipboard and a schematic clipboard. Text copied from a text box will not mix with text copied from the schematic. Text from the text area of a schematic is regarded as schematic material and is stored to or copied from the schematic clipboard. Thus, it is possible to copy text from the text area and paste the same text to the drawing area. Of course, the shuttle command, CTRL + B does this directly. Schematic objects saved to the clipboard are available only for use within MC9 and cannot be pasted to other applications. To export schematic pictures or plots, use the **Copy the Entire Window to a Picture File** command on the **Edit** menu.

Drag copying

Copy and paste works well when you want to duplicate a part of a circuit, but there is another, often easier, option called drag copying. It works as follows:

- Select a circuit object or region to be duplicated.
- Press and hold the CTRL key down.
- Drag on any item in the selected area.

This procedure copies the selected objects and drags the copy along with the mouse, leaving the original objects undisturbed. As with other copying operations like stepping, mirroring, and pasting, part names are always incremented, but grid text is incremented only if the Text Increment option (Preferences) is enabled.

Drag copying can be used on any schematic object, whether it is a component, wire, graphics object, flag, or piece of text.

Drag copying is especially convenient since it replaces the two step process of cut and paste with a simple one step operation with immediately visible results. If you don't like the result, press CTRL + Z to undo it and try again.

After the drag operation has begun, you can release the CTRL key and continue dragging.

Drag copying is often a convenient method for adding new components. If you want to add another 10K resistor, and a 10K already exists in the schematic, drag copying is fast and easy. For example, the standard process consumes four steps:

1. Enter Component mode.
2. Select Resistor.
3. Click in the schematic.
4. Enter the resistor RESISTANCE and (sometimes) MODEL attributes.

The drag method uses one step:

1. CTRL + drag a 10K resistor to the new location.

Drag copying is especially useful when an entire region, like the differential stage of an amplifier, can be copied. Even if some editing of the copied region's objects is required, the entire process is usually simpler, faster, and less error prone.

The Info command

The Info command displays model information about a command statement or a component. It works like this:

First step: Click on the Info mode button  in the Tool bar.

Second step: Click on the command or component.

The Info function will provide some information for all components and some command statements. It generally provides information that is not easily visible, such as a subckt listing or a model statement from an external file, a digital source stimulus table, or a Laplace or Function source data table. For simpler components without model statements, the Info function usually invokes the Attribute dialog box.


Text information found in the schematic is highlighted and shown as a part of the schematic. Other information is displayed in the Model editor or the Text editor.

For the .INCLUDE and .LIB command statements, Info displays the contents of the file referenced in the command statements.

If the information is found in the text area, the Info command switches to it and displays the information. To return to the schematic page, press CTRL + G.

The Help command

In addition to the general Help command, there is a component specific Help mode. Here is how it works:

First step: Click on the Help mode button  in the Tool bar.

Second step: Click on the component for which you want help.

The Help function provides parameter and syntax information for every component. This is the same information available from the Help system. It is just a little easier to access in the context of working with the Circuit editor.

The Digital Path commands

One of the most important properties of digital circuits is path delay. Path delay is how long a signal takes to propagate through each of the many possible paths in a circuit. MC9 provides several related commands for analyzing and displaying these paths. These commands do three things:

- Identify and list the gates involved in the paths.
- Show the delay of each path, calculated from the individual delays of the gates in the path list.
- Graphically show selected paths on the schematic by highlighting the gates in the selected path.

There are three digital path commands:



1. Point to End Paths: This shows all paths from the component at the point of a mouse click to the end points. A path ends when a gate does not drive another standard or tristate gate.



2. Point to Point Paths: This shows all paths from the point of the first mouse click to the point of the second mouse click.



3. Show All Paths: This shows all paths in the circuit starting on STIM, FS-TIM, or flip-flop outputs and ending when a gate in the path does not drive another standard or tristate gate.

The procedure to use these commands is as follows:

First step: Select one of the three commands from the **Options** menu.

Second step: For the Point to End command, click on the body of a gate or stimulus component. For the Point to Point command, click on the starting component and on the ending component.

At this point, MC9 shows a list of paths appropriate to the chosen command in the Digital Path dialog box. It typically looks like this:

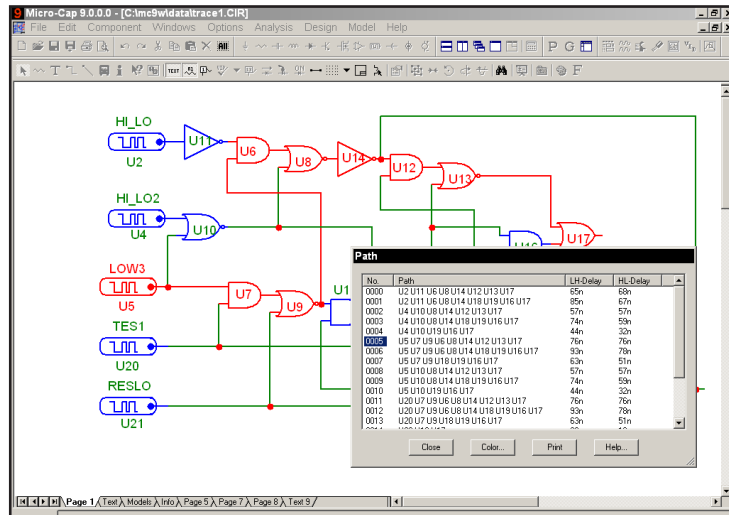


Figure 2-10 The Digital Path dialog box

Scroll through the list and click on a path and MC9 will redraw the schematic and highlight the path. You can use the DOWN ARROW key to trace each path in the list from top to bottom.



For each path, the path list shows the name of each gate in the path, and the total delay through the path for the low to high and high to low signal transitions at the path start. To calculate the LH delay, the program assumes a low to high transition at the path start. It then traverses the path, summing the delays using the actual signal transitions at each gate, the gate's timing model, and the gate's MN-TYMXDLY value. To calculate the HL transition, the program assumes a high to low transition at the path start and performs a similar analysis.

A path ends when any gate in the path does not drive a standard gate or a tristate gate. Path commands handle combinatorial gates only. Subcircuits are not expanded.

Navigating schematics


Navigating means being able to quickly display the part of the schematic you are interested in. There are several methods to accomplish this:

Schematic scrolling: Scroll the schematic using the vertical or horizontal scroll bars. This is the conventional method. It is slow but sure.

Scaling: Use the Zoom-Out  or Zoom-In  buttons in the Tool bar to resize the schematic and get your bearing.

Panning: Pan the schematic. Panning means to move the view to a different part of the circuit. In keyboard panning you use CTRL + <CURSOR KEY> to move the view in the direction of the cursor key arrow. In mouse panning you click and hold the right mouse button, while dragging the mouse. The effect is like sliding a piece of paper across a desktop.

Centering: Use the SHIFT + right click method to re-center the view. While holding down the Shift button, click the right mouse button at the point you want centered in the window. Clicking toggles the scale between 1:1 and 1:4 and centers the schematic at the mouse position.

Flagging: Place flags at locations you expect to revisit. Then select a flag from the Select Flag dialog box which is accessed from the Tool bar  or from the **Go To Flag** item on the **Edit** menu.

Page scrolling: Use the Page tabs if the desired area is on another page. You can also use CTRL + PGUP and CTRL + PGDN to navigate the pages.

Although users are encouraged to adopt the method that works best for them, each method tends to work best in different circumstances. For small to medium view changes, use panning. For large changes in medium size schematics, use centering, or for very large changes in very large schematics, use flags.

Global Settings

These numeric values and options control device model and circuit analysis options. Some of these definitions can be found in the individual device models:

Numeric Options:

ABSTOL: Absolute current tolerance. This venerable SPICE parameter specifies the absolute tolerance to be added to the relative current tolerance. Together, their sum must exceed the difference in successive solution values for each current in the circuit to achieve convergence at a particular solution point. Increasing ABSTOL often helps to converge high current devices.

CHGTOL: Absolute charge tolerance. This parameter is like ABSTOL but applies only to charge variables.

CSHUNT: If nonzero, a capacitor of this value is added from each node to ground as an aide to transient convergence.

DEFAD: MOSFET default drain area in sq-m.

DEFAS: MOSFET default source area in sq-m.

DEFL: MOSFET default channel length in m.

DEFNRD: MOSFET default drain squares in m.

DEFNRS: MOSFET default source squares in ohms.

DEFPPD: MOSFET default drain periphery in m.

DEFPS: MOSFET default source periphery in m.

DEFW: MOSFET default channel width in m.

DIGDRVF: Minimum drive (forcing) resistance for digital IO models

DIGDRVZ: Maximum drive (high impedance) resistance for digital models

DIGERRDEFAULT: Default maximum error message limit for individual digital constraint devices

DIGERRLIMIT: Default maximum error message limit for all digital devices during each analysis run

DIGFREQ: The minimum digital time step is $1 / \text{DIGFREQ}$.

DIGINITSTATE: Initial state of flip-flops and latches: 0=clear, 1=set, 2=X.

DIGIOLVL: Default digital IO level, 1 to 4. Specifies one of four DtoA and AtoD interface circuits.

DIGMNTYMX: Specifies the default digital delay: 1=Min, 2=Typical, 3=Max, 4=Min/Max.

DIGMNTYSCALE: Specifies scale factor used to calculate unspecified minimum delays from specified typical delays.

DIGOVRDRV: Minimum ratio of drive resistances for one gate to overdrive another driving the same node.

DIGTYMXSCALE: Specifies scale factor used to calculate unspecified maximum delays from specified typical delays.

GMIN: Specifies the minimum branch conductance.

ITL1: Operating point iteration limit before supply relaxation is attempted.

ITL2: DC transfer curve iteration limit for each point of the DC sweep.

ITL4: Transient analysis iteration limit for each time point.

LONE: This is the value produced by a logical expression when the expression is TRUE.

LTHRESH: This is the voltage that must be exceeded for a logical boolean function to emit an LONE state. For example, the expression $V(1) \& V(2)$ will be TRUE and produce an analog value of LONE only if $V(1) \geq V\text{THRESH}$ and $V(2) \geq V\text{THRESH}$.

LZERO: This is the value produced by a logical expression when the expression is FALSE.

PERFORM_M: This is the number of data points on each side of a data point that must satisfy a performance function search criteria before the data point is accepted. It is used to minimize the effect of noisy data.

PIVREL: Minimum relative value required of a pivot in the matrix solver.

PIVTOL: Minimum absolute value required of a pivot in the matrix solver.

RELTOL: This parameter sets the relative voltage and current tolerance. Successive solution values for each iterated voltage or current variable in the circuit must be less than the sum of the relative and absolute tolerances to achieve convergence at a solution point. Increasing or decreasing RELTOL is occasionally required to converge difficult circuits.

RMIN: This is the minimum absolute value of the resistance of a resistor or an active device lead resistance, (e.g. BJT RB, RE, and RC).

RP_FOR_ISOURCE: If nonzero, a resistor of this value is added across all current sources.

RSHUNT: If nonzero, a resistor of this value is added from each node to ground as an aide to DC operating point and possibly transient convergence.

R_NODE_GND: This is the resistance added from node to ground when the Add DC Path to Ground option (Options / Preferences) is enabled and a node needs a path to ground. A value of 0 means no resistor is added.

SD: This is the number of standard deviations in the tolerance band.

SEED: This is the seed number for the RND, RNDR, RNDC, and RNDI(t) random functions. If SEED is >0 the random numbers are the same with each usage of the function.

TNOM: Default model parameter measurement and analysis temperature.

TRTOL: This is the amount by which the standard LTE formulas are presumed to overestimate the true error.

VNTOL: Absolute voltage tolerance. This parameter specifies the absolute voltage tolerance to be added to the relative voltage tolerance. Together, their sum must exceed the difference in successive solution values for each

iterated voltage in the circuit to achieve convergence at a particular solution point. Increasing VNTOL is useful in converging high voltage devices.

WIDTH: Controls output column width.

Check Box Options:

NOOUTMSG: This disables the creation of output warning messages.

NUMERIC_DERIVATIVE: If enabled, this flag causes MC9 to use numeric derivatives in lieu of algebraic formulas for function sources.

PRIVATEANALOG: If enabled, all analog devices have private model libraries. A device can have a private copy of its model library or a public copy. If the copy is private, alterations made to the model values by stepping, optimization, or Monte Carlo features affect only the one device. If the copy is public, it will be shared by all analog parts with the same model name and changes made to the model values by the stepping or Monte Carlo features affect all devices which share the copy. The presence of a DEV tolerance in a model statement forces a private copy, regardless of the state of the PRIVATEANALOG flag. The default value for this option is enabled.

PRIVATEDIGITAL: If enabled, all digital devices have private model libraries. A device can have a private copy of its model library or a public copy. If the copy is private, alterations made to the model values by stepping, optimization, or Monte Carlo features affect only the one device. If the copy is public, it will be shared by all digital parts with the same model name and changes made to the model values by the stepping or Monte Carlo features affect all devices which share the copy. The presence of a DEV tolerance in a model statement forces a private copy, regardless of the state of the PRIVATEDIGITAL flag. The default value for this option is disabled.

TRYTOCOMPACT: If enabled, this flag causes MC9 to compact the past history of lossy transmission line input voltages and currents.

Method Options:

GEAR: If enabled, selects Gear integration.

TRAPEZOIDAL: If enabled, selects trapezoidal integration.

The File menu

The **File** menu provides commands for the management of schematic circuit files, SPICE circuit files, document text circuit files, and model library files.



- **New: (CTRL + N)** This command invokes the New dialog box to create a new schematic, SPICE or text, binary library, or Model Program file.



- **Open: (CTRL + O)** This command invokes the Open dialog box to load an existing file from the disk.



- **Save: (CTRL + S)** This command saves the active window file to disk using the name and path shown in the title bar.

- **Save As:** This command saves the active window file to disk after prompting the user for a new file name and (optionally) a new path.

- **Protect:** This option saves a file with a user-defined password in an encrypted format. Thereafter, the file can only be opened for viewing / editing if the password is supplied. Protected files can still be simulated or used as macros in other circuits without requiring the password. Use this option to protect proprietary circuit or macro files that may contain sensitive material. To remove the protection, use the Save or Save As commands, which saves the file in standard text format without encryption.

- **Paths:** This option lets you specify default paths for DATA (circuits and output files), LIBRARY (model libraries), PICTURE (picture files), and DOCUMENT (Reference Manual, User Guide, and other information files). If more than one path is specified, they must be separated by a semicolon (;). MC9 first looks locally in the circuit for model data. It searches LIBRARY paths next, scanning multiple paths in left to right order. See Chapter 24, "Libraries" for more information on paths. Note that local .PATH commands, within the circuit can be used to specify different paths. Chapter 26, "The Command Statements", has more information on the .PATH commands.

The Path dialog box looks like this:

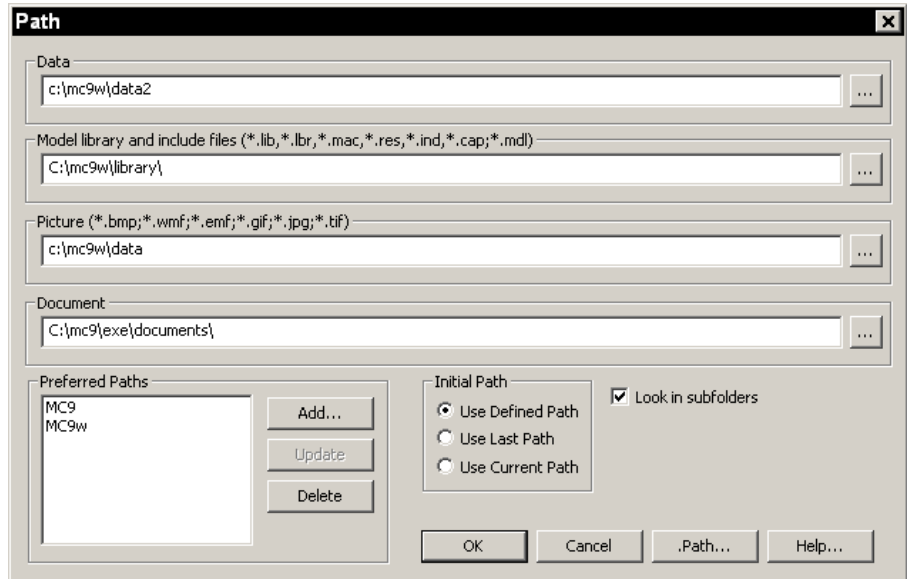


Figure 2-11 The Path dialog box

This dialog box provides these options:

Data: This field specifies the DATA path. This path is used mainly for circuits, source data files, and output files.

Library: This field specifies the LIBRARY path. This path is used mainly for model files. This includes binary (*.LBR), text (*.LIB), Model program (*.MDL), and macro (*.MAC) files.

Picture: This field specifies the PICTURE path. This path is used for picture files.

Document: This field specifies the DOCUMENT path. This path is used for the Reference Manual, User Guide, and other information files.

Each field may have one or more paths, separated by semicolons, with the leftmost paths having higher priority when searching.

Preferred Paths: This group lets you select or manage the path sets.

List box: This field lets you select a path set.

Add: This defines a new path set name for the current set of displayed paths.

Update: This updates the selected path set name with the current set of displayed paths.

Delete: This deletes the selected path set name.

File Dialog Initial Path: This group lets you decide what folder the File Open dialog box uses for its initial display.

Use Defined Path: This employs the path fields.

Use Last Path: This employs the last path used in a file open operation.

Use Current Path: This employs the path of the displayed file.

Look in Subfolders: This option causes the program to search in any subfolders within the specified paths.

OK: This accepts changes and exits the dialog box.

Cancel: This ignores changes and exits the dialog box.

.PATH: This adds new or replaces existing .PATH commands in the top, or displayed circuit.

Help: This explains how to use the dialog box.

- **Cleanup:** This lets you remove clutter by deleting many working files created by Micro-Cap but usually of secondary importance. The most common files that need frequent deleting are the numeric output files (*.TNO, *.ANO, and *.DNO) and the probe data files (*.TSA, *.ASA, and *.DSA).

- **Migrate:** This lets you migrate selected files from an earlier version of Micro-Cap. After you specify the location of an older MCAP.DAT file, MC9 reads it and makes a list of appropriate files that can be optionally copied to suitable Micro-Cap 9 locations.

- **Translate:**



- **Binary Library to SPICE Text File:** This command translates a binary MC9 library parameter file, FILE.LBR, into a text file, FILE.LIB, containing model statements.



- **SPICE Text File to Binary Library:** This command translates a SPICE text file, FILE.LIB, containing model statements, into a binary MC9 library parameter file, FILE.LBR.



- **Schematic to SPICE Text File:** This command creates a SPICE netlist from the active schematic. Any or all analyses may be specified and several types of SPICE formats may be specified.

- **Schematic to Printed Circuit Board:** These commands create netlist files to be used as input to the Protel, Accel, OrCad, or PADS.

- **Schematic to Old Version:** These commands translate the current schematic file to older formats. For example, if you want to simulate a circuit created with MC9 using MC5, MC6, MC7, or MC8, you would use these commands. MC9 can read any of the older formats, though saving a file in MC5 format, and then reading it back with MC9 will lose some of the MC9 specific options in the original file.

- **Bill of Materials:** This command creates a bill of materials for the schematic listing part name, type, value, quantity, and other attributes. This option also lets you format and arrange the order of the items that are to be printed.

- **Model to SPICE File:** This option converts MODEL program data files into SPICE style model statements in a SPICE text file.

- **IBIS to SPICE File:** This accesses the IBIS dialog box which creates equivalent SPICE models from IBIS files. It also creates a SPICE file to run a transient simulation on the output buffers in either Standard Models format or Golden Waveforms Check format.

- **Touchstone Files:** This option converts Touchstone file parameters from S, Y, Z, G, H, T, or ABCD (Cascade) format to any other format (S, Y, Z, G, H, T, or ABCD).

- **Load MC File:** This command loads a circuit numeric output file and scans it for references to Monte Carlo performance function error reports. It then creates the circuits which caused errors during the Monte Carlo run, showing each circuit with parameter values which caused failure. Failure means not meeting a performance function limit (like rise time or delay) specified in the original Monte Carlo run.



- **Revert:(CTRL+Alt+R)** This command restores the file in the active window to the one currently on disk.

- **Close: (CTRL+F4)** This command closes the active file. This means it removes it from the MC9 memory but not from the disk. It will optionally ask if you want to save any changes on disk. You can disable this query in **Options / Preferences / Warnings / File**.



- **Print Preview:** This option previews what the printed schematic, analysis plot, 3D plot, performance plot, or Monte Carlo plot will look like with current print options. It also lets you select, move, and resize the schematic and plot.



- **Print: (CTRL+P)** This command prints a copy of the document shown in Print Preview in accordance with the instructions in Print Setup.



- **Print Setup:** This option changes the printer settings and paper choices. Its format will vary with different printers, but usually it lets you specify a particular printer to use and the paper size, source, and orientation.

- **Recent Files:** This is a list of the most recently used files. You can reload or display any one of them by clicking on its file name. The number of files displayed is set by from **Preferences / Options / General / File List Size**

- **Exit: (ALT+F4)** This exits Micro-Cap 9.

The Edit menu

This menu provides the following options. Equivalent tool bar buttons appear next to the commands below.



- **Undo: (CTRL + Z)** MC9 has a multistage undo. It can undo the last N operations that change a circuit file. N is limited only by RAM memory and is usually greater than 20. Undo can also restore the last state of a text field, if the text cursor is still in the field.



- **Redo: (CTRL + Y)** Redo operates in the opposite direction of Undo. It restores the prior circuit state. Like Undo, it can redo the last N operations that change a circuit file.



- **Cut: (CTRL + X)** This command deletes the selected objects and copies them to the clipboard. Objects include text field text and schematic objects.



- **Copy: (CTRL + C)** This command copies selected objects to the clipboard. Objects include text from text fields and schematic objects.



- **Paste: (CTRL + V)** This command copies the contents of the clipboard starting at the current cursor position. If a group of characters in a text field is currently selected at the time of the Paste operation, they are replaced with the text in the clipboard. If the front window is a schematic, the paste is done from the last point in the schematic where the mouse was clicked.




- **Clear: (DELETE)** This command deletes the selected items without copying them to the clipboard. This command deletes selected wires from their end points.

- **Clear Cut Wire: (CTRL + DELETE)** This command deletes selected wires by cutting them exactly at the sides of the select box.



- **Select All: (CTRL + A)** This command selects all objects in the current window or all text in the current text field or document.

- **Copy to Clipboard:** This command copies all or part of the visible portion of the front window in graphics format to the clipboard. The picture in the clipboard may then be imported via pasting to other programs, such as Word or Excel.

You can't paste a *clipboard picture* to MC9, though you can import a picture *file* to MC9 using the **Picture** item from the **Mode** part of the **Options** menu, or by clicking on the graphic  icon. Select Picture, then drag or click in the schematic and MC9 prompts for the picture file name.

- **Copy the Entire Window to a Picture File:** This creates a picture file from the front window which can be imported into MC9 or other programs.



- **Enable:** This enables the selected circuit region.



- **Disable:** This disables the selected circuit region.



- **Add Page:** This adds a new schematic page to the circuit.



- **Delete Page:** This deletes one or more schematic or text pages.

- **Add Macro Section:** This adds a new macro section to the schematic.



- **Localize Models:** This localizes circuit model data by copying macros, subckts, and model statements from the libraries to the circuit. It is a handy way to embed model information in the file prior to sending a the circuit to a colleague who may not have your models. It can also serve as a refresh step, restoring model information from the master libraries in case you have edited the models and want to restore them.

- **Box:** These commands affect objects enclosed in the selected "box" region.



- **Step Box:** This steps all objects within the selected region vertically or horizontally (or both) a specified number of times.



- **Mirror Box:** This creates a horizontal or vertical mirror image of the objects enclosed in a selected region.



- **Rotate: (CTRL + R)** This performs a counterclockwise rotation of the objects in a selected region.



- **Flip X:** This flips the objects in a selected region about the X-axis. The X-axis is defined as the horizontal line that bisects the selected region.



- **Flip Y:** This command flips the objects in a selected region about a Y-axis. The Y-axis is the vertical line that bisects the selected region.

- **Make Macro: (CTRL + M)** This makes a macro from the circuitry inside of the current box region. It gathers it into a new circuit, labels the pin names, saves the macro under a name you choose, records an entry in the macro components library file, MACRO.CMP, and replaces the circuitry within the box region with an adjustable symbol representing the circuitry. After the macro command, the circuit will simulate just as before, but the schematic will have less clutter.

- **Change:** These options let you change several attribute features:



- **Properties: (F10)** This accesses the Properties dialog box for the current window. From here you can change the color of features such as wire or component color. Changes affect all objects.

- **Graphic Object Properties:** This accesses the Properties dialog box for the graphic objects line, ellipse, rectangle, diamond, arc, braces, and pie. From here you can change the default properties like color, fill, and pattern. The changes affect the *next* graphic object added. To change an individual object's properties, double click on it and edit the property.



Attributes: This lets you change the display status of the five main attributes of *all* components in the circuit, *en masse*.

Tolerance: This lets you change the tolerances of one or more parts

Apply Display Properties: This command copies the display properties of a selected part to all other parts with the same component name. It could be used, for example, to make all resistors blue and use Arial 12 point font for the RESISTANCE attribute and Courier 14 point font for the PART attribute. To apply it, edit a part to appear the way you like it, then use this command to make all other similar parts appear the same.



Color: This lets you change the color of *selected* parts, text, and wires.



Font: This lets you change the font of *selected* grid text and parts.

Rename Components: This renames all parts using standard naming conventions and reorders the parts to make the node numbers flow from left to right and top to bottom. It updates the part names in analysis plot expressions, so R(RX) changes to R(R5) if the part name is changed from RX to R5. It does not update node numbers in analysis expressions, however, so these must be changed manually.

Rename Defines: This command renames all .defined symbolic names where conflicts exist between the symbol name and predefined names.

Reset Node Positions: The relative printing position of the node number, node voltage, current, power, and condition can be changed by dragging its text. This command restores their original default positions.

Fit to Standard Value: This lets you fit all of the resistors, capacitors, and inductors in the circuit to a single standard value or to a series / parallel combination of standard values. The dialog box looks like this:

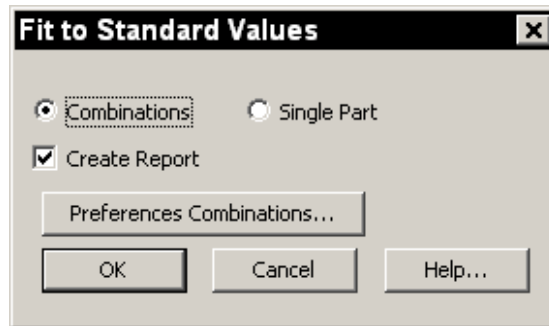


Figure 2-12 The Find dialog box

This dialog box provides several options:

Combinations: This finds the best series / parallel combination of standard part values that approximates the resistance, capacitance, and inductance values. For example, a capacitance of 50.45pF becomes:

$$50.435\text{p} = (120\text{p}+87\text{p}) (e=-0.02973\% n=2)$$

This means the closest value is achieved with a 120pF capacitor in series with an 87pF capacitor. The resulting value is 50.435pF, which is within 0.02973% of the original value. New values are assigned to the RESISTANCE, CAPACITANCE, or INDUCTANCE, and COMBINATION is set to the construction formula. Its syntax is:

v1 + v2 means the series combination of v1 and v2

v1 | v2 means the parallel combination of v1 and v2

v1 + (v2 | v3) means the series combination of v1 and the parallel combination of v2 and v3.

$(v1 + v2) \parallel (v3 + v4)$ means the series combination of $v1$ and $v2$ in parallel with the series combination of $v3$ and $v4$.

Single Part: This finds the closest single part value that for the RESISTANCE, CAPACITANCE, or INDUCTANCE.

The Report option shows a summary of the choices made. The part files to use, maximum error, and maximum series, parallel, and total parts to use are controlled at **Options / Preferences / Combinations**.



• **Bring to Front:** A click on a stack of overlapping objects selects the front object in the stack. This command makes the selected object the front object.



• **Send to Back:** This command makes the selected object the back object.



• **Next Object:** This selects the next object in an overlapping stack



• **Go To Flag:** This command invokes the Go To Flag dialog box. It lets you reposition the display on a flag. Select a flag and click on the OK button and the program redraws the schematic, with the selected flag at the center of the display. This item is enabled only when there are flags in the schematic.



• **Find: (CTRL + F)** This invokes the Find dialog box, which is used to search the circuit window for a variety of objects, including part names, node names, attribute text, component type, and grid text. It looks like this:

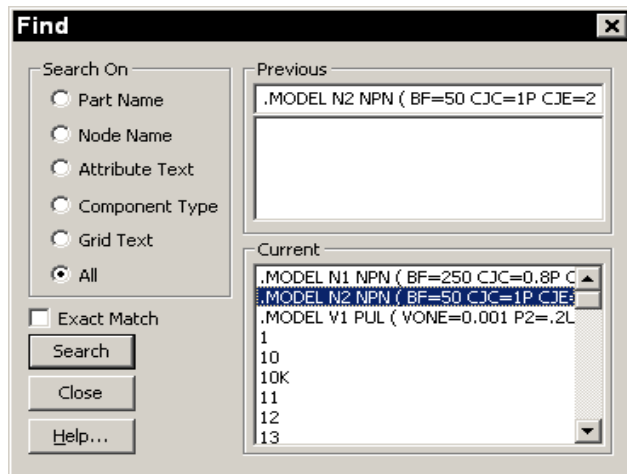


Figure 2-13 The Find dialog box



- **Repeat Last Find: (F3)** This command repeats the search and finds the next object in the circuit that matches the search criteria.
- **Replace:** This option replaces text in a text document or in the text area of a schematic. The replace function for schematic attributes is done from the Attribute dialog box using the Change button.
- **Find in Files:** This command invokes the Find in Files dialog box, which is used to search the disk for files. You can search for a specific piece of text (e.g. integrated Z80 mind warp generator), shape names (e.g. NOR3, OP9), definition names (e.g. NPN, Resistor), component names (e.g. 2N2222A, 1N914,) or any attribute value (e.g. 2.4K, TO5). The principal purpose of this command is to find a circuit whose name has been forgotten, but some small part of its content is still known (e.g. I remember I used a 2N4124 in it).

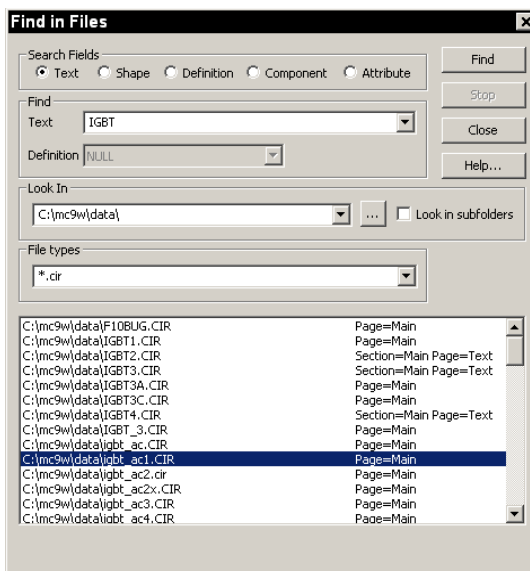


Figure 2-14 The Find In Files dialog box

You can search any kind of text file in any folder. It need not be a circuit file.

The Component menu

This hierarchical menu shows the contents of the Component library. The library was created and can be edited by the Component editor, although most users will not need to do much editing. One part of the menu looks like this:

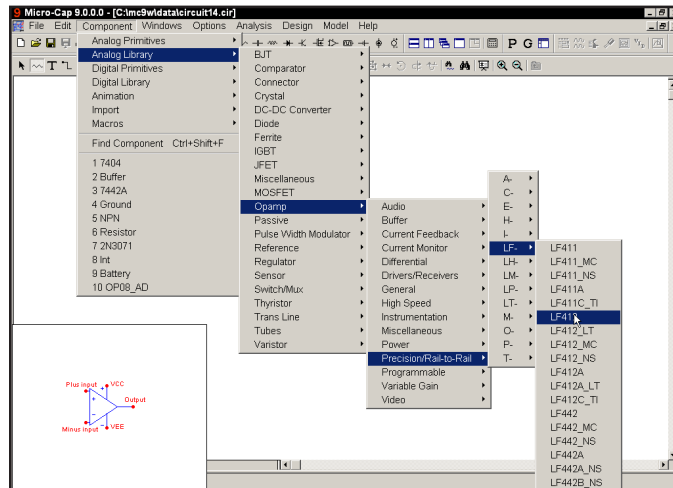


Figure 2-15 The Component menu

The Component menu lets you select a component for placing in the schematic. It is designed to provide easy access to any of the more than 20,000 parts in the library. Access to more common generic parts is best done from a Component palette or a Component button. The menu contains these sections:

Analog Primitives: This section has generic analog components for which the user supplies the values or model statements that define their electrical behavior.

Analog Library: This section has models for commercial analog components. The values or model statements that define their electrical behavior are provided in the Model library.

Digital Primitives: This section has generic digital components for which the user supplies the values or model statements that define their electrical behavior.

Digital Library: This section has models for commercial digital components. The values or model statements that define their electrical behavior are provided in the Model library.

Animation: This section contains objects which change their display or respond to user clicks during a simulation. The objects include meters, seven-segment displays, LEDs, and a variety of digital and analog switches. They work with the Dynamic DC, Dynamic AC, and Animate modes.

Import: This section is a temporary holding bay for Component library data from parts that have been imported from circuits. Once a part has been imported, its name appears on the Component menu and is available for placement in other circuits. Part names can be dragged from here into other sections of the library.

Filters: This section is present if filter macros have been created by the filter design feature, accessible from the **Design** menu.

Macros: This section is present if macros have been created by the Make Macro command, accessible from **Edit / Box / Make Macro**.

Find Component: (CTRL + SHIFT + F) The Find Component command lets you search the Component library for a part by its name, shape, definition, or memo field. It look like this:

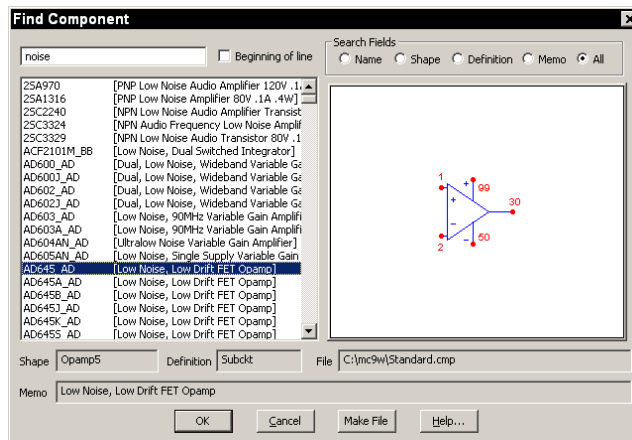


Figure 2-16 The Find Component dialog box

To select a component for placement, use the cursor keys or click the mouse on one of the parts on the Component menu items. When you select a component, MC9 automatically changes the tool mode to Component. To actually place the component, click the left mouse button in the schematic, or click and drag the component to where you want it to be placed. To rotate the component, click the right button before the left button is released.

Last Used: This part of the menu shows recently selected parts.

The Component panel

Beginning with MC9 there is an additional way to access components from the library, the Component panel. It looks like this:

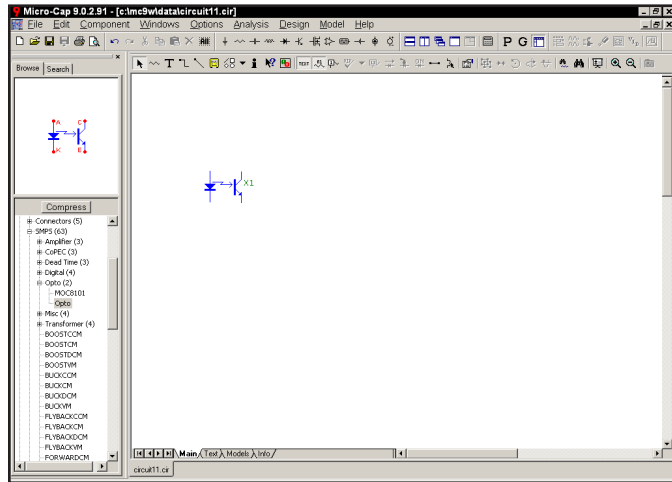


Figure 2-17 The Component panel

The Browse panel presents the Component library in the same hierarchical manner that the Component editor does and shows the shape of the selected component.

The Search panel searches the library for matching text strings, much like the Find Component command (SHIFT + CTRL + F) does.

The panel can be toggled from **Preferences / Panel/Window Tabs / Show** and from **Options / Panel**. CTRL + ALT + X also toggles the panel display.

The Windows menu



- **Cascade: (SHIFT + F5)** This cascades the open circuit windows in an overlapping manner.



- **Tile Vertical: (SHIFT + F4)** This vertically tiles the open circuit windows.



- **Tile Horizontal:** This horizontally tiles the open circuit windows.



- **Overlap:** This command overlaps the circuit window and the analysis plot window. If the Plot on Top option is enabled, the circuit is maximized and a 1/4 size analysis plot is placed on top, otherwise the analysis plot is maximized and a 1/4 size circuit is placed on top. This option is available only when a normal or Probe-mode transient, AC, or DC analysis is active.



- **Maximize:** This command maximizes a selected circuit window or circuit window icon.



- **Maximize Over Multiple Monitors:** This maximizes the selected window and spreads it out over two or more monitors. This is handy when you have two monitors with the same resolution and the same pixel count. The Tile Vertical or Tile Horizontal command then places the schematic on one monitor and the analysis window on another.

- **Arrange Icons:** This neatly arranges any minimized circuit window icons.



- **Zoom-In: (CTRL + numeric keypad +)** If the active circuit window is a schematic, this command magnifies the schematic. This command affects only the display, not the printed size. If the active circuit window is a text window, this command draws the window using the next largest font size.



- **Zoom-Out: (CTRL + numeric keypad -)** If the active circuit window is a schematic, this command shrinks it. The command affects only the display, not the printed size. If the active circuit window is a text window, this command redraws the window using the next smallest font size.

- **Toggle Drawing/Text: (CTRL + G)** Every schematic has a drawing area and a text area. The drawing area contains the schematic. The text area is where local model, subckt, stimulus, and source table statements are stored. This toggles the display between the drawing and text areas.

- **Split Horizontal:** This horizontally splits the front schematic window into two panes for simultaneous viewing of different parts of the schematic.
- **Split Vertical:** This vertically splits the front schematic window into two panes for simultaneous viewing of different parts of the schematic.
- **Space Splitters Evenly:** This arranges any active splits evenly.
- **Remove Splits:** This removes any split panes in the window.
- **Component Editor:** This accesses the Component editor.
- **Shape Editor:** This accesses the Shape editor.
- **Package Editor:** This accesses the Package editor, which manages the information needed to generate netlists to popular PCB programs.



- **Calculator:** This invokes the Calculator window. It lets you type in expressions and it calculates the result. You can use circuit variables if you are in an analysis mode. It can even do symbolic derivatives. Here are some sample expressions:

$(1+2*j)*(1+2*j)$complex product returns $-3 + 4*j$

$VBE(Q1)*IB(Q1) + VCE(Q1)*IC(Q1)$power in a BJT

$SERIES(N,0,25,1/FACT(N))$...Evaluates the first 26 terms of $1/FACT(N)$.

The derivative of $I(L1)*V(L1)$ W.R.T. $I(L1)$ returns $V(L1)$. This example works only in analysis mode since $I(L1)$ and $V(L1)$ are defined only in analysis mode. Expressions using generic symbols work in schematic mode. For example, the derivative of X^X returns $X*X^(X-1)+X^X*LN(X)$.

- **Check Model Library Parameters:** This checks the model parameters of parts in the Model library against the limits set in the Model Parameter Limits Editor. The check is only done for parts that are implemented from basic model primitives such as NPNs, NMOS, JFETs, diodes, etc. Subckt and macro-based parts are not checked.
- **Files in Memory:** This group lists the open files in memory. If multiple circuits have been loaded, you can select one for display from this list.

The Options menu

- **Main Tool Bar: (CTRL + 0)** This toggles the main tool bar on and off.
- **Default Main Tool Bar:** This option restores the default main tool bar.
- **Status Bar:** This option toggles the Status bar on and off.
- **Panel (ALT + X):** This option toggles the Component panel.
- **Window Tabs:** This option toggles the window tabs on and off.
- **Mode:** This option accesses the Mode sub-menu. It contains these items:



- **Select: (CTRL + E)** This mode selects objects for editing. To change attribute values like part name or model name, to edit a fragment of grid text, or to select a schematic region for moving or deleting you must be in the Select mode. Normally, you invoke this mode by clicking on the Select button, pressing the SPACEBAR, or by typing CTRL + E, but you may also invoke it by selecting this menu item.



- **Component: (CTRL + D)** This mode lets you add a component to the schematic. Invoke this mode by clicking on the Component button, typing CTRL + D, or selecting this menu item.



- **Text: (CTRL + T)** This mode lets you add grid text to the schematic. Grid text can be used for node names and model statements (which can also be placed in the text area).



- **Wire: (CTRL + W)** This mode adds orthogonal wires. Wires are used to connect components together.



- **WireD:** This mode is used to draw diagonal wires in the schematic.



- **Bus:** This mode is used to add Bus connectors to the schematic.



- **Line, Rectangle, Diamond, Ellipse, Arc, Pie:** These modes let you draw graphic objects on the schematic or plot. You can select a mode from here, or click on the Graphics button in the Tool bar, then select the desired object from the menu that pops up.



- **Polygon:** This command lets you place a polygon in an analysis plot. The polygon is intended for use in defining valid specification ranges. After rough drawing a polygon object, double-clicking on it lets you type in more exact values. The key words MIN and MAX place a polygon vertex coordinate flush with the plot sides.



- **Left Brace:** This mode is used to place a variable size left brace graphical object in the schematic.



- **Right Brace:** This mode is used to place a variable size right brace graphical object in the schematic.



- **Brace Pair:** This mode is used to place a variable size graphical object consisting of a pair of left and right braces in the schematic.



- **Flag:** This mode is used to place flags on the schematic. Flags are used to mark locations for quick navigation. Normally, you invoke this mode by clicking on the Flag button, but you may also use this menu item.



- **Picture:** This mode lets you place picture files in the schematic.



- **Scale: (F7)** This command puts the analysis plot in Scale mode.



- **Cursor: (F8)** This command puts the analysis plot in Cursor mode.



- **Point Tag:** This mode lets you place a point tag on a plot. A point tag labels the X and Y values of a single data point on a waveform.



- **Horizontal Tag:** This mode lets you place a horizontal tag between two data points. This tag measures and labels the horizontal difference between two data points on one or two waveforms, yielding pulse width or time delay if the X expression is Time.



- **Vertical Tag:** This mode lets you place a vertical tag between two data points. This tag measures and labels the vertical difference between two data points on one or two waveforms.



- **Performance Tag:** This mode lets you place a performance function tag on an analysis plot. The tag calculates the function each time the analysis is run and then labels the tag with the function value.



- **Help: (CTRL + H)** This command invokes the component help mode. This mode lets you click the mouse on a schematic component to see its parameter and model syntax.



- **Info: (CTRL + I)** This invokes the Info mode. In this mode, clicking on a component shows its model parameters, model statement, subcircuit description, or command statement, depending upon the component.



- **File Link:** This invokes Link mode, in which clicking on grid text or a part shows its link, which is usually an internet URL, local file address, or a local executable program.



- **Region Enable:** This mode lets you drag select a region and assign to it a boolean expression that typically depends upon values of symbolic (.define or .param) variables within the circuit within the circuit.



- **Point to End Paths:** This command invokes the Point to End Paths mode. In this mode, clicking on a digital component displays all paths from the component clicked to all possible end points. End points include flip-flops and gates which drive no other gates.



- **Point to Point Paths:** This command invokes the Point to Point Paths mode. In this mode, clicking on a digital component displays all paths from the first component clicked to the second component clicked.



- **Probe: (SPACEBAR)** Since you can edit schematics while probing, this sets the mouse behavior to probing as opposed to editing.

- **View:** These options determine what will be drawn on the schematic.



- **Attribute Text:** If checked, this shows component attribute text.



- **Grid Text:** This option shows grid text. Grid text is any text created with the Text tool.



- **Node Numbers:** This option shows the node numbers assigned by the program to each node. Analog nodes have rounded rectangles and digital nodes have normal angular rectangles. Grid text placed on a node may serve as an alias for the node number.



- **Node Voltages / States:** This displays node voltages and digital states. In Dynamic AC, AC voltages are shown. Otherwise, time-domain values

are shown. Depending on the last analysis, these could be a DC operating point, transient analysis ending values, or DC Sweep ending values.



- **Current:** This option displays the last AC, DC, or transient analysis time-domain currents. During Dynamic AC, AC currents are shown.



- **Power:** This option displays the last AC, DC, or transient analysis time-domain power. During Dynamic AC, AC power is shown.



- **Condition:** This option displays the last AC, DC, or transient analysis time-domain conditions. Conditions define the operating state for devices such as ON, OFF, LIN, SAT, and HOT for BJTs.



- **Pin Connections:** This option displays a dot at the location of each pin. This helps you see and check the connection points between parts.

- **No Grid:** This option displays no schematic grid.




- **Grid:** This option displays a standard grid without bold grid points.

- **Grid Bold 5:** This option displays a standard schematic grid with every 5'th grid point in bold.

- **Grid Bold 6:** This option displays a standard schematic grid with every 6'th grid point in bold. 6 is the standard grid spacing of simple parts.

- **Bold Grids User (N):** This puts a bold grid every N'th grid point. The distance between bold grids is selectable from the Properties dialog box.

The next four choices can also be selected from the VIP button , if they are enabled from **Properties (F10) / View / Calculate**.

- **Last Value:** This displays the last current, voltage, or power.

- **RMS Value:** This displays the RMS current, voltage, or power.

- **Average Value:** This displays the average current, voltage, or power.

- **Peak Value:** This displays the peak current, voltage, or power.



- **Cross-hair Cursor:** This option adds a cross-hair cursor.



- **Border:** This option adds a border to the schematic.



- **Title:** This option adds a title block to the schematic.



- **Show All Paths:** This command shows all digital paths and their delays. Selected paths are highlighted on the schematic. It is an immediate command as opposed to the Point to End Paths and Point to Point Paths modes, which require mouse clicks to specify path endpoints before a path list appears.



- **Preferences: (CTRL + SHIFT +P)** This accesses the Preferences dialog box, where many user preferences are selected. These include:

- **Options-General:**

- **Time Stamp:** This adds a time stamp to numeric output files.
- **Date Stamp:** This adds a date stamp to numeric output files.
- **Use Bitmaps in Menus:** This option enables or disables the use of bitmap icons on the menus.
- **File List Size:** This value sets the number of file names to include in the Recent Files section of the File menu.
- **Sound:** This controls the use of sound for warnings and to indicate the end of a simulation run.
- **Print Background:** If enabled, this option adds the user-selected background color to the printouts. It is usually disabled, since most background colors do not print well.
- **Sort Model Parameters:** If enabled, this option alphanumerically sorts model parameters in the Attribute dialog box, the numeric output, and the Model Parameters Limits editor.
- **Warning Time:** This sets the duration of warning messages.
- **Add Parentheses to Define:** This brackets the right side of .define statements with a pair of parentheses to avoid expansion problems. For example, with the added parentheses,

.DEFINE A 1+V(1) is interpreted as (1+V(1))

Without the added parentheses an expression like $1/A$ becomes

$$1/1+V(1) = 1+V(1).$$

With the added parentheses the $1/A$ becomes $1/(1+V(1))$.

- **Component Menu Shape Display:** This option shows the shape as different components are selected from the Component menu.
- **Component List Size:** This value sets the number of part names to include in the Recent Parts section of the Component menu.
- **Show Full Paths:** This option shows the full file and path in the window title bar and in the File menu Last Files section. If you use long path names, disabling this option may unclutter the menu and title bars, though it may be hard to distinguish files of the same name in different folders.
- **User Name:** This lets you edit the user name.
- **Company Name:** This lets you edit the company name.
- **Options-Analysis:**
 - **Floating Nodes Check:** This provides a warning for floating nodes (those for which only one component pin is attached).
 - **Add DC Path to Ground:** This option automatically adds a $1/R_NODE_GND$ resistor from node to ground where there is no resistive path from the node to ground.
 - **Inertial Cancellation:** If enabled, this option causes the logic simulator to employ inertial cancellation, which cancels logic pulses whose durations are shorter than the device delay. If this option is disabled, the simulator does not cancel short pulses.
 - **Select Curve Color:** If enabled, this option colors the selected curve branch in the Select Color Primary. It is nearly always on, except when many hundreds of branches would slow down the redraw required by the select color.

- **DC Path to Ground Check:** This checks for the presence of a DC path to ground. It should normally be on.
- **Plot on Top:** This option places the analysis plot on top of the schematic if they are overlaid, otherwise the schematic floats above.
- **Analysis Progress Bar:** If enabled, this option displays a progress bar during a simulation run in the Status Bar area, if the Status Bar feature is enabled on the Options menu.
- **Macro Drill Down:** Prior to MC9, probing a macro produced a list of macro nodes and parts, which could be selected for display. This option enables direct probing of macro schematics.
- **Convergence Assist:** This enables Convergence Assist which optimizes Global Settings parameters to help a circuit converge. It may modify RELTOL, ABSTOL, VNTOL, ITL4, ITL2, GMIN, METHOD, and others to achieve convergence. If it succeeds, it adds an .OPTIONS statement to the circuit with the modified parameters.
- **Dynamic Auto Run:** MC9 has a new mode called Dynamic Analysis. In this mode, you simultaneously see and edit the schematic and view the analysis plot. The plot is dynamically updated after every edit is made to the schematic if this option is enabled. If it is disabled, the analysis and plot are updated only when you expressly ask for it by clicking the Run button or pressing F2.
- **Select Mode:** This causes the mode to revert to Select after any other mode is completed. This flag applies only when in an analysis.
- **Derivative Threshold:** Function sources using expressions need partial derivatives. The expressions for these derivatives are created automatically. Complex expressions can lead to even more complex derivatives, which can bog down the analysis. If the symbol length of the derivative expression exceeds this threshold, then a numeric derivative is used instead.
- **Options-Circuit:**
 - **Text Increment:** This controls grid text incrementing during a paste, step, drag copy, or mirror operation. Incrementing means that

the ending numerals in the text are increased by one. If no numerals are present, a '1' is added to the text.

- **Component Cursor:** If enabled, this option replaces the mouse arrow pointer with the shape of the currently selected component when Component mode is active.
- **Copy / Paste Model Information:** This option copies and pastes any associated .model or .define text statements along with the part. This is handy when pasting localized models between circuits.
- **Node Snap:** This flag compels components, wires, and text to originate on a node if a node's pin connection dot is within one grid of the object being placed or moved.
- **Rubberbanding (SHIFT + CTRL + R):** If enabled, this option causes drag operations to extend the circuit wires to maintain node connections. When disabled, drag operations sever selected wires at their endpoints and drag them without changing their shape or length.
- **Block Select Display Mode:** This option enables the block select mode, which shows the background of selected objects in the Block Select color. This makes selected objects easier to spot, especially when there is only one object. If disabled, the selected object is drawn in the standard foreground Select color.
- **Auto Show Model:** This mode causes model statements added to the schematic text area to automatically split the circuit window and show the newly added model statement.
- **Element Info:** If enabled, this shows element information for the object under the mouse pointer. Generally this is the same information displayed in the Status bar at the bottom of the window, but more useful because it is visually near where you are pointing.
- **Automatically Add Opamp Power Supplies:** This automatically adds and connects the VCC and VEE power supplies for level 3 OPAMP primitives. It places the batteries on a schematic page called Power Supplies. Note that it will not work for vendor supplied opamp subckt models.



- **Node Highlight:** This option automatically highlights the entire node as the mouse cursor passes near the node.
- **Component Import:** This option imports part information from a circuit file and installs the part in the Component library, making it available for use by the circuit. If disabled, unique parts not in the Component library cannot be shown or analyzed.
- **Select Mode:** This option causes the schematic mode to revert to Select after any other mode is completed. For example, to place a component you must be in the Component mode. After placing the component, the mode normally stays in Component mode. If this option is selected, the mode reverts to Select immediately after a component is placed. The same thing would happen when drawing wires, placing text, querying a part, or any other mode-based action.
- **Nodes Recalculation Threshold:** If Show Node Numbers is enabled, nodes are recalculated and displayed when any editing is done. For large schematics this can be time consuming. This value sets an upper limit for node count beyond which automatic node recalculation will be ignored.
- **File Link Default:** This field lets you set the syntax for the File link. The default is `www.google.com/search?q="%s"+"data sheet"` which does a Google search for the part name. The % symbol stands for the part name.
- **Shortcuts:** This accesses the Shortcuts dialog box which lets you customize the accelerator or shortcut keys.
- **Color Palettes:** This option lets you define your own palettes. Click on any of the color squares to invoke a color editor that lets you customize the hue, saturation, and luminance of the selected palette color.
- **Format:** This option controls the numeric format to be used when displaying analysis plot tag values, DC operating point values in the numeric output text page, schematic node voltages, currents, and powers, schematic path delays, and formula text.
- **Status Bar:** This lets you change the Status bar text attributes.

- **Panel/Window Tabs** : This section lets you control the display and appearance of the Component panel and Window tabs.
- **Main Tool Bar**: This panel lets you show or hide buttons and tool bars that normally reside in the main tool bar area.
- **Component Palettes**: This lets you name the nine component palettes and control their display in the Main tool bar. You can also toggle their display on and off during schematic use with CTRL + palette number.
- **Auto Save**: This accesses the Auto Save dialog box from which you can enable automatic saving of circuit files to disk every time you run an analysis or on a specific time schedule.
- **Warnings**: This accesses the Warnings dialog box from which you can enable or disable specific warning messages including:
 - **File**: This provides a warning when closing an edited file whose changes have not yet been saved.
 - **Quit**: This asks if you really want to quit.
 - **Opamp Power Supplies**: This alerts the user when MC9 adds VCC and VEE power supplies.
 - **Add DC Path to Ground**: This warns when adding resistors to avoid a DC path to ground.
 - **Excessive Time Points**: This warns when the circuit analysis limits call for an excessive number of time points.
 - **Excessive Data Points**: This warns when the circuit analysis has created an excessive number of data points. Data points equal time points times number of waveform or graphs plotted.
 - **Excessive Source Points**: This warns when a PWL, STIM, or User source generates an excessive number of breakpoints.
 - **Revert**: This asks for confirmation before allowing a file revert.
 - **AC Signal**: This issues a warning when attempting an AC analysis

in which the AC signal for all sources is zero. This is nearly always incorrect as all AC voltages and currents will be zero.

- **Part and Node the Same:** This warns when a part and node use the same name, which is legal but risky as it may lead to ambiguous plots. If D1 is both a node name and a diode name, V(D1) might mean the voltage on the node R1 or across the diode D1.
- **Spice3 TEMP Parameter:** Issues a warning when the SPICE3 Temp parameter is used as a device attribute.
- **Level Changed:** Issues a warning when a Level parameter is changed where the model parameters would need to change.
- **TNOM and T_MEASURED:** Issues a warning when both TNOM and T_MEASURED have been specified for a part.
- **Model Attribute Not Used:** Issues a warning when both a time varying expression and a model attribute are defined for a resistor, capacitor, or inductor. Model attributes cannot be used when time-varying expressions are defined for the resistance, inductance, flux, capacitance, or charge.
- **Style:** The Style dialog box lets you select and define different circuit styles. Styles consist of text fonts, colors, sizes, and display styles.
- **Combinations:** This controls how the Fit to Standard Value command is applied.
- **Slider:** This controls how the Slider works. The slider is a device for smoothly changing the value of component, model, and symbolic (.define or .param) variables, while watching the analysis plot respond. Both the mouse and the Up and Down cursor keys control the slider. Sliders can be placed anywhere on the screen.
- **Default Properties for New Circuits: (ALT + F10):** These items let you set the default or initial value of the various circuit options. When a circuit is first created it will use the option settings below. These options can all be changed after the circuit is created from its Properties (F10) dialog box.
- **Schematics:** This controls several schematic features:

- **Color/Font:** This provides control of text font and color for various schematic features such as component color, attribute color and font, and background color.
- **View:** This sets the default bold grid spacing and shape group.
 - **User Grids:** This sets the schematic bold grid spacing.
 - **Shape Group Priority:** When a part is placed in a schematic, its shape group is set to Default which tells MC9 to select its shape from this list in the order specified. You can change the order (priority) by selecting a shape group and using the up/down icons to move it to a new position in the list.
 - **Schematic Display of Voltage, Current and Power:**
 - **Calculate:** This panel controls whether to calculate the RMS, average, and Peak values during an analysis. Because these calculations add about 10% to the run time, you should enable these flags only if you need the values.
 - **Default Display:** This panel sets the default display to be used. Last shows the ending values and is always calculated. RMS, Average, and Peak show the ending RMS, average, and peak values for the run. Each of these values is calculated during the analysis run.
- **Title Block:** This panel lets you specify the existence and content of the title block.
- **Tool Bar:** This lets you select the tool bars and buttons that appear in the local tool bar area located just below the main tool bar.
- **SPICE Files:** This provides two types of features for SPICE text files.
 - **Color/Font:** This provides control of text font and color for SPICE text files.
 - **Tool Bar:** This panel lets you select the tool bars and buttons that appear in the local tool bar area located just below the main tool bar.
- **Analysis Plots:** This provides control for several analysis plot features:

- **Scales and Formats:** This panel lets you specify units, scale factor and numeric format for analysis plots. It provides some plot options for both the X and Y axes:

- **Scale Factor:** Only None and Auto are available. Auto picks a suitable scale factor from the list (T,G,Meg,K,m,u,n,p,f).

- **Scale Units:** This add units (Volts, Amps, etc,) to the plot. Only None and Auto are available. If Auto is selected MC9 will guess what the units should be from the plot expression.

- **Scale Format:** This controls the numeric format for the plot X / Y scales. Choices include Scientific (1.00E4), Engineering (10.00K), Decimal (10,000.00), or Default (10K).

- **Value Format:** This controls the numeric format for numbers printed in the Cursor tables and in the numeric output page. The usual format options are available.

- **Auto / Static Grids:** This specifies the number of grids to use when auto scaling or when the Static Grid option is enabled. Static grids are the old-style fixed grids used in MC6.

- **Enable Scaling:** This option enables scaling in the X or Y direction. To allow scaling in the Y direction only, disable this option in the X panel, and vice versa.

- **Optimizer:** This sets the Optimizer window numeric format.

- **Watch:** This sets the Watch window numeric format.


- **Same Y Scales for Each Plot Group:** This controls whether each of the waveforms in the plot group share the same numeric scale or have their own individual Y-axis scales.

- **Static Grids:** If enabled this option produces fixed plot grids that stay in place as the plot is panned, as in MC6. Otherwise the grids move when the plot is panned, as is standard in MC9.

- **Keep X Scales the Same:** If enabled, this option keeps the X scales of different plot groups the same.

- **Slope Calculation:** This controls the method for measuring slope; normal, dB/octave, and dB/decade. The latter two are more appropriate for certain AC measurements.
- **Save Range Edits:** This flag copies Range changes to the Analysis Limits dialog box Range fields.
- **Colors, Fonts, and Lines:** This provides control of text font and color for many plot features such as scale and title text, window and graph background colors, and curve color, thickness, and pattern.
- **Scope:** This sets initial Scope options:
 - **View:** This sets the initial Scope view options, including:
 - **Data Points:** This marks calculated points on the plot. All other values are linearly interpolated.
 - **Tokens:** This adds tokens to each curve plot. Tokens are small graphic symbols that help identify the curves.
 - **Ruler:** This substitutes ruler tick marks for the normal full screen X and Y axis grid lines.
 - **Plus Mark:** This replaces continuous grids with "+" marks at the intersection of the X and Y grids.
 - **Horizontal Axis Grids:** This adds horizontal grids.
 - **Vertical Axis Grids:** This adds vertical grids.
 - **Minor Log Grids:** This adds but does not label minor log grids between major grids at the 2, 3, 4...9 positions.
 - **Minor Log Grids 2 5:** This adds and labels minor log grids between major grids at the 2 and 5 positions.
 - **Baseline:** This adds a zero baseline as a reference.
 - **Horizontal Cursor:** In cursor mode (F8), this adds a horizontal cursor which intersects the two vertical numeric cursors at their respective data point locations.

- **Tracker:** These options control the display of the cursor, intercept, and mouse trackers, which are little boxes containing the numeric values at the cursor data point, its X and Y intercepts, or at the current mouse position.
- **Tool Bar:** This panel lets you select the tool bars and buttons that appear in the local tool bar area located just below the main tool bar.
- **FFT:** This panel lets you select the default parameters for FFT functions used in analysis plots, including number of points to use in the FFT routine, and autoscaling options.
- **Numeric Output:** This group lets you choose what to include in the Numeric Output displays and the corresponding output text files (*.TNO, *.ANO, and *.DNO).
 - **Check All:** This sets the print checkmark for all waveforms.
 - **Clear All:** This clears the print checkmark for all waveforms.
- **Order:** This sets the print order, with 1 being first.
- **Alias:** An alias can be used on the column headers instead of the full waveform name.
- **Curves:** This section allows selection of which curves to print and an alternative alias for the curve name.
- **Show:** This allows selection of the material to include in the numeric output file.
- **Include Numeric Output:** This enables creation of the numeric output file. The other options control content of the file.
 - **Include Main Header:** This prints the main header.
 - **Include Analysis Limits:** This adds the analysis limits.
 - **Include Branch Headers:** This adds branch headers that identify the item(s) being stepped or the Monte Carlo case number.
 - **Include Model Parameters:** This prints model parameters.

- **Include Zero Parameters:** This enables the printing of zero-valued parameters.
- **Include Undefined Parameters:** This prints undefined model parameters using their default values.
- **Include Operating Point Values:** This controls the printing of the operating point data to the file.
- **Include Waveform Values:** This controls waveform printing. The numeric output icon , next to each expression, must be enabled.
 - **Include Waveform Headers:** This prints identifying expression text above each numeric column.
 - **Begin Printing At:** This specifies the time value at which printing of the waveform values begin.
 - **End Printing At:** This specifies the last time value at which waveform printing occurs.
 - **Table Formats:** This controls how the numeric output curve / waveform tables will be arranged. *Horizontal* is the conventional format, with column vectors shown horizontally. *Vertical* prints the time column, followed sequentially by single column vectors, one for each output. *Vertical X,Y Alternate* is the same but with an extra analysis variable column inserted between each output vector. Finally *Vertical X,Y Pairs* produces vertically arranged column pairs of the analysis variable and one output.
- **3D Plots:** This provides control for several 3D plot features:
 - **Color:** This provides color control of 3D plot features such as general scale and title text, window and graph background colors, axis colors, patch color, and surface line color.
 - **Font:** This provides font control for all text in the 3D plot.
 - **Scales and Formats:** This panel selects the numeric format for the X, Y, and Z axis scales and the numeric values in the cursor tables. It also controls the slope calculation method.

- **Tool Bar:** This panel lets you select the tool bars and buttons that will appear in the local tool bar area.
- **Monte Carlo Histograms:** This panel provides control for Monte Carlo histogram plot features:
 - **Color:** This provides color control of histogram features such as scale and title text, window and graph background, and bars.
 - **Font:** This provides font control for all text in the histogram.
 - **Tool Bar:** This panel lets you select the tool bars and buttons for the local tool bar area.
- **Performance Plots:** This panel controls performance plot features:
 - **Scales and Formats:** This panel lets you specify units, scale factor, numeric format and other options for performance plots. The options are similar to those for analysis plots.
 - **Colors, Fonts, and Lines:** This provides control of text font and color for various performance plot features.
 - **Tool Bar:** This panel lets you select the tool bars and buttons that appear in the local tool bar area.
- **FFT:** This panel controls the FFT window features:
 - **Scales and Formats:** This panel lets you specify units, scale factor, numeric format and other options for FFT plots. The options are very similar to those provided for analysis plots.
 - **Colors, Fonts, and Lines:** This provides control of text font and color for various plot features such as general scale and title text, window and graph background colors, and individual curve color, thickness, and pattern.
 - **Tool Bar:** This panel lets you select the tool bars and buttons that appear in the local tool bar area located just below the main tool bar.
 - **FFT:** This panel lets you select the default parameters for FFT operations used in the FFT window, including the number of points

to use in the FFT routine, and auto scaling options. These parameters are distinct from similar parameters specified for FFT operations used in the analysis plots. They are usually the same but need not be.


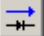



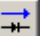

- **Model:** This panel controls the Model Program features:
 - **Color/Font:** This provides control of text font and color for various plot features for the Model program displays.
 - **Tool Bar:** This panel lets you select the tool bars and buttons that appear in the tool bar area of the Model Program display.
- **Globals:** This panel controls the properties of new graphical objects and the type of format type assumed when reading in SPICE files.
 - **Graphical Object:** This panel controls the properties of graphical objects such as border, fill, font, and line pattern.
 - **Spice Type:** This panel lets you set the type of SPICE format to be assumed by new circuit files when they read SPICE material.



- **Global Settings: (CTRL + SHIFT + G)** This shows the Global Settings dialog box where many simulation control choices are made. These settings are discussed in greater detail in the Global Settings section of this chapter.
- **User Definitions:** This option displays the file MCAP.INC. This file, located on the directory with MC9.EXE, stores global definitions for use in all circuits. The contents of the file are automatically included in all circuit files.
- **Model Parameter Limits Editor:** This editor lets you set the minimum and maximum values that the model parameters can have. It also shows the default values, but does not allow you to edit them. A warning message is generated and placed in the numeric output file for parameters that do not fall within the limit values. You can also run a comprehensive check of all models from **Windows / Check Model Library Parameters**.
- **Component Palettes:** Palettes provide a quick alternative to the Component menu when choosing components for placement. Membership in a palette is specified from the Component editor. Palettes can be tailored to suit personal preferences. Palette display can be toggled by pressing CTRL + palette number. For example, CTRL + 1 toggles the display of palette 1.

The Analysis menu

The Analysis menu is used to select the type of analysis to run on the circuit in the active window. It provides these options:

- **Transient: (ALT + 1)** This option selects transient analysis. This lets you plot time-domain waveforms similar to what you'd see on an oscilloscope.
- **AC: (ALT + 2)** This option selects AC analysis. This lets you plot frequency-domain curves similar to what you'd see on a spectrum analyzer.
- **DC: (ALT + 3)** This option selects DC sweep analysis. This lets you plot DC transfer curves similar to what you'd see on a curve tracer.
- **Dynamic DC: (ALT + 4)** This option selects an analysis mode in which MC9 automatically responds to user edits by finding and displaying the DC solution to the current schematic. You can change battery voltages and resistor values with slider controls or with the cursor keys. You can also make any edit such as adding or removing components, editing parameter values, etc. MC9 responds by calculating the DC solution and will display voltages and states if  is enabled, currents if  is enabled, power dissipation if  is enabled, and device conditions if  is enabled.
- **Dynamic AC: (ALT + 5)** In Dynamic AC, MC9 runs AC analysis and displays AC voltages, currents and power terms directly on the schematic while stepping through a list of frequency values. The program displays AC voltages if  is enabled, AC currents if  is enabled, and AC power terms if  is enabled.
- **Sensitivity: (ALT + 6)** This option selects an analysis mode in which the program calculates the DC sensitivity of one or more output expressions to one or more input parameter values. The input parameters available for measurement include all those available for component stepping, which is practically all model parameters, all value parameters, and all symbolic parameters. Thus you can create a lot of data with this analysis. A suitably smaller set of parameters is specified in the default set, or you can select only one parameter at a time.

- **Transfer Function: (ALT + 7)** This option selects an analysis mode in which the program calculates the small signal DC transfer function. This is a measure of the incremental change in a user-specified output expression, divided by a very small change in a user-specified input source value. The program also calculates the input and output DC resistances.
- **Distortion: (ALT + 8)** This option selects Distortion analysis. In this mode MC9 runs transient analysis and then analyzes the distortion products in the output signal by using FFT routines.
- **Probe Transient: (CTRL + ALT + 1)** This selects transient analysis Probe mode. In Probe mode, the transient analysis is run and the results are stored on disk. When you probe or click part of the schematic, the waveform for the node you clicked on comes up. You can plot all of the variable types, from analog node voltages to digital states. You can even plot expressions involving circuit variables.
- **Probe AC: (CTRL + ALT + 2)** This option selects AC Probe mode.
- **Probe DC: (CTRL + ALT + 3)** This option selects DC Probe mode.

The Design menu

The Design menu accesses the Filter Design functions.

Active Filters: This part of the program designs an active filter from your filter specifications. The filter type can be low pass, high pass, band pass, notch, or delay. The filter response can be Butterworth, Chebyshev, Bessel, Elliptic, or Inverse-Chebyshev. Polynomials are calculated from the filter specifications, then mapped into one of several different circuit styles, ranging from classical Sallen-Key to Tow-Thomas. Optional plots of the idealized transfer function are available. Filters can be created as circuits or as macro components.

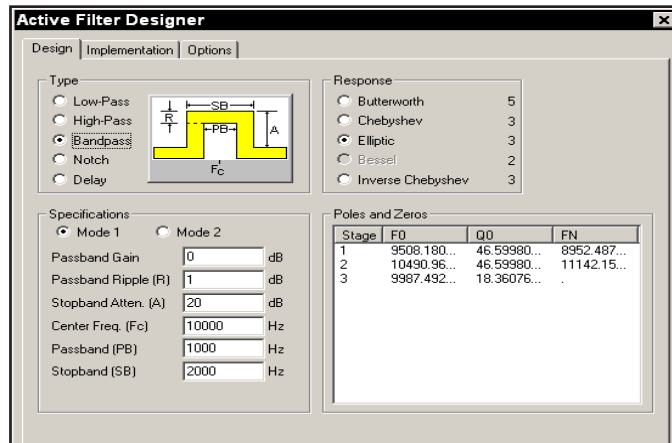


Figure 2-18 The Active Filter Designer

Passive Filters: This part of the program designs a passive filter from your specifications using capacitors and inductors. The filter type can be low pass, high pass, band pass, or notch. The filter response can be Butterworth, Chebyshev, or Elliptic. The filter polynomials are calculated and implemented in either standard or dual circuit configuration. Optional plots of the idealized transfer function are available. Filters can be created as circuits or as macro components.

The filter design functions from the Design menu are covered in more detail in Chapter 29.

The Model menu

The MODEL program, accessed from the Model Menu, produces optimized analog model parameters from commercial data sheets. It creates model libraries in either text or binary form. Its main display looks like this:

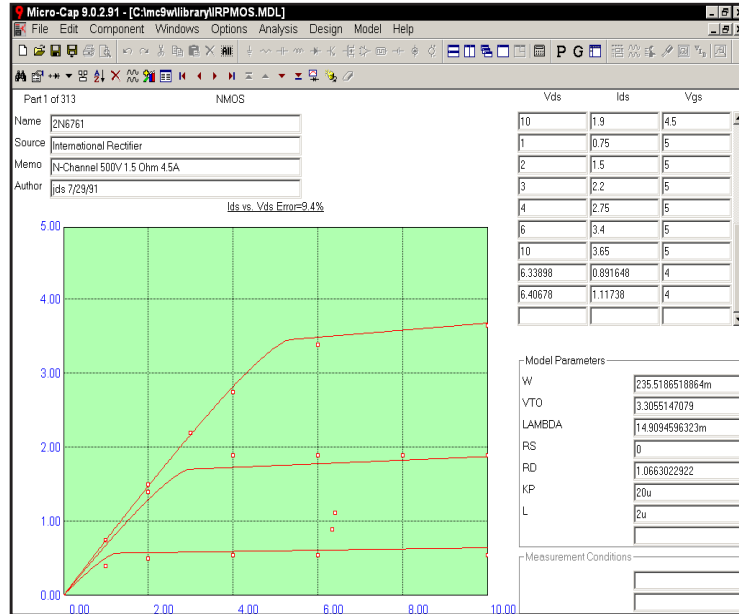


Figure 2-19 The Model program

Basically the MODEL program takes data sheet information and using a Powell optimizer, optimizes the model parameters to fit the supplied data sheet values or graphs. The resulting model parameters can then be saved and used in the Micro-Cap model libraries.

The program is described in detail in Chapter 27.

The Model editor

Model libraries provided with MC9 come in two forms, text and binary.

In *text* form, they are contained in files with the extension LIB, and encode device models as .MODEL, .MACRO, and .SUBCKT statements. Text files can be viewed and edited with any text editor, including the MC9 text editor.

In *binary* form, model libraries are contained in files with the extension LBR, and are implemented as a list of model parameters for the parts. These binary files can be viewed and edited only with the Model editor. The Model editor is invoked when the **File** menu is used to open or create a binary library file.

The Model editor should not be confused with the MODEL program, which is accessed from the Model menu. MODEL produces optimized analog model parameters from commercial data sheets. MODEL can create model libraries in either the text or binary form.

Once the binary libraries are created, the Model editor can be used to view and edit them. The Model editor display looks like this:

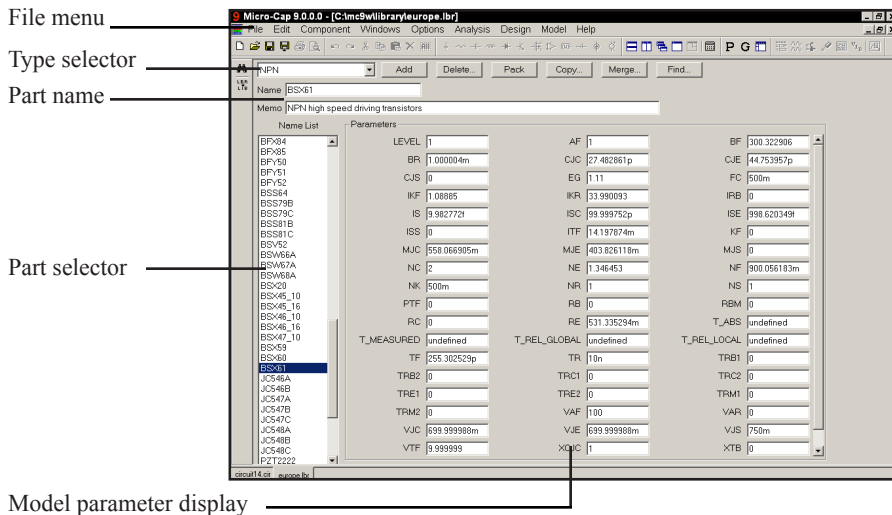



Figure 2-20 The Model editor

The Model editor is invoked from the File menu by loading a *binary* model library file (e.g. one with a LBR extension).

The various parts of the editor function as follows:

- **Name:** This field is where the part name is entered. If the part has been imported from the MODEL program, this field is a copy of its Name field.
- **Memo:** This is a simple text field that may be used for any descriptive purpose. If the part has been imported from the MODEL program, this field is a copy of its Memo field.
- **Type selector:** This is used to select which device type to display. Each library may contain a mixture of different device types. Selecting NPN for example, displays all of the NPN bipolar transistors in the file.
- **Part selector:** This selects a part by name for display and possible editing. It provides a window to review the specific model values for the displayed part. As in other windows, the Maximize button may be used to enlarge the window to see more of the model values.
- **Add:** This adds a new part of the current device type to the current library.
- **Delete:** This deletes the displayed part.
- **Pack:** This removes all duplicated and untitled parts and reorders the parts alphanumerically.
- **Copy:** This command copies a part from the displayed library to a target library. If the target library already has a part with the same name, the name of the newly created copy is set to "oldname_copy". The target library may be the current library.
- **Merge:** This command merges a library from disk with the library currently in memory. The merged library is displayed but is not automatically saved to disk.
- **Find:** This command lets you specify a parameter name, then scrolls the parameter list of the currently displayed part to show the parameter value.

Note that the Find function is available to locate parts by name in the current library file or in one of the library files on disk. Simply click on the Find button  in the Tool bar.

The Help system

The Help system provides information on the product in several ways:

- **Contents (F1):** This section provides help organized by topics.
- **Search for Help On...:** The search feature lets you access information by selecting a topic from an alphabetized list.
- **Product Support:** This option provides technical support contact numbers.
- **User's Guide:** This accesses the User's Guide.
- **Reference Manual:** This accesses the Reference Manual.
- **Tip of the Day...:** This option provides short tips on product features that are displayed each time MC9 is started.
- **New MC9 Features...:** This shows a summary of the new MC9 features.
- **Statistics (ALT + Z):** This displays a list of statistics showing the key ID, Micro-Cap version number and executable date. In an analysis it also shows the setup and run time, the number of analog and digital nodes, the number of data points calculated during the run, a list of the actual parts in the circuit after macro and subcircuit expansion, and a list of the number of iterations and solutions for the run.
- **Check For Updates:** This shows the latest version of MC9 available from the Spectrum web site and assists in downloading it to your local machine.
- **Spectrum Web Site:** This brings up the Spectrum Software web site.
- **Online Registration:** This brings up the MC9 registration form.
- **Key ID:** This displays the security key ID which you sometimes need when upgrading the program or accessing technical support.
- **Sample Circuits:** This shows a list of the sample circuits and the features they illustrate.

- **Demos:** These live demos show how to use the principal features. They describe the basics of creating schematics and running analyses. Other topics include: adding new parts to the library, using Probe, IBIS files, parameter stepping, Fourier analysis, analog behavioral modeling, filter design, animation, distortion, optimization, Monte Carlo analysis, performance plots, and more.

The manuals are in PDF format. You must have Adobe Acrobat to read them. Here are some hints on using them:

- CTRL + 0: Fits the page within the window. This is probably the best size for browsing.
- Page Up: Takes you to the next higher page number.
- Page Down: Takes you to the next lower page number.
- Home: Takes you to the first page. The Contents section begins on page 3. Contents entries are hypertext links. Clicking on any entry takes you to the referenced page.
- End: Takes you to the last page of the index. Index entries are hypertext links. Clicking on any entry takes you to the referenced page.
- Bookmarks: Enabling the Bookmarks option on the Acrobat Windows menu displays the Contents and Index links. Clicking on any entry takes you to the referenced page.
- CTRL + LEFT ARROW: Takes you back one step to the prior page. This is handy when using the index hypertext links.
- CTRL + F: Find command which lets you search for any text.
- **About Micro-Cap:** This option shows the software version number.

What's in this chapter

This chapter describes the Shape editor. This editor is used to build new shapes or change existing shapes. Shapes are used to represent components in a schematic. Each shape is composed of objects such as lines, circles, and rectangles.

Upon exiting and saving changes, the shapes are available for use by the Component editor. That editor maintains the Component library, from which components are selected for use in schematics.

A large library of shapes is supplied with MC9, so most users will not need to use the Shape editor. For those who want to customize their shapes or add new ones, this chapter is for you.

Features new in Micro-Cap 9

- Root shapes may now be imported from a separate SHP file rather than having to be in the same one.
- Added a new Analog LED shape

The Shape editor layout

The Shape editor is selected from the **Windows** menu. Its display looks like this.

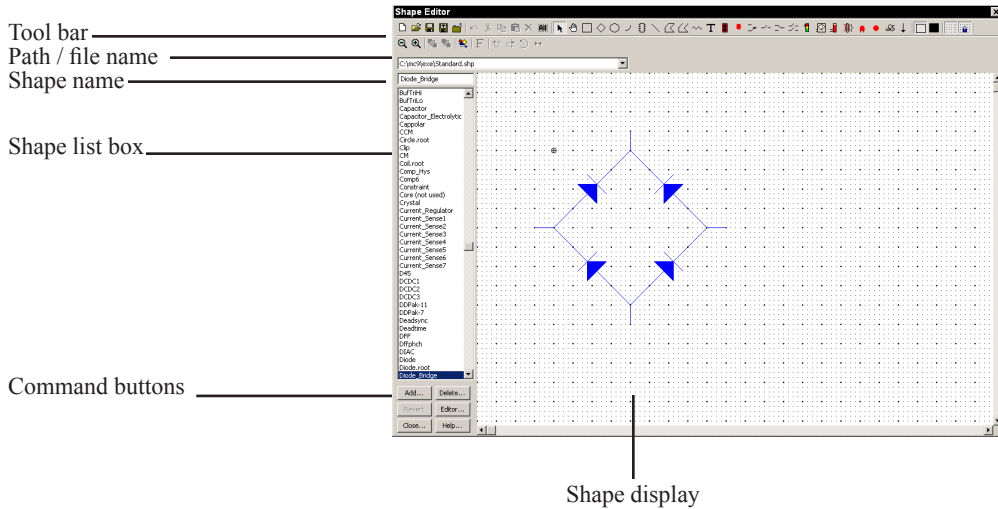


Figure 3-1 The Shape editor

Shape list box:

This list box displays all of the shapes in the selected shape file.

Command buttons:

Add: This command adds a new shape to the library.

Delete: This command deletes the currently selected shape.

Revert: This command restores the selected shape to its original version when the shape was first displayed. This only affects the displayed shape. Edits on other shapes during the current invocation of the Shape editor remain in effect. Selecting a new shape disables the Revert feature for the old shape. All edits on all shapes are temporary, however, and may be discarded when you exit the editor or close the file. Only when you exit or close the file are the changes saved to disk.

Editor: This invokes the Object editor, which lets you edit the numeric parameters of the fundamental objects comprising the selected shape. This provides finer control over object size and shape than can be obtained with the normal mouse editing. Some features, such as the digital block pin symbols, are only changeable from the Object editor.

Close: This closes the Shape editor and, if any changes have been made, asks if you want to retain them.

Help: This accesses the Help system.

Tool bar:

The Tool bar provides the buttons to select tools for creating, editing, and viewing the selected shape. The tools and their properties are as follows:



New: (CTRL + N) This command creates a new shape library file. Any shapes added to it are available for use in the Component library.



Open: (CTRL + O) This command loads an existing shape library file. Its shapes are then available for use in the Component library.



Save As: This command saves the current shape library file under a new name specified by the user.



Translate: This command translates the current shape library file to an older format under a new name specified by the user.



Remove: This command removes the currently loaded shape library file. Its shapes are no longer available for use in the Component library.



Undo: (CTRL + Z) Most operations that change a shape can be reversed with the Undo command. Undo will only reverse the last change.



Cut: (CTRL + X) This command deletes the selected objects and copies them to the clipboard.



Copy: (CTRL + C) This command copies selected objects to the clipboard from where they may be pasted to the Shape display.



Paste: (CTRL + V) This command copies the contents of the clipboard starting at the last mouse position.



Clear: (DELETE) This command deletes the selected items without copying them to the clipboard.



Select All: (CTRL + A) This command selects all items in the shape for a subsequent move, rotation, or deletion.



Select: Click this button to activate the Select mode. You must be in Select mode to edit or select a portion of shape for editing.



Pan: Click this button to activate the Pan mode. Panning is used to move the display view to see different parts of a large shape. As usual, you can also use the keyboard or the mouse. Mouse panning involves dragging the right mouse button and can be done in any mode. Alternatively, you can select this mode and drag with the left mouse button.



Rectangle: Click this button to create a rectangle in the shape by dragging the mouse in the Shape display. To change the shape of the rectangle, drag one of the eight handles (small black rectangles).



Diamond: Click this button to add a diamond in the shape by dragging the mouse. To change the shape of the diamond, drag one of the eight handles.



Ellipse: Click this button to add an ellipse to the shape by dragging the mouse in the Shape display. To change the shape of the ellipse, drag one of the eight handles. To create a circle, press the SHIFT key before dragging the mouse.



Arc: Click this button to add an arc to the shape by dragging the mouse in the Shape display. To change the shape of the arc, drag one of the eight handles.



Block: Click this button to create a digital block in the shape by dragging the mouse in the Shape display. To change the shape and number of leads, drag one of the eight handles. To edit the leads to reflect their function, select the block and then invoke the Object editor by clicking on its command button.



Line: Click this button to create a line in the shape by dragging the mouse in the Shape display. To change the direction or length of the line, drag on one of the two handles.



Closed Polygon: Click this button to add a closed polygon. Click the mouse in the Shape display, once for each vertex. There is no limit on the number of vertices. Double-click on the last vertex or click the right mouse button. This

finishes the polygon by adding a final edge between the first and last vertices. To change the overall dimensions of the polygon, drag one of the handles. Use the Object editor to edit the individual vertex coordinates.



Open Polygon: Click this button to create an open polygon. Click the mouse in the Shape display, once for each vertex. There is no limit on the number of vertices. Double-click on the last vertex or click the right mouse button to end the polygon. To change the overall dimensions of the polygon, drag one of the eight handles. Use the Object editor to edit the individual vertex coordinates.



Included Shape: Click this button to include an existing shape in the current shape by clicking the mouse in the Shape display where you want the shape placed. This invokes a list of existing shapes. Choose the shape you want to include from this list. Once the shape is included, it can be dragged about.



Text: Click this button to add text to the shape by clicking the mouse in the Shape display where you want the text placed. This invokes a text dialog box. Type the text and click OK. To edit text, double-click on it in Select mode.



Seven Segment LED: Click this button to create seven segment LED shapes for use in animated components.



Digital LED diode: Click this button to create a digital LED diode shape for use in animated components.



Digital Switch: Click this button to create a digital switch shape for use in animated components.



SPST Switch: Click this button to create an analog SPST switch for use in animated components.



SPDT Switch: Click this button to create an analog SPDT switch for use in animated components.



DPST Switch: Click this button to create an analog DPST switch for use in animated components.



Stoplight: Click this button to create a three-color stoplight shape for use in animated components.



Meter: Click this button to create an analog / digital voltage / current meter for use in animated components.



Analog Bar: Click this button to create an analog bar shape for use in animated components.



Relay: Click this button to create a moving relay shape for use in animated components.



Analog Colored LED: Click this button to create a colored analog LED diode shape for use in animated components.

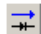


Analog Colored LED: Click this button to create a colored analog LED with a circular shape for use in animated components.



Motor: Click this button to create a DC motor shape with a rotating shaft for use in animated components.



Current: Click this button to add a direction indicator for positive current. It is used only when the schematic Currents  mode is enabled.



Outline: Click this button to create outlined shapes, rather than filled shapes, when dragging a rectangle, diamond, ellipse, or closed polygon.



Fill: Click this button to create filled shapes, rather than outlined shapes, when dragging a rectangle, diamond, ellipse, or closed polygon.



Grid: Click this button to show the grid. The grid is a two-dimensional array of locations where shape objects must originate and terminate if their nodes are accessible in a schematic.



Grid Snap: Click this button to force the coordinates of all shape objects to occur at a grid point. This ensures that the coordinate points will be usable as connecting points (pins) in a schematic.



Zoom-Out: Click this button to decrease the displayed image size. This does not affect the size of the image in the schematic.



Zoom-In: Click this button to increase the displayed image size. This does not affect the size of the image in the schematic.



To Front: Click this button to send the selected object in an overlapping stack of objects to the front.



To Back: Click this button to send the selected object in an overlapping stack of objects to the back.



Next Object: Click this button to select a different object in a stack of overlapping objects. Click the button until the one you want is selected.



Font: Click this button to change the text attributes of any selected text. This also changes the default text attributes that will be used the next time text is added to the shape.



Flip X: This command rotates the selected region about the X axis in 180 degree increments, essentially flipping the object or group about the X axis.



Flip Y: This command rotates the selected region about the Y axis in 180 degree increments, essentially flipping the object or group about the Y axis.



Rotate: This command rotates the selected region about the Z axis (the Z axis is perpendicular to the schematic plane) in 90 degree increments, producing four distinct orientations.



Mirror: This command creates a mirror image copy of the selected region. It invokes the Mirror dialog box which lets you choose a vertical or horizontal reflection and whether you want to copy the text in the region. A vertical reflection produces a copy vertically below the original region. A horizontal reflection produces a copy horizontally to the right of the original region.

Shape drawing window:

This window shows the selected shape. You can change the image size, and pan or scroll the window to see larger shapes.

The Object editor

Most objects can be created and edited by simple mouse operations. For the closed and open polygons and the block, it is necessary to use the Object editor to edit the object's characteristics. For other objects, it is sometimes convenient to use the editor to tweak the numeric values that control the size and shape of the object, after the object has been roughly drawn with the mouse.

The Object editor is invoked by clicking the Editor button or by double-clicking on the object that you want to edit. The editor looks like this:

The major parts of the Object editor are:

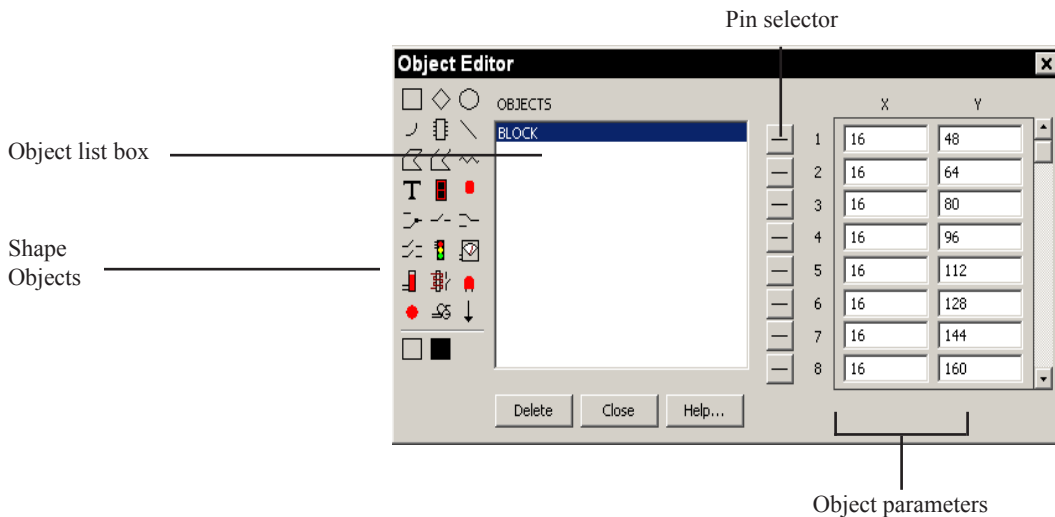


Figure 3-2 The Object editor

Shape Objects:

This lets you select new objects to add to the existing list. Click on an object to add it to the object list.

Object list box:

This shows the objects that the shape is composed of.

Pin selector:

When the selected object is a block, this shows the pin symbols. These symbols are intended to iconically convey the existence and function of the pin. They do not, of course, affect the actual behavior of the pins that they represent. There are five basic pin symbols:



Open: No pin at this location.



Clock: A clock pin.



Inversion: A logical inversion.



Inverted Clock: An inverted clock pin.



Normal: No indication of the pin function.

Object parameters:

These fields hold the numeric values that characterize the object. Rectangles, diamonds, ellipses, arcs, lines, and text use two sets of coordinates to define the coordinates of two opposite corners of the objects's bounding box. The bounding box is the rectangle that contains the object. Polygon parameters are a set of N coordinates of the form X,Y. The Included Shape parameters are the coordinates of the position where the included shape is placed. Coordinates are numerically equal to the number of grids from the upper left origin at the highest scale.

The Shape library

The Shape library contains the graphical shapes used in schematics to represent components. Each shape is comprised of various graphical primitives. Shapes are created, edited, and maintained by the Shape editor. The name of the file that holds the standard Shape library is called STANDARD.SHP. Upon installation, this file is placed in the same directory as the MC9.EXE, but can be relocated from within the Shape editor. *If located on a read only directory, all edit commands are locked out. This is the way to provide secure LAN access to the shape library.*

It is possible to have more than one shape file in the shape library. Multiple files can be maintained, and viewed with the Shape editor.

Shape information is saved in the circuit file in Micro-Cap 7, 8, and 9. When a circuit is loaded and is found to contain components whose shape names are not in the current Shape library, the program imports them and places them in a file called IMPORT.SHP. These shapes then become part of the Shape library and are available for general use.

The check box at **Preferences / Options / Circuit / Component Import** can be used to defeat this feature. If not checked, shape or component information from a circuit file is not imported.

What's in this chapter

The Component editor manages the Component library. This library provides the circuit components used in MC9 circuits. It stores the name of each component, the shape it uses, the electrical definition, component text placement, and pin information. All components, from resistors to macros and SPICE subcircuits are linked to MC9 using the Component editor.

This chapter is organized as follows:

- The Component editor layout
- Adding components to the library
- Adding subcircuits to the library
- Using the Add Part wizard
- Using the Import wizard
- Making circuit files portable

Features new in Micro-Cap 9

- Remove File icon is different from the Delete (part) icon.
- New right click menu for groups and components that lets you add parts, copy, delete, paste and replace.
- Deleting a populated group is now allowed, after a warning is given that the parts will be deleted.
- The Move Parts dialog box allows selection of both the From directory and the To directory. Previously, the From directory had to be selected before invoking the Move command.
- The Add Part wizard now asks for the model file name before the part name, allowing it to scan the file and offer a list of candidate names from the model file.
- Shape groups allow multiple shape assignments.
- New option for macros shows the name and value of each parameter.

The Component editor layout

The Component editor is accessed from the Windows menu. It looks like this:

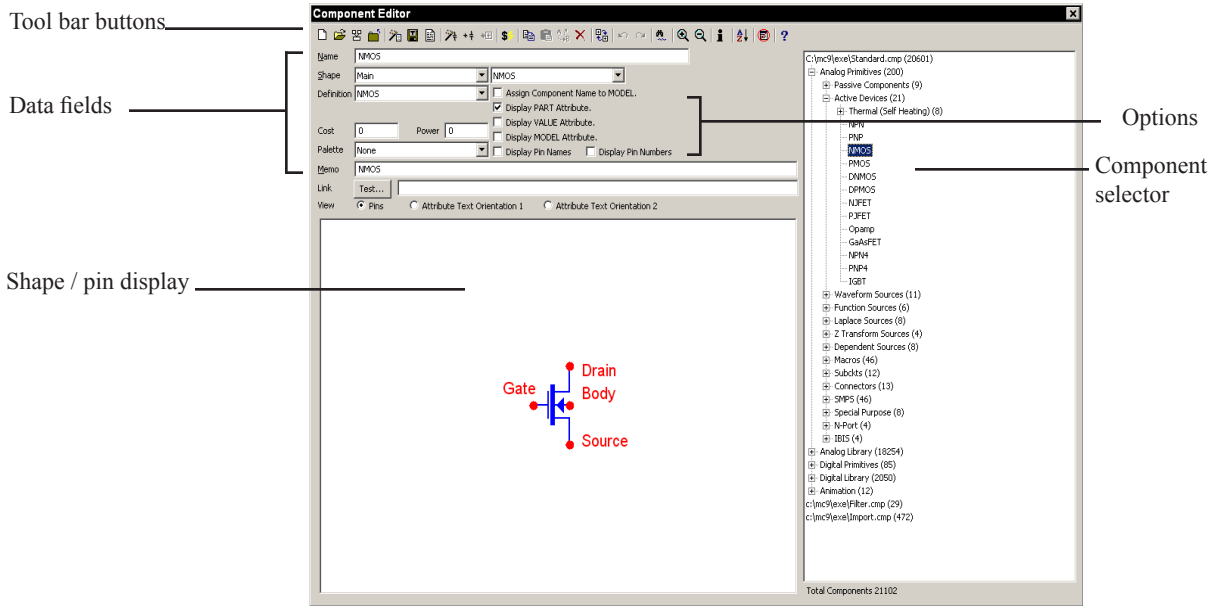


Figure 4-1 The Component editor

Tool bar buttons:



New: (CTRL + N) This command creates a new Component library file with a single group. Its components are then available for use in schematics and shown in the Component menu.



Open: (CTRL + O) This command loads an existing library file. Its components are then available for use in schematics and are shown in the Component menu.



Merge: This command lets you merge an older Component library file with the current MC9 Component library. It provides a dialog box to let you locate the external library file that you want to merge into the current library. Only unique components from the external library file are included. Components with duplicate names are not merged. If an incoming part uses a shape whose name isn't in the current MC9 Shape library, the shape is copied from the external shape library to the current MC9 Shape library. A '\$' is added to the shape name.



Remove File: This lets you remove a file from the Component library list.



The *Import Wizard* button imports .MODEL and .SUBCKT-based parts from a text file. It copies the model file to the library folder, adds the file name to the master index file, NOM.LIB, and makes the required entries into the Component library. It finds all of the model statements and subcircuits in the file and enters each as a new part using the .MODEL or .SUBCKT name. Part names already in the library are ignored. New parts are added using as a guide a part selected by the user from a list of parts whose pin names match. New parts whose pins do not match existing parts are added with generic shapes and their memo fields are annotated to indicate that more work is needed to complete them. Usually this involves picking a suitable shape and placing the appropriate pins on the shape. The Import wizard is optimized for automating the mass import of vendor-modeled parts.



The *Translate* button converts and saves the Component library file into earlier Micro-Cap formats.



The *Parts List* button creates a text file containing the part names from the currently selected group or from the entire library.



The *Add Part Wizard* button integrates all of the actions necessary to add a single part to the MC9 libraries. Like the Import wizard, it copies the model file to the library folder, adds the file name to the master index file, nom.lib, and makes the required entries in the Component library. It differs from the Import wizard in that it handles a single part.



Add Part: This adds a new component if the name selected in the Component selector window is any group or component name except the highest level, the library file name.



Add Group: This adds a new group name if the item selected in the selector window is any group name. If the current selection is a component name, this option is disabled, since you can't add a group to a component.



Cost and Power: This option lets you set the COST and POWER attributes for all parts of a particular definition. For example, you can set the COST attribute of all components in the library that are defined as NPN or RESISTOR. This only affects the initial attribute of the part when it is placed in a schematic.



Copy: This command copies the current component to the clipboard, awaiting a paste operation.



Paste: This command pastes the clipboard component with a generic name to the slot before the currently selected component in the Component Selector.



Replace: The command replaces the current component description with the one in the clipboard except for the part name which remains the same.



Delete: This deletes the selected file, group, or component. Files are removed from the list of files that comprise the Component library, but are not deleted from the disk.



The *Move Parts* button accesses a dialog box which facilitates moving multiple parts from one part of the library to another.



The *Undo* button undoes prior edits. It is a multistage undo for edits to the data fields. It does not undo part additions/deletions.



The *Redo* button restores prior edits. It is a multistage redo for edits to the data fields. It does not redo part additions/deletions.



The *Find* button finds parts whose name, shape, definition, or memo fields match a specified text string.



Zoom-In: This command increases the displayed shape size. It doesn't affect the shape size as seen in the schematic.



Zoom-Out: This command decreases the displayed shape size. It doesn't affect the shape size as seen in the schematic.



The *Info* command loads and displays relevant model information for the part, usually a subckt listing or a model statement.



The *Sort* command lets you sort the parts and/or groups alphabetically.



Clear Palettes: This command clears the user-defined content of the component palettes.



Help: This command accesses the help files for the Component editor.

Data fields:

Name: This is the component name as it appears in the Component menu.

Shape: This is the shape group and name. The Group Name list on the left shows the available group names. The Shape Name list on the right shows the available shape names. You can edit the group / name associations from the <Edit List> item at the top of the Group Name list.

Definition: This is the electrical definition of the component. It implicitly defines the mathematical model to be used. It does not specify the numeric parameters. These come from a model library or a model statement name in the Attribute dialog box when the component is added to a circuit.

Type: This optional field appears when the *Definition* is set to Subckt. It has five possible values.


Standard	For non-IBIS subcircuits
IBIS Input	For IBIS input buffers
IBIS Input with Supplies	For IBIS input buffers with power pins
IBIS Output	For IBIS output buffers
IBIS Output with Supplies	For IBIS output buffers with power pins

Cost: This optional field is used in the Bill of Materials report where it is listed individually and included in the circuit totals.

Power: This optional field is used in the Bill of Materials report where it is listed individually and included in the circuit totals.

Palette: This list box lets you assign the currently displayed part to one of the component palettes.

Memo: This field may be used for any desired documentation purpose. It is mainly used to describe the function of the component.

Link Field: This field provides space for a link to an internet URL, or a local document or executable file. To use the link, double-click on the part in the schematic to invoke the Attribute dialog box, then click on the File Link. You can also single-click on the part while in Link mode  to invoke the link.

View: This controls what the Shape display shows:

Pins: This shows the pin names.

Attribute Text Orientation 1. There are eight basic combinations of rotation and reflection but only two text orientations are needed. Orientation 1 is used for rotations that are equivalent to 0 degrees. As with other cases, this controls only the initial placement of attribute text.

Attribute Text Orientation 2. Orientation 2 is used for rotations that are equivalent to 90 degrees.

Options:

Assign Component Name to MODEL (or NAME , or File, or others): This assigns the component name to the MODEL or NAME attribute when the part is placed in a schematic. This bypasses the Attribute dialog box, and simplifies the process of adding components. This option is enabled on all Analog and Digital Library parts and is disabled on all Analog and Digital Primitive parts.

Display PART Attribute, Display VALUE Attribute, and Display MODEL Attribute: These options set the display flag for the attributes. They control the initial display only, when the part is first placed. Afterwards, display is controlled by toggling the appropriate display flag in the Attribute dialog box.

Display Macro Parameter Names and Values: This option sets the Show flag for the Value and Name text for each macro parameter. A macro with this option set will show the name and value of all parameters when placed in a schematic. The Show flags can, of course, be individually toggled on or off after placement.

Display Pin Names and Display Pin Numbers: These options set the initial display flag for showing pin names and package pin numbers. These flags can be individually changed on the part when it is placed in a schematic. Pin names are normally shown for complex LSI parts, but not shown for simpler components, such as diodes and transistors, since their shapes adequately identify the pin names. It is easy to identify the base lead of an NPN, but not so easy to identify pin names on a complex linear part. Pin number display is mostly used to facilitate PCB work.

Shape / pin display:

This display shows the shape and its pins. Placing named pins on the shape associates specific shape locations with electrically, subcircuit, or macro defined pin names. When you add a basic component, like an NPN transistor, pin names automatically appear and need only be dragged to suitable locations on the shape. Pins and their names may be independently located on the shape by dragging the pin dot or the pin name.

Since macros and subcircuits have no intrinsic pin names, the user must specify the pin names and their position on the shape. This is done by clicking in the Shape / pin display, typing the pin name into the Pin Name dialog box, specifying whether it is an analog or a digital pin, and then dragging the pin to the proper position on the shape.

Editing an existing pin name involves double-clicking on the pin name or pin dot to invoke the Pin Name dialog box.

Hidden pins are assigned to a fixed named node in the schematic and are never displayed. This type of pin is occasionally used to simplify the process of wiring up power pins.

Additional pin fields:

Some digital parts have a variable number of pins and thus require an additional Pin field to specify the number of input, output, or enable pins. For example, a nor gate may have an unlimited number of inputs. An Input field then specifies the number of inputs.

Component Selector:

The selector is a hierarchical list box that lets you select a component for viewing or editing. To open or close a group, double-click on it, or click once on its + or - box. To select a component, click on it.

The display order used in the Component editor is also used in the Component menu to select parts for placement in the schematic.

Total Components:

This shows the number of components in all files currently open in the Component library.

Adding components to the library

As originally supplied, the Component library contains all of the usual components that you ordinarily need. The main use of the Component editor is to define new macro and subckt components, although you might find it desirable to add your own common components. You may, for instance, wish to create several types of grounds, or several types of resistors to reflect different physical construction, or to explicitly denote the plus and minus leads. Users may also need to add a part whose model has been supplied by a vendor in the subckt format.

We will first describe the detailed procedure. Later we'll describe a wizard that simplifies adding parts by automating and hiding some of the steps.

To add a component to the library you first choose its group by clicking on the group name in the component selector. Next, you click on the Add Part button and specify the following:

- The name of the component.
- The name of the shape it uses.
- The electrical definition.
- An optional memo description.
- The initial text coordinates of the attributes (by dragging text into place).
- The pin name locations (by dragging pin name origin markers into place).
- The display options.

If the component is a macro, subcircuit, logic expression, pindly, or constraint, then named pins must be explicitly added. Normally, logic expressions, pindlys, and constraints are used only in subcircuits as building blocks for the Digital library, so the Component library has only token components of this type. It is not expected, for example, that a user will want to add a logic expression to a schematic, but it is possible.

This covers only the Component library setup. Other steps are required to make the part available for use in a simulation. These can be done manually or can be handled automatically with the Add Part wizard, described later.

Adding subcircuits to the library

Many vendor-supplied models are already included in the library. This section shows you how to add new ones. We'll add a hypothetical OPAMP called the OP09_AD. This component is similar to the OP08 component supplied by Analog Devices. The subcircuit, as typically supplied by a vendor, is shown below.

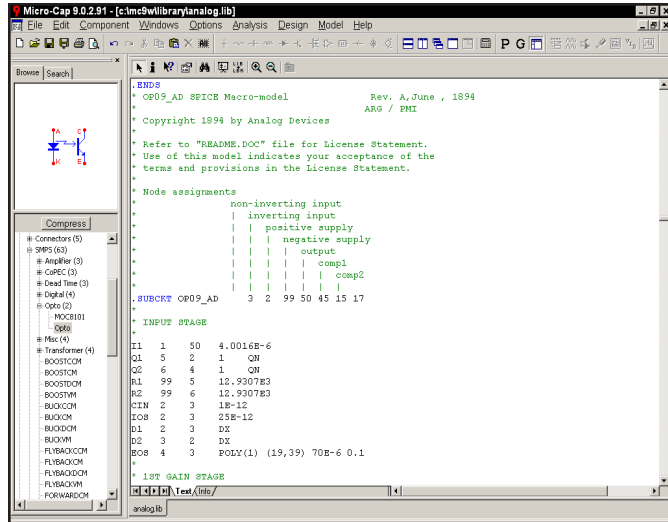
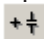


Figure 4-2 The OP09_AD subcircuit model

Note that the subcircuit employs seven pins, arranged as follows:

<u>Pin name</u>	<u>Function</u>
3	Non-inverting input
2	Inverting input
99	Positive supply
50	Negative supply
45	Output
15	Comp1
17	Comp2

The first decision is where in the menu hierarchy to place the new component. Click on the Analog Library + symbol in the Component selector. Select Analog Library / Opamp / Precision/Rail-to-Rail / O / OP07_LT. Finally, click on the Add Part  button. Type "OP09_AD" in the Name field. Press the Tab key to move to the Shape Group field. Press Tab again to accept the Main group and to move to the Shape Name field. Press O until Opamp7 is shown. Press the Tab key

to move to the Definition field. Press S until Subckt appears. Enable the Assign Component Name to NAME feature. Enable the Display PART Attribute and Display NAME Attribute features.

The next step is to add the pins. Click in the Shape / pin display. Type "3" into the Pin Name dialog box that appears. Note that the default pin type is analog. Click on the OK button. This places a pin named 3 in the display. Drag the pin dot to the non-inverting (+) input and release it there. Drag the pin text to just above the pin dot. Now add the remaining pins in the same manner. Click on Attribute Text Orientation 1 and drag the text to a suitable position out of the likely wire connection paths. Repeat for Attribute Text Orientation 2. Then click on Pins. The final display should look like this:

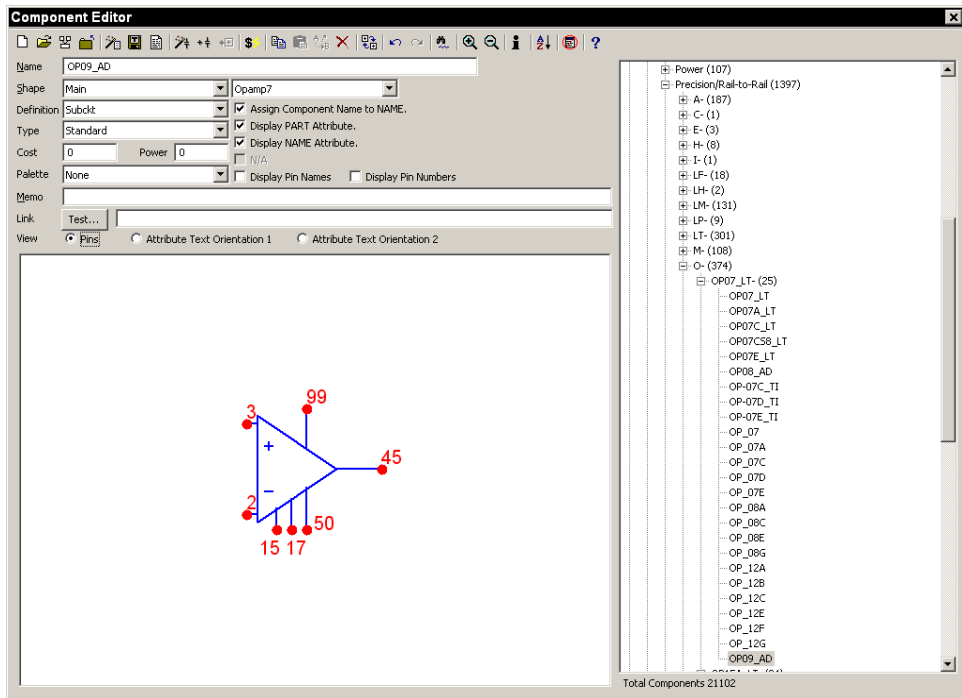


Figure 4-3 Entering the OP09_AD subckt in the Component library

This completes the Component library entry. Exit the Component editor. Click OK if you want to save the part edits. If you do click OK, the edits are saved in the Component library, assuring that it is on the Component menu and available for placement in a schematic. It also means that MC9 knows that it is a subcircuit and will be expecting to find the subcircuit model in one of several places:

1. In the text area.
2. In the optional file listed in the FILE attribute.
3. In a file referenced in a user .LIB statement.
4. In a file referenced in the default .LIB NOM.LIB statement.

.LIB statements are the preferred way of handling vendor-supplied subcircuit models. In this case you would presumably have received a file from the vendor. Lets call it AD.LIB. The file would contain the subcircuit model for the new OP09_AD device and possibly many more besides. The name of the new file must be added to the .LIB statements you plan to use in the schematic. If you do not add .LIB statements to your schematics but rely on the default NOM.LIB statement, then the new file name must be added to the NOM.LIB file so that MC9 can access it. The NOM.LIB file is a standard text file, so you can add the new entry using any text editor, including the MC9 text editor. Load NOM.LIB from the *library* directory. Add the following text to the NOM.LIB file.

```
.LIB "AD.LIB"  
(if AD.LIB is in the current library directory)
```

```
.LIB "C:\MYPATH\AD.LIB"  
(if AD.LIB is at C:\MYPATH)
```

On the next access of the NOM.LIB file, MC9 will discover that it has been modified and will regenerate a new index to all of the subckt, model, and macro statements in the file. This can take several seconds. After the index is generated, finding a particular model, subckt, or macro statement is quite fast. Indices are regenerated only when the NOM.LIB file or one of the files referenced in the NOM.LIB file changes.



Note that the component name as entered in the Component library must match the subckt name exactly.

No extra or missing characters are allowed. Many vendors supply standard components using the same name, so MC9 libraries must distinguish them. That is why a two letter name like '_AD' is appended to the name as supplied by the vendor. For example, the LM118 supplied by Linear Technology is LM118_LT. The National Semiconductor version is LM118_NS. If you add duplicate models, you should rename them also. Don't forget to change the name used in the .SUBCKT statement in the vendor supplied file to match the new name.

Using the Add Part wizard

The lengthy procedure just described shows how to add a subckt part from scratch. The Add Part wizard can often simplify this task. It combines all of the steps required to enter a new part and is particularly nice for subckt parts where it can often guess the correct pin placement and shape based upon similar parts already in the library.

We'll illustrate the procedure with the sample file, AD.LIB supplied with MC9, and located in the library folder. Pretend that you have just downloaded it from a vendor. In the file is a subckt description for the OP09_AD opamp. Here is how you add it to the library using the Add Part wizard.

- 1) Select **Component Editor** from the **Windows** menu.
- 2) Select the group where you want the part name to appear in the Component menu. In this case, select Analog Library / Opamp / Precision/Rail-to-Rail / O / OP07_LT. If you have already entered this part manually from the last section, delete it now by selecting it and pressing the Delete  button.
- 3) Click on the Add Part wizard  button.
- 4) The first prompt is for the electrical definition. Select Subckt. Click Next.
- 5) The prompt asks for the name of the file containing the subckt. Type AD.LIB (the file is already in the library folder so no path is needed). Click Next.
- 6) The next dialog box lists all of the candidate parts found in the AD.LIB file. Select "OP09_AD". Click Next.
- 7) The next prompt is the tricky one. The wizard scans the Component library and compiles a list of all subcircuit parts that have pin names matching the OP09_AD. Actually it presents only a representative list, as there may be many matching parts. Accept the recommended choice since this is a typical seven-pin opamp model. Click Next.
- 8) The next prompt asks for an optional memo field. Click Next.
- 9) The next prompt asks for an optional palette assignment. Click Next.

10) The next panel lets you set the initial display of the various part attributes. Click Next.

11) The next panel lets you make the assignment of the component name to the NAME attribute. This assignment avoids the need to invoke the Attribute dialog box when one of these parts is added to a schematic. Click to enable the option. Click Next.

12) The final panel advises you to examine the entry to be sure all elements have been selected properly, particularly the choice of shape and where the pin names have been placed on the shape. Click Finish.

For our example, the new part should look like this:

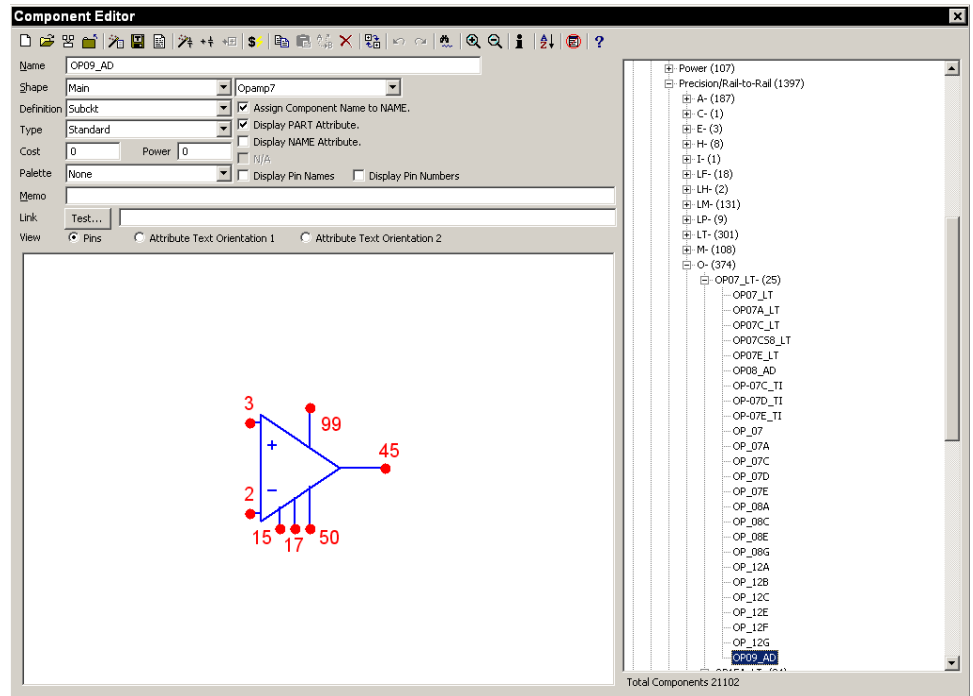



Figure 4-4 Using the Add Part wizard

The display should be exactly like the one added in the previous section.

Using the Import wizard

MC9 also includes an Import wizard for importing large numbers of similar .MODEL and .SUBCKT-based parts.

We'll illustrate the procedure with the sample file, AD.LIB supplied with MC9, and located in the library folder. We'll pretend that you have just downloaded it from a vendor. In the file are multiple subcircuits. Here is how you add them to the library using the Import wizard.

- 1) Select **Component Editor** from the **Windows** menu.
- 2) Select the group where you want the part names to appear in the Component menu. For this illustration simply select Analog Library.
- 3) Click on the Import wizard  button.
- 4) The first prompt is for the file name. Type in "ad.lib". In this example, you don't need to specify a path since the file is already in the MC9 library folder. If it were not, you would specify or browse to the location of the file. Click Next.
- 5) The next prompt is for an optional suffix. Click Next.
- 6) The program scans the ad.lib file looking for subcircuits and models. When it finds one, it scans the library for parts with the same pin names. There are several possible outcomes from this search:

Exact Match: If the search finds one or more exact pin matches and all matching parts use the same shape it simply enters the part using the shape and pin locations from the matching parts.

Near Miss: If the search finds one or more exact pin matches and the matching parts use different shapes, it presents a list and asks you to select a part. If you are unsure about which part to use, scan the subcircuit listing in the Info dialog box, especially the comments near the .MODEL or .SUBCKT line. These often reveal enough about the part to pick a suitable shape. You may want to create a special shape for the part.

No Match: If the search finds no matches, it enters the part using a generic shape and pin placements and annotates the memo field to indicate additional work is needed.

In this example, the search turned up one near miss part, the IRF5101A, an N-channel MOSFET. Select the 2N6782_IR part, which uses the DN MOS shape. Click OK.

The search results are shown in the dialog box. Several parts with exact matches were found and these parts were entered without assistance. No matches were found for the ODDBALL part so it was entered generically. The IRF5101A was entered using the 2N6782_IR as a template.

At this point you can click the Finish button or the Cancel button. Pressing the Cancel button ignores the imported parts. Pressing the Finish button adds them, but does not yet write the changes to disk. When you exit the Component editor, you can elect to save the changes by writing them to disk.

Click on the IRF5101A. The display should end up like this:

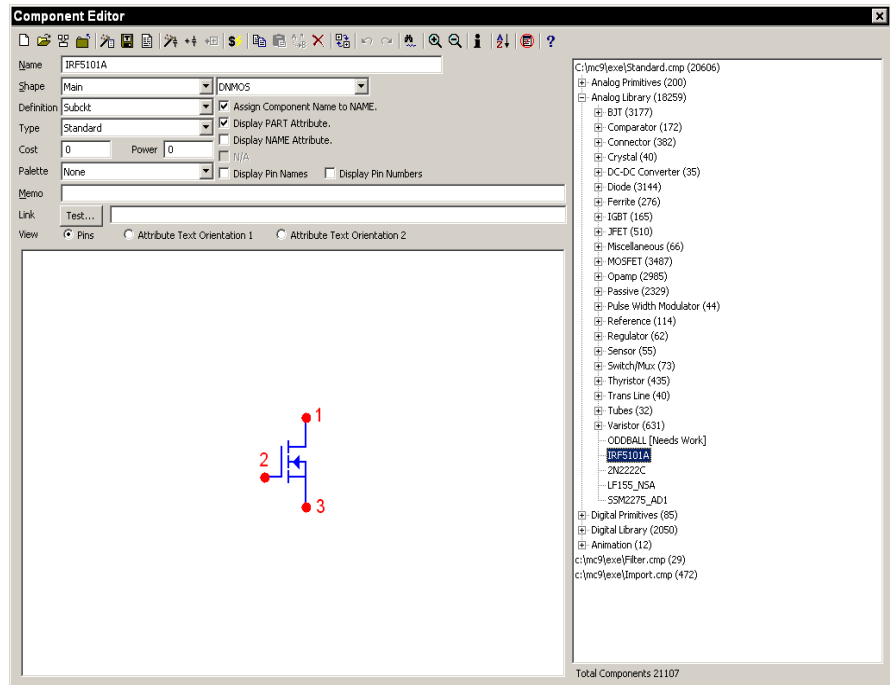


Figure 4-5 Using the Import wizard


Using Copy, Paste, and Replace

The clipboard can also be used for rapid entry of similar parts. To illustrate, assume we want to enter a number of 7 pin opamp parts from Analog Devices that use the same pins as the OP08_AD part listed previously in this chapter.

1) Select **Component Editor** from the **Windows** menu.

2) Select the part that is to serve as a template. For this illustration simply select Analog Library / Opamp / Precision/Rail-to-Rail / O / OP07_LT / OP08_AD.

3) Click on the Copy  button. The program copies the OP08_AD to the clipboard.

4) Click on the Paste  button. MC9 pastes the clipboard part (the OP08_AD) to a new position, and names it OP08_AD_1. Change its name to OP09_AD and you've just entered the OP09_AD part. Each new part added takes one click and a few keystrokes for the name.

The Paste operation adds a new part using all of the properties of the clipboard part except the name which is generic and must be changed by the user.

The Replace operation is similar, but it does not add a part. It merely replaces the properties of the selected part with those from the clipboard part, except for the name, which remains the same. The purpose of this command is to replace many nearly identical parts with a new template where the pin placements or attribute text placement is to be made uniform.

Making circuit files portable


Micro-Cap 5 and 6 could not load a circuit file if it contained a part that was not already in the component library. If you wanted to share a circuit with a friend, you had to send your component and sometimes your shape library along with the circuit. That is no longer necessary.

To improve file portability, circuit files now contain copies of their shape and component library data. Your friend's Micro-Cap can now read your circuit file without needing your shape and component libraries because the circuit file itself has that information.

When Micro-Cap loads a circuit file containing a part that is not in the Component library (i.e. not listed in any of the currently open component library files), it reads the shape and component data from the circuit file, automatically creates an entry for the part, and places it in the auxiliary component library file, IMPORT.CMP. This makes the part instantly usable. Note that the circuit file must have been saved in MC7, MC8 or MC9 format for this feature to be available.

You can drag or move the part into any group of any component library file. Until deleted, the part is available for use in any circuit.

The check box at **Preferences / Options / Circuit / Component Import** can be used to defeat this feature. If not checked, shape or component information from a circuit file is not imported.

If your friend also wants to run a simulation, they will need model information as well. The Localize Models  button adds or updates model statements, subckts and macros, and copies them into the circuit file so that the circuit file alone is all that is needed to run an analysis.

What's in this chapter

The Package editor manages the Package library. This library provides the package information for the components in the MC9 Component library and enables the program to create netlist files for use by external PCB programs. It stores the name of each package and the pin information for each package. All package information is linked to the components using the Package editor.

This chapter is organized as follows:

- The Package editor layout
- Adding basic packages to the library
- Adding complex packages to the library

Features new in Micro-Cap 9

- The Find command has been improved with an "As you type" search.
- The Delete command now displays the part prior to the deleted part rather than the first part.

The Package editor layout

The Package editor is accessed from the Windows menu. It looks like this:

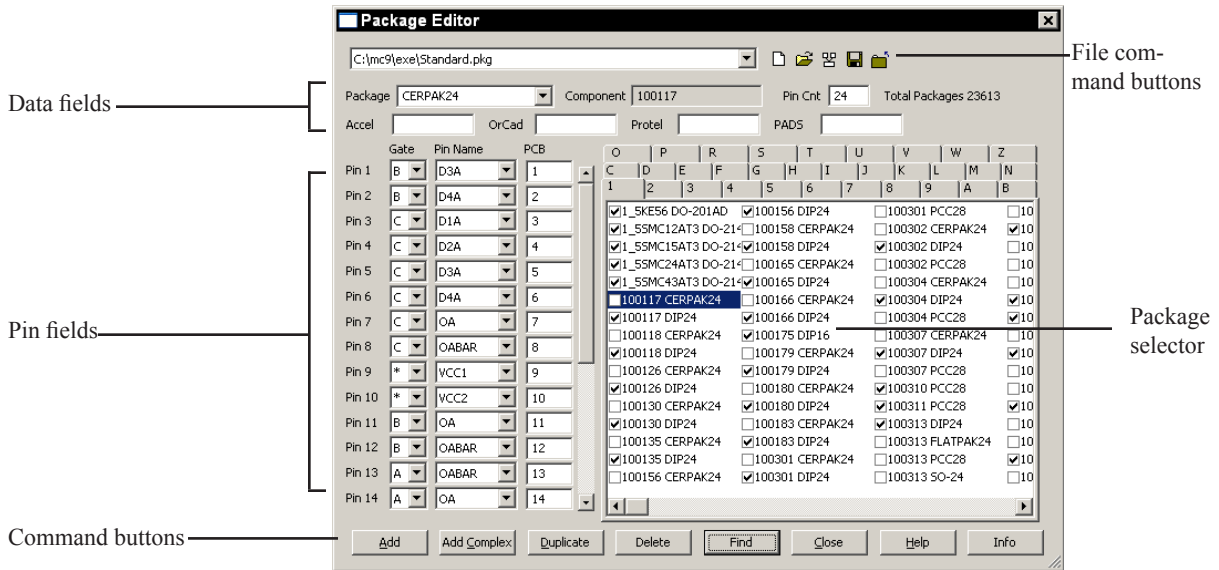


Figure 5-1 The Package editor

Command buttons:

Add: This command adds an entry to the Package library. A Find dialog box appears requesting the name of the component whose package and pin information is to be defined. This command should be chosen when the package contains only one instance of the specified component.

Add Complex: This command adds an entry to the Package library. A Find dialog box appears requesting the name of the component whose package and pin information is to be defined. This command should be chosen when the package contains multiple instances of the specified component.

Duplicate: This command duplicates the currently selected entry, except for the component name, which is chosen from a Find dialog box. The purpose of the command is to speed data entry when the new part is very similar to an existing part, except for the component name.

Delete: This command deletes the highlighted package.

Find: This command finds a specified library entry. A Find dialog box appears requesting the text of the entry. The text would typically be the part name followed by the package type, although the search routine works with fragments by returning multiple items. For example, performing a find on "740" will return all entries that start with 740.

Close: This command closes the Package editor and optionally saves any changes to the package file.

Help: This command accesses the Package editor Help system.

Info: This command displays model information for the selected part.

File command buttons:



New: (CTRL + N) This command creates a new package library file. Any packages added to it are available for use in the Package library.



Open: (CTRL + O) This command loads an existing package library file. Its packages are then available for use in the Package library.



Merge: This command merges a package library file (*.PKG) with the current package library file. It provides a dialog box to let you locate the external library file that you want to merge with the current library. Only unique packages from the external library file are included. Packages with duplicate names are not merged.



Save File As: This command saves the current package library file under a new name specified by the user.



Remove: This command removes the currently loaded package library file. Its packages are no longer available for use in the Package library.

Data fields:

Package: This is the package as it will appear in the Attribute dialog box of the specified component for the PACKAGE attribute.

Component: This is the component that the package is being defined for. This field is fixed except when the package is first entered from an Add, Add Complex, or Duplicate command.

Pin Cnt: This controls the pin count for the entry.

Accel: This field overwrites the Package field when the schematic is translated to an Accel netlist.

OrCad: This field overwrites the Package field when the schematic is translated to an OrCad netlist.

Protel: This field overwrites the Package field when the schematic is translated to a Protel netlist.

PADS: This field overwrites the Package field when the schematic is translated to a PADS netlist.

Pin fields:

These fields define the configuration of the pins in the PCB netlist. For a basic package, there are two fields: Pin Name and PCB. The Pin Name fields contain the names of the pins as they appear in Micro-Cap for the specified component. These are the pin names as they appear in the Component editor. If the Pin Name is set to NC#, (no connection) the corresponding PCB field is ignored. The PCB fields contain the names of the pins that will be used in the output PCB netlist. Normally, these are the pin numbers from the component's data sheet that correspond to the pins specified in the Pin Name fields. For a complex package, a third field, called Gate, will be present. Since a complex package contains multiple instances of the component, the Gate fields must specify which instance the pin is being defined for. A '*' in the Gate field indicates that all instances of the component in the package share this pin.

Package selector:

The selector is a list box that lets you select a package for viewing or editing. The packages are sorted in groups according to their first character. The tabs at the top of the selector control the group that is shown in the list box.

Where more than one package is available for a part, a default package can be specified by clicking on the adjacent check box. When the part is placed in a schematic, the default package is specified for the PACKAGE attribute.

Expanding the Package editor window size:

To expand the Package editor window size, move the mouse to one of the window edges and when the two-headed arrow icon comes up drag the window edge with the left mouse button.

Adding basic packages to the library

The Package library contains package information for most of the components that come with Micro-Cap. The main use of the Package editor is to define new packages. Figure 5-2 displays the package information for the 74164 component which uses a basic package. The data sheet for this component can be found in TI's TTL Logic data book.

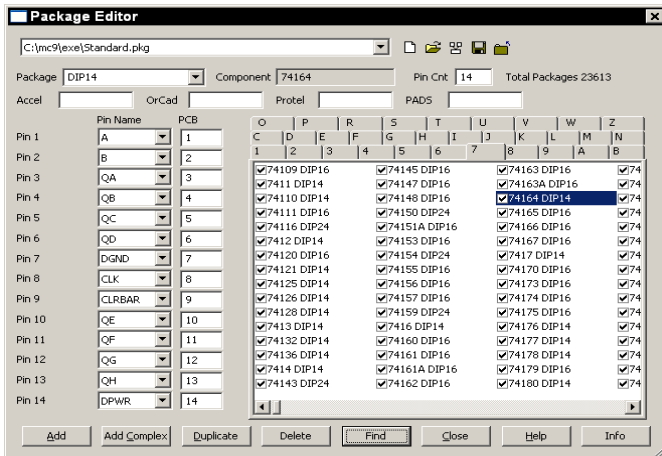


Figure 5-2 The Package editor settings for the 74164

Adding a basic package uses the following procedure:

- Click on the Add command button.
- In the Find Component dialog box, specify the component name such as 74164.
- Define the package type in the Package field such as DIP14.
- Define the number of pins in the Pin Cnt field such as 14.
- Define the Pin Name fields with their corresponding PCB fields. Click on the drop-down list of a Pin Name field to view the available pin names. For example, in TI's data sheet for the 74164, pin 1 on the package is specified as the A pin. In the Package editor, the Pin Name field should be set to A, and its corresponding PCB field should be set to 1.

Adding complex packages to the library

Figure 5-3 displays the package information for the 7400 component which uses a complex package. The data sheet for this component can be found in TI's TTL Logic data book.

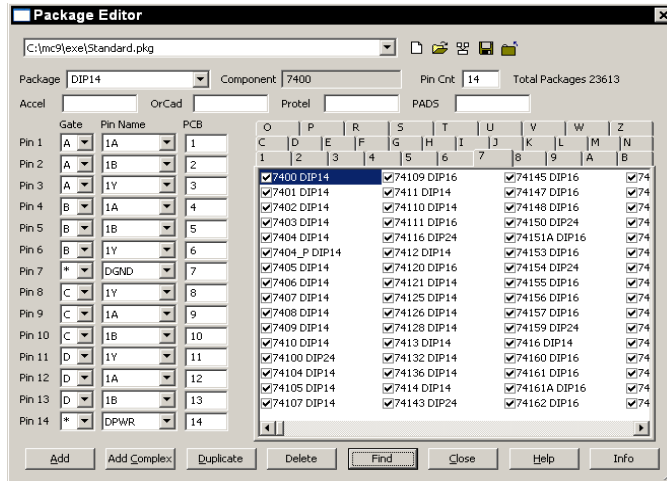


Figure 5-3 The Package editor settings for the 7400

Adding a complex package uses the following procedure:

- Click on the Add Complex command button.
- In the Find Component dialog box, specify the component name such as 7400.
- Define the package type in the Package field such as DIP14.
- Define the number of pins in the Pin Cnt field such as 14.
- Define the Pin Name fields with their corresponding Gate and PCB fields. Click on the drop-down list of a Pin Name field to view the available pin names. For example, in TI's data sheet for the 7400, pin 4 on the package is specified as the 2A pin which is the 1A pin for the second instance of the 7400 component in the package. In the Package editor, the Pin Name field should be set to 1A, the Gate field to B to denote the second instance of the component, and the PCB field to 4.

What's in this chapter

Transient analysis requires the repeated iterative solution of a set of nonlinear time domain equations. The equations are derived from the time-domain models for each of the components in the circuit. The device models are covered in a later chapter.

The principal topics described in this chapter include:

- What happens in transient analysis
- Transient Analysis Limits dialog box
- Transient menu
- Initialization
- Using the P key
- Numeric output

Features new in Micro-Cap 9

- A new Waveform Buffer saves waveforms for later recall.
- Dynamic Analysis automatically reruns the analysis and redraws the plot as the circuit is edited. Slider bars can be assigned to any parameter that can be stepped to provide easy slide-bar editing.
- New Operating point calculation routines are available for difficult circuits. Users can now select the operating point methods to be used and the order.
- Analysis Window tabs provide easy selection of Monte Carlo windows, 3D plots, performance plots, numeric output, and analysis plots.
- Accumulate plots option accumulates waveforms or curves that result from editing the circuit.
- Clear Accumulated Plots command clears accumulated plots.
- Plot Pages allow plot grouping and selection.
- The Expand dialog box now has zoom buttons for making the text larger (for those of us with more mature eyes).

What happens in transient analysis

Transient analysis predicts the time-domain behavior of a circuit. It tries to predict what would happen if you built the circuit in the lab, hooked up power supplies and signal sources and looked at the curves with a scope or a logic analyzer.

The program begins by constructing a set of nonlinear, time-varying, differential equations to represent the circuit. The remaining process is comprised of three steps:

- Initialization of state variables
- DC operating point (optional)
- Main transient analysis

Initialization of state variables:

The initialization process is explained in more detail later in this chapter. State variables include node voltages, inductor currents, and digital node states.

Optional DC operating point:

The purpose of the operating point is to establish, by iterative calculation, a stable set of state variable values that represent the steady state condition the circuit is assumed to have for the Time = 0 starting point of the transient analysis. The operating point is calculated by treating capacitors as open circuits and inductors as shorts. Using a DC nonlinear model for the other devices in the circuit, the program linearizes the model about the last set of state variable values. Linearizing means replacing the nonlinear model with simple numeric constants that express a linear relationship between the terminal voltages and currents of the device. These numeric constants are usually obtained by differentiating the state variables with respect to their controlling variables. The linear model is assumed to hold over the interval of one iteration. The program then solves for the incremental voltages and currents. It adds these increments to the prior state values, and checks to see if they have stabilized, or converged. When all state variables have converged, the operating point is complete and the program starts the main transient analysis.

Main transient analysis:

The main transient analysis begins with the state variables computed during the operating point, or the initialized values if the operating point was skipped. Using a standard nonlinear time-domain model for each device in the circuit, the program linearizes the models about the last set of state variable values. It then solves a set of linear equations for incremental voltages and currents. It adds

these linear increments to the prior state variable values and checks to see if they have stabilized. When all of the state variables have stabilized, convergence at this data point is achieved and the data point is evaluated to see if the local truncation error (LTE) is acceptable. If so, the time point is accepted and added to the plot, time is incremented, and the next data point is attempted. If the LTE is not acceptable, the data point is discarded, the time step is reduced, and a new data point is attempted. This process continues until the time variable equals the specified t_{max} .

To summarize, the basic conceptual sequence for Transient analysis is as follows:

1. Initialize state variables.
2. Optionally calculate the DC operating point.
3. Set $T_{last} = T = t_{min}$ and $DT = \text{minimum time step}$.
4. Solve for all state variables.
5. If variables have converged go to step 6, else go to step 4.
6. If LTE of state variables is acceptable go to step 8.
7. Discard time point: $DT = DT/2$, set $T = T_{last}$, and go to step 4.
8. Plot or print requested variables. Set $T_{last} = T$.
9. If Time equals t_{max} , quit.
10. $Time = Time + \text{time step}$.
11. Go to step 4.

The Transient Analysis Limits dialog box

Load the MIXED4 circuit file and select **Transient** from the **Analysis** menu. MC9 extracts the necessary circuit information directly from the schematic. More information is needed before the analysis can begin, and that information is supplied by the Analysis Limits dialog box.

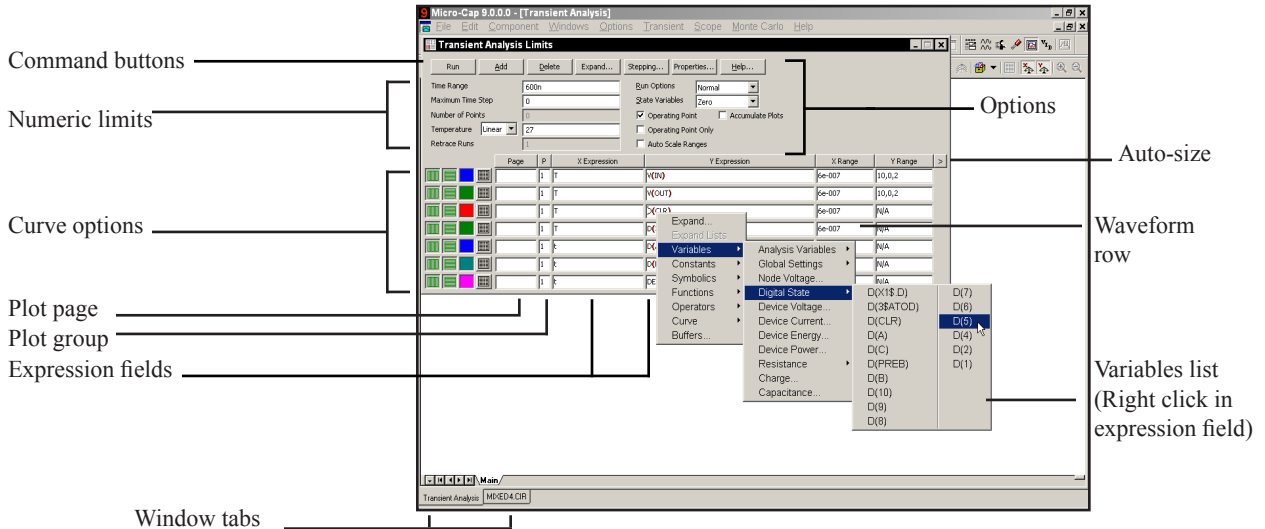



Figure 6-1 The Analysis Limits dialog box

The Analysis Limits dialog box is divided into five areas: the Command buttons, Numeric limits, Curve options, Expression fields, and Options.

Command buttons

The Command buttons are located just above the Numeric limits field.

Run: This command starts the analysis run. Clicking the Tool bar Run button  or pressing F2 will also start the run.

Add: This adds another Curve options field and Expression field line after the line containing the text cursor. The scroll bar to the right of the Expression fields scrolls through the curves when there are more than can be displayed.

Delete: This deletes the waveform row where the text cursor is.

Expand: This command expands the text field where the text cursor is into a large dialog box for editing or viewing. To use the feature, click the mouse in the desired text field, and then click the Expand button. Use the Zoom buttons to adjust text size.

Stepping: This command invokes the Stepping dialog box. Stepping is reviewed in a separate chapter.

Properties: This command invokes the Properties dialog box which lets you control the analysis plot window and the way curves are displayed.

Help: This command invokes the Help screen which provides information by index and topic.

Numeric limits

The Numeric limits field provides control over the analysis time range, time step, number of printed points, and the temperature(s) to be used.

- **Time Range:** This field determines the start and stop time for the analysis. The format of the field is:

$\langle tmax \rangle [, \langle tmin \rangle]$

The run starts with time set equal to $\langle tmin \rangle$, which defaults to zero, and ends when time equals $\langle tmax \rangle$.

- **Maximum Time Step:** This field defines the maximum time step that the program is allowed to use. The default value, $(\langle tmax \rangle - \langle tmin \rangle) / 50$, is used when the entry is 0.

- **Number of Points:** The contents of this field determine the number of printed values in the numeric output. The default value is 51. Note that this number is usually set to an odd value to produce an even print interval. The print interval is the time separation between successive printouts. The print interval used is $(\langle tmax \rangle - \langle tmin \rangle) / ([number\ of\ points] - 1)$.

- **Temperature:** This field specifies the global temperature(s) of the run(s) in degrees Celsius. This temperature is used for each device unless individual device temperatures are specified. If the Temperature list box shows Linear or Log the format is:

$\langle high \rangle [, \langle low \rangle [, \langle step \rangle]]$

The default value of $\langle low \rangle$ is $\langle high \rangle$, and the default value of $\langle step \rangle$ is $\langle high \rangle - \langle low \rangle$ (linear mode) or $high/low$ (log mode). Temperature values start at $\langle low \rangle$ and are either incremented (linear mode) or multiplied (log mode) by $\langle step \rangle$ until $\langle high \rangle$ is reached.

If the Temperature list box shows List the format is:

$\langle t1 \rangle [, \langle t2 \rangle [, \langle t3 \rangle] [, \dots]]$

where $t1, t2, \dots$ are individual values of temperature.

One analysis is done at each specified temperature, producing one curve branch for each run.



Retrace Runs

This field specifies the number of retrace runs.

Curve options


The Curve options field is located below the Numeric limits field and to the left of the Expressions field. Each curve option affects only the curve in its row.

Log/linear


The first option toggles the X-axis between a linear  and a log  plot. Log plots require positive scale ranges.

The second option toggles the Y-axis between a linear  and a log  plot. Log plots require positive scale ranges.

Color

The  option activates the color menu. There are 64 color choices for an individual curve. The button color is the curve color.

Numeric Output

The  option prints a table showing the numeric value of the curve. The number of values printed is set by the Number of Points value. The table is printed to the Output window and saved in the file CIRCUITNAME.TNO.

Plot page

This field lets you organize waveforms into groups which can be selected for viewing from the tabs at the bottom of the plot window.

Plot group

A number from 1 to 9 in the (P) column selects the plot group the curve will be plotted in. All curves with like numbers are placed in the same plot group. If the P column is blank, the curve is not plotted.

Expression fields

The X Expression and Y Expression fields specify the horizontal (X) and vertical (Y) expressions. MC9 can evaluate and plot a wide variety of expressions for either scale. Usually these are single variables like T (time), V(10) (voltage at node 10), or D(OUT) (digital state of node OUT), but the expressions can be more elaborate like $V(2,3)*I(V1)*\sin(2*PI*1E6*T)$.

Variables list

Clicking the *right* mouse button in the Y expression field invokes the Variables list which lets you select variables, constants, functions, operators, and curves, or expand the field to allow editing long expressions. Clicking the *right* mouse button in the other fields invokes a simpler menu showing suitable choices.

The X Range and Y Range fields specify the numeric scales to be used when plotting the X and Y expressions.

The format is:

<high> [,*<low>*] [,*<grid spacing>*] [,*<bold grid spacing>*]

<low> defaults to zero. [,*<grid spacing>*] sets the spacing between grids. [,*<bold grid spacing>*] sets the spacing between bold grids. Placing "AUTO" in the X or Y range calculates the range automatically. The Auto Scale Ranges option calculates scales for all ranges during the simulation run and updates the X and Y Range fields. The Auto Scale (F6) command immediately scales all curves, without changing the range values, letting you restore them with CTRL + HOME if desired. Note that *<grid spacing>* and *<bold grid spacing>* are used only on linear scales. Logarithmic scales use a natural grid spacing of 1/10 the major grid values and bold is not used. Auto Scale uses the number of grids specified in the **Properties dialog box (F10) / Scales and Formats / Auto/Static Grids** field.

Options

- **Run Options**

- **Normal:** This runs the simulation without saving it.

- **Save:** This runs the simulation and saves it to disk, using the same format as in Probe. The file name is NAME.TSA.

- **Retrieve:** This loads a previously saved simulation and plots and prints it as if it were a new run. The file name is NAME.TSA.

- **State Variables**

These options determine the state variables at the start of the next run.

- **Zero:** This sets the state variable initial values (node voltages, inductor currents, digital states) to zero or X.

- **Read:** This reads a previously saved set of state variables and uses them as the initial values for the run.

- **Leave:** This leaves the current values of state variables alone. They retain their last values. If this is the first run, they are zero. If you have just run an analysis without returning to the Schematic editor, they are the values at the end of the run. If the run was an operating point only run, the values are the DC operating point.


- **Retrace:** This runs the analysis N times, where N is the number in the Retrace Runs field. For the first run, normal initialization is done and, if requested, the operating point is calculated. Initial conditions are retained for subsequent runs, whether invoked manually with F2 or automatically by using a number greater than 1 in the Retrace Runs field.

- **Operating Point:** This calculates a DC operating point. It uses the initial state variables as a starting point and calculates a new set that represents the DC steady state response of the circuit to the T=0 values of all sources.

- **Operating Point Only:** This calculates a DC operating point only. No transient run is made. The state variables are left with their final operating point values.

- **Auto Scale Ranges:** This sets the X and Y range to AUTO for each new analysis run. If it is not enabled, the existing scale values from the X and Y Range fields are used.

The Run, State Variables, and Analysis options affect the simulation results. To see the effect of changes of these options you must do a run by clicking on the Run command button or pressing F2.

- **Accumulate Plots:** This accumulates waveforms or curves that result from editing the circuit. The Clear Accumulated Plots command  clears accumulated plots.

Resizing

The Analysis Limits dialog box can be resized in a variety of ways:

- **Field size adjustment:** Adjust the field sizes by dragging the lines that separate the column titles (e.g. X Expression, Y Expression, etc.).
- **Auto-size:** Click the auto-size button to the right of the Y Range field to automatically adjust the field sizes to match existing expression lengths.
- **Grow:** Drag the Grow icon in the lower right corner of the dialog box to change the shape / size of the dialog box.

The Transient menu



Run: (F2) This starts the analysis run.



Limits: (F9) This accesses the Analysis Limits dialog box.



Stepping: (F11) This accesses the Stepping dialog box.



Optimize: (CTRL + F11) This accesses the Optimize dialog box.



Analysis Window: (F4) This command displays the analysis plot.

Watch: (CTRL + W) This displays the Watch window where you define expressions or variables to watch during a breakpoint invocation.

Breakpoints: (ALT + F9) This accesses the Breakpoints dialog box. Breakpoints are Boolean expressions that define when the program will enter single-step mode so that you can watch specific variables or expressions.

Operating Point Methods (CTRL + SHIFT + O): This lets you select the operating point method to be used and the order in which each is tried.

3D Windows: This lets you add or delete a 3D plot window. It is enabled only if more than one run is done.

Performance Windows: This lets you add or delete a performance plot window. It is enabled only if there is more than one run.

FFT Windows: This adds or deletes FFT windows. It opens the FFT dialog box, where you can select waveforms and specify FFT parameters.

Slider: This lets you add or delete a slider bar to control a circuit parameter.



Numeric Output: (F5) This shows the Numeric Output window.



State Variables editor: (F12) This accesses the State Variables editor.

Reduce Data Points: This invokes the Data Point Reduction dialog box. It lets you delete every n'th data point.

Exit Analysis: (F3) This exits the analysis.

Initialization

State variables define the state or condition of the mathematical system that represents the circuit at any instant. These variables must be initialized to some value prior to starting the analysis run. Here is how MC9 does the initialization:

Setup initialization:

When you first select a transient, AC, or DC analysis, all state variables are set to zero and all digital levels to X. This is called the *setup initialization*.

Run initialization:

Each new run evokes the *run initialization* based upon the State Variables option from the Analysis Limits dialog box. This includes every run, whether initiated by pressing F2, clicking on the Run button, stepping parameters, using Monte Carlo, or stepping temperature. There are several choices:

Zero: The analog state variables, node voltages, and inductor currents are set to 0. Digital levels are set to X, or in the case of flip-flop Q and QB outputs, set to 0, 1, or X depending upon the value of DIGINITSTATE. This value is defined in the Global Settings dialog box. This is the only option in DC analysis.

Read: MC9 reads the variables from the file CIRCUITNAME.TOP. The file itself is created by the State Variables editor Write command.

Leave: MC9 does nothing to the initial state variables. It simply leaves them alone. There are three possibilities:

First run: If the variables have not been edited with the State Variables editor, they still retain the setup initialization values.

Later run: If the variables have not been edited with the State Variables editor, they retain the ending values from the last run.

Edited: If the variables have been edited with the State Variables editor, they are the values shown in the editor.

Retrace: MC9 does nothing to the initial state variables. It simply leaves them alone.

Device initialization:

Device initialization is the third step. It is always done for the first run and for subsequent runs if Retrace is disabled.

After the State Variables option has been processed, .IC statements are processed. Device IC statements, such as those for inductor current and capacitor voltage, override .IC statements if they are in conflict.

Note that .IC statements specify values that persist throughout the initial bias point calculation.

They are more resilient than simple initial values which can (and usually do) change after the first iteration of the bias point. This may be good or bad depending upon what you are trying to achieve.

Using these initial values, an optional operating point calculation may be done and the state variables may change. If no operating point is done, the state variables are left unchanged from the initialization procedure. If an operating point only is done, the ending state variable values are equal to the operating point values.

The transient analysis begins after the setup, run, and device initializations are complete.

At first glance, you might think Retrace mode could be used to do eye diagrams, but there is a much easier way. Simply use an X expression like this

T MOD Period

instead of the usual T. Period is the expected period of the waveform so a typical X expression might be:

T MOD 2n

See the circuit EYE_DIAGRAM.CIR for an example of how to do this.

The State Variables editor

The State Variables editor is for reviewing or editing state variables. It looks like this:

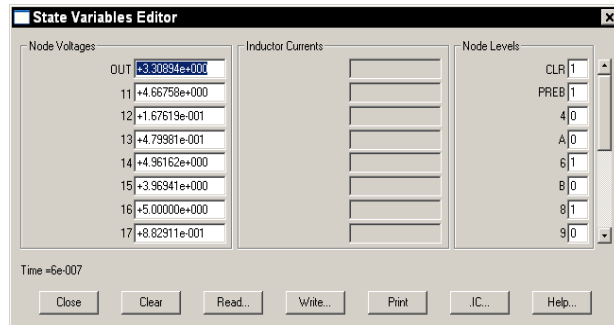


Figure 6-2 The State Variables editor

The editor displays node voltages, inductor currents, and digital node levels. The scroll bars may be used to review values not visible on the display. Any value may be edited.

The command buttons function as follows:

- **Close:** This exits the dialog box.
- **Clear:** This immediately sets all analog values to zero. Digital node levels are set to 'X'.
- **Read:** This immediately reads a new set of values from a disk file, after prompting for a file name.
- **Write:** This immediately writes the displayed values to a disk file using a user-supplied file name. This file is created for use when the Analysis Limits State Variables Read option is selected. The Read option uses the values stored in this file at the Run initialization stage.
- **Print:** This copies the values to a text file called CIRCUITNAME.SVV.
- **.IC:** This command translates the existing state variables into .IC statements and saves them in the circuit's text area. The following translations are made:

State variable	IC statement
Node voltage	.IC V(Node name) = Node voltage
Inductor current	.IC I(Inductor name) = Inductor current
Digital node state	.IC D(Digital node name) = Digital node state

The purpose of this command is to provide a handy way to create .IC statements, which some users prefer as a means of initializing state variables.


It is important to note that the clear and read commands, and all manual edits result in immediate changes, as opposed to the delayed changes made by the Analysis Limits options. The Zero, Read, and Leave options from the Analysis Limits dialog box affect the values at the start of the simulation (Run initialization).


- **Help:** This accesses help topics for the State Variables editor.

Using the P key


During a simulation run, the value of the expressions for each curve can be seen by pressing the 'P' key. This key toggles the printing of the numeric values on the analysis plot adjacent to the expressions. This is a convenient way to check the course of a new, lengthy simulation when the initial plot scales are unknown. This feature may significantly slow the simulation, so only use it to "peek" at the numeric results, then toggle it off with the 'P' key.

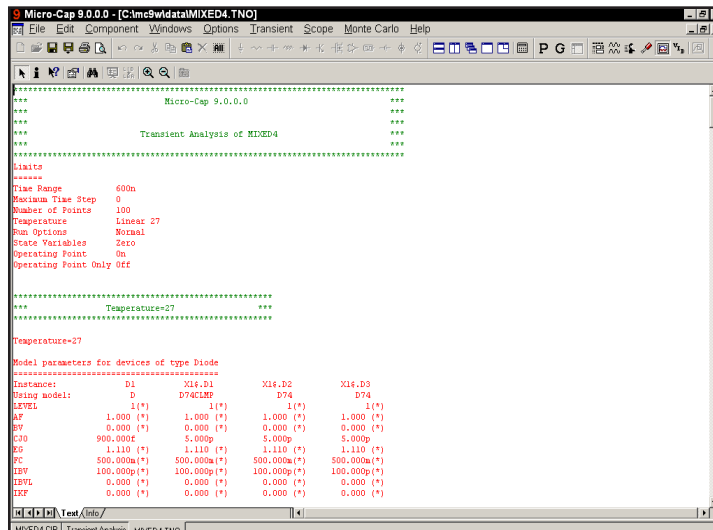
Numeric output

Numeric output may be obtained for each curve by enabling the output button  in the curve row. Content is also controlled from the Numeric Output panel of the Properties dialog box (F10).

- **Curves:** This section allows selection of which curves to print and an alternative alias for the curve name.
- **Show:** This section allows selection of the other material to include in the numeric output file.
 - **Include Numeric Output:** This enables creation of the numeric output file. The other options control content of the file.
 - **Include Main Header:** This prints the main header.
 - **Include Analysis Limits:** This adds the analysis limits.
 - **Include Branch Headers:** This adds branch headers that identify the item(s) being stepped or the Monte Carlo case number.
 - **Include Model Parameters:** This prints model parameters.
 - **Include Zero Parameters:** This enables the printing of zero-valued parameters.
 - **Include Undefined Parameters:** This prints undefined model parameters using their default values.
 - **Include Operating Point Values:** This controls the printing of the operating point data to the file.
 - **Include Waveform Values:** This controls the printing of all waveform values to the file. The numeric output icon , adjacent to each waveform expression in the analysis limits, must also be enabled for printing to occur.
 - **Include Waveform Headers:** This prints identifying expression text above each numeric column.

- **Begin Printing At:** This specifies the time value at which printing of the waveform values begin.
- **End Printing At:** This specifies the last time value at which waveform printing occurs.
- **Table Formats:** This controls how the numeric output curve / waveform tables will be arranged. *Horizontal* is the conventional format, with column vectors shown horizontally. *Vertical* prints the time column, followed sequentially by single column vectors, one for each output. *Vertical X,Y Alternate* is the same but with an extra analysis variable column inserted between each output vector. Finally *Vertical X,Y Pairs* produces column pairs consisting of the analysis variable and one output. The pairs are arranged vertically.

Output is saved in the file CIRCUITNAME.TNO and printed to the Numeric Output window, which is accessible after the run by clicking on the  button or by selecting the Numeric Output Window tab.



```

Micro-Cap 9.0.0.0 - [C:\mc9\ldata\MIXED4.TNO]
File Edit Component Windows Options Transient Scope Monte Carlo Help
*****
***      Micro-Cap 9.0.0.0      ***
***                               ***
***      Transient Analysis of MIXED4      ***
***                               ***
*****
*****
Time Range      600n
Maximum Time Step  0
Number of Points  100
Temperature      Linear 27
Run Options      Normal
Scale Variables  Zero
Operating Point  On
Operating Point Only Off
*****
***      Temperature=27      ***
***                               ***
Temperature=27
*****
Model parameters for devices of type Diode
*****
Using model:      D      D74CLM2
Instance:      D1      X16.D1      X16.D2      X16.D3
Using model:      D      D74CLM2      D74      D74
*****
AF      1.000 (*)      1.000 (*)      1.000 (*)      1.000 (*)
BV      0.000 (*)      0.000 (*)      0.000 (*)      0.000 (*)
CJO      900.000n      5.000p      5.000p      5.000p
EG      1.110 (*)      1.110 (*)      1.110 (*)      1.110 (*)
FC      500.000n(*)      500.000n(*)      500.000n(*)      500.000n(*)
IBV      100.000p(*)      100.000p(*)      100.000p(*)      100.000p(*)
IBVL      0.000 (*)      0.000 (*)      0.000 (*)      0.000 (*)
IKF      0.000 (*)      0.000 (*)      0.000 (*)      0.000 (*)

```

Figure 6-3 Numeric output

Operating Point Methods

The operating point calculation methods and the order in which they are tried is user controllable from the Operating Point Methods dialog box, available from many analysis menus. It looks like this:

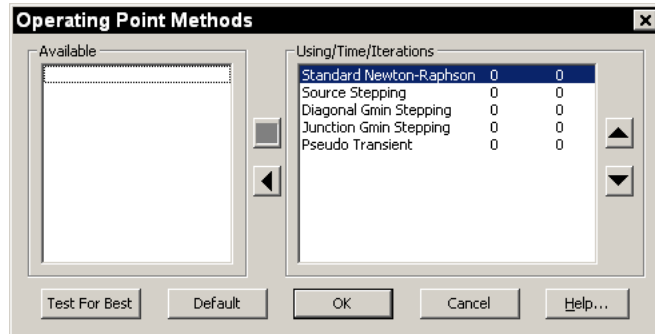


Figure 6-4 Operating Point Methods

There are five basic methods:

- **Standard Newton-Raphson:** This is the simplest, and still the most often successful method for solving for the operating point.
- **Source Stepping:** This is the first of the continuation methods that all attempt to set a control parameter to a value to solve an easier problem, and then gradually move the targeted parameter towards its final 100% value. In this case the parameter is a scale factor which multiplies all DC voltage sources. It starts with a small value and, when convergence is achieved, increases the factor until, convergence is achieved with the factor at 100%.
- **Diagonal Gmin Stepping:** This method adds a small conductance to the diagonal of the solution matrix and when convergence is achieved decreases it until convergence is achieved with the conductance set to zero.
- **Junction Gmin Stepping:** Gmin is a conductance which is normally added across the junctions of many devices. This method sets Gmin to a large value. If convergence is achieved, it decreases the Gmin value until convergence is achieved with Gmin set to the Global Settings value.

- **Pseudo Transient:** In this method, time-varying sources are set to their $T=0$ value, and a fixed capacitor is added from each node to ground. A transient analysis is then run until the circuit stabilizes. The stable set of voltages then becomes the operating point. This method works slowly but very well for most circuits. It does not usually work on unstable or oscillatory circuits.

The dialog box lets you select which methods will be used and the order in which they are used. The top method is used first, and so on to the end of the list. The dialog box also provides a means to test for the best methods and adjusts the order accordingly. It provides these options:

Up Triangle: This moves the selected method up in the list.

Down Triangle: This moves the selected method down in the list.

Left Triangle: This moves the selected method from the Using list and parks it in the Available list, deactivating it.

Right Triangle: This moves the selected method from the Available list to the Using list, activating it.

Test for Best: This tests all five methods and arranges their execution order from fastest to slowest. If a method fails to converge, it is so indicated and placed at the end of the list.

Default: This resets the method order to the default settings. These are the settings that produce the shortest overall time on a large number of test circuits.

OK: This accepts any changes you have made and exits the dialog box.

Cancel: This ignores any changes you've made and exits the dialog box.

Help: This accesses the Help information for the dialog box.

What's in this chapter

This chapter describes the AC analysis routines. AC analysis is a linear, small signal analysis. Before the main AC analysis is run, linearized small signal models are created for nonlinear components based upon the operating point bias.

Features new in Micro-Cap 9

- The Waveform Buffer saves waveforms for later recall.
- New Operating point calculation routines are available for difficult circuits. Users can now select the operating point methods to be used and the order.
- Dynamic Analysis automatically reruns the analysis and redraws the plot as the circuit is edited. Slider bars can be assigned to any parameter that can be stepped to provide easy slide-bar editing.
- Analysis Window tabs provide easy selection of Monte Carlo windows, 3D plots, performance plots, numeric output, and analysis plots.
- Accumulate plots option accumulates waveforms or curves that result from editing the circuit.
- Clear Accumulated Plots command clears accumulated plots.
- Plot Pages allow plot grouping and selection.

What happens in AC analysis

AC analysis is a type of small-signal or linear analysis. This means that all circuit variables are assumed to be linearly related. Double one voltage, and you double any related quantities. When you plot or print $V(1)$ you are seeing the small-signal linear voltage between node 1 and the AC ground node.

Using a small-signal model of each device in the circuit, MC9 constructs a set of linear network equations and solves for every voltage and current in the circuit over the specified frequency range. The program obtains the small-signal models by linearizing the devices about the state variable values. These are usually the result of an operating point calculation, but may also result from a read, from edits in the State Variables editor, or may simply be left over from the last run, depending upon the selected State Variables option.

Linearizing means replacing a device's nonlinear model with a simple constant that expresses a linear relationship between the terminal voltages and currents of the device. The linear model is assumed to hold for small signal changes about the point at which the linearization takes place, which is usually the DC operating point. Digital parts are treated as open circuits during the linearization process. For linear resistors, capacitors, and inductors, the linearized AC value is the same as the constant time-domain value. For nonlinear passive components whose value changes with bias, the linearized AC value is the time-domain resistance, capacitance, or inductance computed at the operating point. This means that in a resistor with a value expression like $1+2*V(10)$, the $V(10)$ refers to the time-domain $V(10)$, not the AC small signal $V(10)$. If the operating point calculation produces a DC value of 2.0 volts for $V(10)$, then the value of this resistor during AC analysis will be $1+2*2 = 5$ Ohms. Normally, during the small-signal AC analysis, the resistance, capacitance, or inductance does not change. If, however, the component's **FREQ** attribute is specified, then the value of the **FREQ** expression is the AC resistance, capacitance, or inductance, and is allowed to be a function of frequency. See Chapter 22 for the specifics on the use of the **FREQ** attribute with resistors, capacitors, inductors, and **NFV** and **NFI** function sources.

For nonlinear components like diodes, JFETs, MOSFETs, and bipolar transistors, the conductances, capacitances, and controlled sources that comprise the AC model are obtained by partial derivatives evaluated at the operating point value. These values are also constant during AC small-signal analysis.

The only devices whose transfer function or impedance can change during AC small-signal analysis are the **Z** transform, Laplace function and table sources, and

when their `FREQ` attribute is specified, resistors, capacitors, inductors, and `NFV` and `NFI` function sources. `Z` transform and Laplace sources use the complex frequency variable $S (j*2*PI*frequency)$ in their transfer function, so their transfer function must change with frequency during the run.

For curve sources, the small signal model is simply an AC voltage or current source. The AC value of the source is determined from the parameter line for SPICE components and from the attribute value for schematic components.

SPICE Voltage Source or Current Source:

The AC magnitude value is specified as a part of the device parameter. For example, a source with the value attribute "DC 5.5 AC 2.0" has an AC magnitude of 2.0 volts.

Pulse Source and Sine Source:

These sources have their AC magnitude fixed at 1.0 volt.

User Source: These sources provide a signal comprised of the real and imaginary parts specified in their files.

Function Source: These sources create an AC signal only if a `FREQ` expression is specified.

Because AC analysis is linear, it doesn't matter whether the AC amplitude of a single input source is 1 volt or 500 volts. If you are interested in relative gain from one part of the circuit to another, then plot $V(OUT)/V(IN)$. This ratio will be the same regardless of the value of $V(IN)$. If $V(IN)$ is 1, then it is not necessary to plot ratios, since $V(OUT)/V(IN) = V(OUT)/1 = V(OUT)$. If there is more than one input source with a nonzero AC value, then you can't meaningfully look at gains from one of the source nodes to another node.

The basic sequence for AC analysis is this:

1. Optionally calculate the DC operating point.
2. Compose the linear equivalent AC model for every device.
3. Construct a set of linearized circuit equations.
4. Set frequency to f_{min} .
5. Solve for all voltages and currents in the linearized model.
6. Plot or print requested variables.
7. Increment frequency.
8. If frequency exceeds f_{max} , quit, else go to step 5.

The AC Analysis Limits dialog box

The Analysis Limits dialog box is divided into five principal areas: the Command buttons, Numeric limits, Curve options, Expressions, and Options.

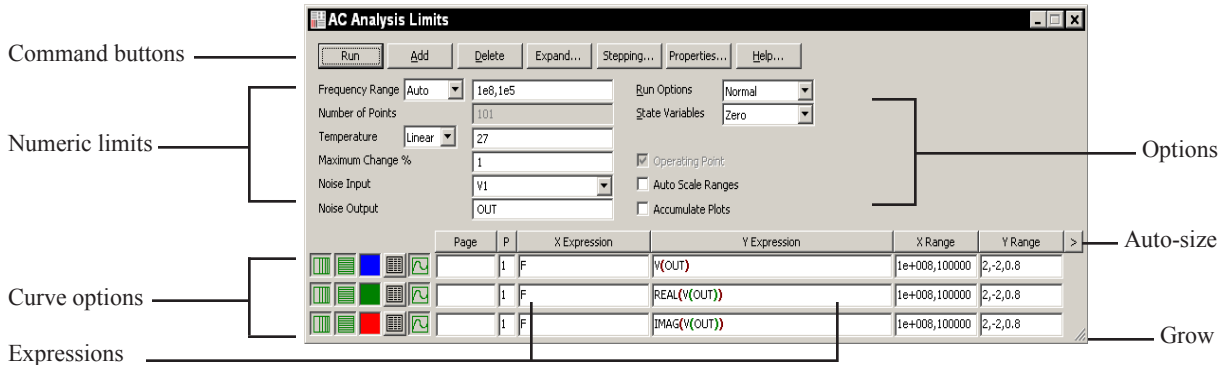



Figure 7-1 The Analysis Limits dialog box

The command buttons are located just above the Numeric limits.

Run: This command starts the analysis run. Clicking the Tool bar Run  button or pressing F2 will also start the run.

Add: This command adds another Curve options field and Expression field line after the line containing the cursor. The scroll bar to the right of the Expression field scrolls the curve rows when needed.

Delete: This command deletes the Curve option field and Expression field line where the text cursor is.

Expand: This command expands the working area for the text field where the text cursor currently is. A dialog box is provided for editing or viewing. To use the feature, click in an expression field, then click the Expand button.

Stepping: This command calls up the Stepping dialog box. Stepping is reviewed in a separate chapter.

Properties: This command invokes the Properties dialog box which lets you control the analysis plot window and the way curves are displayed.

Help: This command calls up the Help system which provides information by index and topic.

The definition of each item in the Numeric limits field is as follows:

• **Frequency Range:**

The contents of this field depend upon the type of frequency stepping selected from the adjacent list box. There are four stepping choices:

- **Auto:** This method uses the first plot of the first group as a pilot plot. If, from one frequency point to another, the plot has a vertical change of greater than *Maximum change %* of full scale, the frequency step is reduced, otherwise it is increased. *Maximum change %* is the value from the fourth numeric field of the AC Analysis Limits dialog box. Auto is the standard.
- **Linear:** This method produces a frequency step such that, with a linear horizontal scale, the data points are equidistant horizontally. The Number of Points field sets the total number of data points employed.
- **Log:** This method produces a frequency step such that with a log horizontal scale, the data points are equidistant horizontally. The Number of Points field sets the total number of data points employed.
- **List:** This method uses a comma-delimited list of frequency points from the Frequency Range, as in 1E8, 1E7, 5E6.

The Frequency Range field specifies the frequency range for the analysis.

For the List Option:

The syntax is *<Frequency1>* [, *<Frequency2>*] ... [, *<FrequencyN>*].

For Auto, Linear, and Log Options:

The syntax is *<Highest Frequency>* [, *<Lowest Frequency>*]. If *<Lowest Frequency>* is unspecified, the program calculates a single data point at *<Highest Frequency>*.

- **Number of Points:** This determines the number of data points printed in the Numeric Output window. It also determines the number of data points actually calculated if Linear or Log stepping is used. If the Auto Step method is selected, the number of points actually calculated is controlled by the *<Maximum change %>* value. If Auto is selected, interpolation is used to

produce the specified number of points. The default value is 51. This number is usually set to an odd value to produce an even print interval.

For the Linear method, the frequency step and the print interval are:

$$(\langle \text{Highest Frequency} \rangle - \langle \text{Lowest Frequency} \rangle) / (\langle \text{Number of points} \rangle - 1)$$

For the Log method, the frequency step is:

$$(\langle \text{Highest Frequency} \rangle / \langle \text{Lowest Frequency} \rangle)^{1/(\langle \text{Number of points} \rangle - 1)}$$

• **Temperature:** This field specifies the global temperature(s) of the run(s) in degrees Celsius. This temperature is used for each device unless individual device temperatures are specified. If the Temperature list box shows Linear or Log the format is:

$$\langle \text{high} \rangle [, \langle \text{low} \rangle [, \langle \text{step} \rangle]]$$

The default value of $\langle \text{low} \rangle$ is $\langle \text{high} \rangle$, and the default value of $\langle \text{step} \rangle$ is $\langle \text{high} \rangle - \langle \text{low} \rangle$ (linear mode) or high/low (log mode). Temperature values start at $\langle \text{low} \rangle$ and are either incremented (linear mode) or multiplied (log mode) by $\langle \text{step} \rangle$ until $\langle \text{high} \rangle$ is reached.

If the Temperature list box shows List the format is:

$$\langle t1 \rangle [, \langle t2 \rangle [, \langle t3 \rangle] [, \dots]]$$

where $t1, t2, \dots$ are individual values of temperature.

One analysis is done at each specified temperature, producing one curve branch for each run.



• **Maximum Change %:** This value controls the frequency step used when Auto is selected for the Frequency Step method.



• **Noise Input:** This is the name of the input source to be used for noise calculations. If the INOISE and ONOISE variables are not used in the expression fields, this field is ignored.

• **Noise Output:** This field holds the name(s) or number(s) of the output node(s) to be used for noise calculations. If the INOISE and ONOISE variables are not used in the expression fields, this field is ignored.


The Curve options are located below the Numeric limits and to the left of the Expressions. Each curve option affects only the curve in its row. The options function as follows:

Log/linear


The first option toggles the X-axis between a linear  and a log  plot. Log plots require positive scale ranges.

The second option toggles the Y-axis between a linear  and a log  plot. Log plots require positive scale ranges.

Color

The  option activates the color menu. There are 64 color choices for an individual curve. The button color is the curve color.

Numeric output

The  option prints a table showing the numeric value of the curve. The table is printed to the Output window and saved in the file CIRCUITNAME.ANO.

Plot Type

The  option selects the basic plot type. In AC analysis there are three types available,  rectangular,  polar, and  Smith chart.

Plot page

This field lets you organize curves into groups which can be selected for viewing from the tabs at the bottom of the plot window.

Plot group

A single digit number from 1 to 9 in the P column sorts the curves into different plot groups. All curves with like numbers are placed in the same plot group. If the P column is blank, the curve is not plotted.

The Expressions field specifies the horizontal (X) and vertical (Y) scale ranges and expressions. The expressions are treated as complex quantities. Some common expressions are F (frequency), db(v(1)) (voltage in decibels at node 1), and re(v(1)) (real voltage at node 1). *Note that while the expressions are evaluated as complex quantities, only the magnitude of the Y expression vs. the magnitude of the X expression is plotted.* If you plot the expression V(3)/V(2), MC9 evaluates the expression as a complex quantity, then plots the magnitude of the final result. It is not possible to plot a complex quantity directly versus frequency. You can

plot the imaginary part of an expression versus its real part (Nyquist plot), or you can plot the magnitude, real, or imaginary parts versus frequency (Bode plot).

The scale ranges specify the scales to use when plotting the X and Y expressions. The range format is:

<high> [,*<low>*] [,*<grid spacing>*] [,*<bold grid spacing>*]

<low> defaults to zero. [,*<grid spacing>*] sets the spacing between grids. [,*<bold grid spacing>*] sets the spacing between bold grids. Placing "AUTO" in the X or Y scale range calculates its range automatically. The Auto Scale Ranges option calculates scales for all ranges during the simulation run and updates the X and Y Range fields. The Auto Scale (F6) command immediately scales all curves, without changing the range values, letting you restore them with CTRL + HOME if desired. Note that *<grid spacing>* and *<bold grid spacing>* are used only on linear scales. Logarithmic scales use a natural grid spacing of 1/10 the major grid values and bold is not used. Auto Scale uses the number of grids specified in the **Properties dialog box (F10) / Scales and Formats / Auto/Static Grids** field.

Clicking the *right* mouse button in the Y expression field invokes the Variables list. It lets you select variables, constants, functions, and operators, or expand the field to allow editing long expressions. Clicking the *right* mouse button in the other fields invokes a simpler menu showing suitable choices.

The Options group includes:

- **Run Options**


- **Normal:** This runs the simulation without saving it to disk.

- **Save:** This runs the simulation and saves it to disk.

- **Retrieve:** This loads a previously saved simulation and plots and prints it as if it were a new run.

- **State Variables:** These options determine what happens to the time domain state variables (DC voltages, currents, and digital states) prior to the optional operating point.

- **Zero:** This sets the state variable initial values (node voltages, inductor currents, digital states) to zero or X.

- **Read:** This reads a previously saved set of state variables and uses them as the initial values for the run.
- **Leave:** This leaves the current values of state variables alone. They retain their last values. If this is the first run, they are zero. If you have just run an analysis without returning to the Schematic editor, they are the values from that run.
- **Operating Point:** This calculates a DC operating point, changing the time domain state variables as a result. If an operating point is not done, the time domain variables are those resulting from the initialization step (zero, leave, or read). The linearization is done using the state variables after this optional operating point. In a nonlinear circuit where no operating point is done, the validity of the small-signal analysis depends upon the accuracy of the state variables read from disk, edited manually, or enforced by device initial values or .IC statements.
- **Auto Scale Ranges:** This sets all ranges to Auto for each run. If disabled, the existing values from the range fields are used to produce the plots.
- **Accumulate Plots:** This accumulates waveforms or curves that result from editing the circuit. The Clear Accumulated Plots command  clears accumulated plots.

Resizing

The Analysis Limits dialog box can be resized in a variety of ways:

- **Field size adjustment:** Adjust the field sizes by dragging the lines that separate the column titles (e.g. X Expression, Y Expression, etc.).
- **Auto-size:** Click the auto-size button to the right of the Y Range field to automatically adjust the field sizes to match existing expression lengths.
- **Grow:** Drag the Grow icon in the lower right corner of the dialog box to change the shape / size of the dialog box.

P Key

As in the other analyses, the value of the expressions for each curve can be seen during the run by pressing the 'P' key. This key toggles the printing of the numeric values on the analysis plot adjacent to the expressions. This is a convenient way to check the course of a new, lengthy simulation.

The AC menu



Run: (F2) This starts the analysis run.



Limits: (F9) This accesses the Analysis Limits dialog box.



Stepping: (F11) This accesses the Stepping dialog box.



Optimize: (CTRL + F11) This accesses the Optimize dialog box.



Analysis Window: (F4) This command displays the analysis plot.

Watch: (CTRL + W) This displays the Watch window where you define expressions or variables to watch during a breakpoint invocation.

Breakpoints: (ALT + F9) This accesses the Breakpoints dialog box. Breakpoints are Boolean expressions that define when the program will enter single-step mode so that you can watch specific variables or expressions. Typical breakpoints are $F \geq 10\text{Meg}$ AND $F \leq 110\text{Meg}$, or $V(\text{OUT}) > 2$.

Operating Point Methods (CTRL + SHIFT + O): This lets you select the operating point method to be used and the order in which each is tried.

3D Windows: This lets you add or delete a 3D plot window. It is enabled only if more than one run is done.

Performance Windows: This lets you add or delete a performance plot window. It is enabled only if there is more than one run.

Slider: This lets you add or delete a slider bar to control a circuit parameter.



Numeric Output: (F5) This shows the Numeric Output window.





State Variables editor: (F12) This accesses the State Variables editor.

Reduce Data Points: This item invokes the Data Point Reduction dialog box. It lets you delete every n'th data point. This is useful when you use very small time steps to obtain very high accuracy, but do not need all of the data points produced. Once deleted, the data points cannot be recovered.


Exit Analysis: (F3) This exits the analysis.

Numeric output

Numeric output may be obtained for each curve by enabling the output button  in the curve row. Content is also controlled from the Numeric Output panel of the Properties dialog box (F10).

- **Curves:** This section allows selection of which curves to print and an alternative alias for the curve name.
- **Show:** This section allows selection of the other material to include in the numeric output file.
 - **Include Numeric Output:** This enables creation of the numeric output file. The other options control content of the file.
 - **Include Main Header:** This prints the main header.
 - **Include Analysis Limits:** This adds the analysis limits.
 - **Include Branch Headers:** This adds branch headers that identify the item(s) being stepped or the Monte Carlo case number.
 - **Include Model Parameters:** This prints model parameters.
 - **Include Zero Parameters:** This enables the printing of zero-valued parameters.
 - **Include Undefined Parameters:** This prints undefined model parameters using their default values.
 - **Include Operating Point Values:** This controls the printing of the operating point data to the file.
 - **Include Waveform Values:** This controls the printing of all curve values to the file. The numeric output icon , adjacent to each expression in the analysis limits, must also be enabled for printing to occur.
 - **Include Waveform Headers:** This prints identifying expression text above each numeric column.

- **Start Printing At:** This specifies the frequency value at which printing of the waveform values begin.
- **End Printing At:** This specifies the last frequency value at which waveform printing occurs.
- **Table Formats:** This controls how the numeric output curve / waveform tables will be arranged. *Horizontal* is the conventional format, with column vectors shown horizontally. *Vertical* prints the time column, followed sequentially by single column vectors, one for each output. *Vertical X,Y Alternate* is the same but with an extra analysis variable column inserted between each output vector. Finally *Vertical X,Y Pairs* produces column pairs consisting of the analysis variable and one output. The pairs are arranged vertically.

Output is saved in the file CIRCUITNAME.ANO and printed to the Numeric Output window, which is accessible after the run by clicking on the  button or by selecting the Numeric Output Window tab.

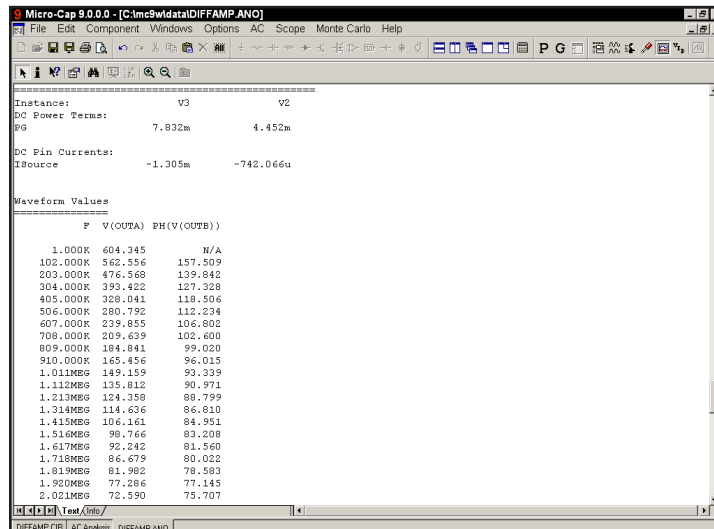


Figure 7-2 Numeric output

Noise

MC9 models three types of noise:

- Thermal noise
- Shot noise
- Flicker noise

Thermal noise, produced by the random thermal motion of electrons, is always associated with resistance. Discrete resistors and the parasitic resistance of active devices contribute thermal noise.

Shot noise is caused by a random variation in current, usually due to recombination and injection. Normally, shot noise is associated with the dependent current sources used in the active device models. All semiconductor devices generate shot noise.

Flicker noise originates from a variety of sources. In BJTs, the source is normally contamination traps and other crystal defects that randomly release their captured carriers.

Noise analysis measures the contribution from all of these noise sources as seen at the input and output. Output noise is calculated across the output node(s) specified in the Noise Output field. To plot or print it, specify 'ONoise' as the Y expression. Similarly, input noise is calculated across the same output nodes, but is divided by the gain from the input node to the output node. To plot or print input noise, specify "INoise" as the Y expression.

Because the network equations are structured differently for noise, it is not possible to simultaneously plot noise variables and other types of variables such as voltage and current. If you attempt to plot both noise and other variables, the program will issue an error message.

Because noise is an essentially random process, there is no phase information. Noise is defined as an RMS quantity so the phase (PH) and group delay (GD) operators should not be used.

Noise is measured in units of Volts / Hz^{1/2}.

AC analysis tips

Here are some useful things to remember for AC analysis:

The magnitude of the expression is plotted:

If you ask for a plot of $V(\text{OUT})$, you might wonder what gets plotted if $V(\text{OUT})$ has both an imaginary and a real part. If no operator is used, MC9 plots the magnitude, which is defined as follows:

Condition	What is Printed or Plotted
1) $\text{IM}(V(\text{OUT}))$ is zero	$\text{RE}(V(\text{OUT}))$
2) $\text{IM}(V(\text{OUT}))$ is not zero	$\text{MAG}(V(\text{OUT}))$

If the expression is real (i.e. its imaginary part is zero) you get the real part. If the expression is complex (i.e. its imaginary part is nonzero) you get the magnitude of the real part and imaginary parts.

Condition 1 lets you see polarities as the real part can be negative. Condition 2 necessarily masks negative real parts as it requires squaring the real part.

Plotting complex power:

Power expressions in AC plot complex AC power. For example

AC power dissipated in R1	$\text{PD}(\text{R1})$
AC power stored in C1	$\text{PS}(\text{C1})$
AC power stored in diode D1	$\text{PS}(\text{D1})$
AC power dissipated in diode D1	$\text{PD}(\text{D1})$
AC power generated in source V1	$\text{PG}(\text{V1})$
Total power generated	PGT
Total power stored	PST
Total power dissipated	PDT

You can also plot complex power by using fundamental expressions. To plot the power stored in a capacitor C1, plot $V(\text{C1}) * I(\text{C1})$. To plot power stored in an inductor L1, use $V(\text{L1}) * I(\text{L1})$. For a port whose input nodes are A and B, plot $(V(\text{A,B})) * I(\text{V1})$, where V1 is a zero-valued independent voltage source in series with one of the port leads. This would plot the total power flow into the port.

Unexpected output when bypassing the operating point:

If your circuit is producing strange results and you are not doing an operating point, make sure that the initial conditions you've supplied are correct. You must supply all node voltages, inductor currents, and digital states if you skip the operating point in order to get meaningful results.

Zero output:

If your circuit is producing zero voltages and currents it is probably because the sources are absent or have zero AC magnitudes. Only the PULSE and SIN sources have a nonzero 1.0 default AC magnitude. The User source supplies what its file specifies. Function sources generate an AC excitation equal to the value of their FREQ expression, if any. The other sources either have no AC magnitude at all or else have a 0.0 volt default AC magnitude.

Simultaneous Auto Frequency step and Auto Scale:

If you select both Auto frequency stepping and Auto Scale, the first plot will probably be coarse. Auto frequency stepping uses the plot scale employed during the run to make dynamic decisions about a suitable frequency step. If Auto Scale is in effect, the plot scale employed during the run is preset to a very coarse scale. The frequency steps are not referenced to the actual range of the curve, since it is only known after the run. The solution is to make two runs, and turn off the Auto Scale option after the first run. The second run will have the benefit of knowing the true range of the curve and will produce a smoother plot.

Flat curves:

If your circuit is a very narrow band reject filter and your gain plot is flat, it is probably because the frequency step control is not sampling in the notch. This can happen when the sweep starts at a frequency far to the left of the notch. Since the plot is very flat, the frequency step is quickly increased to the maximum. By the time the frequency nears the notch, the step exceeds the notch width and the sweep jumps over the notch. This is like a car moving so fast that it doesn't notice a narrow pothole that would have been apparent at a lower speed. The solution is to set the *fmin* much nearer the expected notch, or use one of the fixed frequency step methods. If you use a fixed step, make sure the frequency step is smaller than the notch. This can be accomplished by increasing the Number of Points value or decreasing the frequency range and centering it near the expected notch frequency.

What's in this chapter

This chapter describes the features of DC analysis. DC is an acronym for direct current, one of two competing power transmission strategies early in the development of electrical engineering technology. For our purposes, DC means simply that the sources are constant and do not vary with time.

During a DC analysis, capacitors are open-circuited, inductors are short-circuited, and sources are set to their time-zero values. DC analysis sweeps one or two input independent variables (such as current or voltage source values) over a specified range. At each voltage or current step, MC9 performs an operating point calculation.

Transfer characteristics are a typical application for DC analysis.

Features new in Micro-Cap 9

- The Waveform Buffer saves waveforms for later recall.
- Dynamic Analysis automatically reruns the analysis and redraws the plot as the circuit is edited. Slider bars can be assigned to any parameter that can be stepped to provide easy slide-bar editing.
- Analysis Window tabs provide easy selection of Monte Carlo windows, 3D plots, performance plots, numeric output, and analysis plots.
- Accumulate plots option accumulates waveforms or curves that result from editing the circuit.
- Clear Accumulated Plots command clears accumulated plots.
- Plot Pages allow plot grouping and selection.

The DC Analysis Limits dialog box

The Analysis Limits dialog box is divided into five major areas: the Command buttons, Numeric limits, Curve options, Expression fields, and Options.

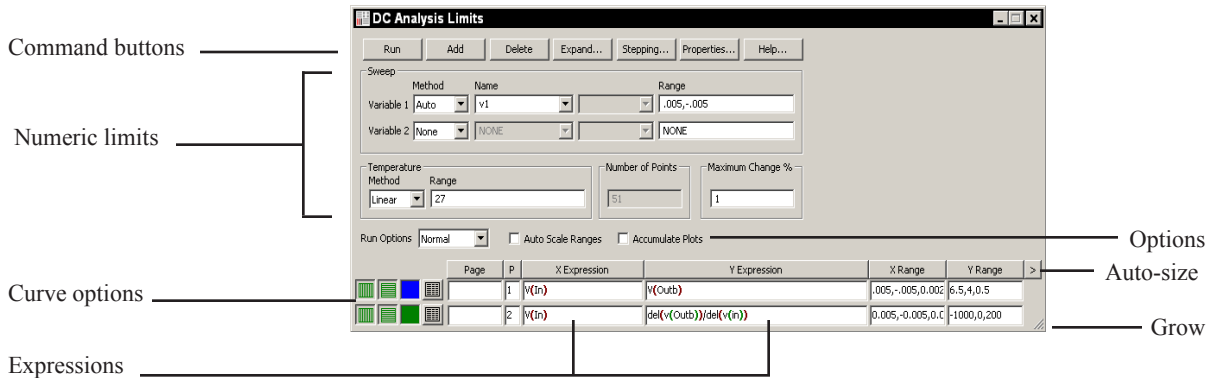



Figure 8-1 The Analysis Limits dialog box

Command buttons provide these commands.

Run: This command starts the analysis run. Clicking the Tool bar Run  button or pressing F2 will also start the run.

Add: This command adds another Curve options field and Expressions field line after the line containing the cursor. The scroll bar to the right of the Expressions field scrolls through the curves when needed.

Delete: This command deletes the Curve option field and Expressions field line where the text cursor is.

Expand: This command expands the working area for the text field where the text cursor currently is. A dialog box is provided for editing or viewing. To use the feature, click in an expression field, then click the Expand button.

Stepping: This command calls up the Stepping dialog box. Stepping is reviewed in a separate chapter.

Properties: This command invokes the Properties dialog box which lets you control the analysis plot window and the way curves are displayed.

Help: This command calls up the Help system.

The definition of each field in the Numeric limits are as follows:

- **Variable 1:** This row specifies the Method, Name, and Range fields for variable 1. Its value is usually plotted along the X axis. Each value produces a minimum of one data point per curve. There are four column fields for this variable.

- **Method:** This field specifies one of four methods for stepping the variable: Auto, Linear, Log, or List.

- **Auto:** In Auto mode the rate of step size is adjusted to keep the point-to-point change less than Maximum Change % value.

- **Linear:** This mode uses the following syntax from the Range column for this row:

<end> [, <start> [, <step>]]

Start defaults to 0.0. *Step* defaults to $(start - end)/50$. Variable 1 starts at *start*. Subsequent values are computed by adding *step* until *end* is reached.

- **Log:** Log mode uses the following syntax from the Range column for this row:

<end> [, <start> [, <step>]]

Start defaults to $end/10$. *Step* defaults to $exp(\ln(end/start)/10)$. Variable 1 starts at *start*. Subsequent values are computed by multiplying by *step* until *end* is reached.

- **List:** List mode uses the following syntax from the Range column for this row:

<v1> [, <v2> [, <v3>] ... [, <vn>]]

The variable is simply set to each of the values *v1*, *v2*, .. *vn*.

- **Name:** This field specifies the name of variable 1. The variable itself may be a source value, temperature, a model parameter, or a symbolic parameter (one created with a .DEFINE statement). Model parameter stepping requires both a model name and a model parameter name.
- **Range:** This field specifies the numeric range for the variable. The range syntax depends upon the Method field described above.
- **Variable 2:** This row specifies the Method, Name, and Range fields for variable 2. The syntax is the same as for variable 1, except that the stepping options include None and exclude Auto. *Step* defaults to $(end - start)/10$. Each value of variable 2 produces a separate branch of the curve.
- **Temperature:** This controls the temperature of the run. The fields are:

- **Method:** This list box specifies one of methods for stepping the temperature: If the list box shows Linear or Log the format is:

$\langle high \rangle [, \langle low \rangle [, \langle step \rangle]]$

The default value of $\langle low \rangle$ is $\langle high \rangle$, and the default value of $\langle step \rangle$ is $\langle high \rangle - \langle low \rangle$ (linear mode) or $high/low$ (log mode). Temperature values start at $\langle low \rangle$ and are either incremented (linear mode) or multiplied (log mode) by $\langle step \rangle$ until $\langle high \rangle$ is reached.

If the list box shows List the format is:

$\langle t1 \rangle [, \langle t2 \rangle [, \langle t3 \rangle] [, \dots]]$

where $t1, t2, \dots$ are individual values of temperature.

One analysis is done at each specified temperature, producing one curve branch for each run. *When temperature is selected as one of the stepped variables (variable1 or variable 2) this field is not available.*

- **Range:** This field specifies the range for the temperature variable. The range syntax depends upon the Method field described above.
- **Number of Points:** This is the number of data points to be interpolated and printed if numeric output is requested. This number defaults to 51 and is of

ten set to an odd value to produce an even print interval. Its value is:



$$(\langle final I \rangle - \langle initial I \rangle) / (\langle Number of points \rangle - 1)$$

$\langle Number of points \rangle$ values are printed for each value of the Variable 2 source.

- **Maximum Change %:** This value is only used if Auto is selected as the step method for Variable 1.


The Curve options are located below the Numeric limits and to the left of the Expressions. Curve options affect the curve in the same row. The definition of each option is as follows:

Log/linear


The first option toggles the X-axis between a linear  and a log  plot. Log plots require positive scale ranges.

The second option toggles the Y-axis between a linear  and a log  plot. Log plots require positive scale ranges.

Color

The  option activates the color menu. There are 64 color choices for an individual curve. The button color is the curve color.

Numeric output

The  option prints a table showing the numeric value of the curve. The number of values printed is set by the Number of Points value. The table is printed to the Output window and saved in the file CIRCUITNAME.DNO.

Plot page

This field lets you organize curves into groups which can be selected for viewing from the tabs at the bottom of the plot window.

Plot group

A single digit number from 1 to 9 in the P column sorts the curves into different plot groups. All curves with like numbers are placed in the same plot group. If the P column is blank, the curve is not plotted.

The Expressions field is used to specify the horizontal (X) and vertical (Y) scale ranges and expressions. Some common expressions used are VCE(Q1) (collector to emitter voltage of transistor Q1) or IB(Q1) (base current of transistor Q1). The X Range and Y Range fields specify the scales to be used when plotting the X and Y expressions. The range format is:

<high> [,<low>] [,<grid spacing>] [,<bold grid spacing>]

<low> defaults to zero. [*<grid spacing>*] sets the spacing between grids. [*<bold grid spacing>*] sets the spacing between bold grids. Placing "AUTO" in the scale range calculates that individual range automatically. The Auto Scale Ranges option calculates scales for all ranges during the simulation run and updates the X and Y Range fields.

The Auto Scale (F6) command immediately scales all curves, without changing the range values, letting you restore them with CTRL + HOME if desired. Note that *<grid spacing>* and *<bold grid spacing>* are used only on linear scales. Logarithmic scales use a natural grid spacing of 1/10 the major grid values and bold is not used. Auto Scale uses the number of grids specified in the **Properties dialog box (F10) / Scales and Formats / Auto/Static Grids** field.


Clicking the *right* mouse button in the Y expression field invokes the Variables list which lets you select variables, constants, functions, and operators, or expand the field to allow editing long expressions. Clicking the *right* mouse button in the other fields invokes a simpler menu showing suitable choices.

The Options area is below the Numeric limits. The Auto Scale Ranges option has a check box.

The options available from here are:

- **Run Options**

- **Normal:** This runs the simulation without saving it to disk.
- **Save:** This runs the simulation and saves it to disk.
- **Retrieve:** This loads a previously saved simulation and plots and prints it as if it were a new run.

- **Auto Scale Ranges:** This sets the X and Y range to auto every time a simulation is run. If it is disabled, the values from the range fields will be used.
- **Accumulate Plots:** This accumulates waveforms or curves that result from editing the circuit. The Clear Accumulated Plots command  clears accumulated plots.

Resizing

The Analysis Limits dialog box can be resized in a variety of ways:

- **Field size adjustment:** Adjust the field sizes by dragging the lines that separate the column titles (e.g. X Expression, Y Expression, etc.).
- **Auto-size:** Click the auto-size button to the right of the Y Range field to automatically adjust the field sizes to match existing expression lengths.
- **Grow:** Drag the Grow icon in the lower right corner of the dialog box to change the shape / size of the dialog box.

P Key

As in the other analyses, the value of the expressions for each curve can be seen during the run by pressing the 'P' key. This key toggles the printing of the numeric values on the analysis plot adjacent to the expressions. This is a convenient way to check the course of a new, lengthy simulation.

The DC menu



Run: (F2) This starts the analysis run.



Limits: (F9) This accesses the Analysis Limits dialog box.



Stepping: (F11) This accesses the Stepping dialog box.



Optimize: (CTRL + F11) This accesses the Optimize dialog box.



Analysis Window: (F4) This command displays the analysis plot.

Watch: (CTRL + W) This displays the Watch window where you define expressions or variables to watch during a breakpoint invocation.

Breakpoints: (ALT + F9) This accesses the Breakpoints dialog box. Breakpoints are Boolean expressions that define when the program will enter single-step mode so that you can watch specific variables or expressions. Typical breakpoints are $V(A) \geq 1$ AND $V(A) \leq 1.5$ and $V(OUT) > 5.5$.

3D Windows: This lets you add or delete a 3D plot window. It is enabled only if more than one run is done.

Performance Windows: This lets you add or delete a performance plot window. It is enabled only if there is more than one run.

Slider: This lets you add or delete a slider bar to control a circuit parameter.



Numeric Output: (F5) This shows the Numeric Output window.





State Variables editor: (F12) This accesses the State Variables editor.

Reduce Data Points: This item invokes the Data Point Reduction dialog box. It lets you delete every n'th data point. This is useful when you use very small time steps to obtain very high accuracy, but do not need all of the data points produced. Once deleted, the data points cannot be recovered.

Exit Analysis: (F3) This exits the analysis.


Numeric output

Numeric output may be obtained for each curve by enabling the output button  in the curve row. Content is also controlled from the Numeric Output panel of the Properties dialog box (F10).

- **Curves:** This section allows selection of which curves to print and an alternative alias for the curve name.
- **Show:** This section allows selection of the other material to include in the numeric output file.
 - **Include Numeric Output:** This enables creation of the numeric output file. The other options control content of the file.
 - **Include Main Header:** This prints the main header.
 - **Include Analysis Limits:** This adds the analysis limits.
 - **Include Branch Headers:** This adds branch headers that identify the item(s) being stepped or the Monte Carlo case number.
 - **Include Model Parameters:** This prints model parameters.
 - **Include Zero Parameters:** This enables the printing of zero-valued parameters.
 - **Include Undefined Parameters:** This prints undefined model parameters using their default values.
 - **Include Waveform Values:** This controls the printing of all curve values to the file. The numeric output icon , adjacent to each expression in the analysis limits, must also be enabled for printing to occur.
 - **Include Waveform Headers:** This prints identifying expression text above each numeric column.
 - **Start Printing At:** This specifies the DCINPUT1 value at which printing of the waveform values begin.

- **End Printing At:** This specifies the last DCINPUT1 value at which waveform printing occurs.

- **Table Formats:** This controls how the numeric output curve / waveform tables will be arranged. *Horizontal* is the conventional format, with column vectors shown horizontally. *Vertical* prints the time column, followed sequentially by single column vectors, one for each output. *Vertical X,Y Alternate* is the same but with an extra analysis variable column inserted between each output vector. Finally *Vertical X,Y Pairs* produces column pairs consisting of the analysis variable and one output. The pairs are arranged vertically.

Output is saved in the file CIRCUITNAME.DNO and printed to the Numeric Output window, which is accessible after the run by clicking on the  button or by selecting the Numeric Output Window tab.

Troubleshooting tips

Here are some useful things to remember for DC analysis:

IV curves:

To generate IV curves for a device, place a voltage source across the output leads and sweep its voltage using the Variable 1 source. Place a voltage or current source at the base or gate and step its voltage or current with the Variable 2 source. Look at the IVBJT sample circuit for an example of how to do this.

No convergence during a sweep:

DC analysis is the most difficult of all the analysis modes, because it does not benefit from the converging effects of capacitors and inductors, as transient analysis does. If convergence fails, especially during a sweep, try changing the starting and/or step value to avoid the problem area.

What's in this chapter

This chapter describes the features of Dynamic AC analysis. This analysis mode displays AC voltage, current, power terms, directly in the schematic as frequency is stepped. It can also display AC values responding dynamically to schematic edits.

Features new in Micro-Cap 9

- Numeric output (F5) is now available
- New Operating point calculation routines are available for difficult circuits. Users can now select the operating point methods to be used and the order.
- Slider bars can be assigned to any parameter that can be stepped to provide easy slide-bar editing.

What happens in Dynamic AC analysis

In Dynamic AC, the program runs AC analysis for a list of frequency values and then displays AC voltages, currents, and power terms on the schematic.

When the Dynamic AC mode is invoked, the Analysis Limits dialog box is presented to let you set up or change the analysis conditions. It looks like this:

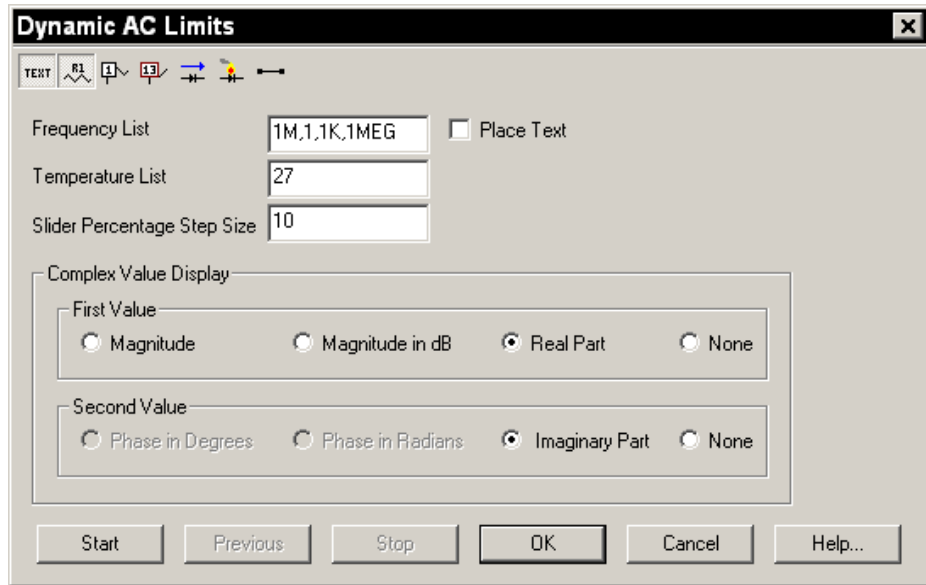
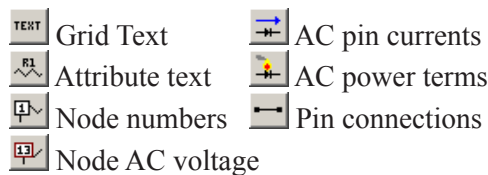


Figure 9-1 The Dynamic AC Analysis Limits display

Analysis Limits dialog box contains these items:

- **Display buttons:** There are several buttons for controlling the display: Each can be individually enabled, from within the dialog box or, after it is closed, from the tool bar.



- **Frequency List:** This is the list of the frequency values to simulate. Dynamic AC uses a fixed list of discrete frequencies, rather than a linear or log frequency range.
- **Temperature List:** This is the list of temperatures at which the analysis is to be run.
- **Slider Percentage Step Size:** This is the percent change that occurs for each key press that increases (Up Arrow) or decreases (Down Arrow) the value of a selected resistor.
- **Complex Value Display: First Value:** Complex AC values are generally shown with two numbers. This lets you select what to display in the first number position:
 - **Magnitude:** This shows the magnitude of the real and imaginary parts.
 - **Magnitude in dB:** This shows the magnitude of the real and imaginary parts in decibels.
 - **Real Part:** This shows the real part.
 - **None:** This shows nothing in the first position.
- **Complex Value Display: Second Value:** This lets you select what to display in the second number position:
 - **Phase in Degrees:** This shows the phase in degrees.
 - **Phase in Radians:** This shows the phase in radians.
 - **Imaginary Part:** This shows the imaginary part.
 - **None:** This shows nothing in the second position.
- **Place Text:** This check box enables the placement of grid text in the schematic showing the Dynamic AC parameters, including frequency, temperature, and the complex number format used.

The Analysis Limits dialog box also has these buttons:

- **Start:** This starts the analysis. Each press of the button produces one

analysis at one of the frequency values. When the end of the list is reached, it starts over at the first frequency in the list. After the first value the button name changes to Next.

- **Previous:** Each press of this button produces one analysis at the prior frequency value.
- **Stop:** Pressing this button stops the analysis at the last frequency, disables the Previous button and restores the name of the Next button to Start.
- **OK:** This exits the dialog box, but Dynamic AC mode is still in effect. Edits to the schematic now produce dynamic updates to the selected AC quantities at the last frequency.
- **Cancel:** This exits the dialog box, and ignores any changes to the dialog box contents. Dynamic AC mode is still in effect. Edits to the schematic now produce dynamic updates to the selected AC quantities at the last frequency.
- **Help:** This accesses help information for the dialog box.

In summary the operation is as follows:

While the Analysis Limits dialog box is displayed:

For each press of the Start/Next or Previous buttons, one frequency point is calculated and the selected AC results displayed on the schematic. Press the OK button to exit the dialog box.

When the Analysis Limits dialog box is not displayed:

The program responds dynamically to edits by running a new analysis and then updating the AC values on the schematic. Any change to the schematic, such as adding or deleting parts, as well as using the cursor keys to control the value of selected resistors, capacitors, inductors, and batteries, SPICE V and I sources, produce a new analysis at the last frequency.

Dynamic AC values (node voltages, currents, and power terms) have a background fill to readily distinguish them from Dynamic DC quantities which are shown without a background fill.

A sample of Dynamic AC analysis

To illustrate Dynamic AC analysis, load the circuit file DYAC1. Select **Dynamic AC** from the **Analysis** menu. Click on the OK button. The display should look like this:

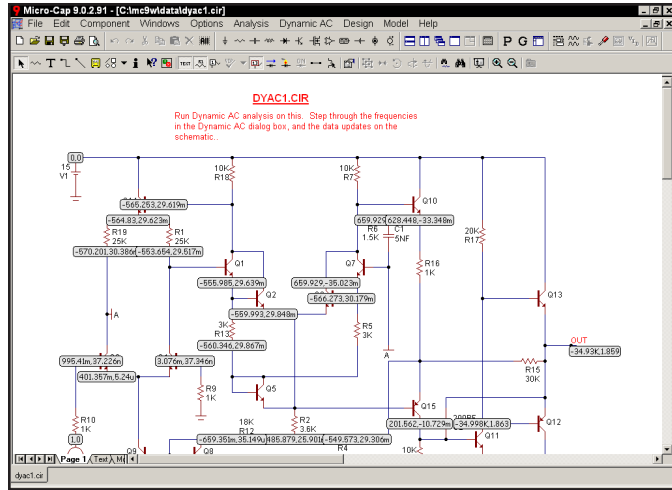


Figure 9-2 AC voltages in real, imag

MC9 finds the AC voltages at the first frequency (.001Hz) in the list and displays them in the default real, imaginary format. Press F9 and select Magnitude in the First Value group. Click on the OK button. The display now looks like this:

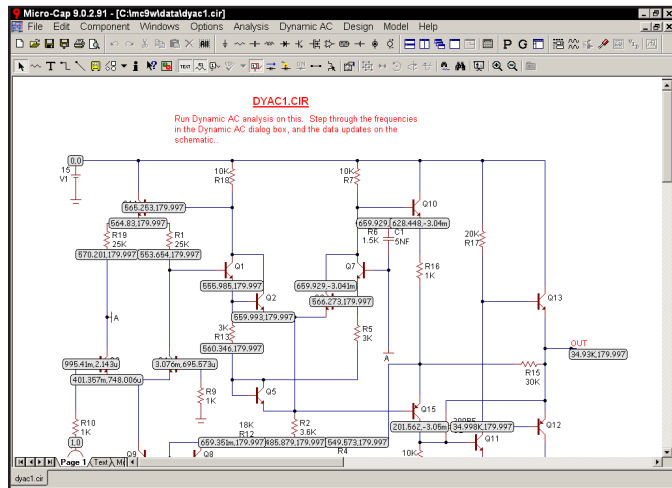


Figure 9-3 AC voltages in mag, phase (degrees)

Press F9 again and click the Start button. MC9 sets the frequency to the first item in the list (1MHz) and presents the AC voltages.

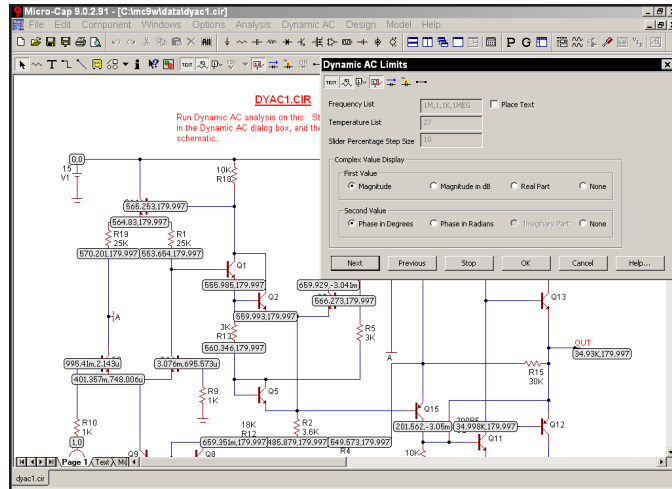



Figure 9-4 Cycling through the frequency list

After the first click, the Start button becomes the Next button and each click on it produces a new set of AC values at the next frequency in the list. You can use the Previous button to redo the analysis at the prior frequency value. After the last item in the list, the analysis starts over at the first value.

As in Dynamic DC, you can edit the schematic by removing or deleting parts, or by editing component parameter values and immediately see the effect on the AC voltages, currents, and power terms. Resistor, capacitor, and inductor values, and battery voltages are adjustable using the cursor keys and sliders.

To illustrate these capabilities, press CTRL + ALT + R to restore the DYAC1 circuit. Click in the Voltages button  to enable the display of AC voltages (if not already enabled). Select the battery V1. Press the down arrow cursor key once. The battery voltage will decline by 10% to 13.5v DC and the AC voltages will change because the transistor biases will have changed. The display should look like Figure 9-5.

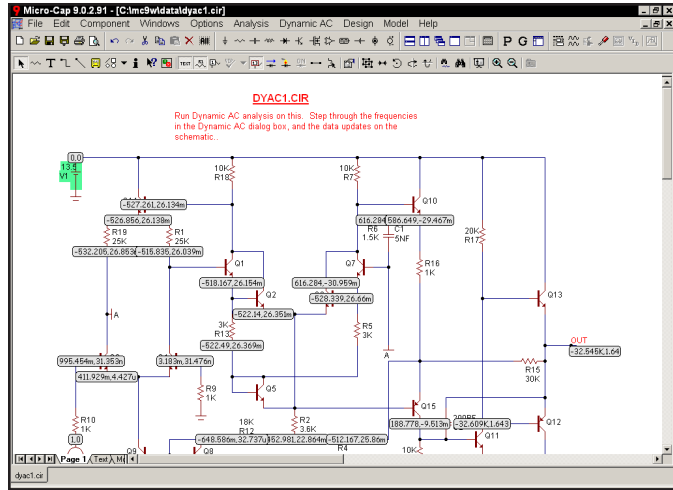




Figure 9-5 AC voltages at V1 = 13.5V DC

Now disable the  voltage button, and enable the  button. This produces a display like this:

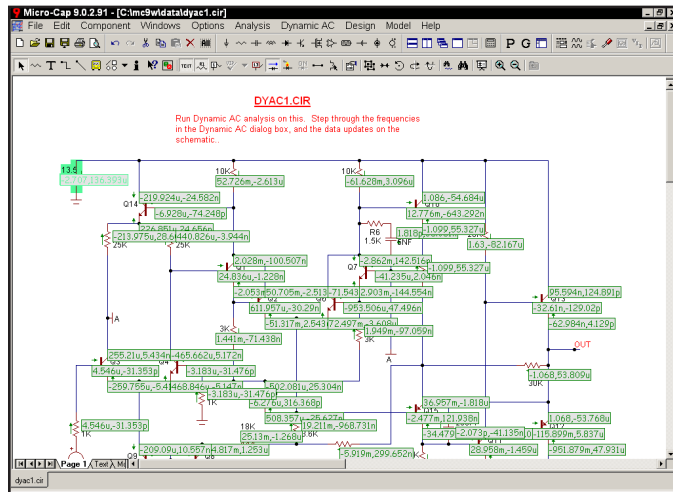


Figure 9-6 AC currents at V1 = 13.5V DC

The AC currents are displayed in the real, imaginary format. Exit Dynamic AC with SHIFT + F3 key.

Dynamic AC is similar to Dynamic DC, except that it shows AC quantities and works in the frequency domain.

What's in this chapter

This chapter describes the features of Dynamic DC analysis. This analysis mode is designed to dynamically display the DC voltage, current, power, and device conditions, as the circuit responds to user changes.

Features new in Micro-Cap 9

- Numeric output (F5) is now available
- New Operating point calculation routines are available for difficult circuits. Users can now select the operating point methods to be used and the order.
- Slider bars can be assigned to any parameter that can be stepped to provide easy slide-bar editing.

What happens in Dynamic DC analysis

Dynamic DC is an interactive process in which the user modifies the circuit and the program calculates the DC response immediately and displays one or more measures of the DC state. The process looks like this:

- User modifies the circuit
- MC9 finds the DC solution
- The schematic display is updated

The schematic has four optional display buttons for displaying the circuit's time domain quantities. Each can be individually enabled.



Voltages/states



Device pin currents



Device power



Device condition (ON, OFF, SAT, LIN, etc.)

When the Dynamic DC mode is invoked, the Voltages/states button is enabled, so that, at a minimum, the schematic shows these values. To display current, power, or condition you must click these buttons separately.

You can make any kind of change to the schematic and the program will respond by calculating the new DC state. You can rewire, add or delete components, change parameter values or any edit you wish and the display will show the updated values.

The battery, voltage source, current source, and resistor values can be adjusted in one of two ways:

- Select a device and drag the slider which appears next to it. The presence of the slider can be enabled or disabled from the Slider section of the Preferences dialog box (SHIFT + CTRL + P). By default it is off.
- Select a device (click on it) and you can use the UP ARROW and DOWN ARROW keys to increase or decrease the source value. One or more parts may be selected for simultaneous manipulation in this way. Each key press

changes the value by a fixed percentage value of the high (3 times the original value) and low (-1 times the original value). The percentage value is set in the Analysis Limits dialog box.

Note that the display buttons show the indicated quantities for all analysis modes, not just Dynamic DC. After a transient analysis, the buttons display the ending conditions of the transient analysis, which typically is not the DC operating point but the last transient analysis time point. It would be the result of the transient analysis operating point if the Operating Point Only option has been selected.

After an AC analysis, the buttons show the results of the last DC operating point performed during the analysis, if one was performed.

After a DC analysis, the buttons show the results of the last DC sweep point.

Note that if you drag a component away from a circuit and drop it in an empty space, MC9 will normally object during the analysis setup since this creates one or more nodes with no DC path to ground. Since this is likely to temporarily occur during Dynamic DC, MC9 enables the Add DC Path to Ground option during Dynamic DC.

After the Dynamic DC mode is exited, the option's original status is restored.

When Dynamic DC mode is invoked, its Analysis Limits dialog box is presented to let you set up or change the analysis conditions. It looks like this:
The Analysis Limits dialog box contains these items:

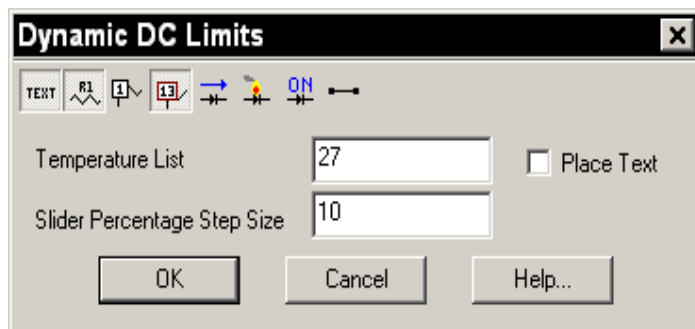




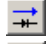





Figure 10-1 Dynamic DC Analysis Limits dialog box

- **Display buttons:** There are several buttons for controlling the display. Each can be individually enabled, from within the dialog box or, after it is closed, from the tool bar.

	Grid Text
	Attribute text
	Node numbers
	DC node voltages / states
	DC pin currents
	DC power terms
	Conditions
	Pin connections

- **Temperature:** This is the temperature at which the analysis is to be run.
- **Slider Percentage Step Size:** This is the percent change that occurs for each key press that increases (Up Arrow) or decreases (Down Arrow) the value of a selected resistor.
- **Place Text:** This check box enables the placement of grid text in the schematic showing the Dynamic DC parameters.

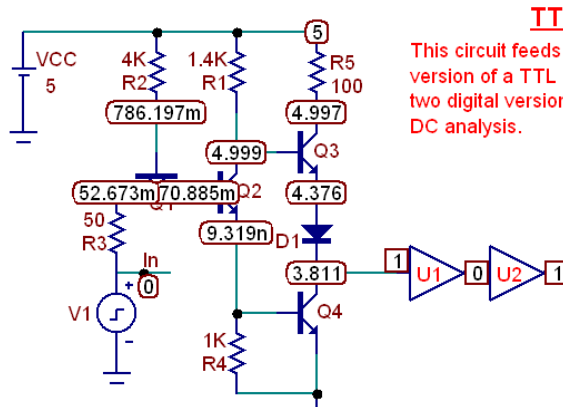
The Analysis Limits dialog box also has these buttons:

- **OK:** This exits the dialog box, but Dynamic DC mode is still in effect. Edits to the schematic now produce dynamic updates to the selected DC quantities.
- **Cancel:** This exits the dialog box, and ignores any changes to the dialog box contents. Dynamic DC mode is still in effect. Edits to the schematic now produce dynamic updates to the selected DC quantities.
- **Help:** This accesses help information for the dialog box.

Dynamic DC values are always shown with a clear fill to readily distinguish them from Dynamic AC quantities which are shown with a shaded fill.

A sample of Dynamic DC analysis

Load the file TTLINV. Select **Dynamic DC** from the **Analysis** menu. Close the Analysis Limits dialog box. The circuit should look like this:

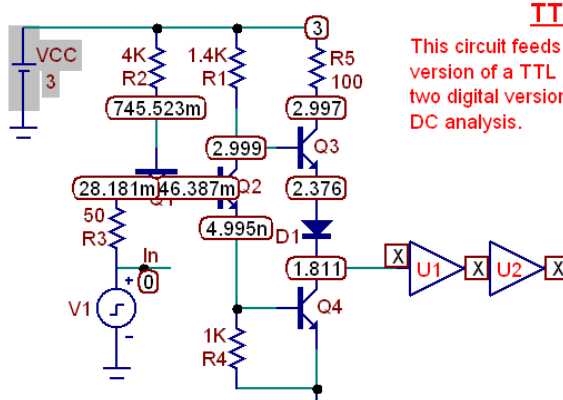


TTLINV.CIR

This circuit feeds a pulse source into an analog version of a TTL inverter which is then connected to two digital versions of the inverter. Run transient and DC analysis.

Figure 10-2 Display of initial node voltages

MC9 solved for the DC voltages in the circuit and displayed the voltages and digital states on the screen. Select the battery by clicking on it, and press the DOWN ARROW key. Each time you press the key, the battery voltage goes down by 10 percent so that after the fourth key press, the circuit looks like this:


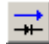


TTLINV.CIR

This circuit feeds a pulse source into an analog version of a TTL inverter which is then connected to two digital versions of the inverter. Run transient and DC analysis.

Figure 10-3 Display of voltages at the switching point

The battery voltage has declined to 3 volts and the output of the analog stage has fallen to about 1.8 volts. The digital states have all changed to X. The dynamic control can be used to adjust DC voltages precisely to show the switching point of the circuit.

Now disable the  voltage button, and enable the  button. This produces a display like this:

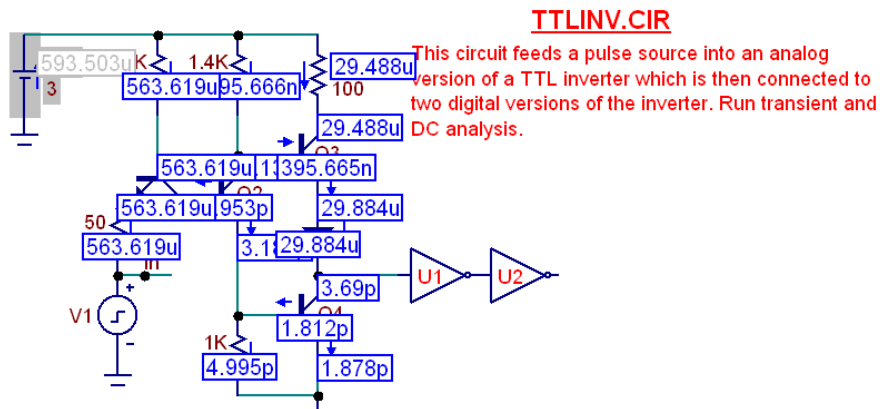




Figure 10-4 Display of device currents

The display now shows each of the device pin currents. Redundant currents have been removed for clarity.

The display shows voltages, currents, and power values using a numeric format specified in **Preferences / Format / Schematic Voltages/Current/Power**. You can change this format to display more digits if you like. The numeric format is explained in Chapter 2. More digits produce more numbers on the screen and often less clarity, so there is a trade-off.

You can also display power terms. Depending upon the device, there may be generated power, dissipated power, or stored power. In general, active devices have both stored and dissipated power terms. In a DC operating point calculation, however, the stored power term will be zero. Sources generally have only generated power terms.

To see what the power displays look like, disable the  button, and enable the  button. This produces a display like this:

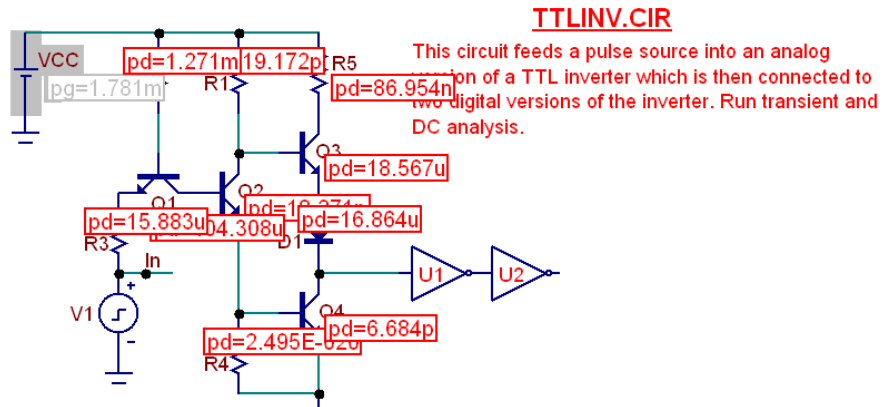




Figure 10-5 Display of device power terms

Finally, to see what the condition display looks like, disable the  button, and enable the  button. This produces a display like this:

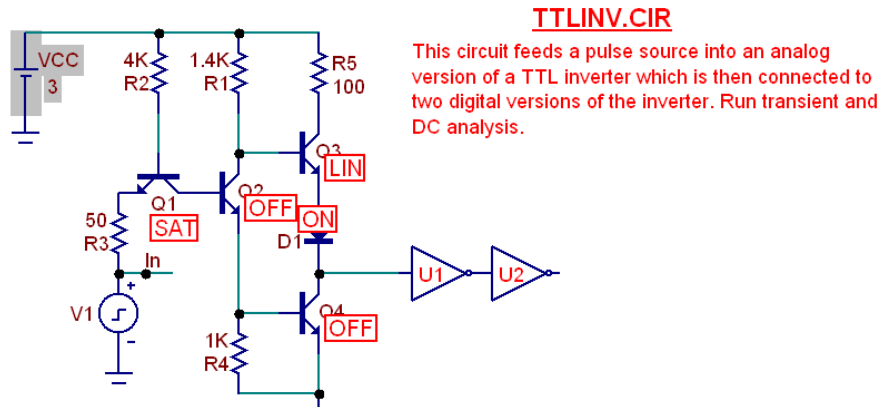


Figure 10-6 Display of device conditions

What's in this chapter

This chapter describes the features of Transfer Function analysis. This analysis mode is designed to calculate the DC transfer function from a specified input source to a specified output expression.

The topics described in this chapter include:

- What happens in Transfer Function analysis
- The Transfer Function analysis dialog box
- A Sample of Transfer Function analysis

What happens in transfer function analysis

Transfer function analysis calculates the small-signal DC transfer function from a specified input source to a specified output expression. Depending upon the input source and the output expression the transfer function calculated can be:

- Voltage gain: Input voltage source and output expression = $V(\text{OUT})$
- Current gain: Input current source and output expression = $I(\text{RL})$
- Transconductance: Input voltage source and output expression = $I(\text{RL})$
- Transadmittance: Input current source and output expression = $V(\text{OUT})$

This analysis mode also calculates the small-signal input and output impedances.

To measure the transfer function, the program makes a very small change in the input source DC value and measures the resulting change in the specified output expression value. The ratio of these two quantities produces the transfer function.

To measure the input impedance, the program makes a very small change in the input source DC value and measures the resulting change in the input current or voltage value. The ratio of these changes produces the input impedance.

To measure the output impedance, the program first adds a test voltage source across the node set implicit in the output expression. For example, an output expression such as " $V(10,20)$ " would result in a voltage source between the nodes 10 and 20. If the output expression has no implicit output node set specified, as would be true with an expression like " $IB(Q1)$ ", the output impedance will not be calculated and the result N/A (meaning not available) supplied for the answer. If the output nodes fall across a battery, inductor, or other voltage-defined device, the answer 0.0 will be returned, since the DC resistances of these are all zero. Finally a small DC change is made in the output test source and the resulting change in its current noted. The ratio of these two quantities produces the output impedance result.

The Transfer Function Analysis Limits dialog box

To illustrate how this type of analysis works, load the file DIFFAMP. Select **Transfer Function** from the **Analysis** menu. The dialog box looks like this:

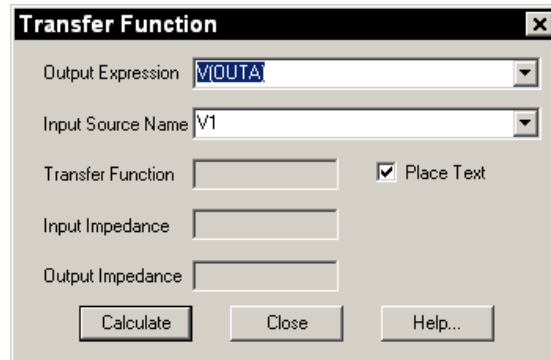


Figure 11-1 The Transfer Function dialog box

The dialog box provides the following input fields:

- **Output Expression:** This is where you specify the desired output expression. It can be any legal expression involving any number of DC time-domain variables and functions. Usually it's a simple expression like V(A,B) or I(R1).
- **Input Source Name:** This is the part name of the input source.

The results are placed in these fields:

- **Transfer Function:** This is the field where the program places the result of the transfer function calculation.
- **Input Impedance:** This is the field where the program places the result of the input impedance calculation.
- **Output Impedance:** This is the field where the program places the result of the output impedance calculation.

There is also an option called "Place Text". If this box is checked, then the numeric results are placed into the schematic as grid text.

A sample of transfer function analysis

To illustrate, make sure the Place Text option is selected, then click on the Calculate button. The display should look like this:

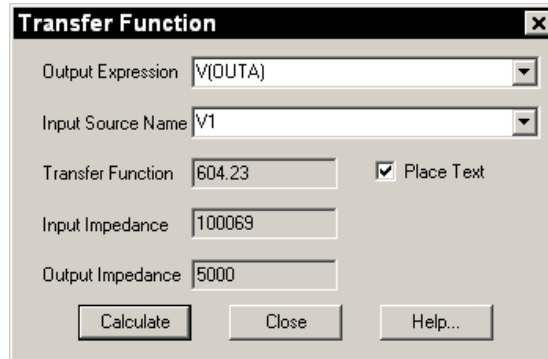


Figure 11-2 The analysis results

MC9 solved for the transfer function and impedances and printed the results in the dialog box. If you run DC analysis and manually calculate the small-signal DC transfer function, you will get the same result, though it will take longer to set up. Click on the Close button. MC9 adds a piece of grid text describing the results of the transfer function analysis to the schematic. Drag it anywhere.

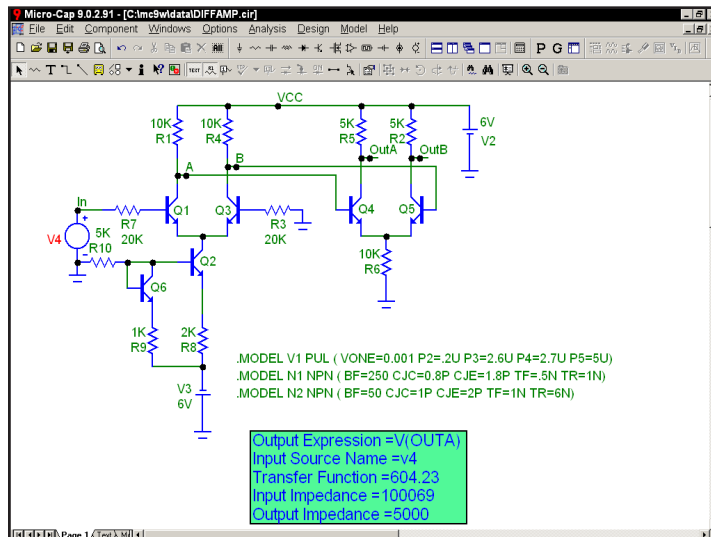


Figure 11-3 The annotated schematic

What's in this chapter

This chapter describes the features of Sensitivity analysis. This analysis mode calculates the DC sensitivity of one or more output expressions to one or more circuit parameters.

The topics described in this chapter include:

- What happens in Sensitivity analysis
- The Sensitivity analysis dialog box
- A Sample of Sensitivity analysis

What happens in sensitivity analysis

Sensitivity analysis calculates the small-signal DC sensitivity of one or more output expressions to one or more input variables. Sensitivity is defined as:

$$\text{Change in an output expression} / \text{Small change in an input variable}$$

The "Small change" part is important, as the intention is to approximate the value of the derivative at the nominal operating point. Accordingly, a change of $1E-6 * \text{Value}$ is used, or if Value is zero then a change of 1U is used.

Sensitivity analysis is like transfer function analysis, except that it calculates the sensitivity of almost any DC expression to any variable that can be stepped. Transfer function analysis, by contrast, only calculates the DC sensitivity of expressions to the value of input DC source values.

Sensitivity analysis can calculate a great many quantities depending upon the choices made in the dialog box. You can choose one input parameter or you can choose many. If you choose many, and opt for all parameters, the program may grind away for a long time, so choose wisely. If you select the All On and Model options, for example, each MOSFET level 1-3 model will require 51 operating point calculations, and the MOSFET levels 5 and up will require many hundreds.

The Sensitivity Analysis Limits dialog box

To illustrate how this type of analysis works, load the circuit DIFFAMP. Select **Sensitivity** from the **Analysis** menu. The dialog box looks like this:

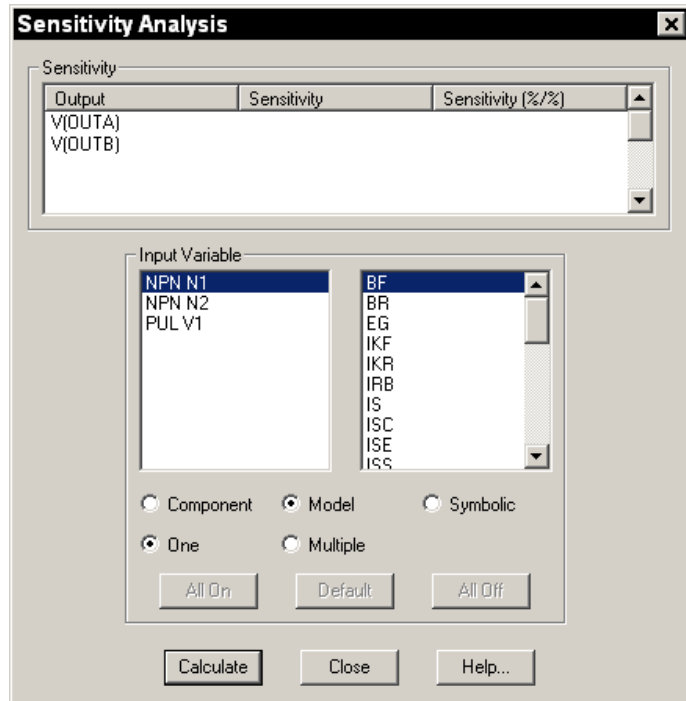


Figure 12-1 The Sensitivity dialog box

The dialog box provides the following input fields:

- **Sensitivity group:** This is where you specify the desired output expressions and it is also where the sensitivity answer is returned. There are three fields:
 - **Output:** This is where you specify one or more output expressions. Each expression is placed on a new line. To edit an existing expression click on it. To add a new output, click on a blank line and type in the new expression.
 - **Sensitivity:** This is the absolute sensitivity expressed as a pure ratio.

- Sensitivity (%/%) : This is sensitivity expressed as the percentage change in the output expression divided by the percentage change in the input parameter.

Both measures of sensitivity are printed in this window if only one input variable is selected. If more than one is selected, then the results are placed in a text output file called CIRCUIITNAME.SEN.

- Input Variable group: This group is used to specify the input parameter. The fields are the same as in the Stepping dialog box, as the same parameters are available in both cases. There are several buttons that select the input parameter(s):

- Component: This specifies a single instance of a part's parameter.
- Model: This specifies a model parameter, affecting all parts that use the model name.
- Symbolic: This specifies a symbolic parameter (one created with a .define statement).
- One: This selects a single parameter for testing.
- Multiple: This selects multiple parameters for testing. Specifically, it specifies all those parameters shown as selected in the Input Variable group.

To specify which parameters to test when doing multiple input parameters, you can use the buttons as follows:

- All On: This selects all parameters for all devices, creating lots of data.
- Default: This selects a special subset of parameters for all devices. The set has been chosen to reflect common usage.
- All Off: This deselects all parameters for all devices.

You can manually select the parameters you want by using the CTRL + click method to select a list of preferred parameters.

To start the sensitivity calculation use the Calculate button. The Close button closes the dialog box without saving any changes.

Select NPN N1 and its BF parameter. Click on the Calculate button and the dialog box shows the results.

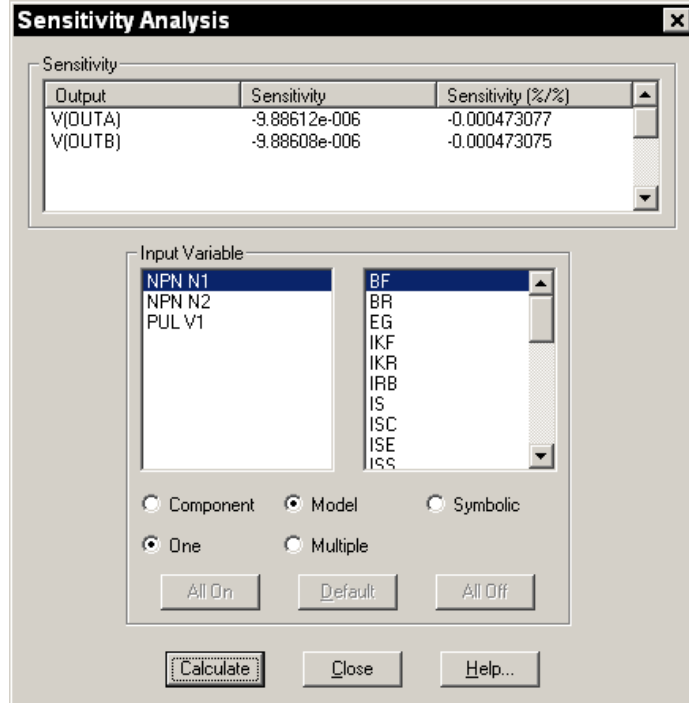


Figure 12-2 Sensitivity of V(OUTA) and V(OUTB) to BF of N1

The Sensitivity fields show the raw and percentage relative sensitivity of V(OUTA) and V(OUTB) to the BF parameter.

Because we elected to calculate for only one parameter, the results are shown in the dialog box.

To see the effect of doing sensitivity for many parameters, click on the Model and Multiple options and the Default button.

Click on the Calculate button and the program computes the sensitivity of the two output expressions to the default model parameters and presents the results in a text page called DIFFAMP.SEN. It looks like Figure 12-3.

The file shows the two sensitivity measures for each selected input variable in a tabular format as show below:

Name	Value	V(OUTA)		V(OUTB)	
		Sensitivity	Sensitivity (%)	Sensitivity	Sensitivity (%)
R1.Value	10000	0.00243545	3.04453	-0.00258296	-4.94406
R4.Value	10000	-0.00258296	-4.94406	0.00243545	3.04453
R2.Value	5000	-2.67647e-011	-2.56152e-008	-0.000155125	-0.148463
R5.Value	5000	-0.000155125	-0.148463	-1.51061e-011	-1.44574e-008
R6.Value	10000	7.66959e-005	0.146804	7.66959e-005	0.146804
R3.Value	20000	0.000520174	1.99134	-0.000520232	-1.99156
R7.Value	20000	-0.000520232	-1.99156	0.000520174	1.99134
R10.Value	5000	-8.63966e-005	-0.0826861	-8.63966e-005	-0.0826861
R9.Value	1000	0.000415557	0.079542	0.000415557	0.079542
R8.Value	2000	-0.00025418	-0.097792	-0.00025418	-0.097792
V3.dc.value	6	0.0990337	0.113737	0.0990337	0.113737
V2.dc.value	6	0.753532	0.865403	0.753532	0.865403
V1.dc.value	1e-006	0	0	0	0
NFN M1.BF	250	-9.88608e-006	-0.000473075	-9.88612e-006	-0.000473077
NFN M1.BR	1	3.07523e-008	5.88631e-009	-2.90754e-008	-5.56534e-009
NFN M1.IKF	1e-006	2.13955e+008	40.9533	2.13955e+008	40.9533
NFN M1.IKR	1e-006	-6.98439	-1.33689e-006	-7.02369	-1.34441e-006
NFN M1.IS	1e-016	-6.37144e+013	-0.00121956	-6.3715e+013	-0.00121957
NFN M1.IKQ	1e-006	-5.005e+006	-0.958009	-5.005e+006	-0.958009
NFN M1.ISE	1e-006	7.75626e+008	148.463	7.75626e+008	148.463
NFN M1.NC	2	0	0	0	0
NFN M1.NE	1.5	0	0	0	0
NFN M1.NF	1	0.178996	0.0342501	0.178995	0.0342501
NFN M1.NR	1	2.07052e-008	3.9632e-009	-2.0691e-008	-3.96048e-009
NFN M1.RB	1e-006	7.75619e+008	148.462	7.75619e+008	148.462
NFN M1.RC	1e-006	7.75626e+008	148.463	7.75626e+008	148.463
NFN M1.RE	1e-006	7.75626e+008	148.463	7.75626e+008	148.463
NFN M1.VAF	1e-006	-9.2837e+007	-17.77	-9.2837e+007	-17.77
NFN M1.VAR	1e-006	-6.11938e+009	-1171.31	1.22379e+010	2342.46
NFN M2.BF	50	0.000290741	0.00278254	0.00029074	0.00278253
NFN M2.BR	1	1.41824e-008	2.71467e-009	-2.65885e-008	-5.08932e-009
NFN M2.IKF	1e-006	-3.88483e+008	-74.1596	-3.88483e+008	-74.1596
NFN M2.IKR	1e-006	105.822	2.02555e-005	105.775	2.02464e-005
NFN M2.IS	1e-016	2.56018e+013	0.000490045	2.56012e+013	0.000490034

Figure 12-3 Multiple parameter sensitivity results

What's in this chapter

This chapter describes the features of distortion analysis. This analysis mode calculates the distortion in a user defined output expression caused by the circuit's nonlinear transfer function.

The principal topics described in this chapter include:

- What happens in distortion analysis
- The distortion analysis dialog box
- A sample of distortion analysis

Features new in Micro-Cap 9

- New Operating point calculation routines are available for difficult circuits. Users can now select the operating point methods to be used and the order.
- Slider bars can be assigned to any parameter that can be stepped to provide easy slide-bar editing.

What happens in distortion analysis

Distortion analysis is a type of transient analysis that applies a single frequency sinusoidal signal to the named input source and measures the resulting distortion in the specified output expression using the IHD (Individual Harmonic Distortion) function.

If a pure, single frequency, sine wave signal is applied to the circuit input and if the circuit is perfectly linear, the output will be a sinusoid at the same frequency. The spectral content of the input and output will be the same except possibly in amplitude and phase. There will be no distortion.

To the extent that the circuit isn't perfectly linear, some output signal level will be found at frequencies other than the input frequency. In other words, distortion will occur. The IHD (Individual Harmonic Distortion) function shows the distortion at each harmonic frequency as a percentage of the signal level at the fundamental frequency.

Everything done in distortion analysis could also be done in transient analysis. Distortion analysis simply automates the setup and creates the appropriate plots to show distortion results easily.

For Distortion analysis, a Sin source or a Voltage Source or Current Source of type SIN must be connected to the circuit input. Its frequency and amplitude will be set by values from the Distortion Analysis Limits dialog box.

The Distortion Analysis Limits dialog box

To show how distortion analysis works, load the circuit DIST1. Select **Distortion** from the **Analysis** menu. The dialog box looks like this:

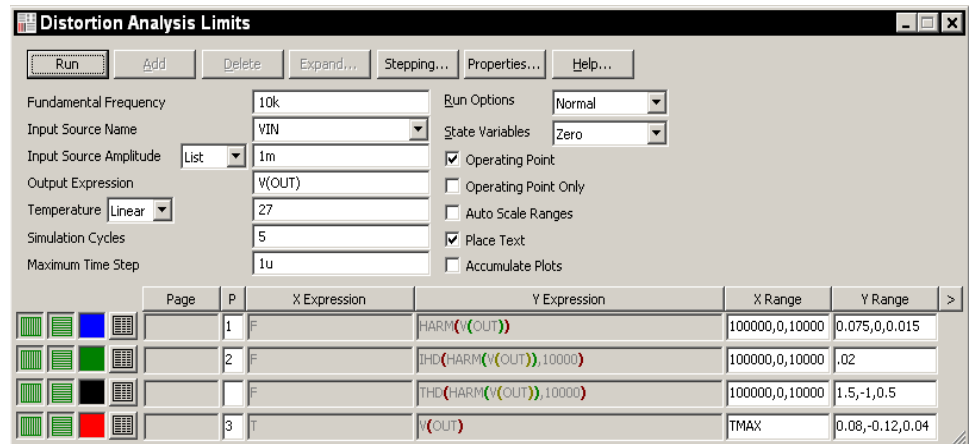


Figure 13-1 Distortion Analysis Limits dialog box

The dialog box provides the following input fields:

- **Fundamental Frequency:** This is the fundamental frequency (F0) to be used in the analysis. The frequency of the sine source driving the input will be set to this value.
- **Input Source Name:** This is the name of the source to be used as input. It must be either a Sine Source, or a Voltage Source or Current Source of type SIN. In order to run distortion analysis, one of these sources must be present in the schematic and should be connected to the circuit input.
- **Input Source Amplitude:** This is the amplitude of the input sine wave. It can be a single value or a list of values for stepping. The stepping formats are

List: A comma delimited list of values. Example 100mv,10mv, 1mv
Linear: End, Start, Step. Example 1.0, 0.5, 0.1
Log: End, Start, Multiplier. Example 1.0, 0.01, 10

These formats follow the usual conventions for stepped parameters.

Note that the Input Source Amplitude contents are mapped into the first panel of the Stepping dialog box. If you want to step another variable, use one of the other panels. Up to 20 items may be stepped.

- **Output Expression:** This is the output expression to be used to measure distortion. Usually it is something simple like V(OUT), but it can be any expression, like the power delivered to a load, as in PD(RLOAD).
- **Temperature:** This is the operating temperature for the simulation.
- **Simulation Cycles:** This is the number of periods of the fundamental frequency that the simulation will run for. It should be long enough to get past any initial transients. A suitable number for most circuits is 3-5. Note that even though MC9 might run the simulation for 3-5 cycles, it only uses the last full cycle for FFT calculations. For example, if you specified a fundamental frequency of 10Khz and 5 for this field, MC9 would run the simulation for $t_{max} = 5/F_0 = 5/10K = 5*100\mu S = 500\mu S$. It would then use that part of the output expression waveform from the end of the 4'th cycle (400uS) to the end of the 5'th cycle (500uS) for the FFT calculations. This truncated waveform can be seen in the third plot and is labeled Sampled Waveform.
- **Maximum Time Step:** Use this value to specify the maximum time step to be used in the analysis. This value is typically set between .01 and .001 times the Simulation Run Time in order to get sufficient resolution in the output waveform.

Distortion analysis example

To illustrate how distortion analysis works we'll use the file DIST1.CIR.

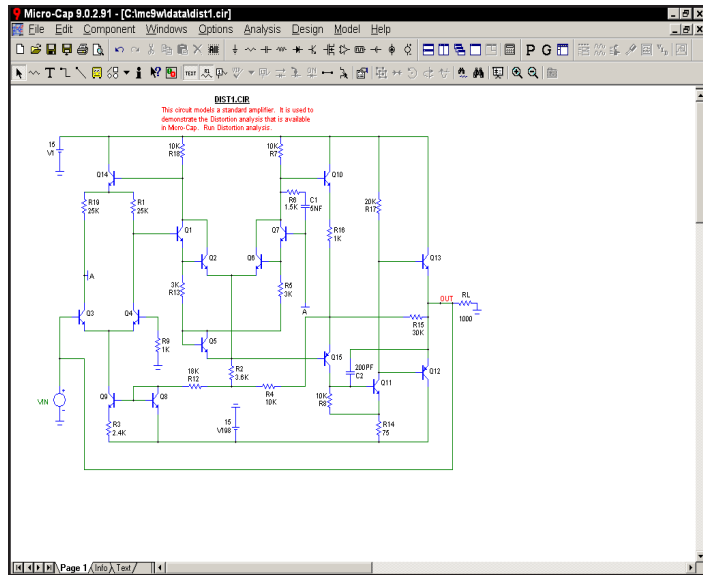


Figure 13-2 Distortion sample circuit

This example uses the classic UA709 schematic. Select **Distortion** from the **Analysis** menu. This displays the Distortion Analysis Limits dialog box. The analysis limits are set up to produce three plots:

HARM(V(OUT))

This plots the magnitude of the harmonics present in the output expression V(OUT) versus frequency.

IHD(HARM(V(OUT)),10000)

This plots the distortion as a percentage of the fundamental (10KHz) magnitude for each of the harmonics in the output expression V(OUT) versus frequency.

V(OUT)

This shows the output expression, in this case V(OUT), versus time.

Press F2 to start the analysis. The results look like this:

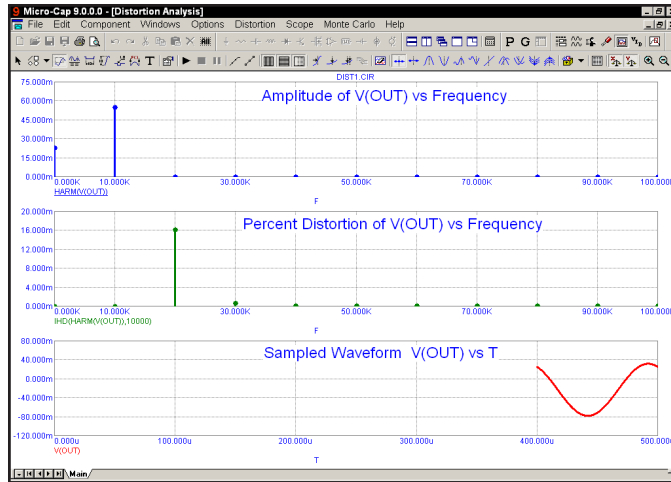


Figure 13-3 Distortion plot

This analysis presents a 1mV sine signal to the input signal source called VIN, runs the analysis for 500uS, samples the output expression V(OUT) from 400uS to 500uS and plots the resulting harmonics, distortion, and the sampled waveform.

Since we are only interested in the steady state, sampling the waveform after 400uS helps to avoid most of the initial transients that might otherwise corrupt the distortion measurement.

The plot shows the 2nd harmonic distortion to be about 16m% or 0.016% and the 3rd harmonic distortion to be less than 1m% or 0.001%.

Note that there is an optional THD plot that is set up but disabled. To plot it, give it a plot group number in the P column.

Caveats

- **Distortion is sensitive to initial transients:** Use the Simulation Cycles value to insure that the transients have settled. Start with 3-5 periods and then reduce the number until the distortion numbers no longer change.
- **Distortion is sensitive to signal level:** Because all real circuits have some nonlinearity, distortion is very sensitive to the signal level. Be sure to use a signal level that is appropriate to your application.

What's in this chapter

Scope is a term for the collection of tools for displaying, analyzing, and annotating the analysis plot and its curves. Available in transient, AC, DC, and Distortion analysis, it lets you expand, contract, pan, manipulate curves, and display their numeric values. Cursors are available with commands to locate local peaks, valleys, maxima, minima, slopes, inflection points, and specific values. Tags, text, and graphics are available to annotate and document the plot.

Features new in Micro-Cap 9

- A Waveform Buffer was added to facilitate easy storage and display of curves and waveforms.
- Performance Tags can be added to an analysis plot to measure performance parameters each time the analysis is run.
- A new Envelope command creates a polygonal region enveloping all of the branches of a selected curve, showing a range of variation band diagram.
- A new Auto Scale Visible Region command automatically scales the Y axes over the visible X regions.

Analysis plot modes

After an AC, DC, transient, or distortion analysis is complete, there are several modes for reviewing, analyzing, and annotating the analysis plot.



• **Select: (CTRL + E)** In this mode, the left mouse button is used to select text, tags, and graphic objects for moving and editing.



• **Graphics:** Clicking on this button lets you select a graphic object (line, ellipse, rectangle, diamond, arc, pie, brace(s), or polygon for placement on the plot. Once the object has been selected you drag the mouse to create the object.



• **Scale: (F7)** In this mode, you drag the left mouse button to define a plot region box to magnify. When the mouse is released, the plot is redrawn to the image scale of the region. You can also use CTRL ++ and CTRL +- keys to magnify and shrink the scale.



• **Cursor: (F8)** In this mode, the display shows the value of each curve at each of two numeric cursors. The left mouse button controls the left cursor and the right button controls the right cursor. The left cursor is initially placed on the first data point. The right cursor is initially placed on the last data point. The LEFT ARROW or RIGHT ARROW keys move the left cursor (or right cursor if SHIFT is also pressed) to a point on the selected curve. Depending on the cursor positioning mode, the point may be the next local peak or valley, global high or low, inflection point, next simulated data point, next interpolated data point, top, or bottom.



• **Point Tag:** In this mode, the left mouse button is used to tag a data point with its numeric (X,Y) value. The tag will snap to the nearest data point.



• **Horizontal Tag:** In this mode, the left mouse button is used to drag between two data points to measure the horizontal delta. The tag will snap to the nearest data points.



• **Vertical Tag:** In this mode, the left mouse button is used to drag between two data points to measure the vertical delta. The tag will snap to the nearest data points.



- **Performance Tag:** In this mode, the left mouse button is used to place a performance tag which measures a performance parameter for any subsequent run. This includes stepped runs, Monte Carlo runs, or even simple dynamic edits. In each case the tag measures the quantity and dynamically adapts its display to show the new value.



- **Text: (CTRL + T)** This mode lets you place text on an analysis plot. You can place relative or absolute text. Relative text maintains its position relative to the curve when the plot scale is changed. Absolute text maintains its position relative to the plot frame. You can also control text border and fill colors, orientation, font, style, size, and effects.

Panning the plot

Panning means to change the plot view without changing the scale. It is usually employed after zooming in. There are two ways to pan the plot:

Keyboard:

Use CTRL + LEFT ARROW to pan the plot to the left.

Use CTRL + RIGHT ARROW to pan the plot to the right.

Use CTRL + UP ARROW to pan the plot up.

Use CTRL + DOWN ARROW to pan the plot down.

Keyboard panning is available from any mode.

Mouse:

Cursor mode: Press and hold the CTRL key down. Place the mouse in the plot window and drag the *right* mouse button in the desired direction.

Other modes: Place the mouse in the plot window and drag the *right* mouse button in the desired direction.


Panning moves only the curves in the selected plot group. Click in another plot group, click on a plot expression in another plot group, or use the Tab key to select a different plot group.


Scaling the plot

Scaling shrinks or magnifies the analysis plot after the analysis is complete. Magnifying enlarges a small region of the plot for inspection. Shrinking brings the plot scale back to a smaller size for a more global view of the plot. The Enable Scaling option in the X and Y sections of the Properties (F10) / Scales and Formats panel allows scaling to occur in either or both the X and Y directions. It controls each of the following scaling methods:

Auto Scale: (F6) This command immediately scales the selected plot group. The selected group is the plot group containing the selected or underlined curve.

Restore Limit Scales: (CTRL + Home) This command draws all plots using the existing scale ranges from the Analysis Limits dialog box.

Zoom-Out: (CTRL + Numeric pad -) This command shrinks the image size of the selected plot group. Zoom-Out  does the same thing.

Zoom-In: (CTRL + Numeric pad +) This command enlarges the image size of the selected plot group. Zoom-In  does the same thing.

Mouse Scaling:

Scale mode: Place the mouse near one corner of the region to be magnified and drag the *left* mouse button to the other corner.

Cursor mode: Press and hold the CTRL key. Place the mouse near one corner of the region to be magnified and drag the *left* mouse button to the other corner. This is the same as in Scale mode, but with the CTRL key held down during the drag.

Mouse Scaling is available only in Scale and Cursor modes.

Properties dialog box: (F10) This dialog box controls the characteristics of the front window. When the front window is an analysis plot, this dialog box contains a Scales and Formats panel which lets you manually change the scales of individual curves after the analysis run.

Undo: (CTRL + Z) This command restores the prior scale.

Redo: (CTRL + Y) This command undoes the last scale undo.

Tagging the plot

Tagging is a way of both measuring and documenting a data point or difference between two data points. Tagging can be done on a single curve, between two points on a single curve, or between two points on two curves. There are three tagging modes:



Point Tag mode: This mode lets you tag a data point on a curve. It shows the X expression and Y expression values at the data point. This mode is very useful for measuring or documenting the exact time of a digital event, or the peak or valley of an analog curve.



Vertical Tag mode: This mode lets you drag a tag between two data points on one or two curves. It shows the vertical difference between the Y values at the two data points.



Horizontal Tag mode: This mode lets you drag a tag between two data points on a single curve or two different curves. It shows the horizontal difference between the X expression values at two data points. It is most useful for measuring the time difference between two digital events such as the width of a pulse or the time delay between two events.



Performance Tag: In this mode, the left mouse button places a tag which measures a performance parameter for the current and subsequent plots. This includes stepped runs, Monte Carlo runs, and dynamic edits. In each case the tag measures the quantity dynamically and adapts its display to show the new value. Performance tags may use any of the performance functions (e.g. rise time, fall time, peak, period, frequency, width, high, low, etc).


There are also several immediate commands for tagging the data points at the numeric cursors.

- Tag Left Cursor: (CTRL + L) This command attaches a tag to the left cursor data point on the selected curve.
- Tag Right Cursor: (CTRL + R) This command attaches a tag to the right cursor data point on the selected curve.
- Tag Horizontal: (SHIFT + CTRL + H) This command attaches a horizontal tag from the left to the right cursor, showing the difference between the two X expression values.

- **Tag Vertical:** (SHIFT + CTRL + V) This command attaches a vertical tag from the left to the right cursor, showing the difference between the two Y expression values.

The numeric format used by each new tag is set at **Preferences / Format / Analysis Plot Tags**. You can change the format on an existing tag by double-clicking on it. This brings up its dialog box. The Format button in this dialog box lets you change the numeric format.

Adding graphics to the plot

You can add graphic symbols to the analysis plot when in the Graphics mode. To invoke the Graphics mode, click on the graphics button,  and select one of the objects from the menu that pops up. To add one of the graphic objects, click and drag in the plot area. The objects are:

- Rectangle
- Line
- Ellipse
- Diamond
- Arc
- Pie
- {
- }
- { }
- Polygon

Each of these objects can be edited after creation by double-clicking on them. This invokes a dialog box that lets you change their border and fill characteristics.

The polygon object allows direct numerical editing of the polygon vertices. It is intended as a design template, a region describing the area that a curve or curves may occupy and still be within specification. The filter designer adds a polygon to the AC plot to indicate the acceptable region for the Bode plot from the user's filter specs. You can use the constants MIN and MAX to specify the plot minimum and maximum coordinates easily.

To see an example of a design polygon, create a filter circuit using the active or passive filter functions from the **Design** menu and run an AC analysis. Enter Select mode and then double-click on the yellow polygon to see its properties, including its border, fill, and vertex structure.

Scope menu

The **Scope** menu provides these options:

- **Delete All Objects:** This command removes all objects (shapes, tags, or text) from the analysis plot. To delete an object, select it by clicking on it, then press CTRL + X or the DELETE key. To delete all objects use CTRL + A to select all objects, then press CTRL + X or the DELETE key.
- **Auto Scale (F6):** This command scales the plot group containing the selected curve. The selected curve is the one whose Y expression is underlined.
- **Auto Scale Visible Region:** This command scales the vertical or Y axis of the curves by considering only Y values within the currently visible or displayed X region. This command is handy when you have zoomed in on a small part of a curve and want to auto scale only the vertical region while maintaining the X axis scale.
- **Restore Limit Scales (CTRL + HOME):** This command restores the range scales to the values in the Analysis Limits dialog box.



- **Go Up a Level (ALT + Up):** In Probe mode, this displays the next highest level in a hierarchical schematic (one containing macros or subcircuits).

- **View:** The view options only affect the display of simulation results, so you may change these after a run and the screen is redrawn accordingly. These options may also be accessed through Tool bar icons shown below.



- **Data Points:** This marks the actual points calculated by the program on the curve plot. All other values are linearly interpolated.



- **Tokens:** This adds tokens to each curve plot. Tokens are small graphic symbols that help identify the curves.



- **Ruler:** This substitutes ruler tick marks for the normal full screen X and Y axis grid lines.



- **Plus Mark:** This replaces continuous grids with "+" marks at the intersection of the X and Y grids.



- **Horizontal Axis Grids:** This adds grids to the horizontal axis.



- **Vertical Axis Grids:** This adds grids to the vertical axis.



- **Minor Log Grids:** This adds but does not label minor log grids between major grids at the 2, 3, 4...9 positions.



- **Minor Log Grids 2 5:** This adds and labels minor log grids between major grids at the 2 and 5 positions.

- **Label All Minor Grids:** This labels minor grids.



- **Baseline:** This adds a plot of the value 0.0 for use as a reference.



- **Horizontal Cursor:** In cursor mode (F8), this adds horizontal cursors to complement the vertical cursors.

- **Trackers:** These options control the display of the cursor, intercept, and mouse trackers, which are little boxes containing the numeric values at the cursor data point, its X and Y intercepts, or at the current mouse position.

- **Cursor Functions:** These control the cursor positioning in Cursor mode. Cursor positioning is described in more detail at the end of this chapter.



- **Waveform Buffer:** This buffer saves curves and waveforms for later use. There are several items on this menu.

- **Waveform Buffer:** This accesses the Waveform Buffer dialog box. It lets you manage the curve collection and select curves for display.




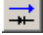



- **Save a Waveform to the Buffer:** This lets you add one of the plotted curves to the Waveform Buffer.

- **Retain:** This also lets you add a plotted curve to the Waveform Buffer but it adds a plot of the saved waveform to the Analysis Limits.

- **Label Branches:** This lets you select automatic or user-specified X location for labeling multiple branches of a curve. This option appears when multiple branches are created by Monte Carlo, or parameter or temperature stepping. To remove labels, select them with the mouse, or select all objects with CTRL + A, then press the delete key.

- **Label Data Points:** This accesses a dialog box which lets you specify a set of time, frequency, or input sweep data points, in transient, AC, or DC analysis, respectively, which are to be labelled. This command is mostly used to label frequency data points on polar and Smith charts. To remove labeled points delete them from the dialog box.

- **Envelope:** This option draws a polygonal region enveloping all of the branches of the selected curve. To use this option, select one of the curves, then select this item from the menu. To delete the envelope, select it and press the Delete key.

- **Animate Options:** This option displays the node voltages/states, and optionally, device currents, power, and operating conditions (ON, OFF, etc.), on the schematic as they change from one data point to the next. To use this option, click on the  button, select one of the wait modes, then click on the Tile Horizontal  button, or Tile Vertical  button, then start the run. If the schematic is visible, MC9 prints the node voltages on analog nodes and the node states on digital nodes. To print device currents click on . To print device power click on . To print the device conditions click . It lets you see the evolution of states as the analysis proceeds. To restore a full screen plot, click on the  button.



- **Thumb Nail Plot:** This option draws a small guide plot which gives a global view of where the current plot(s) are on the whole curve. You select different views by dragging a box over the curve with the left mouse button. Dragging the box with the right mouse button pans the main plot.

- **Normalize at Cursor: (CTRL + N)** This option normalizes the selected (underlined) curve at the current active cursor position. The active cursor is the last cursor moved, or if neither has been moved, then the left cursor. Normalization divides each of the curve's Y values by the Y value of the curve at the current cursor position, producing a normalized value of 1.0 there. If the Y expression contains the dB operator and the X expression is F (Frequency), then the normalization subtracts the value of the Y expression at the current data point from each of the curve's data points, producing a value of 0.0 at the current cursor position.

- **Normalize at Minimum:** This option normalizes the selected (underlined) curve at its minimum value.

- **Normalize at Maximum:** This option normalizes the selected (underlined) curve at its maximum value.



- **Go to X: (SHIFT + CTRL + X)** This command lets you move the left or right cursor to the next instance of a specific value of the X expression of the selected curve. It then reports the Y expression value at that data point.



- **Go to Y: (SHIFT + CTRL + Y)** This command lets you move the left or right cursor to the next instance of a specific value of the Y expression of the selected curve. It then reports the X expression value at that data point.



- **Go to Performance:** This command calculates performance function values on the Y expression of the selected curve. It also moves the cursors to the measurement points. For example, you can measure pulse widths and bandwidths, rise and fall times, delays, periods, and maxima and minima.



- **Go to Branch:** This command lets you select which branch of a curve to place the left and right cursors on. The left cursor branch is colored in the primary select color and the right cursor branch in the secondary select color.

- **Tag Left Cursor: (CTRL + L)** This command attaches a tag to the left cursor data point on the selected curve.

- **Tag Right Cursor: (CTRL + R)** This command attaches a tag to the right cursor data point on the selected curve.

- **Tag Horizontal: (SHIFT + CTRL + H)** This command places a horizontal tag between the left and the right cursor, showing the difference between the two X expression values.

- **Tag Vertical: (SHIFT + CTRL + V)** This command places a vertical tag between the left and the right cursor, showing the difference between the two Y expression values.

- **Align Cursors:** This option, available only in Cursor mode, forces the numeric cursors of different plot groups to stay on the same data point.

- **Keep Cursors on Same Branch:** When stepping produces multiple runs, one line is plotted for each run for each plotted expression. These lines are called branches of the curve or expression. This option forces the left and right cursors to stay on the same branch of the selected curve when the UP

ARROW and DOWN ARROW cursor keys are used to move the numeric cursors among the several branches. If this option is disabled the cursor keys will move only the left or right numeric cursors, not both, allowing them to occupy positions on different branches of the curve.

- **Same Y Scales For Each Plot Group:** This option forces all curves in a plot group to use the same Y scale. If the curves have different Y Range values, one or more Y scales will be drawn, which may lead to crowding of the plot with scales.
- **Enable X Scaling:** This option enables horizontal axis scaling for the F6 (Auto Scaling), Zoom (+,-), and panning and drag scaling commands. If this option is enabled and you press F6, the curves in the selected plot group will be auto-scaled in the horizontal direction. Vertical axes are not affected by this option. The Auto Scale option on the Analysis Limits dialog box overrides this option and auto-scales both the X and Y axes.
- **Enable Y Scaling:** This option enables vertical axis scaling for the F6 (Auto Scaling), Zoom (+,-), and panning and drag scaling commands. If this option is enabled and you press F6, the curves in the selected plot group will be auto-scaled in the vertical direction. Horizontal axes are not affected by this option. The Auto Scale option on the Analysis Limits dialog box overrides this option and auto-scales both the X and Y axes.
- **Keep X Scales the Same:** This option forces all horizontal scales using the same X expression to be the same. In other words, drag scaling or panning in plot group 1 will change the horizontal scale in all plot groups that have the same X expression. This option is convenient when you want separate plot groups but want the scales to remain the same.



- **Clear Accumulated Plots:** If the Accumulate Plots option from the Analysis Limits dialog box is enabled, MC9 accumulates plots resulting from schematic changes. The plot area can become congested. This command clears the congestion by removing the accumulated plots.

Note 1: In all modes except Cursor, a drag of the right mouse button pans the plot. In Cursor mode, CTRL + right mouse drag pans the plot.

Note 2: Press the SPACEBAR key to toggle between the current mode and Select mode.

The Plot Properties dialog box

Curve display and format can be changed after the run with the Properties dialog box. It looks like this:

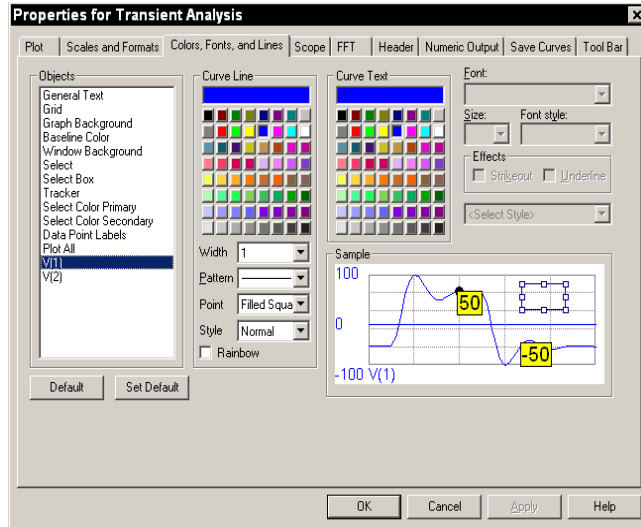


Figure 14-1 The Plot Properties dialog box

The Plot Properties dialog box lets you control the analysis plot window. It can be used for controlling curve display after or even before the plot. Before a plot exists, you can access the dialog box by clicking on the Properties button in the Analysis Limits dialog box. The dialog box provides the following choices:

- **Plot**

Curves: This lets you select the curve that Plot and Graph fields apply to.

Title: This lets you specify what the plot title is to be. If the Auto button is checked, the title is automatically created from the circuit name and analysis run details.

Curve: This check box controls the plotting of the selected curve. To hide the curve, remove the check mark by clicking in the box.

Plot Group: This controls the plot group number.

Plot Type: This controls the plot type, rectangular, polar, or Smith chart. The latter two are available only on AC analysis.

- **Scales and Formats**

Curves: This lets you select the curve that the other fields apply to.

X: This group includes:

Range Low: This is the low value of the X range used to plot the selected curve.

Range High: This is the high value of the X range used to plot the selected curve.

Grid Spacing: This is the distance between X grids.

Bold Grid Spacing: This is the distance between bold X grids.

Scale Factor: This lets you specify an optional X scale factor from the list (None, Auto, T, G, Meg, K, m, u, n, p, f).

Scale Units: This lets you specify optional X axis units from the list (None, Auto, Seconds, Volts, Amps, Ohms, ...). Auto can select suitable units for simple expressions such as S for Time, but complex expressions such as T+10 are ignored.

Scale Format: This lets you specify the numeric format used to print the X axis scale.

Value Format: This lets you specify the numeric format used to print the X value in the table below the plot in Cursor mode, in the tracker boxes, and in numeric output.

Auto Scale: This command scales the X Range and places the numbers into the Range Low and Range High fields. The effect on the plot can be seen by clicking the Apply button.

Log: If checked this makes the X scale log.

Auto/Static Grids: This is the number of X axis grids to use when auto scaling or Static Grids are used.

Enable Scaling: When this item is checked, all immediate action X axis scaling and panning commands (F6, CTRL + +, CTRL + -, mouse drag) are enabled.

Y: This group provides complementary commands for the Y axis group:

Range Low: This is the low value of the Y range used to plot the selected curve.

Range High: This is the high value of the Y range used to plot the selected curve.

Grid Spacing: This is the distance between Y grids.

Bold Grid Spacing: This is the distance between bold Y grids.

Scale Factor: This lets you specify an optional Y scale factor from the list (None, Auto, T, G, Meg, K, m, u, n, p, f).

Scale Units: This lets you specify optional Y axis units from the list (None, Auto, Seconds, Volts, Amps, Ohms, ...). Auto can select suitable units for simple expressions such as V for V(A), but complex expressions such as V(A)^2 are ignored.

Scale Format: This is the Y axis scale numeric format.

Value Format: This lets you specify the numeric format used in the numeric output window, to print the Y value in the table below the plot in Cursor mode, and in the tracker boxes.

Auto Scale: This command scales the Y Range and places the numbers into the Range Low and Range High fields. The effect on the plot can be seen by clicking the Apply button.

Log: If checked this makes the Y scale log.

Auto/Static Grids: This is the number of Y axis grids to use when auto scaling or Static Grids are used.

Enable Scaling: When this item is checked, all immediate action Y axis scaling and panning commands (F6, CTRL ++, CTRL +- mouse drag) are enabled.

Static Grids: This option uses the number N specified in the Auto/Static Grids field for the number of grids in the X and Y axes, keeping the grid spacing at $(\text{Range High} - \text{Range Low}) / N$. This option forces the use of

fixed location, variable value, MC6-style plot grids versus the newer floating grids that move as the plot is panned.

Keep X Scales the Same: This option forces all horizontal scales using the same X expression to be the same. In other words, drag scaling or panning in plot group 1 will change the horizontal scale in all plot groups that have the same X expression. This option is convenient when you want separate plot groups but want the scales to remain the same.

Slope Calculation: This lets you select the Normal, dB/Octave, or dB/Decade method of calculating slopes.

Same Y Scales for Each Plot Group: Enabling this check box forces the Auto Scale command to use a single common scale for all plots within a graph group. If the box is not checked, the Auto Scale command sets individual scales for each curve.

Save Range Edits: Enabling this check box causes any edits to the range fields to be copied to the appropriate range fields of the Analysis Limits dialog box, making them permanent.

Use Common Formats: Clicking this button copies the X and Y formats of the selected curve to the format fields of all curves.

Common Y Scale: Clicking this button copies the Y range fields of the selected curve to the range fields of all curves in the same plot group. It determines the common range at run time from the extremes of the individual ranges.

Smith Chart Scale Factor: This specifies the impedance scale factor for Smith charts. For normalized values, use a scale factor of 1.0.

- **Colors, Fonts, and Lines**

Objects: This list box lets you select the object that the other commands (color, font, lines) apply to. These include:

General Text: This is text used for axis scales, titles, cursor tables, and curve name.

Grid: This is the analysis plot grid.

Graph Background: This is the plot background.

Baseline Color: This is baseline color.

Window Background: This is the window background.

Select: This is the color of a selected object.

Select Box: This is the Select mode box.

Tracker: This sets the text and color properties of trackers.

Select Color Primary: This sets the color of the branch that the Go To Branch Left button selects.

Select Color Secondary: This sets the color of the branch that the Go To Branch Right button selects.

Data Point Labels: This sets the text and color properties of data point labels.

Plot All: This sets the curve and scale text color, and the curve width, pattern, data point, and drawing style of all curves simultaneously.

Curve Names: This sets the curve and scale text color, and the curve width, pattern, data point, and drawing style of individual curves.

Curve Line: This group lets you change the color, width, pattern, point and style of the plot lines. The Rainbow option assigns a spectrum of colors to each branch of a stepped curve.

Curve Text: This group lets you change the color of the selected curve name, shown just below the plots

Font: This field lets you change the font of the selected object.

Size: This field lets you change the text size of the selected object.

Effects: This field lets you change text effects of the selected object.

Text style: This field lets you set the text style of the selected item in the Object list. Text styles consist of a font, size, color, style, and effect. Text styles can be assigned to general text, trackers, and data point labels.

Sample: This field shows a sample of the selected object using current text, line, color, width, and pattern properties.

- **Scope:** This controls the Scope options for the circuit.

View: This sets the initial Scope view options, including:

Data Points: This marks calculated points on the plot. All other values are linearly interpolated.

Tokens: This adds tokens to each curve plot. Tokens are small graphic symbols that help identify the curves.

Ruler: This substitutes ruler tick marks for the normal full screen X and Y axis grid lines.

Plus Mark: This replaces continuous grids with "+" marks at the intersection of the X and Y grids.

Horizontal Axis Grids: This adds horizontal grids.

Vertical Axis Grids: This adds vertical grids.

Minor Log Grids: This adds but does not label minor log grids between major grids at the 2, 3, 4...9 positions.

Minor Log Grids 2 5: This adds and labels minor log grids between major grids at the 2 and 5 positions.

Label All Minor Grids: This labels minor grids. It is useful when you have zoomed in on a scale and need labels on the minor grids.

Label Y Minor Grids: This labels vertical minor grids.

Baseline: This adds a zero baseline as a reference.

Horizontal Cursor: In cursor mode (F8), this adds horizontal cursors to complement the two vertical numeric cursors.

Tracker: These options control the display of the cursor, intercept, and mouse trackers, which are little boxes containing the numeric values at the cursor data point, its X and Y intercepts, or the mouse position.

- **FFT:** This panel controls parameters for use in FFT functions.

Upper Time Limit: This specifies the upper time limit for FFT functions. Generally this is set to a multiple of the fundamental period, typically 3-5 periods.

Lower Time Limit: This specifies the lower time limit for FFT functions. Generally this is set to a multiple of the fundamental period to avoid startup transients in the target waveform, typically 2 - 4 periods. The difference between the upper and lower time periods should be 1 period.

Number of Points: This specifies the number of interpolated data points to use for FFT functions. Typically 1024, 2048, or 4096 are nearly always suitable choices.

Auto Scaling: This group controls auto scaling options for FFT functions and includes these options:

Include DC Harmonic: This option includes the DC harmonic when auto scaling is done. Typically it is disabled.

Auto Scale First Harmonics: This number specifies the number of harmonics to include when scaling.

- **Header:** This group controls the header format for text numeric output.

Left: This group lets you add text to the left side of the text output.

Center: This group lets you add text to the center of the text output.

Right: This group lets you add text to the right side of the text output.

In each case the following formats are available:

\$MC	Prints Micro-Cap
\$User	Prints user name
\$Company	Prints company name
\$Analysis	Prints analysis type (Transient, AC, DC)
\$Name	Prints circuit name

You can use these or any other text in the left, center, or right.

Delimiters: This group lets you select the delimiter that will be placed between items in the curve tables of the numeric output. The choices are Tab, Semicolon, Comma, Space, and Other.

• **Numeric Output:** This group lets you choose what to include in the Numeric Output displays and the corresponding output text files.

Check All: This sets the print checkmark for all waveforms.

Clear All: This clears the print checkmark for all waveforms.

Order: This sets the print order, with 1 being first.

Alias: An alias can be used on the column headers instead of the full waveform name.

Curves: This section allows selection of which curves to print and an alternative alias for the curve name.

Show: This section allows selection of the other material to include in the numeric output file.

Include Numeric Output: This enables creation of the numeric output file. The other options control content of the file.

Include Main Header: This prints the main header.

Include Analysis Limits: This adds the analysis limits.


Include Branch Headers: This adds branch headers that identify the item(s) being stepped or the Monte Carlo case number.

Include Model Parameters: This prints model parameters.

Include Zero Parameters: This enables the printing of zero-valued parameters.

Include Undefined Parameters: This prints undefined model parameters using their default values.

Include Operating Point Values: This controls the printing of the operating point data to the file.

Include Waveform Values: This controls waveform printing. The numeric output icon , next to each expression, must be enabled.

Include Waveform Headers: This prints identifying expression text above each numeric column.

Begin Printing At: This specifies the time value at which printing of the waveform values begin.

End Printing At: This specifies the last time value at which waveform printing occurs.

Table Formats: This controls how the numeric output curve / waveform tables will be arranged. *Horizontal* is the conventional format, with column vectors shown horizontally. *Vertical* prints the time column, followed sequentially by single column vectors, one for each output. *Vertical X,Y Alternate* is the same but with an extra analysis variable column inserted between each output vector. Finally *Vertical X,Y Pairs* produces vertically arranged column pairs of the analysis variable and one output.

Horizontal: This option prints values in the usual tabular format:

```
Datapoint1 Expr11 Expr21 ... ExprM1
Datapoint2 Expr12 Expr22 ... ExprM2
...
DatapointN Expr1N Expr2N ... ExprMN
```

Vertical: This option prints curve values as a succession of single vertical columns like this:

```
Datapoint1
Datapoint2
...
DatapointN

Expr11
Expr12
...
Expr1N

Expr21
Expr22
...
Expr2N
```

...
...
...
ExprM1
ExprM2
...
ExprMN

Vertical X, Y Alternate: This option is the same as Vertical except that the Datapoint column is repeated vertically between each ExprIJ column.

Vertical X, Y Pairs: This option prints as follows:

Datapoint1 Expr11
Datapoint2 Expr12
...
DatapointN Expr1N

Datapoint1 Expr21
Datapoint2 Expr22
...
DatapointN Expr2N

Datapoint1 ExprM1
Datapoint2 ExprM2
...
DatapointN ExprMN

- **Save Curves:** This group lets you save one or more curves for later display or use in a User source. It provides these fields:

Curves: This lets you select the curve that the other fields apply to.

Temperature: If the analysis run stepped temperature and produced multiple curves, this field lets you select which to save. This field will be grayed out if temperature was not stepped.

Stepped Variable: If the analysis run stepped a variable and produced multiple curves, this field lets you select which to save. This field will be missing if nothing was stepped.

Save Curve(s): This field is a copy of the selected curve name.

As (New Name): This lets you specify the name to save the curve under. It is the name you later use to select the curve for display or use in a User Source.

Number of Points: This lets you specify the number of data points to calculate by interpolation from the actual curve if the Save Actual Data Points option is disabled.

Save Actual Data Points: If this option is disabled, the curve saved to the file will be calculated by interpolation using *Number of Points* equidistant data points from the actual curve. If this option is enabled, the curve saved to the file will contain the actual simulation data points, which generally will occur at irregular time (or frequency) points.

In File: This lets you specify the file name to save the curve under.

Browse: This command lets you browse directories for the file name you want to save the curve under or to delete the curve from. You can also select the data format file type. Waveform (*.USR) is for User Sources. CSV (Comma Delimited) (*.CSV) is for Excel files.

Save: This command saves the selected curve using the specified curve name and file name. Note that when curves are saved to existing files, they are added to the file. If the curve already exists in the file, it is overwritten. All other curves in the file are unaffected.

Delete: This command lets you delete the specified curve name.

- **Tool Bar:** This page lets you select the buttons that will appear in the local tool bar area below the Main tool bar.

Tool Bar: This list box lets you select local tool bars.

Buttons: This box lets you select the local tool bar buttons.

Show Button: If checked, the button is shown in the analysis tool bar.

Left: This places the tool bar is placed at the left part of the window.

Top: This places the tool bar is placed at the top part of the window.

Right: This places the tool bar is placed at the right part of the window.

Bottom: This places the tool bar is placed at the bottom of the window.

All On: This command places all buttons in the tool bar.

All Off: This command places no buttons in the tool bar.

Default: This command places the default set of buttons in the tool bar.

OK: This button accepts all changes, exits the dialog box, and redraws the analysis plot. Subsequent runs will use the changed properties, and they will be retained in the circuit file, if it is later saved.

Cancel: This button rejects all changes, exits the dialog box, and redraws the analysis plot using the original properties.

Apply: This button displays the analysis plot using the current settings in the dialog box to show how the display would be affected by the changes. The changes are still tentative, until the OK button is clicked.

Help: This button accesses the local help files.

Default Values

Many of the Properties panels have two buttons to allow selection and definition of default values:

Default: This button copies the current set of default parameters/options to the panel, overwriting any changes you have made.

Set Default: This button makes the current set of parameters/options the standard defaults for the panel. This alters the standard defaults for this panel only but it does so for all future uses of the *Default* button and for all newly created circuits as well, so use it carefully.

To restore the original defaults go to:

Options menu / Default Properties for New Circuits

Select the appropriate property panel and click on the Default button. This restores the default values on the F10 Properties panel to the original values.

Cursor mode positioning

The cursor can be positioned in a variety of different and useful ways.

Mouse control

Drag with the left mouse button to control the left cursor, and the right button to control the right cursor. The mouse places the cursor anywhere, even between simulation data points.

Keyboard control

The LEFT ARROW and RIGHT ARROW cursor keys move the *left* cursor and SHIFT + cursor keys move the *right* cursor. The keyboard moves the cursor to one of the simulation data points, depending on the positioning mode.

The positioning mode, chosen with a Tool bar button, affects where the cursor is placed the next time a cursor key is pressed. Cursor positioning picks locations on the selected, or underlined, curve. Curves are selected with the Tab key, or by clicking the Y expression with the mouse.



• **Next Simulation Data Point:** In this mode, pressing the cursor keys finds the next actual data point in the direction of the cursor arrow from the run.



• **Next Interpolated Data Point:** In this mode, pressing the cursor keys finds the next rounded interpolated data point in the direction of the cursor arrow.



• **Peak:** In this mode, pressing the cursor keys finds the next local peak on the selected curve.



• **Valley:** In this mode, pressing the cursor keys finds the next local valley on the selected curve.



• **High:** Clicking this button finds the data point with the largest algebraic value on the current branch of the selected curve.



• **Low:** Clicking this button finds the data point with the smallest algebraic value on the current branch of the selected curve.



• **Inflection:** In this mode, pressing the cursor keys finds the next data point with the largest magnitude of slope, or first derivative, on the selected curve.



• **Top:** Clicking this button finds the data point with the greatest Y value of all branches of the selected curve *at the current X cursor position*.



• **Bottom:** Clicking this button finds the data point with the smallest Y value of all branches of the selected curve *at the current X cursor position*.



• **Global High:** Clicking this button finds the data point with the largest algebraic Y value of all data points on all branches of the selected curve.




• **Global Low:** Clicking this button finds the data point with the smallest algebraic Y value of all data points on all branches of the selected curve.

When Cursor mode is selected, a few initialization events occur. The selected curve is set to the first, or top curve. The Next mode is enabled. Clicking on a mode button not only changes the mode, it also moves the last cursor in the last direction. The last cursor is set to the left cursor and the last direction is set to the right. The left cursor is placed at the left on the first data point. The right cursor is placed at the right on the last data point.

Waveform Buffer

The Waveform Buffer provides a storage facility for curves and waveforms. It can store a plotted curve from AC, DC, Transient, or Distortion analysis.

There are several ways to save curves. You can use **Retain** or **Save a Waveform to the Buffer** from **Scope / Waveform Buffer** or from the Waveform Buffer tool bar button . **Save a Waveform to the Buffer** saves a plotted curve to the buffer. **Retain** saves the curve and adds a plot of the saved curve to the analysis limits. **Retain** is also available from a right-click on the expression text in the plot.

To see what is in the buffer, invoke the Waveform Buffer dialog box from the Scope menu or with **CTRL + SHIFT + B**. It typically looks like this:

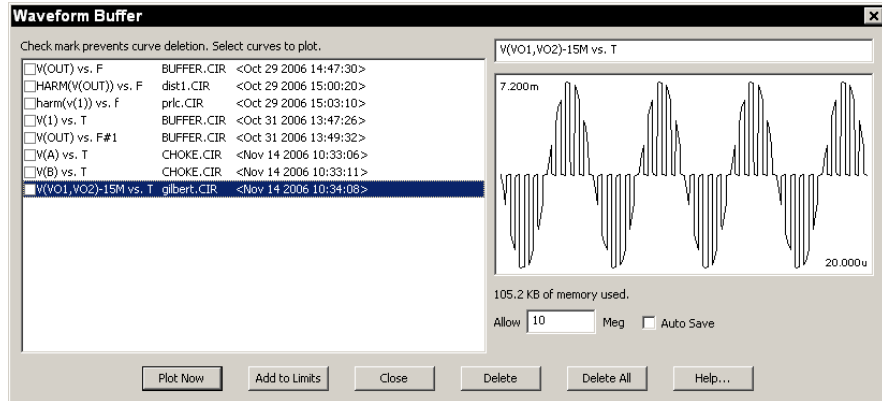


Figure 14-2 The Waveform Buffer dialog box

The list shows the waveform names, the circuit from which they came, and the date and time when they were saved. A check box adjacent to the name protects the curve from deletion under Auto Save mode. The plot on the right shows the selected waveform. The buttons at the bottom function as follows:

- **Plot Now:** This adds the selected plot to the analysis limits and redraws the analysis plot.
- **Add to Limits:** This adds the selected plot to the analysis limits but does not redraw the plot.

- **Close:** This closes the dialog box.
- **Delete:** This deletes the selected waveforms. The Delete key also works.
- **Delete All:** This deletes all waveforms.
- **Help:** This accesses the Help page for the dialog box.

The Auto Save check box, if enabled, automatically saves all waveforms and curves until the user-set memory limit is reached. Curves are then deleted as needed starting with the oldest. If a curve is checked, it is protected from deletion. The Allow field contains the user-set memory limit in Megabytes.

What's in this chapter

This chapter describes the use of Probe. Probe is a display tool for transient, AC, and DC analysis. When one of the Probe options is selected and an analysis is subsequently run, the simulation results are saved to disk. Probe then lets the user review the results by probing the schematic with the mouse.

Features new in Micro-Cap 9

- You can now edit the schematic while in Probe mode.
- Drill down probing lets you visually probe macro schematics or subcircuits to any level.
- FFT, Performance, and 3D Windows are now available in Probe.
- CTRL + SPACEBAR cycles through the available probe modes.
- The All mode lists all available variables for the component clicked on.

How Probe works

Probe is another way to view simulation results. It lets you point to a location in a schematic and see one or more curves associated with the node or component at that point. It functions exactly like a normal simulation, but accesses all of the variables for each solution point from a disk file. When you first invoke Probe, the program determines if there is an up-to-date simulation file in the working data directory. If not, it runs the analysis and creates the simulation file. When you click on the schematic, Probe determines where the mouse pointer is, extracts from the file the appropriate variable for both the vertical and horizontal axes, and plots the resulting curve.

The simulation or analysis run is conducted according to the values set in the Analysis Limits dialog box. For example, in transient analysis, one of the important values is Time Range, which determines how long the analysis will run. To edit this or any other value, press F9 to access the dialog box. This will present an abbreviated version of the standard dialog box. You can edit the fields as needed. Press F2 to rerun the analysis, prior to probing.

Plots are constructed using the properties from **Options / Default Properties for New Circuits / Analysis Plots**. Numeric scales and Cursor mode values are formatted using the **Scales and Formats** settings. Plot text, line properties, and colors are taken from the **Colors, Fonts, and Lines** settings. Tool bar choices are taken from the **Tool Bar** settings.

You can temporarily change plot properties from the Properties dialog box (F10). These changes are used during the current Probe session and are discarded after exiting Probe. Subsequent invocations of Probe will start again with the settings from **Options / Default Properties for New Circuits / Analysis Plots**.

Probe menu

- **Run (F2):** This option forces a new run. Probe automatically does a new run when the time of the last saved run is earlier than the time of the last edit to the schematic. However, if you have changed RELTOL or other Global Settings value or option that can affect a simulation run, you may want to force a new run using the new value.
- **Limits (F9):** This lets you edit the analysis limits for the run.
- **Stepping: (F11)** This accesses the Stepping dialog box.
- **Operating Point Methods (CTRL + SHIFT + O):** This lets you select the operating point method to be used and the order in which each is tried.
- **Reduce Data Points:** This invokes the Data Point Reduction dialog box. It lets you delete every n'th data point.
- **Add Curve:** This option lets you add a plot defined by a literal expression using any circuit variable. For example you might enter $VCE(Q1)*IC(Q1)$ to plot a transistor's collector power.
- **Delete Curves:** This option lets you selectively remove curves.
- **Delete All Curves: (CTRL + F9)** This removes all curves from the plot.
- **Separate Analog and Digital:** This puts analog and digital curves in separate plot groups, overriding the P setting.
- **One Curve:** In this mode, only one curve is plotted. Each time the schematic is probed, the old curve is replaced with the new one. *You can also add more than one trace with this mode by holding the CTRL key down while clicking on an object. This adds the curve if not already plotted or deletes it if it is already plotted.*
- **Many Curves:** In this mode, new curves do not replace old ones, so many curves are plotted together using one or more vertical scales.
- **Save All:** This option forces Probe to save all variables. Use it only if you need to display charge, flux, capacitance, inductance, B field, or H field.

- **Save V and I Only:** This option saves space and lowers access time by saving only time, frequency, digital states, voltage, and current variables. It discards the remainder, including charge, flux, capacitance, inductance, resistance, power, and magnetic field values.
- **3D Windows:** This option appears if more than one stepped run is available to create a 3D plot.
- **Performance Windows:** This option appears if more than one stepped run is available to create a performance plot.
- **FFT Windows:** This option lets you add, delete, or show FFT windows.
- **Slider:** This invokes the Slider dialog box which lets you add a slider control and attach it to any component value or model parameter.
- **Plot Group:** This lets you pick the plot group to place the next curve in.
- **Exit Probe:** This exits Probe. F3 also works.

Transient analysis variables

The **Vertical** menu selects the vertical variable and the **Horizontal** menu selects the horizontal variable. When the user clicks the mouse in a schematic, Probe determines whether the object at the mouse tip is a node or a component and whether it is analog or digital.

If the object is a digital node, Probe plots the state curve of the node.

If Macro Drill Down is enabled and the object is an analog macro or subcircuit, Probe shows the schematic or SPICE netlist and you probe it in the usual way.

If Macro Drill Down is disabled and the object is a macro or subcircuit, Probe lists the internal variables which you can select by clicking on the variable name. After clicking on the OK button, Probe plots the selected curve.

If the object is either an analog node or analog component (other than a macro or a subcircuit), Probe extracts the vertical and horizontal variables specified by these menus and uses them to plot the analog curve.

In Save All mode: You can cycle through the available measurement modes (V, I, E, P, R, Q, C, X, L, B, H) with CTRL + SPACEBAR key.

In Save V and I Only mode: You can toggle between voltage and current modes by pressing the CTRL + SPACEBAR key.

- **All:** This lists all available variables for the component clicked on.
- **Voltage:** If the mouse probes on a node, a node voltage is selected. If the mouse probes on the shape of a two-lead component, the voltage across the component is selected. If the mouse probes between two leads of a three or four lead active device, the lead-to-lead difference voltage is selected.

Click on two nodes while holding the SHIFT key down and you'll get the differential voltage across the two nodes.

- **Current:** If the mouse probes on the shape of a two-lead component, the current through the component is selected. If the mouse probes on a lead of a three or four lead active device, the current into the lead is selected.
- **Energy:** If the mouse probes on a component, it plots the energy dissipated

(ED), generated (EG), or stored (ES) in that component. If the part has more than one of these, a list appears allowing selection. Clicking in the schematic background selects one of the total energy terms, EGT (total generated energy), EST (total stored energy), or EDT (total dissipated energy).

- **Power:** If the mouse probes on a part, it plots the power dissipated (PD), generated (PG), or stored (PS) in that component. If the part has more than one of these, a list appears allowing selection. Clicking in the schematic background selects one of the total power terms, PGT (total generated power), PST (total stored power), or PDT (total dissipated power).

- **Resistance:** If the mouse clicks on a resistor, this selects the resistance.

- **Charge:** If the mouse clicks on a capacitor, this selects its charge. If the probe occurs between the leads of a semiconductor device, this selects the charge of the internal capacitor between the two leads, if any. For example, a click between the base and emitter of an NPN selects the CBE charge stored in the diffusion and junction capacitance.

- **Capacitance:** If you click on a capacitor, this selects its capacitance. If the probe occurs between the leads of a semiconductor device, this selects the capacitance of the internal capacitor between the two leads, if any. For example, a click between the base and emitter of an NPN selects the diffusion and junction capacitance of the base-emitter region.

- **Flux:** If the mouse clicks on an inductor, this selects the flux.

- **Inductance:** If the mouse clicks on an inductor, this selects its inductance.

- **B Field:** If the mouse clicks on an inductor which is referenced in a K (coupling) device with a nonlinear core model specified, this selects the B field of the core.

- **H Field:** If the mouse clicks on an inductor which is referenced in a K (coupling) device with a nonlinear core model specified, this selects the H field of the core.

- **Time:** This selects the transient analysis simulation time variable.

- **Linear:** This selects a linear scale.

- **Log:** This selects a log scale.

AC analysis variables

Only analog variables and operators are available in AC analysis. Here are the available variables:

- **All:** This lists all available variables for the component clicked on.
- **Voltage:** If the object is a node, a complex node voltage is selected. If the object is a two-lead component, the complex voltage across the component is selected. If the mouse probes between two leads of a three or four lead active device, the lead-to-lead differential complex voltage is selected. Hold the Shift key down and probe on two nodes to get differential voltage.
- **Current:** If the object is a two-lead component, the complex current through the component is selected. If the mouse probes on a lead of a three or four lead active device, the complex current into the lead is selected.
- **Power:** If the mouse probes on a component, it plots the AC power dissipated (PD), generated (PG), or stored (PS) in that component. If the component has more than one of these, a list appears allowing selection. Clicking off a component, in the schematic background, lets you select one of the total power terms, PGT (total generated power), PST (total stored power), or PDT (total dissipated power).
- **Conductance:** This plots the complex conductance for two-terminal parts.
- **Impedance:** This plots the complex impedance for two-terminal parts, such as resistors, capacitors, inductors, diodes, and sources. Clicking on an AC source driving a network plots the network's complex input impedance. Clicking on a passive element like a capacitor plots its complex impedance. If the capacitor uses a MODEL attribute and has parasitic elements, these are also included in the impedance.
- **Noise:** This selects a plot of noise, regardless of where the mouse is clicked. Inoise is referenced to the input source specified in the Noise Input field of the Analysis Limits dialog box (F9).
- **Onoise:** This selects a plot of noise, regardless of where the mouse is clicked. Onoise is referenced to the output node name specified in the Noise Output field of the Analysis Limits dialog box (F9).

- **Frequency:** This selects the sweep frequency variable.
- **Magnitude:** This plots the magnitude of the probe variable.
- **Magnitude(dB):** This plots the decibel magnitude of the probe variable. It is the default operator.
- **Phase:** This plots the phase of the probe variable.
- **Group Delay:** This plots the group delay of the probe variable.
- **Real Part:** This plots the real part of the probe variable.
- **Imag Part:** This plots the imaginary part of the probe variable.
- **Linear:** This selects a linear scale.
- **Log:** This selects a log scale.

DC analysis variables

Both analog and digital variables are available in DC analysis. They include:

- **All:** This lists all available variables for the component clicked on.
- **Voltage:** If the mouse probes on a digital node, the digital state of the node is selected. If the mouse probes on an analog node, its node voltage is selected. If the mouse probes on the shape of a two-lead component, the voltage across the component is selected. If the mouse probes between two leads of a three or four lead active device, the lead-to-lead differential voltage is selected. Hold the Shift key down and probe on two nodes to get the differential voltage.
- **Current:** If the mouse probes on a digital node, the digital state of the node is selected. If the mouse probes on the shape of a two-lead component, the current through the component is selected. If the mouse probes on a lead of a three or four lead active device, the current into the lead is selected.
- **Power:** If the mouse probes on a component, it plots the power dissipated (PD) or generated (PG) in that component. If the component has more than one of these, a list appears allowing selection. Clicking off a component, in the schematic background, lets you select one of the total power terms, PGT (total generated power) or PDT (total dissipated power). Since PST (total stored power) is zero in DC analysis, PGT will always equal PDT because of the general relationship between power variables:

$$PGT = PST + PDT$$

- **Linear:** This selects a linear scale.
- **Log:** This selects a log scale.

The default horizontal variable is the value of the specified Variable 1 of the DC Analysis Limits dialog box. For example, if the source is a voltage source, the horizontal value is the voltage across the source, or if the source is a current source, the horizontal value is the current through the source.

This default can be changed through the Plot item in the Properties dialog box. The Properties dialog box is invoked by clicking in the Probe plot, then pressing F10. A plot must be present before an X variable change can be made.

Probe analog variables

The Horizontal and Vertical menus are used to select the curve variables and operators which will be displayed by Probe. The curves displayed for each variable or operator are dependent upon the component selected. The variables and operators are shown in the following tables.

Component Variables							
Component	Voltage	Current	Capacitance / Inductance	Charge / Flux	Energy / Power Generated	Energy / Power Stored	Energy / Power Dissipated
Sources	V	I	NA	NA	EG / PG	NA	NA
Resistor	V	I	NA	NA	NA	NA	ED / PD
Capacitor	V	I	C	Q	NA	ES / PS	NA
Inductor	V	I	L	X	NA	ES / PS	NA
Diode	V	I	C	Q	NA	ES / PS	ED / PD
Transmission Line	VAP, VAM, VBP VBM	IAP, IAM IBP, IBM	NA	NA	NA	NA	NA
BJT	VB, VC, VE VBE, VBC, VEB VEC, VCB, VCE	IB, IE, IC	CBE, CBC	QBE, QBC	NA	ES / PS	ED / PD
BJT4	VB, VC, VE, VS VBE, VBC, VBS VEB, VEC, VES VCB, VCE, VCS VSB, VSE, VSC	IB, IE, IC IS	CBE, CBC CCS	QBE, QBC QCS	NA	ES / PS	ED / PD
MOSFET: LEV 1-3	VG, VS, VD, VB VGS, VGD, VGB VDS, VDG, VDB VSG, VSD, VSB VVG, VVD, VVS	IG, IS, ID IB	CGS, CGD CGB, CBD CBS	QGS, QGD QGB, QBD QBS	NA	ES / PS	ED / PD
MOSFET:LEV 4,5,8 49,14,44	VG, VS, VD, VB VGS, VGD, VGB VDS, VDG, VDB VSG, VSD, VSB VVG, VVD, VVS	IG, IS, ID IB	NA	NA	NA	NA	NA
OPAMP	VP, VM, VOUT VPM, VCC, VEE	NA	NA	NA	NA	NA	NA
JFET	VG, VD, VS VGS, VGD, VSG VSD, VDG, VDS	IG, ID, IS	CGS, CGD	QGS, QGD	NA	ES / PS	ED / PD
GaAsFET	VG, VD, VS VGS, VGD, VSG VSD, VDG, VDS	IG, ID, IS	CGS, CGD	QGS, QGD	NA	ES / PS	ED / PD

Variables that are mere permutations of the leads are not shown. For example CGS and CSG produce the same plot.

Table 15-1 General syntax for Probe variables

Resistance is available only for resistors. Inductance, B field, and H field are available only for inductors.

Probe regions

When probing for node voltages or digital states, you click the mouse on one of the round dots shown on the node, or on any portion of any wire connecting to a node. If there is more than one dot on a node, it doesn't matter which you pick.

Probe can plot many internal device variables. For example, the internal charge and capacitance of a MOSFET (Level 1-3 only) can be accessed. The probe regions for devices with three or more pins are more complicated than for nodes and other devices. For example, the variable selected for a transistor is determined by the nearest device pin line segment. These line segments are illustrated below for the case of a MOSFET. When the mouse is clicked near a device, the distance from each line segment to the point where the mouse is clicked is determined. The closest line segment determines the two leads. The Vertical and Horizontal menu choices determine the variable type.

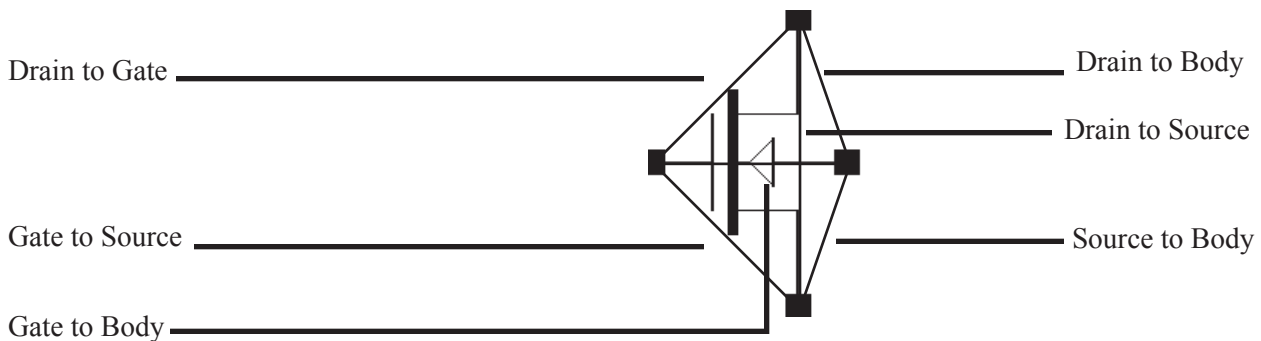







Figure 15-1 MOSFET line segment diagram

Probing a SPICE file

You can also probe SPICE files. Clicking on two-terminal devices like sources, resistors, and diodes plots the voltage across or current through the device, depending upon whether the Vertical option is set to Voltage or Current. Clicking on three-terminal devices, presents a dialog box where you can select the desired voltage or current variable. Clicking on a node number plots the node voltage.

Editing the schematic in Probe


You can also edit the schematic while in Probe mode. To do this a new Probe mode  is available to distinguish mouse editing from mouse probing.

Select , Component , Text , Wire , and other modes are used for editing. Probe mode  is used to probe the schematic for waveforms or curves.

SPACEBAR rapidly toggles between the current Edit mode and Probe mode.

Probing macros and subcircuits

In earlier versions, a click on a macro or subcircuit symbol brought up a dialog box from which you could select from a fairly complex list of variables. Now a click on a macro or subcircuit symbol drills down one level and displays the next level schematic (for a macro) or netlist (for a subcircuit). From here you can probe in the usual way.

Clicking on a macro or subcircuit goes down one level. To go up a level (towards the main schematic) click on the Up button  or press ALT + Up Arrow. You can also use the same command from **Scope / Go Up a Level**.

This feature can be enabled or disabled from **Preferences / Options / Analysis / Macro Drill Down**.

What's in this chapter

Stepping is the process of varying a parameter value to see its effect on circuit behavior. Transient, AC, DC, Distortion, Dynamic AC, and Dynamic DC analysis all provide the capability of stepping parameter values.

This feature cannot be used simultaneously with Monte Carlo analysis. If both are enabled, MC9 will enable the last one turned on by the user, and disable the other.

Stepped waveforms are plotted on the same graph. To distinguish one from the other, use Cursor mode and the UP CURSOR ARROW and DOWN CURSOR ARROW keys to switch between branches. As the cursor keys change the selected branch (step value) of the waveform, the window title changes showing the value of the stepped parameter(s). You can also label the individual branches and use the mouse or the Go to Branch feature to select individual branches.

Features new in Micro-Cap 9

- Tabs of enabled stepping panels are checked-marked so it is easier to see what is active.
- The part names in the dialog box have been reordered so the order is R1, R2, R3 R10 rather than R1, R10, R2....

How stepping works

Stepping systematically alters the value of one or more parameters of one or more components and then runs the analysis, drawing multiple branches for each curve. Earlier versions of the program placed restrictions on changing some variables, such as the model level and parasitic resistances. Most parameter types can now be stepped, including attribute parameters like the resistance of a resistor, model parameters like a transistor beta, and symbolic parameters created with a .define or a .param command. If the parameter changes the equation matrix, MC9 simply recreates the equations. For each parameter set, a run is made and the specified waveforms plotted. With parameter stepping, performance plots show performance function dependence on one parameter, while 3D plots can show dependence on two parameters.

What can be stepped?

There are three basic types of variables that can be stepped:

- Attribute parameters
- Model parameters
- Symbolic parameters (those created with a .DEFINE statement)

Some components such as the simple dependent sources, IOFI, IOFV, VOFI, and VOFV, are characterized by a single attribute parameter called 'VALUE'. In this type of component, this is the only parameter that can be stepped.

Some components have only model parameters, and these are the only parameters that can be stepped.

Some components have both attribute and model parameters and both types of parameters can be stepped.

Symbolic parameters used in model statement parameters or attributes can be stepped.

Using a symbolic variable, you can also step text using the list option. This is handy for changing models, stimulus files, or other text-based parameters.

The Stepping dialog box

Parameter stepping is controlled by the Stepping dialog box. It looks like this:

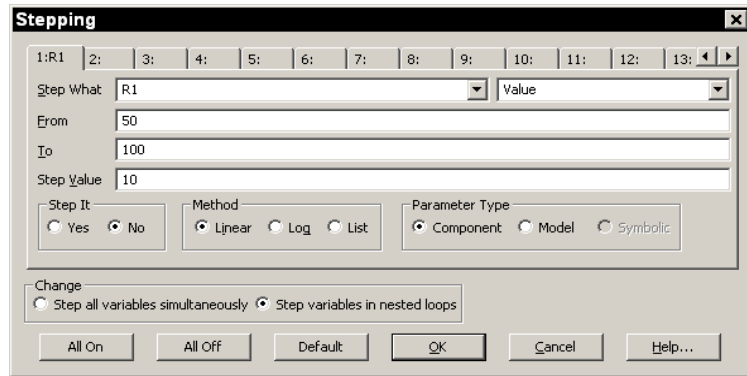


Figure 16-1 The Stepping dialog box

The dialog box is divided into several areas:

- **Parameter Panels**

The dialog box provides tabs for up to twenty parameters, although five is a practical maximum. Each tab accesses a panel which controls a single parameter. Stepping for each parameter is enabled when its Step It option is set to Yes. A check mark in the panel tab shows which parameters are enabled for stepping.

- **Step It:** Set this option to Yes to enable stepping for the parameter.

- **Step What**

The left Step What list box in each parameter panel specifies the name of the model parameter, component, or symbolic variable value to be stepped. Since dissimilar parts may share the same model name, the electrical definition is shown along with the name. Clicking on the list box displays a list of the items available for stepping. To select one, click on it. The right Step What list box in each panel specifies the name of the parameter to be stepped. Clicking on the list box displays a list of the available parameters. To select a parameter, click on it.

- **From:** This field specifies the starting value of the parameter.
- **To:** This field specifies the ending value of the parameter.

- **Step Value:** This field specifies the step value of the parameter.
- **Method:** The Method option in each panel controls how the Step Value affects the parameter value.
 - **Linear:** Linear stepping *adds* the Step Value.
 - **Log:** Log stepping *multiplies* by the Step Value.
 - **List:** List stepping lets you enter a comma-delimited set of specific values in the From field.
- **Parameter Type:** This option in each panel specifies whether the Step What field refers to a model, component, or symbolic name.
 - **Component:** This is used for passive parameter values, as for example, the resistance of a resistor.
 - **Model:** This is used for model parameters, as for example, the BF of a BJT, or a delay parameter for a digital device.
 - **Symbolic:** Symbols are variables created with a .DEFINE or a .PARAM statement. They can be used in component value parameters or in model parameters. Stepping them is a powerful way of controlling many parameter values. For example, you can control the W and L of many MOSFET devices with this:

```
.DEFINE W1 2U
.DEFINE L1 0.3U
```

```
.MODEL NM1 NMOS (W=W1 L=L1...)
```

This lets you selectively step only the W and L of the devices that use the symbols W1 and L1.

You can step either an individual instance or all instances of a model parameter. In Component mode, stepping affects one parameter of one device only if the PRIVATEANALOG and PRIVATEDIGITAL options (Global Settings) are enabled. In Model mode, stepping affects the parameter in all devices that use the model name regardless of the state of the PRIVATEANALOG or PRIVATEDIGITAL flags.

• **Change:** The Change option only comes into play if you are stepping multiple parameters. It controls whether the parameter changes are to be nested or simultaneous.

• **Step all variables simultaneously:** In this type of change, all parameters change value simultaneously, so you get a small set of matched parameter values.

• **Step variables in nested loops:** In this type of change, each parameter changes independently, so you get all combinations of the specified values.

For example, suppose you step L1 through the values 1u and 2u and you step C1 from 1n to 2n. Simultaneous stepping, will produce two runs, and nested stepping will produce four runs as shown below.

<u>Nested</u>	<u>Simultaneous</u>
L1=1u C1=1n	L1=1u C1=1n
L1=1u C1=2n	L1=2u C1=2n
L1=2u C1=1n	
L1=2u C1=2n	

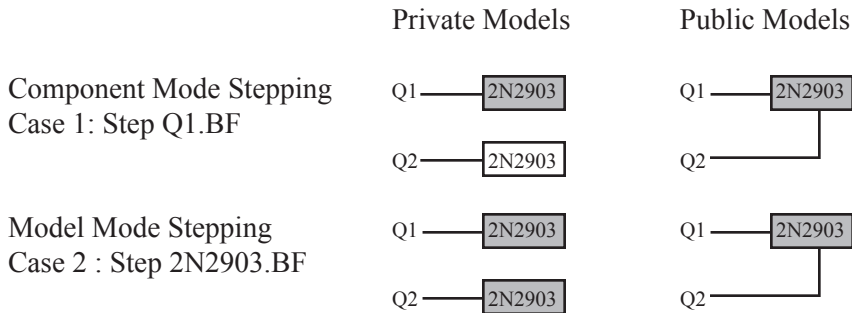
Simultaneous stepping requires an equal number of steps for each parameter. If the parameter panels specify different numbers of steps, an error message will be issued. Use nested stepping when you want all combinations of parameter variation. Use simultaneous stepping when you want only specific combinations.

- **All On:** This button turns on the Step It flag for all active panels.
- **All Off:** This button turns off the Step It flag for all active panels.
- **Default:** This button creates a set of step values ranging from 1/2 to twice the nominal parameter value.
- **OK:** This button accepts the changes made and exits the dialog box.
- **Cancel:** This button ignores any changes and exits the dialog box.
- **Help:** This button accesses the Help system.

Public vs. private libraries

To illustrate the stepping possibilities with the four combinations of public or private libraries and component or model stepping, imagine a circuit with two transistors, each having a MODEL attribute of "2N2903".

This circuit uses two transistors with component names Q1 and Q2. They both use the 2N2903 model. This diagram illustrates the four possibilities.



The shaded models are changed by stepping. In case 1, we are stepping Q1.BF. In this case we step the model that Q1 points to. When the libraries are private, then the model pointed to by Q1 would be stepped and that pointed to by Q2 would not be stepped. They point to distinct model locations, even though they use the same model name. When the libraries are public, stepping the model pointed to by Q1 also steps the model pointed to by Q2 since they point to the same model location.

In case 2, we are stepping 2N2903.BF. In this case we step all of the instances of the 2N2903 model. It doesn't matter whether models are private or public, since all instances of the model are changed.

Only component stepping and private libraries selectively step individual instances of model parameters. All other cases step all instances of model parameters.

Stepping summary

The most important things to remember when using stepping include:

1. The parameters of these components may not be stepped:
 - Transformer
 - User sources
 - Laplace sources
 - Function sources
 - SPICE dependent sources (E,F,G,H sources)
 - Old switches (S and W switch parameters can be stepped)

The behavior of User, Laplace, Function, and SPICE sources are embodied in algebraic formulas and numeric tables, and thus have no parameters to be stepped. You can step symbolic parameters which are used in Laplace, Function, and SPICE source expressions. For example, you could use

```
.DEFINE TAU 5
```

A Laplace function source whose LAPLACE attribute is:

```
1/(1+TAU*S)
```

could then be changed by stepping TAU.

Similarly in a Laplace table source like

```
.DEFINE RVAL 2.0
```

```
.DEFINE TAB (1k,0,RVAL)
```

you could change the behavior of the source by stepping RVAL.

The User source gets its data from an external data file and has no parameter that can be stepped.

2. In Component mode, stepping affects one parameter of one device only if the PRIVATEANALOG and PRIVATEDIGITAL options (Global Settings) are enabled. In Model mode, stepping affects one parameter of all devices that use that model name. Thus you are potentially affecting many devices.

This is true regardless of the state of the PRIVATEANALOG or PRIVATEDIGITAL flags. In model stepping, AKO models track stepped parameters in the parent model and all of the temperature model parameters are available for stepping.

3. The MOSFET Level model parameter may be stepped, but an error will occur if the model has been created with parameters for level 1, 2, or 3 and the level changes to a BSIM model (Level 4, 5, 8, 14, 49), EKV model level (Level 44), or Philips level. BSIM, EKV and Philips parameter names are significantly different from levels 1-3.

4. Linear stepping starts with the From value and adds the Step Value until it reaches the To value. Log stepping starts with the From value and then multiplies by the Step Value until it reaches the To value. A Step Value of 2 is often convenient and is called octave stepping. A Step Value of 10 is sometimes referred to as decade stepping. List stepping simply uses the values specified in the From field.

5. If multiple parameters are to be *simultaneously* stepped, they must each specify the same number of steps. If there is a mismatch, an error message is generated.

6. At least two parameters must be varied to create 3D plots where a performance function is chosen for the Y axis.

7. Stepping a resistor, capacitor, or inductor that uses an expression for its value, replaces the value calculated from the expression with the step value. In other words, the step value takes precedence over the calculated value.

What's in this chapter

The optimizer included with MC9 uses a variation of the Powell direction-set method for optimization. It is a robust technique that works well for the kinds of optimization problems found in circuit design.

The chapter is organized as follows:

- How the optimizer works
- The Optimize dialog box
- Optimizing low frequency gain
- Optimizing matching networks
- Curve fitting with the optimizer

How the optimizer works

The optimizer systematically changes user-specified parameters to maximize, minimize, or equate a chosen performance function, while keeping the parameters within prescribed limits and conforming to any specified constraints.

It works in any analysis mode, letting you optimize distortion, transient, AC small-signal or DC characteristics. Anything that can be measured in any analysis mode by any performance function can be maximized, minimized, or equated. Equating is the process of matching specified points on a curve. A typical application would be trying to match points on a Bode plot gain curve.

To see how optimization works, load the circuit OPT1.CIR. It looks like this:

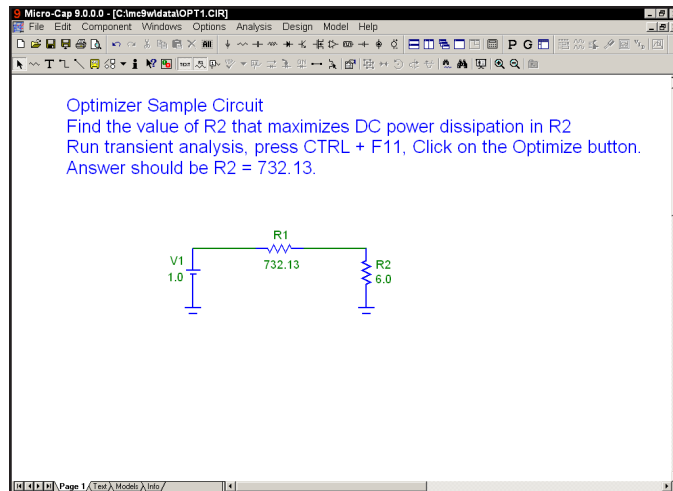


Figure 17-1 The OPT1 circuit

This circuit delivers power to a 6.0 ohm load from a 1.0 volt battery through a 732.13 ohm source resistance. We'll use the optimizer to find the value of R2 that maximizes its power.

The Optimize dialog box

Run transient analysis and select **Transient / Optimize** or press CTRL + F11. This loads the Optimize dialog box, which looks like this.

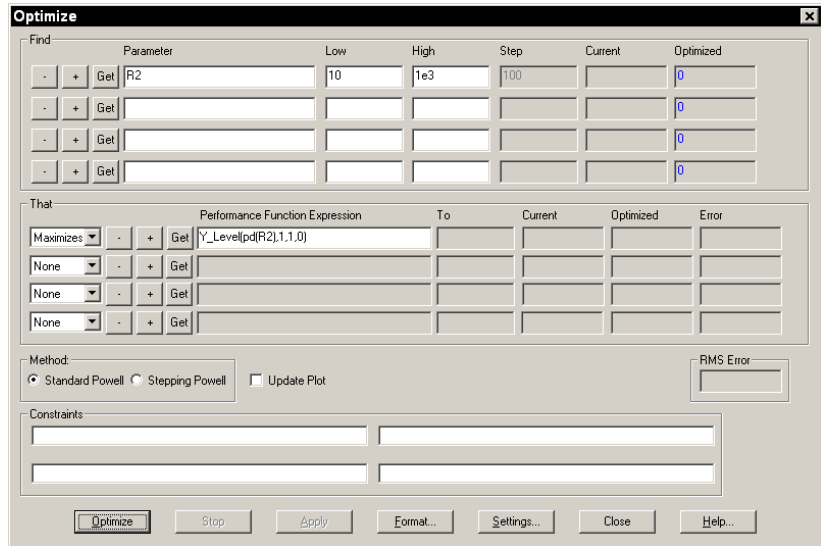


Figure 17-2 The Optimizer dialog box

The syntax of the optimization process is:

Find {Parameter value}
That {Maximizes, minimizes, equates} {Performance function} To {Value}
Using {Standard Powell or Stepping Powell Method}
While {Boolean Constraints}

The user supplies the items in braces {}.

The dialog box offers these options:

Find:

Parameter: This is where you select the parameter to be optimized. Click on the Get button to select a parameter. The choice of parameters is the same as in the Stepping dialog box.

Low: This is the lower limit of the parameter value.

High: This is the upper limit of the parameter value.

Step: This is the amount by which the Stepping Powell method will step the parameter value between local optimizations.

Current: The current value of the parameter is displayed here during the optimization process.

Optimized: The most optimal value of the parameter found so far is displayed here during the optimization process.

That:

Maximizes, Minimizes, Equates, list box: This is where you select an optimizing criteria. You can maximize or minimize the chosen performance function. You can also match a curve by using the equate option together with the Y-Level performance function.

-: This removes the optimizing criterion for the current row.

+: This adds a new optimizing criterion at the end of the list. You can have multiple maximize or minimize criteria, or multiple equate criteria, but you cannot mix maximize / minimize criteria with equate criteria. Each criterion carries equal weight.

Get: This selects the performance function and its parameters.

To: The optimizer will try to match the selected performance function to this value if equate is selected. If Y_Level is used, the optimizer tries to match the Y expression value to the value in this field.

Current: The current value of the performance function is displayed here during the optimization process.

Optimized: The most optimal value of the performance function found so far is displayed here during the optimization process.

Error: This shows the error for the row criteria in Equate optimizations only.

Method:

Standard Powell: This is the Powell direction-set, the preferred method.

Stepping Powell: This method steps the parameters from *Low* to *High* using

steps of *Step*. At each step, the standard Powell method is used to find the local optimum. If the local optimum is better than the current best value, it is retained, and the next step is taken. This is the method to use where you want to get the best of many local optima. It is also the slowest since the optimizer does N standard Powell optimizations, where

N = number of steps for parameter 1 *
number of steps for parameter 2 *
...
number of steps for last parameter

N can be very large so use this method judiciously.

This method is generally only used on intractable functions that have many local maxima or minima.

Update Plot:

This option updates the plot for each optimization value to show progress towards the optimization goal.

RMS Error:

For equate optimizations, this shows the RMS error (square root of the sum of the squares of the differences between the target and actual values).

Constraints:

There are four fields for constraints. Each constraint is entered as a Boolean statement. Here are some examples.

PD(R1)<=100m
V(OUT)>=1.2
VCE(Q1)*IC(Q1)<=200m

The buttons at the bottom of the dialog box give these options:

Optimize:

Starts the optimizer.

Stop:

Stops the optimizer.

Apply:

Modifies the circuit by changing its parameters to the optimized values.

Format:

Lets you choose the numeric format of the displayed values.

Settings:

Maximum Relative Per-iteration Change: If the relative difference in the RMS error function from one iteration to the next drops below this value, the optimization will stop. This value is typically 1u to 1m.

Maximum Percentage Change: If the actual percentage error of the RMS error function drops below this value, optimization will stop. This value is typically 0.1 to 5.0.

Initial Range Factor: This factor is used to create initial values for the Low and High fields of the parameters being optimized. The Low value is set to Nominal Value / Initial Range Factor. The High value is set to Nominal Value * Initial Range Factor. These are only suggested limits and can be changed by the user.

Close:

Quits the optimizer.

Help:

This accesses local help information for the Optimizer dialog box.

The settings for the OPT1 circuit determine the value of the resistor R2 that maximizes the power dissipated in R2. It finds the value of R2 that maximizes:

$$Y_Level(PD(R2),1,1,0)$$

PD(R2) is the power dissipated in resistor R2.

Y_Level(PD(R2),1,1,0) is the Y expression value of the curve PD(R2) at the X expression (T) value of 0, which is the DC operating point value.

Click on the Optimize button. After a few seconds the optimizer finishes and presents the optimal value of R2 = 732.13 ohms.

We could have guessed this value from the simplicity of the circuit. Maximum real power is delivered when the load impedance equals the conjugate of the source impedance. In this case maximum power is delivered when R1 and R2 are the same value, 732.13 ohms.

Optimizing low frequency gain

Load the circuit file OPT2. It looks like this:

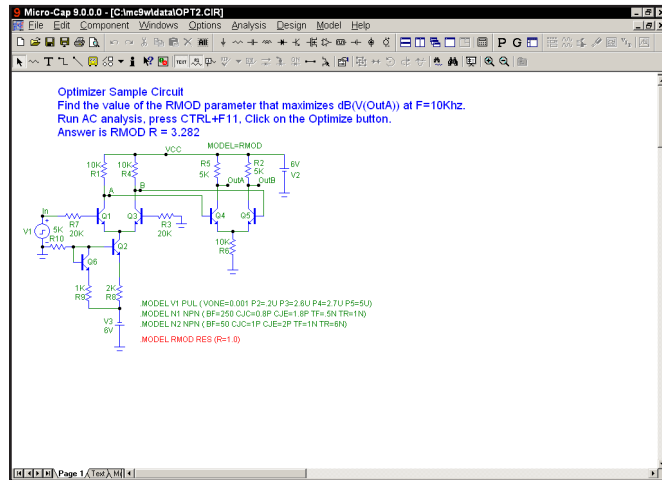


Figure 17-3 The OPT2 circuit

Select AC analysis and press F2. Press F8. Note that the gain at F=10KHz is about 55.6 dB. The standard run looks like this:

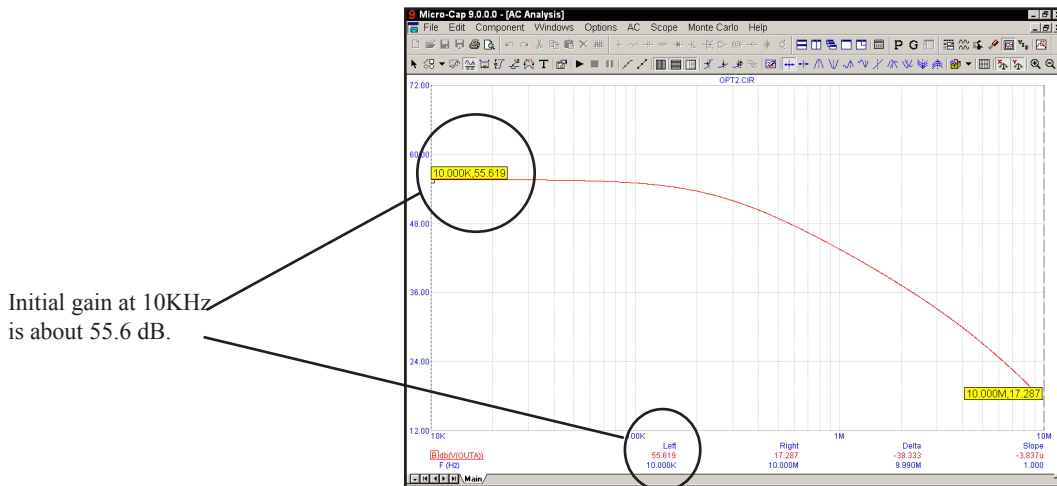


Figure 17-4 AC analysis before optimization

Select **AC / Optimize** or press CTRL + F11. This loads the Optimize dialog box for AC analysis. It looks like this:

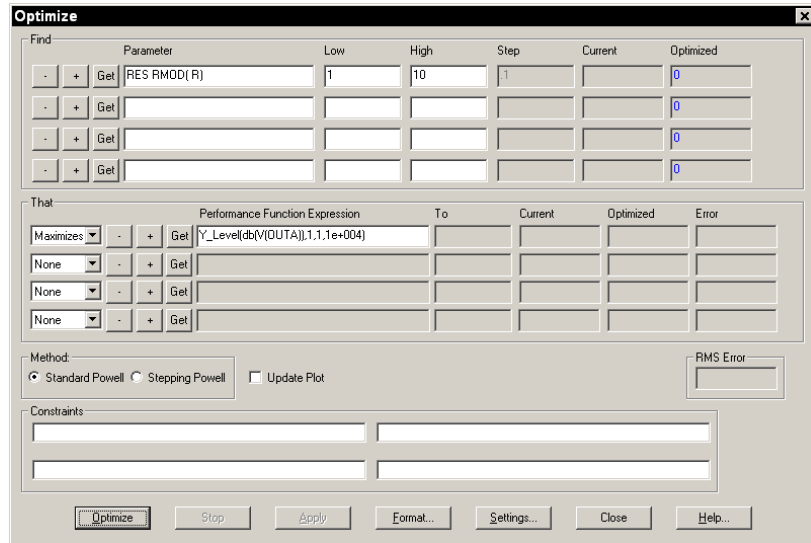


Figure 17-5 The Optimizer dialog box for OPT2

These settings for the OPT2 circuit determine the value of the model parameter R in the resistor model RMOD that maximizes the 10KHz gain of the circuit. RMOD is the model used by the two 5K load resistors R2 and R5. These settings for the optimizer find the following:

The value of RES RMOD(R) that maximizes:

$$Y_Level(db(V(OUTA)),1,1,1e+004)$$

db(V(OUTA)) is the dB value of the output voltage of the diffamp circuit.

Y_Level(db(V(OUTA)),1,1,1e+004) is the value of the curve db(V(OUTA)) at the X expression (F) value of 1E4, which is the lowest frequency in the AC analysis run.

Click on the Optimize button. After a few seconds the optimizer finds the optimal value of R = 3.282. Since R multiplies the nominal resistance, this means that the value of the load resistors R2 and R5 that maximizes db(V(OUTA)) is:

$$3.282 * 5k = 16.4K$$

We used Standard Powell here. Most circuit optimization problems have simple local minima like this and are best served with this method.

Click on the Apply and Close buttons, then press F2. When the run is over, press F8. The Apply and Close buttons copy the optimized values to the circuit and F2 produces a new run with the optimized R model parameter. F8 puts us in Cursor mode so we can readily read the new values. The display should look like this:

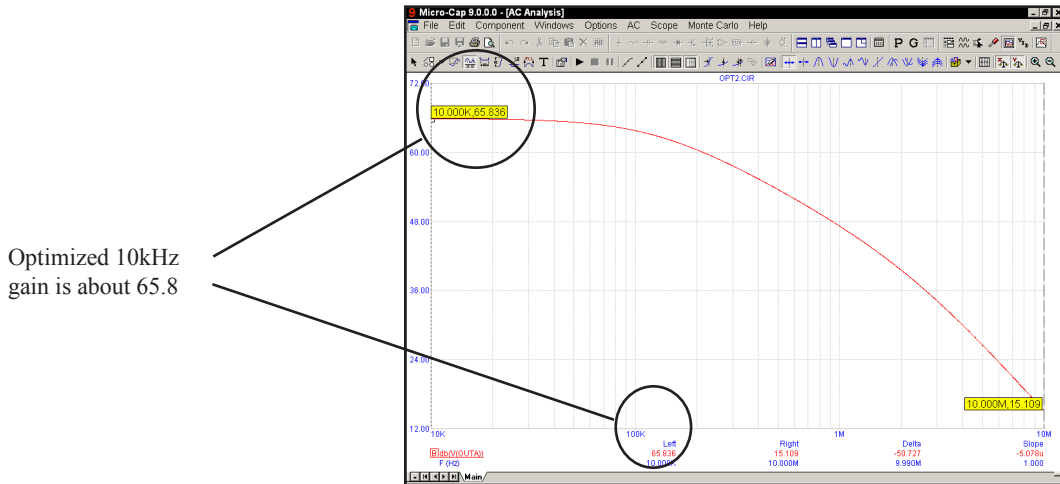


Figure 17-6 AC analysis after optimization

The gain at $F=1E4$ is now about 65.8 dB.

When the Apply button is clicked the old model name is replaced by a new one with the newly optimized parameter value. The old model statement with the old name is left unchanged in the text area of the circuit. All parts that used the old model name are changed to use the new model name and thus the new optimized parameter value.

Optimizing matching networks

Load the circuit file OPT3. It looks like this:

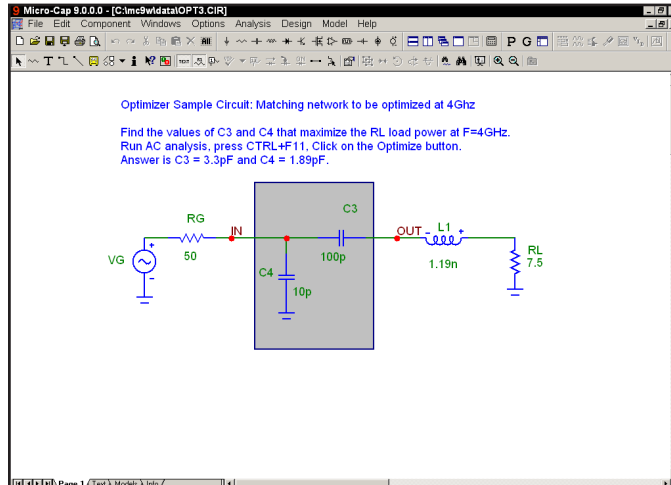


Figure 17-7 The OPT3 circuit

Select AC analysis and press F2. Note that the RL power, PD(RL) peaks at about F=1.3GHz. The standard run looks like this:

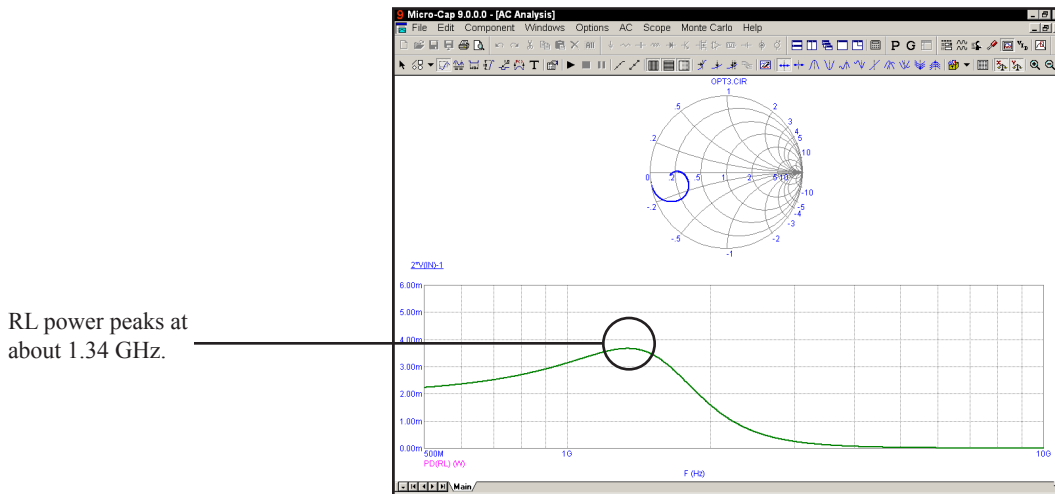


Figure 17-8 AC analysis before optimization

Select **AC/ Optimize** or press CTRL + F11. This loads the Optimize dialog box for AC analysis. It looks like this:

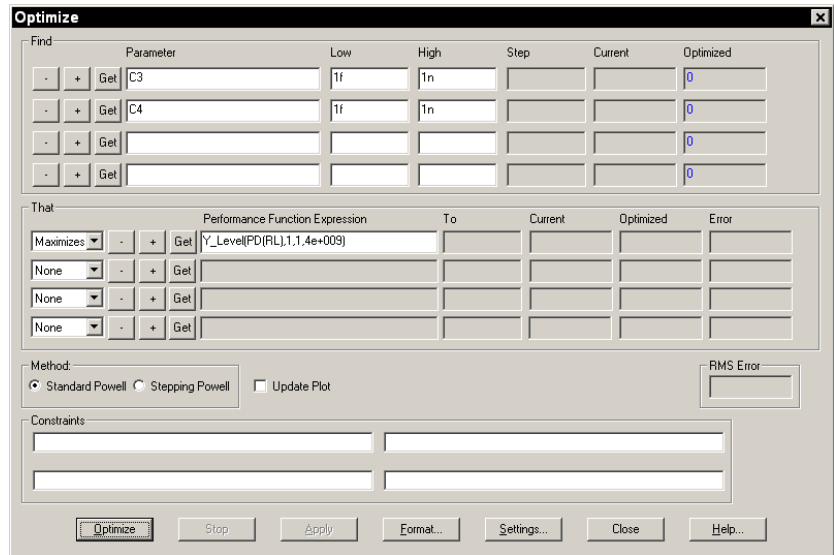


Figure 17-9 The Optimizer dialog box for OPT3

These settings find the values of the C3 and C4 network-matching capacitors that maximize the AC power, PD(RL), delivered to the load, RL at 4GHz. To summarize, the optimizer finds the following:

The value of C3 and C4 that maximizes:

$$Y_Level(PD(RL),1,1,4e+009)$$

PD(RL) is the AC power delivered to the load RL.

$Y_Level(PD(RL),1,1,4e+009)$ is the value of the curve PD(RL) at the X expression (F) value of 4GHz, which is the frequency at which we want the matching network to deliver peak power.

Click on the Optimize button. After a few seconds the optimizer finds the optimal value of $C3 = 3.3\text{pF}$ and $C4 = 1.894\text{pF}$. These values deliver about 5mW to the load at 4GHz.

Click on the Apply and Close buttons, then press F2. The Apply and Close buttons copy the optimized values of C3 and C4 to the circuit and F2 produces a new run with the optimized values. The display should look like this:

RL power peaks at 5mW at about 4GHz.

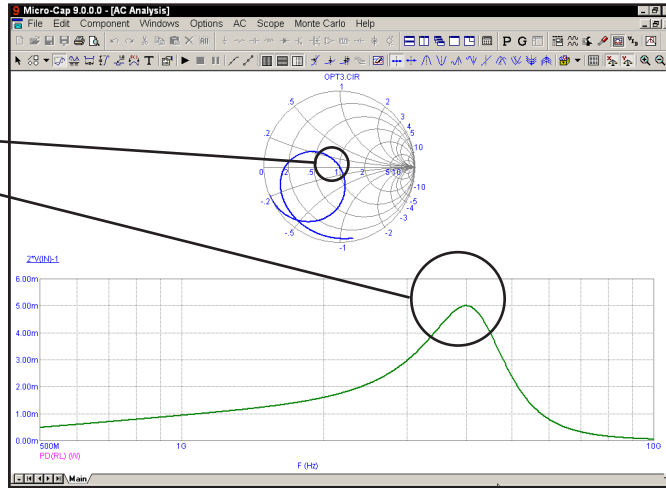


Figure 17-10 AC analysis after optimization

Note that the Smith chart is plotting $2 \cdot V_{IN} - 1$ which, for this circuit, is equivalent to plotting the scattering parameter, S_{11} . That S_{11} goes through the Smith chart origin (1,0) at 4 GHz, confirms that the matching capacitor network has been optimized to deliver maximum AC power to the load.

Curve fitting with the optimizer

Load the circuit file OPT4. It looks like this:

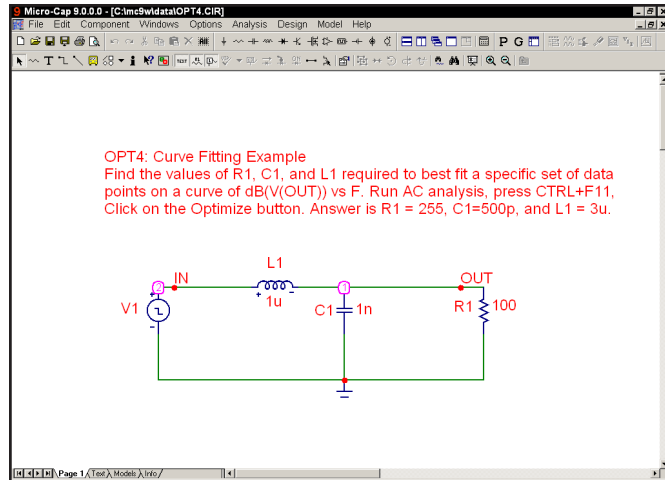


Figure 17-11 The OPT4 circuit

Select AC analysis and press F2. Press F8. The standard run looks like this, after placing the cursors at 2MHz and 10MHz. Note the value of db(V(OUT)) is 1.397 at 2MHz and -9.583 at 10MHz.

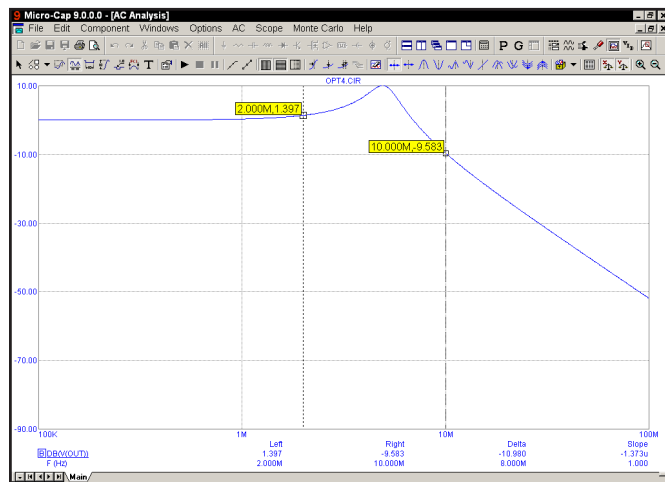


Figure 17-12 AC analysis before optimization

Select **AC/ Optimize** or press CTRL + F11. This loads the Optimize dialog box for AC analysis. It looks like this:

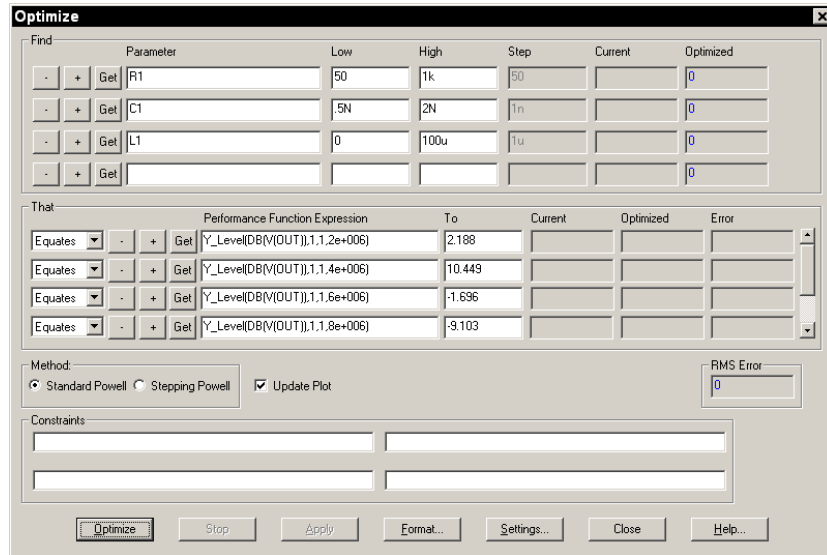


Figure 17-13 The Optimizer dialog box for OPT4

These settings for the OPT4 circuit determine the value of R1, C1, and L1 that equate the six values of DB(V(OUT)) to specified values at different frequencies. To summarize, it finds the following:

The value of R1, C1, and L1 that:

- Equates Y_Level(DB(V(OUT)),1,1,2e+006) to 2.188
- Equates Y_Level(DB(V(OUT)),1,1,4e+006) to 10.449
- Equates Y_Level(DB(V(OUT)),1,1,6e+006) to -1.696
- Equates Y_Level(DB(V(OUT)),1,1,8e+006) to -9.103
- Equates Y_Level(DB(V(OUT)),1,1,10e+006) to -13.939
- Equates Y_Level(DB(V(OUT)),1,1,20e+006) to -27.134

In short, we are trying to match six data points, at frequencies ranging from 2 MHz to 20MHz on the plot of db(v(out)).

In equate optimization, the optimizer actually minimizes the square root of the sum of the squares of the differences between the target and actual values. The RMS Error field always shows this root-mean-square error measure.

Click on the Optimize button. After a few seconds the optimizer finds the optimal values; $R1=255$, $L1=3\mu$, and $C1=500\text{pF}$.

Click on the Apply and Close buttons, then press F2. When the run is over, press F8. The Apply and Close buttons copy the optimized values to the circuit and F2 produces a new run with the optimized values. The display should look like this, after placing the cursors on the 2MHz and 10MHz values.

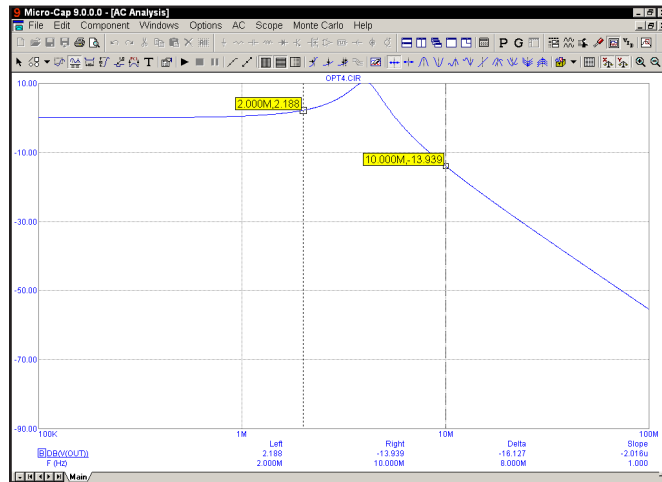


Figure 17-14 The optimized plot

Checking two of the equate values, at 2MHz and 10MHz, we find they equal the specified target values 2.188 and -13.939 respectively.

The optimizer was able to match these values exactly in this example. That is because the target values were taken originally from a circuit that was identical to the optimized circuit. We know that the target values are realizable because they came from an actual circuit. In cases like this it is sometimes possible for the optimizer to find *scaled* versions of the same circuit, since these have exactly the same circuit response. A scaled circuit is derived from a circuit by multiplying every resistance and inductance value by a scale factor and by dividing every capacitor value by the same factor. There are an infinite number of such scaled circuits. This is not usually a problem, only something to be aware of. You may get many optimal solutions to this kind of problem.

What's in this chapter

After successfully simulating a circuit, a user may want to know how the circuit performance is affected by parameter variation. Monte Carlo analysis provides a means of answering that question.

During Monte Carlo analysis, multiple runs are performed. For each run, a new circuit is generated from components whose numerical parameter values are randomly selected. The selection process is based upon user-specified parameter tolerances and distribution types. MC9 extracts performance characteristics from each run and displays the information graphically in the form of histograms and numerically in the form of statistical parameters.

Monte Carlo-related features new in Micro-Cap 9

- The Tolerance dialog box provides a means to manage and apply tolerances for model parameters.
- Select a case and the analysis plot shows the corresponding performance function measurement when the analysis is in Cursor mode.

How Monte Carlo works

Monte Carlo works by analyzing many circuits. Each circuit is constructed of components randomly selected from populations whose parameters vary according to user-specified statistical distributions.

Tolerances are applied to a component's numeric model parameters. *Only model parameters and symbolic parameters can be toleranced.* Tolerances are specified as an actual value or as a percentage of the nominal parameter value.

Both absolute (LOT) and relative (DEV) tolerances can be specified. A LOT tolerance is applied absolutely to each device. A DEV tolerance is then applied to the first through last device relative to the LOT toleranced value originally chosen for the first device. In other words, the first device in the list receives a LOT tolerance, if one was specified. All devices, including the first, then receive the first device's value plus or minus the DEV tolerance. DEV tolerances provide a means for having some devices track in their critical parameter values.

Both tolerances are specified by including the key words LOT or DEV after the model parameter:

```
[LOT[t&d]=<value>[%]] [DEV[t&d]=<value>[%]]
```

For example, this model statement specifies a 10% absolute tolerance to the forward beta of the transistor N1:

```
.MODEL N1 NPN (BF=300 LOT=10%)
```

In this example, for a worst case distribution, each transistor using the N1 model statement has a forward beta of either 270 or 330. For a Gaussian distribution, a random value would be selected from a distribution with a standard deviation of 30/SD (SD is the number of standard deviations in the tolerance band). For a uniform distribution, a random value would be selected from a distribution with a half-width of 30.

This example specifies a 1% relative tolerance to the BF of the N1 model:

```
.MODEL N1 NPN (BF=300 DEV=1%)
```

The DEV value specifies the relative percentage variation of a parameter. A relative tolerance of 0% implies perfect tracking. A 1.0% DEV tolerance implies that

the BF of each N1 device is the same to within +/- 1.0% for a worst case distribution. DEV tolerances require the use of private libraries, regardless of the state of the PRIVATEANALOG or PRIVATEDIGITAL flags. These flags are set in **Options / Global Settings**.

This sample specifies a 10% absolute and 1% relative BF tolerance:

```
.MODEL N1 NPN (BF=300 LOT=10% DEV=1%)
```

In this example, assuming a worst case distribution, the first N1 model is randomly assigned one of the two values 270 or 330. These two values are calculated from the mean value of 300 and 10% LOT tolerance as follows:

$$BF = 270 = 300 - .1 \cdot (300)$$

$$BF = 330 = 300 + .1 \cdot (300)$$

Suppose that the LOT toleranced BF value was randomly chosen to be 330. Then all N1 transistors, including the first, are randomly given one of these values, based upon the 1% DEV tolerance:

$$327 = 330 - .01 \cdot 300$$

$$333 = 330 + .01 \cdot 300$$

If the LOT toleranced BF value had been randomly chosen to be 270, then all N1 transistors, including the first, would be randomly given one of these values, based upon the 1% DEV tolerance:

$$267 = 270 - .01 \cdot 300$$

$$273 = 270 + .01 \cdot 300$$

Assuming a worst case distribution, all BF values in any particular run would be chosen from the set {267, 273, 327, 333}.

Resistors, capacitors, and inductors must be toleranced through their multiplier model parameter. This example provides a 10% LOT tolerance and a 1% DEV tolerance for a resistor.

```
.MODEL RMOD RES (R=1 LOT=10% DEV=1%)
```

Any resistor that uses the RMOD model will be toleranced, since the toleranced R value will multiply its resistor value.

[*t&d*] specifies the tracking and distribution, using the following format:

[/*<lot#>*][/*<distribution name>*]

These specifications must follow the keywords DEV and LOT without spaces and must be separated by "/".

<lot#> specifies which of ten random number generators, numbered 0 through 9, are used to calculate parameter values. This lets you correlate parameters of an individual model statement (e.g. RE and RC of a particular NPN transistor model) as well as parameters between models (e.g. BF of NPNA and BF of NPNB). The DEV random number generators are distinct from the LOT random number generators. Tolerances without *<lot#>* get unique random numbers.

<distribution name> specifies the distribution. It can be any of the following:

Keyword	Distribution
UNIFORM	Equal probability distribution
GAUSS	Normal or Gaussian distribution
WCASE	Worst case distribution

If a distribution is not specified in [*t&d*], the distribution specified in the Monte Carlo dialog box is used.

To illustrate the use of *<lot#>*, suppose we have the following circuit:

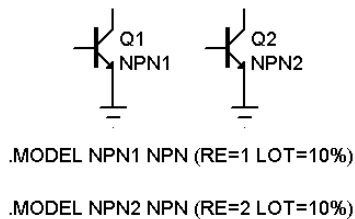


Figure 18-1 Uncorrelated RE values

In this example, Q1's RE value will be uncorrelated with Q2's RE value. During the Monte Carlo runs, each will receive random uncorrelated tolerances.

Now consider this circuit:

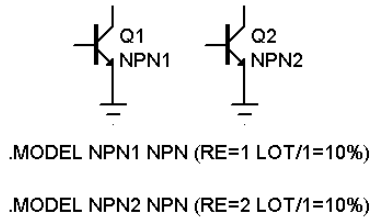


Figure 18-2 Using <lot#> to correlate RE values

Here, the presence of LOT/1 in both RE tolerance specs forces the LOT tolerance of the RE values to be the same. The values themselves won't be the same since their nominal values (1.0 and 2.0) are different.

DEV can also use [*t&d*] specifications. Consider this circuit.

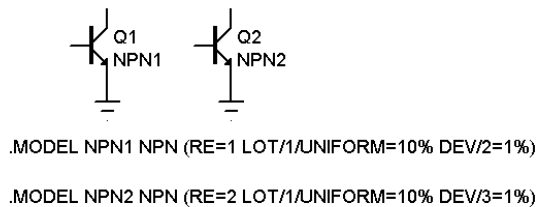


Figure 18-3 Using <lot#> in DEV and LOT

Here the LOT toleranced RE values will track perfectly, but when the DEV tolerance is added, the values will be different due to the use of different generators for DEV.

Tolerancing symbolic parameters

Symbolic parameters, those created with a `.DEFINE` statement, may also be toleranced. The format is as follows:

```
.DEFINE [{lotspec}] <varname> <expr>
```

where the format of *lotspec* is similar to that for other parameters except there is no DEV tolerance. With symbolic variables, there is only one instance so DEV tolerancing cannot be used.

```
[LOT[t&d]=<value>[%]]
```

[*t&d*] specifies the tracking and distribution, using the usual format:

```
[/<lot#>][/<distribution name>]
```

For example,

```
.DEFINE {LOT/1/GAUSS=10%} RATE 100
```

This defines a variable called `RATE` that has a Gaussian distribution with a LOT tolerance of 10% and its tolerances are based on random number generator 1.

Here is another example:

```
.DEFINE {LOT/3/UNIFORM=20%} VOLTAIRE 100
```

This defines a variable called `VOLTAIRE` with a nominal value of 100. It has a uniform distribution with a LOT tolerance of 20%. Its LOT tolerance is based on the random number generator 3.

Tolerances and public vs. private libraries

In order to accomplish relative DEV tolerancing, it is necessary to have private libraries. Consider this case:

.MODEL N1 NPN (BF=300 LOT=10% DEV=1%)

Because of the DEV tolerance, each instance of a BJT using the N1 model will have a unique BF. This can only happen with private libraries. Thus, when a model uses a DEV tolerance, the PRIVATEANALOG or PRIVATEDIGITAL flags are enabled, forcing the use of a private library for all parts which use the model. The flags are not affected for other models.

To summarize, for all parts which use the model statement:

If DEV is used, then all devices have their own private model parameter set, regardless of the PRIVATEANALOG or PRIVATEDIGITAL flag settings, and may have different parameter values if the tolerances are not zero.

If DEV is not used, and PRIVATEANALOG or PRIVATEDIGITAL are disabled, then all devices that use the same model name will have the same parameter values, since public libraries are being used.

If DEV is not used, and PRIVATEANALOG or PRIVATEDIGITAL are enabled, then all devices that use the same model name may have different parameter values, if the tolerances are not zero.

This table summarizes how the parameters of two parts using the same model vary depending upon DEV use and the PRIVATE flags.

	PRIVATE	PUBLIC
DEV USED	UNIQUE	UNIQUE
DEV NOT USED	UNIQUE	SAME

This table summarizes how the parameters of two parts using the same model vary depending upon LOT use and the PRIVATE flags.

	PRIVATE	PUBLIC
LOT USED	UNIQUE	SAME
LOT NOT USED	SAME	SAME

Distributions

The actual values assigned to a tolerated parameter depend not only on the tolerance, but on the distribution as well.

A worst case distribution places all values at the extremes of the tolerance band. There are only two values:

$$\begin{aligned}\text{Min} &= \text{Mean} - \text{Tolerance} \\ \text{Max} &= \text{Mean} + \text{Tolerance}\end{aligned}$$

The mean value is the model parameter value.

A uniform distribution places values equally over the tolerance band. Values are generated with equal probability over the range:

From *Mean - Tolerance* to *Mean + Tolerance*

A Gaussian distribution produces a smooth variation of parameters around the mean value. Values closer to the mean are more likely than values further away. The standard deviation is obtained from the tolerance by this formula:

$$\text{Standard Deviation} = \text{Sigma} = (\text{Tolerance}/100) \cdot \text{Mean} / \text{SD}$$

SD (from the Global Settings dialog box) is the number of standard deviations in the tolerance band. Thus, the standard deviation is calculated directly from the tolerance value. The value chosen depends upon how much of a normal population is to be included in the tolerance band. Here are some typical values:

Standard deviations	Percent of population
1.0	68.0
1.96	95.0
2.0	95.5
2.58	99.0
3.0	99.7
3.29	99.9

If a supplier guarantees that 99.9% of all 10% resistors are within the 10% tolerance, you would use the value 3.29. Using a Gaussian distribution, a 1K 10% resistor may have a value below 900 ohms or above 1100 ohms. The probability would be less than 0.1% for an SD of 3.29, but it could happen.

Options

The Monte Carlo options dialog box provides these choices:

- **Distribution to Use:** This specifies the default distribution to use for all LOT and DEV tolerances that do not specify a distribution with [t&d].

- *Gaussian distributions* are governed by the standard equation:

$$f(x) = e^{-.5*s*s}/\sigma(2*\pi)^{-.5}$$

Where $s = x - \mu / \sigma$ and μ is the nominal parameter value, σ is the standard deviation, and x is the independent variable.

- *Uniform distributions* have equal probability within the tolerance limits. Each value from minimum to maximum is equally likely.

- *Worst case distributions* have a 50% probability of producing the minimum and a 50% probability of producing the maximum.

- **Status:** Monte Carlo analysis is enabled by selecting the On option. To disable it, click the Off option.

- **Number of Runs:** The number of runs determines the confidence in the statistics produced. More runs produce a higher confidence that the mean and standard deviation accurately reflect the true distribution. Generally, from 30 to 300 runs are needed for a high confidence. The maximum is 30000 runs.

- **Show Zero Tolerance Curve:** If this option is enabled, the first run tolerances are set to zero to provide a kind of baseline or reference curve.

- **Report When:** This field specifies when to report a failure. The routine generates a failure report in the numeric output file when the Boolean expression in this field is true. The field must contain a performance function specification. For example, this expression

`rise_time(V(1),1,2,0.8,1.4)>10ns`

would generate a report when the specified rise time of V(1) exceeded 10ns. The report lists the model statement values that produced the failure. These reports are included in the numeric output file (NAME.TNO for transient,

NAME.ANO for AC, and NAME.DNO for DC) and can be viewed directly. They are also used by the **Load MC File** item in the **File** menu to recreate the circuits that created the performance failure.

- **Seed:** The random number seed directly controls the sequence of random numbers generated by the program. By specifying a seed number you can identify and recall in a later simulation the same random numbers used to produce tolerance values and the corresponding histograms. If the seed is ≥ 1 it returns a repeating sequence of random numbers. If the seed is blank or < 1 it returns a non-repeating sequence of random numbers.
- **Tolerance (CTRL + ALT + T):** This accesses the Tolerance dialog box.

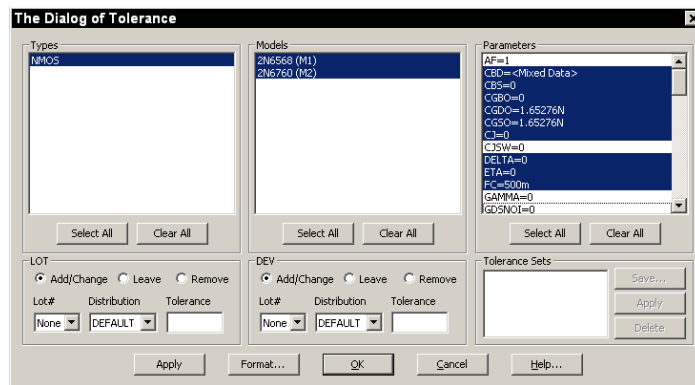


Figure 18-4 The Tolerance dialog box

Tolerances are usually defined when the model statement is created. Modern MOSFET and BJT models, however, have so many parameters that it is often difficult to enter all of these tolerances, even if they are known. This dialog box, which is accessible from the Monte Carlo dialog box and also from **Edit / Change / Tolerances**, lets you assign tolerances to many or all parameters at once. You can apply LOT and DEV tolerances to any part that has a model statement. You can also save Tolerance sets for later use on other models of the same type. The dialog box has these fields:

- *Types:* This list the parts types found in the circuit. You can select one or more types for tolerancing, although only one type is usually selected.
- *Models:* This lists each model found for the selected part type(s). You can select one or more models for tolerancing.
- *Parameters:* This lists the model parameters for each selected model.

- *LOT*: This controls the options for the LOT tolerance.
 - *Add/Change*: This adds or changes the LOT tolerance of the selected parameter(s) to the value in the Tolerance field, when the Apply button is clicked.
 - *Leave*: This option leaves the LOT tolerances unchanged.
 - *Remove*: This option removes the LOT tolerance of the selected parameter(s).

Lot#: This field lets you enter a lot # for the LOT tolerance.

Distribution: This lets you select the type of distribution.

Tolerance: This field lets you enter the tolerance. You can enter an absolute tolerance or a percentage tolerance.

- *DEV*: This controls the options for the DEV tolerance. The options are the same as for the Lot tolerance above.
- *Tolerance Sets*: This lets you assign a name to a tolerance set so it can be used for other parts of the same model statement type. To name a set, click on Save and enter a name, such as 60n_MOSFET or Caps_5%. To apply a tolerance set to the selected parameters, select the set name from the list and click on Tolerance Sets / Apply. To delete a tolerance set, select the name of the set to be removed, then click on the Delete button.

Note: Tolerances can not be applied to parameters that are not defined in the model statements and have undefined defaults. For example, in a model statement such as,

```
.MODEL MM1 NMOS (Level=1)
```

In this example, you can't apply a tolerance to the GAMMA parameter because it is not defined in the model statement and its default value is undefined. You can apply a tolerance to GAMMA if its value is defined in the model statement such as in this example,

```
.MODEL MM1 NMOS (Level=1 GAMMA=.65)
```

Performance functions

MC9 saves all X and Y expression values of each plotted expression at each data point for each run, so you can create histograms using expressions comprised of the functions after the runs are done. For example if you plotted the curve V(OUT), you could do a histogram of the expression:

Rise_Time(V(OUT),1,1,1,2) + Fall_Time(V(OUT),1,1,1,2)

Performance function expressions reduce an entire curve to a *single* number that captures an important behavioral characteristic for one particular run. Individual numbers are then combined to form a population which is statistically analyzed and its histogram is displayed. Ideally, the histograms and population statistics will reveal expected variations in the performance function expression when the circuit is manufactured.

The performance functions are described in greater detail in the "Performance Functions" chapter.

What's in this chapter

Performance functions are mathematical procedures designed to extract circuit performance measurements from curves generated during an analysis. This chapter describes their capabilities. It includes:


- What are performance functions?
- Performance functions defined
- The Performance Function dialog box

Performance-related features new in Micro-Cap 9

- New Performance tags dynamically measure performance function values and update the plot display as you navigate from branch to branch.
- RMS and Average functions were added.

What are performance functions?

MC9 provides a group of functions for measuring performance-related curve characteristics. These functions let you measure such things as rise time, fall time, pulse width, frequency, period, and many others. These functions may be used to analyze any curve generated during the course of an analysis. There are several ways in which performance functions may be used:

- **Immediate mode:** In this mode, you click on the Go to Performance  button and select a function from the list. The function is then applied to the curve specified in the Expression list box curve and the numeric result printed in the dialog box.
- **Performance Tag:** In this mode, the left mouse button is used to place a performance tag which measures a performance parameter for the current plot and the plots of any subsequent runs. This includes stepped runs, Monte Carlo runs, or even simple dynamic edits. In each case the tag measures the quantity dynamically and adapts its display to show the new value.
- **Performance plots:** In this mode, you do multiple runs by stepping numeric parameters and then create a plot showing how the performance function varies with the stepped variables. You can create two and three dimensional performance plots.
- **Monte Carlo plots:** In this mode, you run multiple Monte Carlo runs and then create a histogram showing how the performance function varies statistically.

All performance functions share one trait. They extract a single number (the performance function) from a group of numbers (the plot or curve). So performance functions are a kind of data reduction. They reduce an array of points, e.g. the plot of V(OUT) vs. Time, to a single number, e.g. RiseTime.

Performance functions defined

MC9 provides a group of functions for measuring performance-related curve characteristics. These functions include:

Rise_Time	This function marks the N'th time the Y expression rises through the specified Low and High values. It places the cursors at the two data points, and returns the difference between the X expression values at these two points. This function is useful for measuring the rise time of time-domain curves.
Fall_Time	This function marks the N'th time the Y expression falls through the specified Low and High values. It places the cursors at the two data points, and returns the difference between the X expression values at these two points. This function is useful for measuring the fall time of time-domain curves.
Peak_X	This function marks the N'th local peak of the selected Y expression. A peak is any data point algebraically larger than the neighboring data points on either side. It places the left or right cursor at the data point and returns its X expression value.
Peak_Y	This function is identical to the Peak_X function but returns the Y expression value. This function is useful for measuring overshoot in time-domain curves and the peak gain ripple of filters in AC analysis.
Valley_X	This function marks the N'th local valley of the selected Y expression. A valley is any data point algebraically smaller than the neighboring data points on either side. It places the left or right cursor at the data point and returns its X expression value.
Valley_Y	This function is identical to the Valley_X function but returns the Y expression value. It is useful for measuring undershoot in time-domain curves and the peak attenuation of filters in AC analysis.

Peak_Valley	This function marks the N'th peak and N'th valley of the selected Y expression. It places the cursors at the two data points, and returns the difference between the Y expression values at these two points. This function is useful for measuring ripple, overshoot, and amplitude.
Period	The period function accurately measures the time period of curves by measuring the X differences between successive instances of the average Y value. It does this by first finding the average of the Y expression over the simulation interval where the Boolean expression is true. Then it searches for the N'th and N+1'th rising instance of the average value. The difference in the X expression values produces the period value. Typically a Boolean expression like "T>500ns" is used to exclude the errors introduced by the non-periodic initial transients. This function is useful for measuring the period of oscillators and voltage to frequency converters, where a curve's period usually needs to be measured to high precision. The function works best on curves that pass through their average value once per fundamental period. It will not work well on curves that contain significant harmonics of the fundamental. The function places the cursors at the two data points, and returns the difference between the X expression values at these two points.
Frequency	This is the numerical complement of the Period function. It behaves like the Period function, but returns 1/Period. The function places cursors at the two data points.
Width	This function measures the width of the Y expression curve by finding the N'th and N+1'th instances of the specified Level value. It then places cursors at the two data points, and returns the difference between the X expression values at these two points.
High_X	This function finds the global maximum of the selected branch of the selected Y expression, places either the left or the right cursor at the data point, and returns its X expression value.

High_Y	This function finds the global maximum of the selected branch of the selected Y expression, places either the left or the right cursor at the data point, and returns its Y expression value.
Low_X	This function finds the global minimum of the selected branch of the selected Y expression, places either the left or the right cursor at the data point, and returns its X expression value.
Low_Y	This function finds the global minimum of the selected branch of the selected Y expression, places either the left or the right cursor at the data point, and returns its Y expression value.
X_Level	This function finds the N'th instance of the specified Y Level value, places a left or right cursor there, and returns the X expression value.
Y_Level	This function finds the N'th instance of the specified X Level value, places a left or right cursor there, and returns the Y expression value.
X_Delta	This function finds the N'th instance of the specified Y expression range, places cursors at the two data points, and returns the difference between the X expression values at these two points.
Y_Delta	This function finds the N'th instance of the specified X expression range, places cursors at the two data points, and returns the difference between the Y expression values at these two points.
X_Range	This function finds the X range (max - min) for the N'th instance of the specified Y range. First it searches for the specified Y Low and Y High expression values. It then searches all data points between these two for the highest and lowest X values, places cursors at these two data points, and returns the difference between the X expression values at these two points. It differs from the X_Delta function in that it returns the difference in the

maximum and minimum X values in the specified Y range, rather than the difference in the X values at the specified Y endpoints.

Y_Range

This function finds the Y range (max - min) for the N'th instance of the specified X range. First it finds the specified X Low and X High expression values. It then searches all data points between these two for the highest and lowest Y values, places cursors at these two data points, and returns the difference between the Y expression values at these two points. It differs from the Y_Delta function in that it returns the difference in the maximum and minimum Y values in the specified X range, rather than the difference in the Y values at the specified X endpoints. This function is useful for measuring filter ripple.

Slope

This function places cursors at the two data points that straddle the data point nearest the specified X value, and returns the slope between the two cursors.

Phase_Margin

This function finds the phase margin of a plot. A dB(expr) plot and a PHASE(expr) plot must be present for it to work properly. This function is only available in AC analysis


RMS

This function finds the RMS value of the selected Y expression. The function is computed over the range from XMin to XMax.

Average

This function finds the average value of the selected Y expression. The function is computed over the range from XMin to XMax.

The Performance Function dialog box

These functions may be used on a single analysis plot, in Monte Carlo analysis, optimization, and in 3D plotting. When a run is complete, click on the Go to Performance Function  button. The dialog box looks like this:

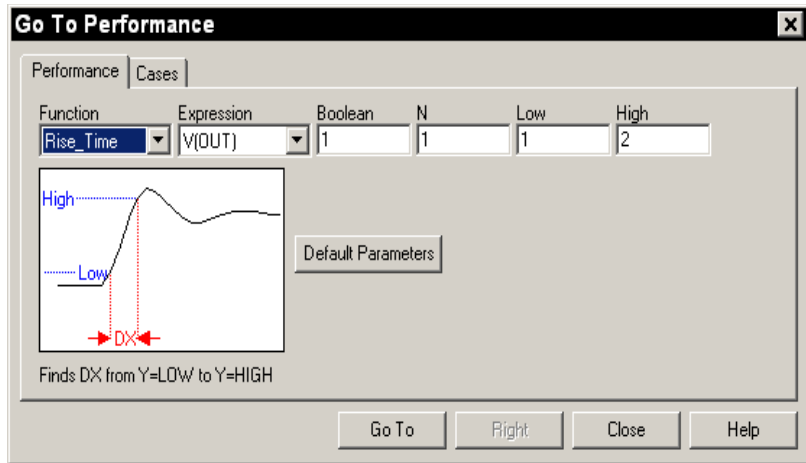


Figure 19-1 Performance Function dialog box

There are two panels: Performance and Cases. The Cases panel lets you select a branch if more than one is available due to stepping. The Performance panel lets you select a performance function to apply to the selected curve branch chosen from the Cases panel.

The Performance panel provides the following fields:

Function: This selects one of the Performance functions.

Expression: This selects the expression for the function to work on. Only expressions that were plotted during the run are available.

Boolean: This Boolean expression must be true for the performance functions to consider a data point for inclusion in the search. Typically this function is used to exclude some unwanted part of the curve from the function search. A typical expression here would be " $T > 100\text{ns}$ ". This would instruct the program to exclude any data points for which $T \leq 100\text{ns}$. A value of 1 selects all data points since it is always true (e.g. ≥ 1.0).

N: This integer specifies which of the instances you want to find and measure. For example, there might be many pulse widths to measure. Number one is the first one on the left starting at the first time point. The value of N is incremented each time you click on the Go To button, measuring each succeeding instance.

Low: This field specifies the low value to be used by the search routines. For example, in the Rise_Time function, this specifies the low value at which the rising edge is measured.

High: This field specifies the high value to be used by the search routines. For example, in the Rise_Time function, this specifies the high value at which the rising edge is measured.

Level: This field specifies the level value to be used by the search routines. For example, in the Width function, this specifies the expression value at which the width is measured.

The buttons at the bottom provide these functions:

Go To (Left): This button is called Go To when the performance function naturally positions both cursors (as the Rise_Time and Fall_Time functions do). It is named Left when either the left or right cursor, but not both, would be positioned by the function. When named Left, this button places the left numeric cursor at the position dictated by the performance function.

Right: This button places the right numeric cursor at the position dictated by the performance function. For example, the Peak function can position either the left or right cursor.

Help: This button accesses local help information for the dialog box.

Close: This button closes the dialog box.

Default Parameters: This button calculates default parameters for functions which have them. It guesses at a suitable value by calculating the average value or the 20% and 80% points of a range.

Performance functions all share certain basic characteristics:

A performance function at its core is a search: The set of data points of the target expression is searched for the criteria specified by the performance function and its parameters.

Performance functions find the N'th instance: Every performance function has a parameter N which specifies which instance of the function to return. The only exceptions are the High and Low functions for which, by definition, there is a maximum of one instance.

Each performance function request from the dialog box increments the N parameter: Every time a performance function is called, N is incremented after the function is called. The next call automatically finds the next instance, and moves the cursor(s) to subsequent instances. For example, each call to the Peak function locates a new peak to the right of the old peak. When the end of the curve is reached, the function rolls over to the beginning of the curve. N is not, of course, incremented when a performance function is used in optimization or 3D plotting.

Only curves plotted during the run can be used: Performance functions operate on curve data sets after the run, so only curves saved (plotted) during the run are available for analysis.

Boolean expression must be TRUE: Candidate data points are included only if the Boolean expression is true for the data point. The Boolean expression is provided to let the user include only the desired parts of the curve in the performance function search.

At least PERFORM_M neighboring points must qualify: If a data point is selected, the neighboring data points must be consistent with the search criteria or the point is rejected. For example, in the peak function, a data point is considered a peak if at least PERFORM_M data points on each side have a lower Y expression value. PERFORM_M is a Global Settings value and defaults to 2. Use 3 or even 4 if the curve is particularly choppy or has any trapezoidal ringing in it.

Performance function plots

Performance Function plots may be created when multiple analysis runs have been done with temperature or parameter stepping. To illustrate, load the file PERF1. Run transient analysis. The plot should look like this:

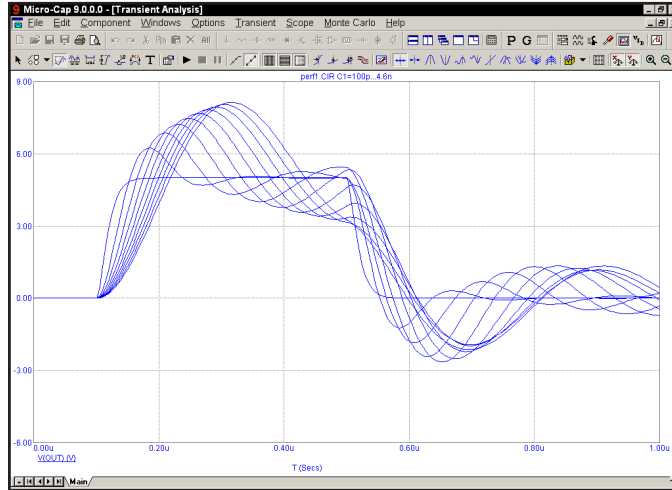


Figure 19-2 The transient analysis run

From the **Transient** menu, select **Performance Windows - Add Performance Window**. This presents the Properties dialog box for performance plots.

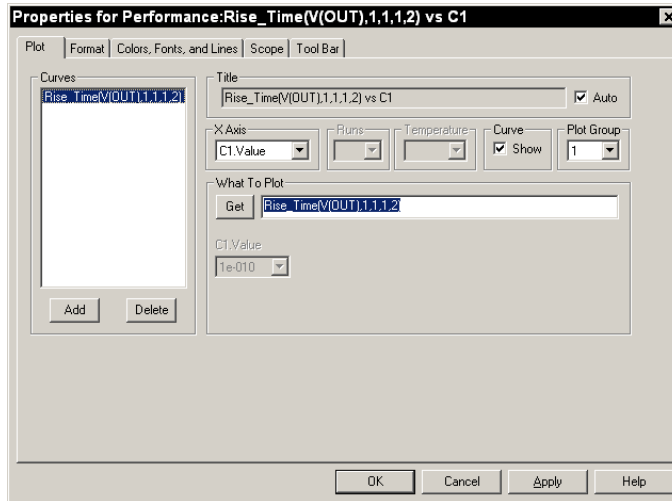


Figure 19-3 The Properties dialog box for performance plots

The Plot Properties dialog box is similar to the one for the analysis plot described in Chapter 14. Here we'll describe the only difference, the Plot panel.

- **Plot**

Curves: This list box lets you select the curve that the performance functions will operate on. The Add and Delete buttons at the bottom let you add or delete a particular performance plot.

Title: This field lets you specify what the plot title is to be. If the Auto button is checked, the title is automatically created.

X Axis: This lets you select the stepped variable to use for the X axis.

Runs: If Accumulate Plots is enabled, this lets you select the run number you wish to use. Select All and you can show multiple performance plots. The run number is simply a numeric index of each new run created by edits while in dynamic edit mode.

X Axis: This lets you select the stepped variable to use for the X axis.

Temperature: If temperature was also stepped, each value creates a separate curve. This lets you select the temperature whose curve the performance functions will operate on.

Curve: This check box controls whether the selected performance curve will be plotted or not. If you want to hide the curve from the plot group, remove the check mark by clicking in the box.

Plot Group: This group's list box controls the plot group number.

What To Plot: This group lets you select the performance function and its parameters.

Stepped Variables List: If more than one variable has been stepped, there will be one or more List boxes. These list boxes let you select which instance of the stepped variable(s) the performance functions will process. For instance, if you stepped R1, L1, and C1 through 5 values each and chose R1 for the x axis variable, there would be a list box for L1 and one for C1. From these two lists, you could select any of the $5 \times 5 = 25$ possible curves and plot a performance function versus the R1 value.

Click on the OK button. This selects the Rise_Time function with default parameters and creates the following performance plot.

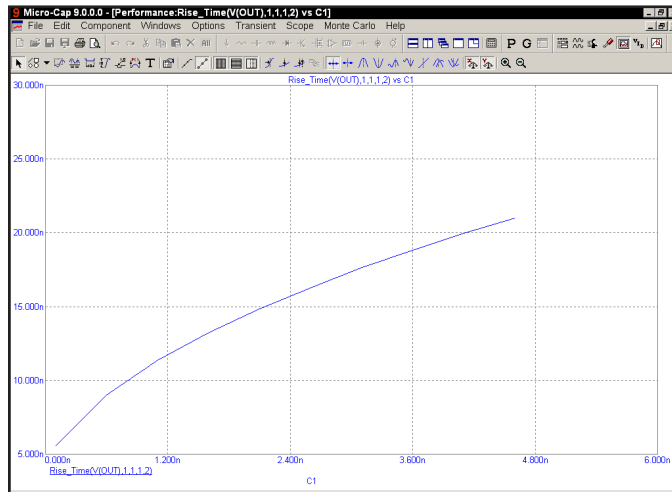


Figure 19-4 Rise time performance plot

This plot shows how the rise time of V(1) (as measured between 1 and 2 volts) varies with the value of C1, the only stepped variable. Double-click on the graph or press F10. This invokes the Properties dialog box. Click on the Add button. Click on the Get button and select Fall_Time from the Function list box. Click on the OK twice. This adds the Fall_Time function plot to the performance window.

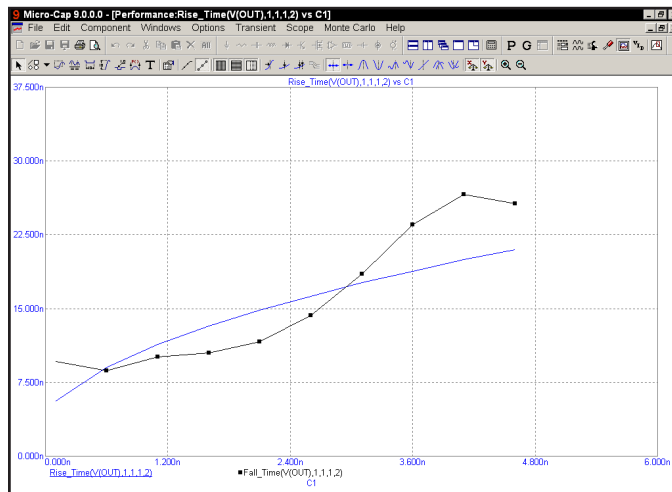


Figure 19-5 Rise and fall time performance plots

The window shows plots of both the Rise_Time and Fall_Time functions. Press F11 and click the Yes item in the Step It group of the R1 panel. Hit OK and press F2. The runs look like this:

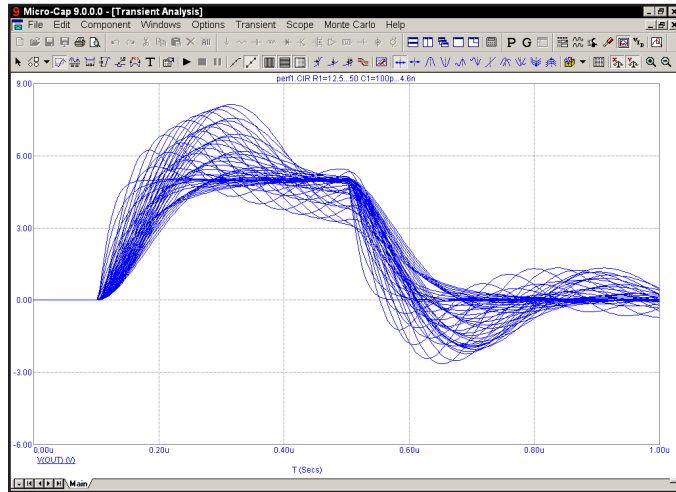


Figure 19-6 Stepping both C1 and R1

Press CTRL + F6 until you see the performance plot. It should look like this:

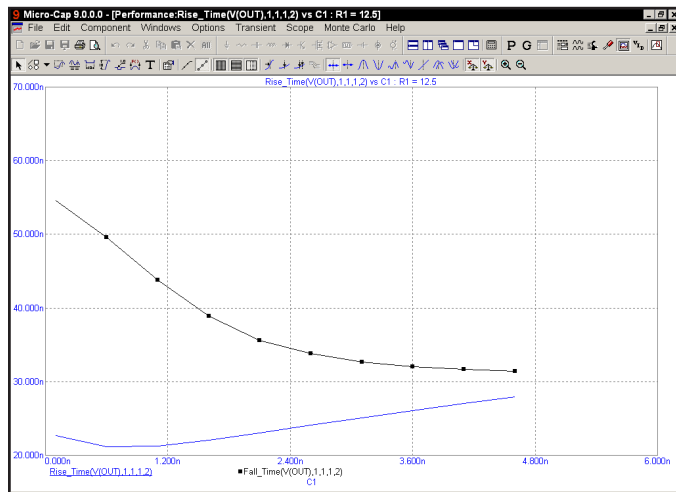


Figure 19-7 Performance plots for R1=12.5

In the new runs, C1 varies from .1n to 4.6n and R1 varies from 12.5 to 50. The plot shows the functions vs. the C1 variable only. What about R1? Since a 2D plot can only show functions versus one variable, the plot itself is prepared for a single value of the other stepped variable. In this case the plot is for R1=12.5 only. To see other values, press F10, and select a new value from the R1.Value list box for each of the two plots. Here is the plot for R1=25.

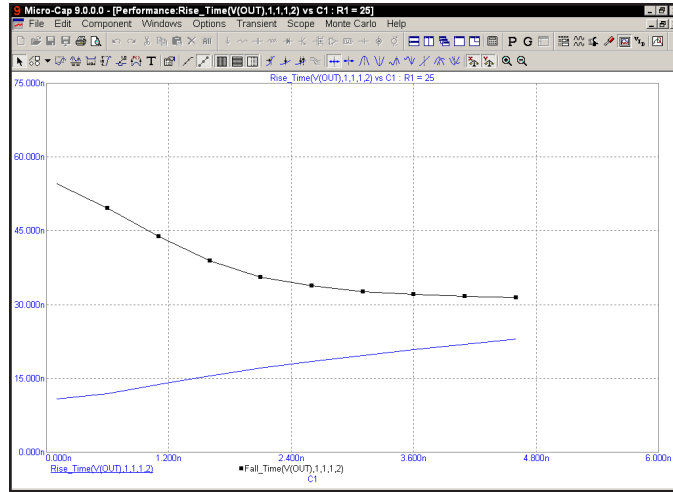


Figure 19-8 The Fall_Time performance plot for R1=25

When two or more variables are stepped, there is another way to view the results. You can do a 3D performance plot. To illustrate, select **Add 3D Window** from the **3D Windows** item on the **Transient** menu. From the 3D Properties dialog box select the Performance item from the Y Axis list, and select the Fall_Time function from the Function list box. Click OK. The result looks like Figure 19-9.

This 3D plot shows the Fall_Time function plotted along the (vertical) Y axis vs. C1 along the (horizontal) X axis and R1 along the (normal to paper) Z axis. It is the same data but presented a different way. In fact if you examine the 3D plot, you can see the 2D fall time plot within it.

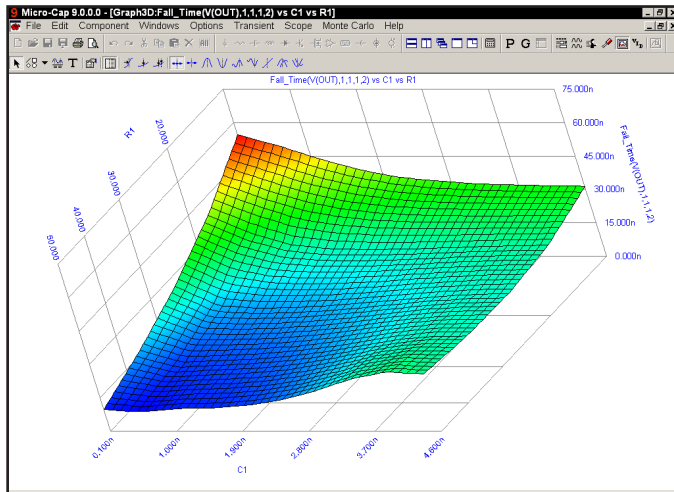


Figure 19-9 The 3D Fall_Time performance plot

What's in this chapter

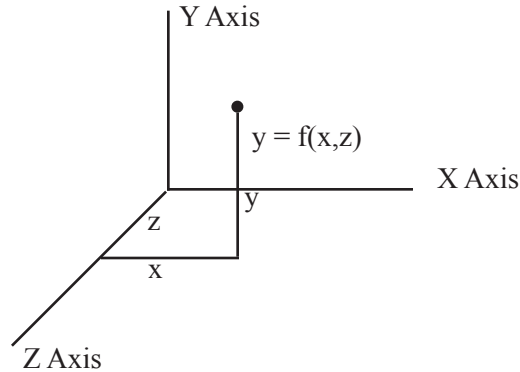
Micro-Cap provides 3D graphs for plotting and visualizing simulation results. This chapter shows you how to use them.

The chapter is organized as follows:

- How 3D plotting works
- 3D example
- The 3D dialog box
- Cursor mode in 3D
- 3D performance functions
- Changing the plot orientation
- Scaling in 3D

How 3D plotting works

In a 3D plot there are three variables. Each is associated with one of three mutually orthogonal axes, X, Y, and Z. The Z axis may be thought of as pointing out from the paper toward the user. The X and Y axes are coplanar with the paper.



The Y axis can plot one of two things:

- Any *expression* (curve) plotted during the run.
- *Performance function expressions* using curves plotted during the run.

Expressions can be plotted if either temperature stepping or parameter stepping has been employed during the run.

Performance functions expressions can be plotted if at least two variables have been stepped. One of the two can be temperature.

The first stepped variable is plotted along the Z axis. For example, if you stepped temperature and chose to plot V(1) on the Y axis, then T (Time) would normally be plotted on the X axis, and the stepped variable, temperature, would normally be plotted on the Z axis. If you stepped R(R1) and you chose to plot V(1) on the Y axis, then T (Time) would normally be plotted on the X axis, and the stepped variable, R(R1), would normally be plotted on the Z axis.

T or the second stepped variable is plotted along the X axis. For example, if you stepped R(R1) and C(C1), then you could plot an expression like V(1) vs. T on the X axis and either R(R1) or C(C1) on the Z axis, or a performance function like Rise_time vs. R(R1) on the X axis and C(C1) on the Z axis.

3D example

To illustrate how 3D plotting works, load the file 3D1. It looks like this:

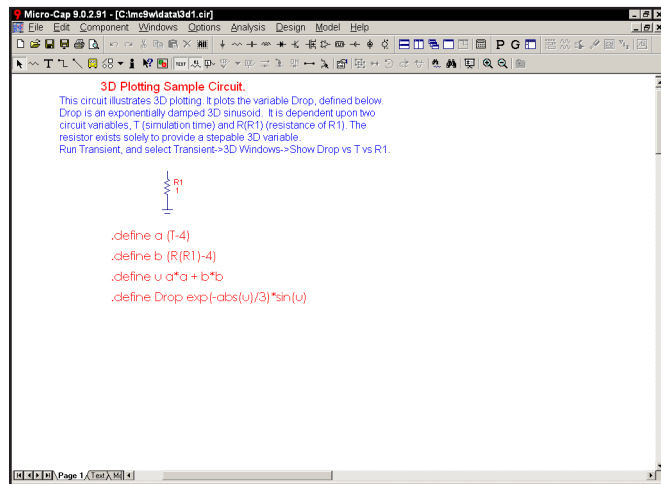


Figure 20-1 The 3D circuit

The circuit consists of a resistor, R1, and a symbolic variable, Drop, which is dependent upon the resistance of R1 and T. Select **Transient** from the **Analysis** menu. The analysis limits look like this:

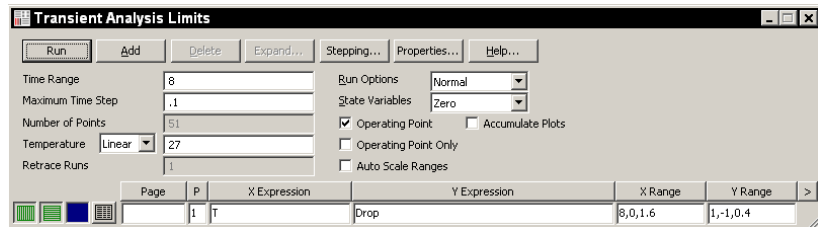


Figure 20-2 The analysis limits of 3D1

According to these limits T will vary from 0 to 8 with maximum steps of .1. We are plotting the value of the Drop variable. Since there are no capacitors or inductors in this circuit, the actual time step size starts small and quickly ramps up to the maximum of .1.

The Stepping dialog box looks like this:

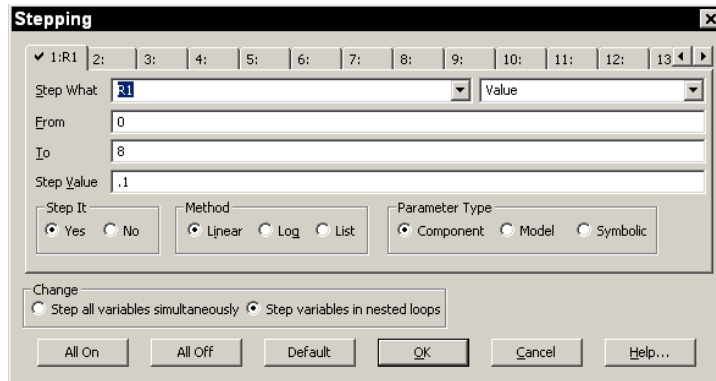


Figure 20-3 R(R1) is stepped from 0 to 8

According to this dialog box, the value of R1 will be linearly stepped from 0 to 8 in steps of 0.1. Click OK. Press F2 to start the run. The results look like this:

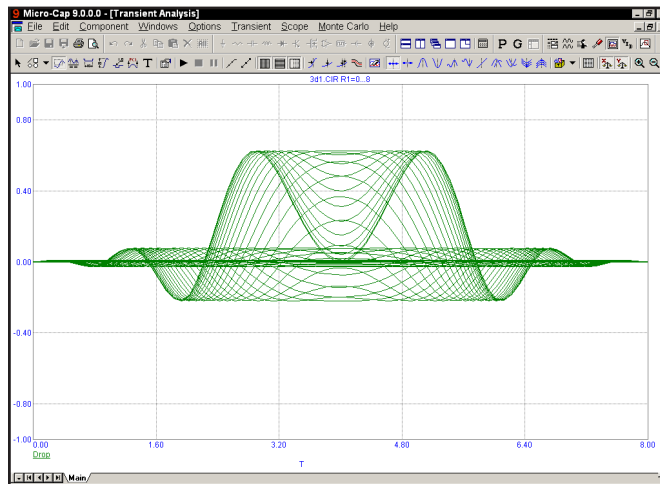


Figure 20-4 The 2D analysis plot of Drop

The plot shows the value of the variable Drop, with T varying from 0 to 8 and R(R1) varying from 0 to 8. There are 81 runs $(1+8.0/0.1)$.

Select the **Show Drop vs. T vs. R1** item from the **3D Windows** item from the **Transient** menu. This plots the value of the symbolic variable, Drop, along the Y axis, vs. T along the X axis, vs. R(R1) along the Z axis like this:

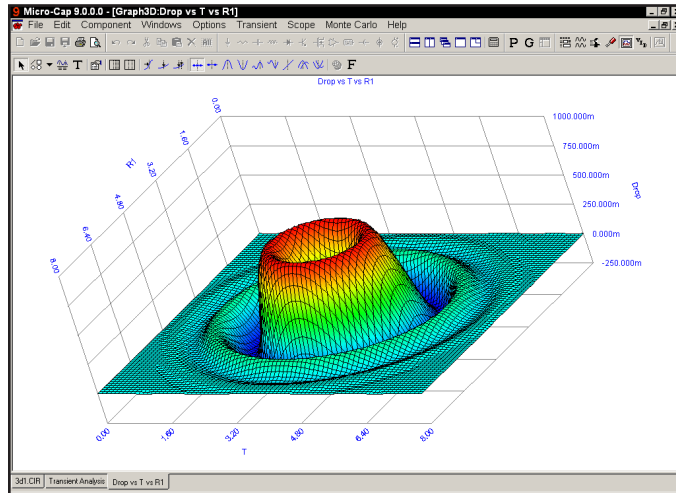


Figure 20-5 The 3D plot of Drop

In this case, we stepped only one variable R(R1). During the run, MC9 calculated 81 values of R(R1), the Z axis variable, and a little more than 81 values of T, the X axis variable, for each of the 81 values of R(R1). For each of these approximately 6600 values, it calculated the value of the Drop function.

When a 3D plot is requested, MC9 *interpolates* the specified number of data points from the simulation run at equally spaced values. It then produces a 3D plot where the intersection of the X and Z isolines mark the interpolated data points. The patches between the grid lines are colored according to the value at the adjacent isoline. The color used (color spectrum, gray, clear, etc.) is specified in the 3D Plot Properties dialog box.

The Properties dialog box for 3D plots

When you add or change a 3D graph you employ its properties dialog box. To see what it looks like press F10. The Plot panel of the dialog box looks like this:

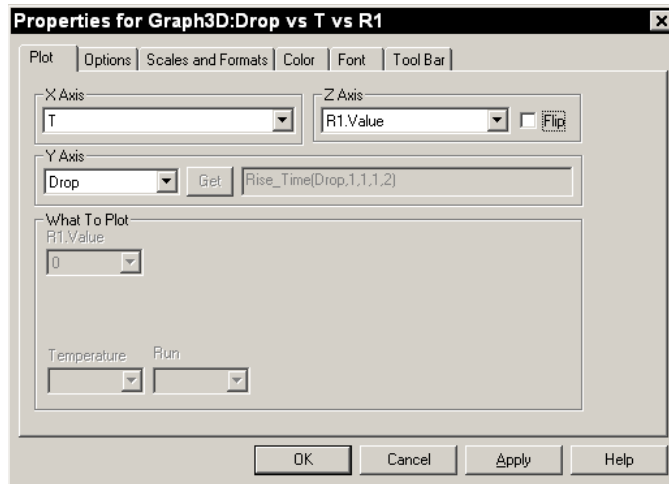


Figure 20-6 The Plot panel of the 3D dialog box

The dialog box controls all aspects of the 3D graph. The command buttons at the bottom access the principal features of the graph:

OK: This accepts any changes made and exits the dialog box.

Cancel: This ignores any changes made and exits the dialog box.

Apply: This redraws the plot behind the dialog box using the current settings so you can see what the settings look like before committing to them.

Help: This accesses the Help system.

There are six panels:

Plot: This button accesses the main plot features of the 3D graph. In particular it includes these items:

X Axis: This lists the variables available for plotting along the X axis. If "Performance" is selected from the Y Axis list below, the X axis list will show all stepped variables except the one already selected for the Z axis. Otherwise, this list will include only the unique X expressions from the Analysis Limits dialog box. Typically these include T (Time), F (Frequency), or the DC sweep variable.

Z Axis: This lists the variables available for plotting along the Z axis. These include any stepped variable not already selected for the X axis.

The Flip option flips the Z-axis scale, plotting from High to Low, instead of Low to High.

Y Axis: This field lists the options available for plotting along the Y axis. It includes each of the plotted Y expressions and, if at least two items have been stepped, it includes a "Performance" item. Selecting this item enables the adjacent Get button which is then used to select a function to plot. The choice of Y axis variable constrains the choice of variables for the X and Z axes.

- If "Performance" is selected, the X Axis variable must be one of the stepped variables.
- If one of the plotted Y expressions is selected, the X Axis variable must be its associated X expression. For example, if one of the Y expressions was V(1) and its X expression was T, then selecting V(1) for the 3D Y axis forces the choice of T for the 3D X axis.

What to Plot:

These lists show excess stepped variables not already selected as axis variables. If a variable is not being used as an axis variable, you can select which of its stepped values you want to plot. Each value produces a different 3D surface plot.

Temperature:

If more than one temperature has been run, and temperature is not being used as an axis variable, this field lets you select which run to plot.

Run: If Accumulate Plots is enabled, this lets you select the run number you wish to use. The run number is simply a numeric index of each new run created by edits while in dynamic edit mode.

Options: This button accesses items which control the existence, quantity, or content of certain graph features. It looks like this:

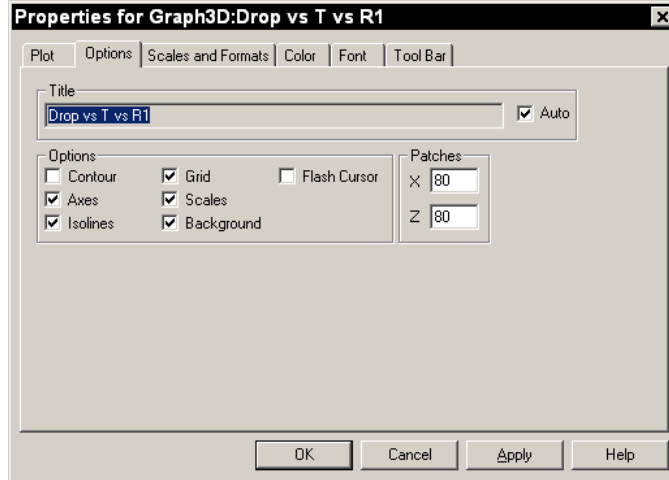


Figure 20-7 The Options panel of the 3D dialog box

Title: This is the title of the 3D plot. The initial title is always of a form that reflects the names of the axis variables. Its format is "Y axis variable vs. X axis variable vs. Z axis variable". You can edit this field to change the title text if Auto is disabled. However, if the Auto field is enabled, the title will automatically revert to the axis name form as changes are made to axis variable names.

Options: These items control the existence of certain graph features:

Contour: This option plots a 2D contour of the Y axis variable.

Axes: If enabled, this option adds the three axes, X, Y, and Z. Note that the axes are colinear with the grid, so to see the effect of this feature, the Grid feature must be disabled.

Isolines: This option draws isolines on the plot along which X and Z are constant. The intersection of these lines comprise the boundaries of the colored surface patches of the 3D plot.

Grid: This option draws parallel grid lines in each coordinate plane to delineate equal fractional parts of the scale.

Scales: This option draws numeric scales along each axis.

Background: This option paints the three coordinate planes clear when disabled, regardless of their color settings.

Flash Cursor: This option flashes the two numeric cursors for easier visibility.

Patches:

X: This controls the number of patches along the X axis. This number defaults to 40. It may be as high as you wish, but remember, the number of total patches is equal to the product of the number of X and Z patches. Picking 40 for each axis requires $40 \times 40 = 1600$ patches. Picking 1000 for each axis requires $1000 \times 1000 = 1,000,000$ patches. Each patch must be processed through a set of 3D trigonometric transforms. These take time to calculate and slow down the drawing. Also, with more than 200 patches the surface is covered with isolines spaced so close it's hard to see the surface, so limit this value to 20 to 200.

Z: This controls the number of patches along the Z axis. The same considerations as for the X axis apply here as well.

Scales and Formats: This panel accesses the numeric format features of the 3D graph. Its options are shown below:

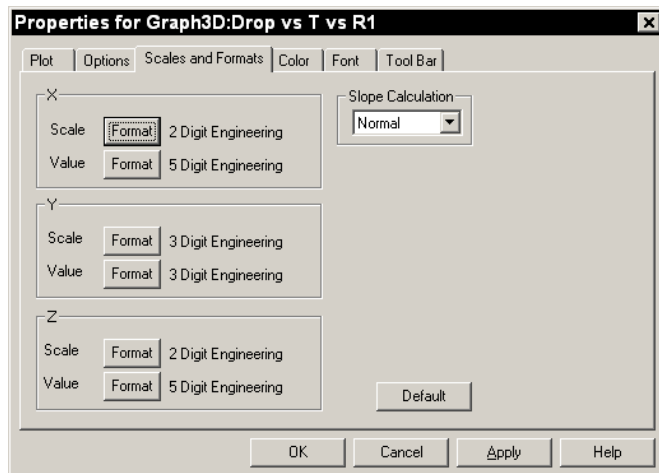


Figure 20-8 The Scales and Format panel

For each of the three axes, X, Y, and Z, you can control the Scale and Value numeric format.

Scale Format: This is the numeric format used to print the axis scale.

Value Format: This numeric format is used to print the curve's X, Y, and Z values in the table below the plot in Cursor mode. Its format is the same as the scale format described above.

- **Slope Calculation:** This lets you select among three forms of slope calculation: Normal, dB/Octave, and dB/Decade.

Color: This panel accesses the color features. The panel looks like this:

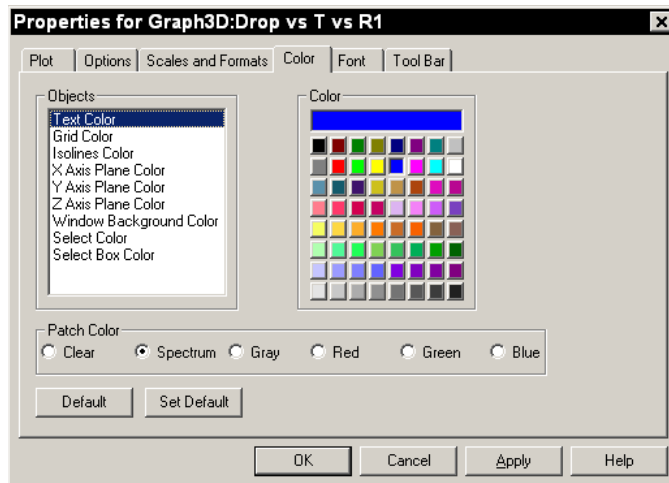


Figure 20-9 The Color panel of the 3D dialog box

This panel lets you control the color of the following features:

Objects: This group includes the color of the grid, text, isolines, X, Y, and Z axis planes, and the window background. To change an object's color, first select it, then select a new color from the palette.

Patch Color: This panel lets you control the color of the patches that comprise the 3D surface. You can choose from:

- **Clear:** This option leaves the patches transparent, producing what looks like a wire mesh if the Isolines option is enabled, or no plot at all if it isn't enabled.

- **Spectrum:** This option colors the patches with the colors of the spectrum ranging from blue for the lowest values to red for the largest values.
- **Gray:** This option colors the patches with shades of gray that range from black for the low values to white for the high values.
- **Red:** This option colors the patches with shades of red that range from dark red for the low values to light red for the high values.
- **Green:** This option colors the patches with shades of green that range from dark green for the low values to light green for the high values.
- **Blue:** This option colors the patches with shades of blue that range from dark blue for the low values to light blue for the high values.

- **Font**


This standard panel lets you select font, style, size, and effects for all of the text used in the 3D plot.

- **Tool Bar**

This standard panel lets you select the buttons that will appear in the local tool bar of the 3D window.

To add a 3D plot window, select **Transient / 3D Windows / Add 3D Window**. This displays a new 3D Properties dialog box and lets you select the desired plot features.

Cursor mode in 3D

As with normal 2D plots, a Cursor mode is available to numerically examine the 3D plot. Press F8 or click on the Cursor mode  button. The 3D plot will now look like this:

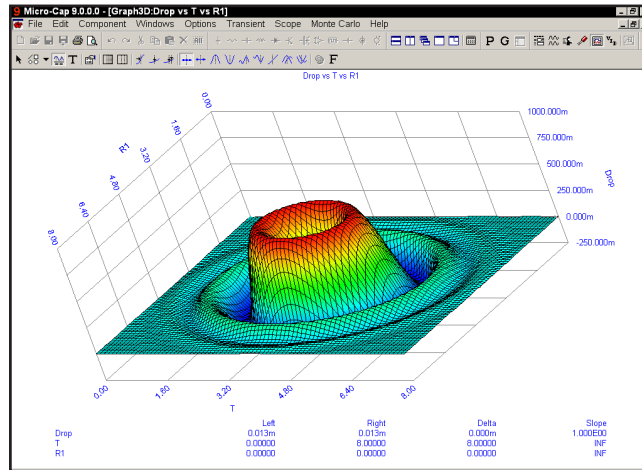


Figure 20-10 The 3D plot in Cursor mode

Click the mouse somewhere near the middle of the 3D surface plot. A cursor should appear. Press the LEFT ARROW key several times. Press the RIGHT ARROW key several times. Notice that the cursor selects a changing set of X axis, or T, values, but moves along a grid of constant Z axis, or R(R1), value.

Press the DOWN ARROW key several times. Press the UP ARROW key several times. Notice that the cursor selects a changing set of Z axis, or R(R1), values, but moves along a grid of constant X axis, or T, value.

All of the usual Cursor function modes are available. In particular the Next, Peak, Valley, High, Low, Inflection, Global High, Global Low, Go to X, Go to Y, and Go to Performance modes are available. For example, click on the Peak button. Press the RIGHT ARROW cursor key several times. The left numeric cursor is placed on each successive peak of the constant Z, or R(R1), curve.

3D Performance functions

To illustrate how to select performance functions for 3D plotting, load the file 3D2. Select **AC** from the **Analysis** menu. Press F2 to start the runs. The runs look like this:

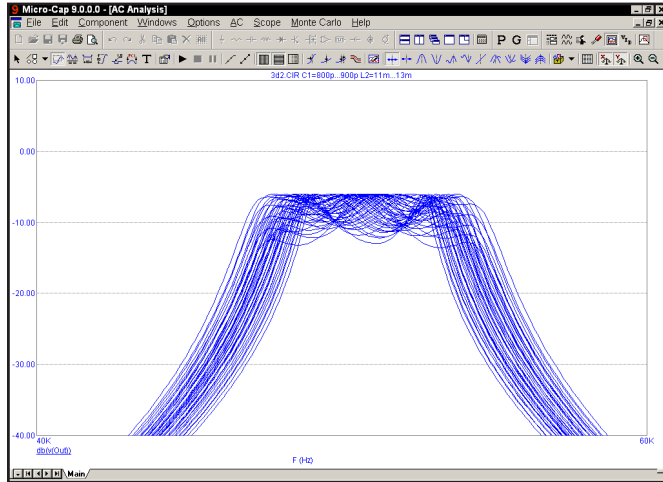


Figure 20-11 The 3D2 runs

Select **AC / Show 3D Windows / Width...** This produces the following plot:

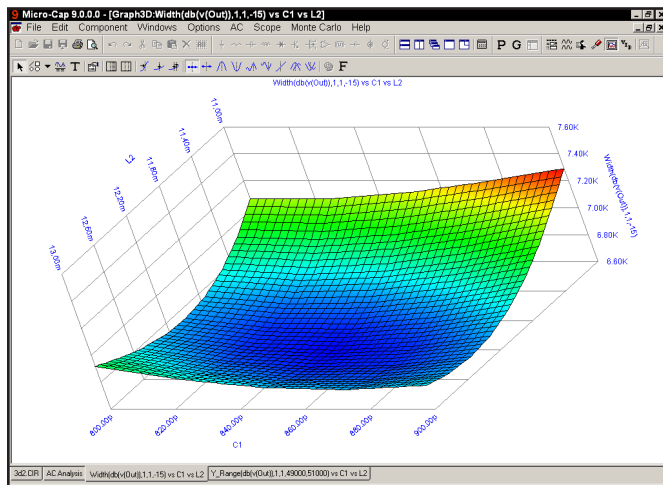


Figure 20-12 The plot of Width vs. L2 and C1

Here we have plotted the Width performance function:

`Width(db(v(Out)),1,1,-15)`

This performance function measures the width of the $\text{db}(V(\text{Out}))$ function at a Boolean of 1 (always true), first instance, at the Y value of -15. This effectively measures the -15dB bandwidth of the bandpass filter.

The value of L2 is stepped from 11mh to 13mh, in steps of .25mh, while stepping C1 from 800pF to 900pF in steps of 25pF. This produces $9*5$, or 45 runs. The width is measured for each of these runs and the 3D graph plots the value of the Width function vs. the C1 value along the X axis and the L2 value along the Z axis. The plot shows how the filter bandwidth varies with C1 and L2.

Select **AC / Show *3D Windows / Y_Range()**. This produces the following plot:

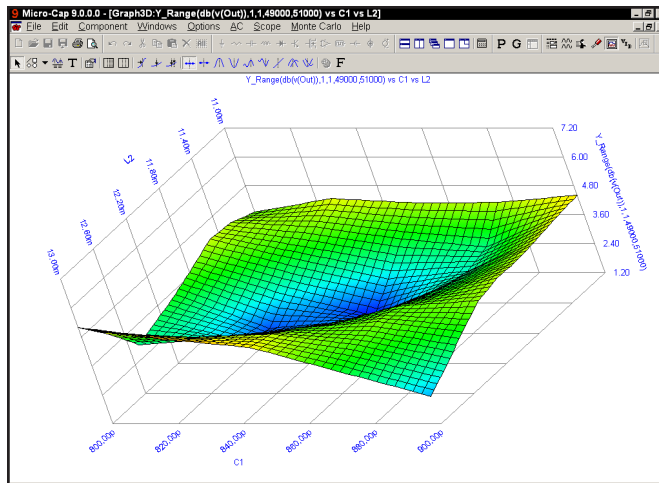


Figure 20-13 The plot of Y_Range vs. L1 and C2

Here we've plotted the Y_Range performance function:

`Y_Range(db(v(Out)),1,1,49000,51000)`

This performance function measures the variation of the $\text{db}(V(\text{Out}))$ function at a Boolean of 1 (always true), first instance, over the X range of 49KHz to 51KHz. This effectively measures the passband ripple of the filter.

Changing the plot orientation

The orientation of the 3D plot can be changed in several ways:

- By dragging the graph with the *right* mouse button.
- By using the keyboard
 - **Q**: Rotates the plot clockwise about the X axis.
 - **A**: Rotates the plot counter clockwise about the X axis.
 - **W**: Rotates the plot clockwise about the Y axis.
 - **S**: Rotates the plot counter clockwise about the Y axis.
 - **E**: Rotates the plot clockwise about the Z axis.
 - **D**: Rotates the plot counter clockwise about the Z axis.
 - **X**: View from perpendicular to the $X=0$ plane.
 - **Y**: View from perpendicular to the $Y=0$ plane.
 - **Z**: View from perpendicular to the $Z=0$ plane.
 - **CTRL + HOME**: Standard view orientation.
 - **C**: Toggles between contour and 3D view.

Scaling in 3D

The choice of scaling is determined entirely by the range of axis variables. There is no user control of scaling.

What's in this chapter

This chapter describes the 46 macro circuit files provided with the MC9 package. Most have numeric parameters that allow the macro function to be adapted to particular circuit uses. Here is the complete list of the macro parts.

- Absolute value (full wave rectifier) function (ABS)
- Amplitude modulator (AM)
- Amplifier (AMP)
- Center-tapped transformer (CENTAP)
- Limiter circuit (CLIP)
- Comparator (COMPARATOR)
- Delay (DELAY)
- Diac (DIAC)
- Differentiator (DIF)
- Digital potentiometer (DIGPOT)
- Divider (DIV)
- Linear transfer function (F)
- Frequency-shift keyer (FSK)
- Gyrator for impedance transformation (GYRATOR)
- Ideal 2-port transformer (IDEAL_TRANS2)
- Ideal 3-port transformer (IDEAL_TRANS3)
- Integrator (INT)
- Integrator with reset (INT_RESET)
- Monostable (MONOSTABLE)
- Two-input weighted multiplier (MUL)
- Time domain noise source (NOISE)
- Photodiode (PHOTODIODE)
- Photodiode_r (PHOTODIODE_R)
- Potentiometer (POT)
- Phase-shift keyer (PSK)
- Programmable Unijunction Transistor (PUT)
- Pulse width modulator with a T flip-flop(PWM_T)
- Pulse width modulator without a T flip-flop(PWM_NT)

- Simple relay model (RELAY1)
- State-variable relay model (RELAY2)
- Resonant circuit (RESONANT)
- Schmitt trigger circuit (SCHMITT)
- Silicon-controlled rectifier (SCR)
- Slip or hysteresis function (SLIP)
- Snubber (SNUBBER)
- Spark gap device (SPARKGAP)
- Two-input weighted subtracter (SUB)
- Two-input weighted summer (SUM)
- Three-input weighted summer (SUM3)
- Triac (TRIAC)
- Trigger (TRIGGER6)
- Triode vacuum tube model (TRIODE)
- Voltage-controlled oscillator (VCO)
- Wideband transformer (WIDEBAND)
- Crystal model (XTAL)
- 555 Timer (555)

ABS

Sometimes referred to as a full-wave rectifier, the ABS block provides the absolute value of the input signal. Its definition is:

$$V_{Out}(t) = |V_{In}(t)|$$

The function is implemented with the ABS macro:

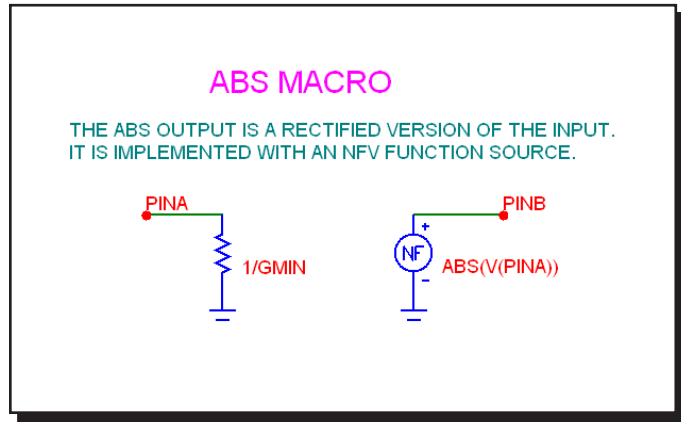


Figure 21-1 ABS macro circuit

There are no input parameters. This implementation uses an NFV Function source to provide the absolute value function. The macro block mainly serves to provide a more suitable symbol than the general source symbol of the NFV Function source.

See the circuit SYSTEM2 for an example of the use of this macro.

AM

This block provides an amplitude modulation function implemented as follows

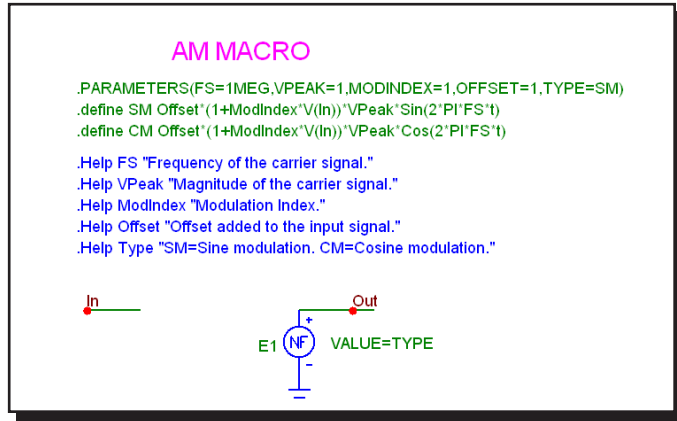


Figure 21-2 AM macro circuit

The device consists of a single NFV source whose VALUE attribute is selected by the TYPE parameter which can be one of two values, SM or CM. These two symbolic variables SM and CM are defined as follows:

```
.define SM Offset*(1+ModIndex*V(In))*VPeak*Sin(2*PI*FS*t)
.define CM Offset*(1+ModIndex*V(In))*VPeak*Cos(2*PI*FS*t)
```

Parameter	Definition
FS	Frequency of the carrier signal
VPEAK	Magnitude of the carrier signal
MODINDEX	Modulation Index
OFFSET	Offset added to the input signal
TYPE	Modulation type. SM=Sine modulation. CM=Cosine modulation

See the circuit AMTEST1.CIR for an example of how to use this macro.

AMP

This block provides a simple linear amplifier. Its definition is:

$$V_{Out}(t) = gain V_{In}(t)$$

The function is implemented with the AMP macro:

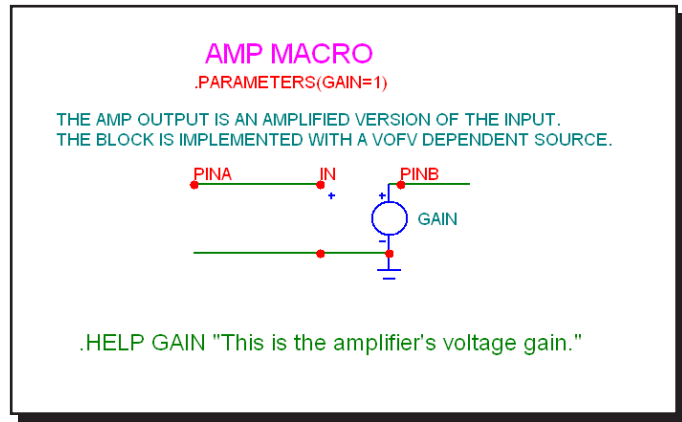


Figure 21-3 AMP macro circuit

The single input parameter, GAIN, multiplies the input to produce an amplified output. This implementation uses a simple linear dependent VOFV source. It could have been done with a Function source or a Spice poly source. In general, the simplest type of source that will perform the function is preferred.

CENTAP

The CENTAP macro is a center-tapped five terminal transformer with parameters defining the primary and two secondary inductances.

This circuit is implemented with three linear inductors and one K (coupling) device.

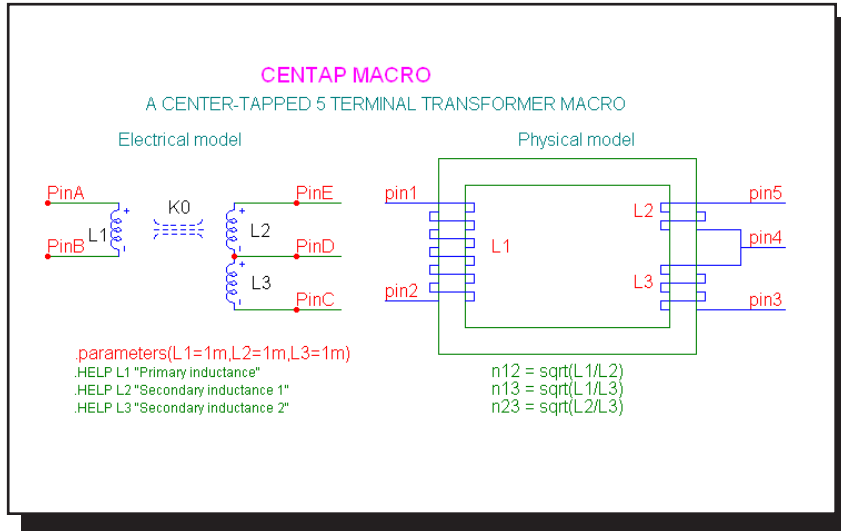


Figure 21-4 CENTAP macro circuit

Parameter	Definition
L1	Primary inductance
L2	Secondary inductance 1
L3	Secondary inductance 2

See the circuit TRANS for an example of the use of this macro.

CLIP

The clip macro can be used as a limiter, ideal OPAMP, or inverter. It provides an output that is a scaled copy of the input, but limited to the specified maximum and minimum levels.

This function is implemented with the CLIP macro:

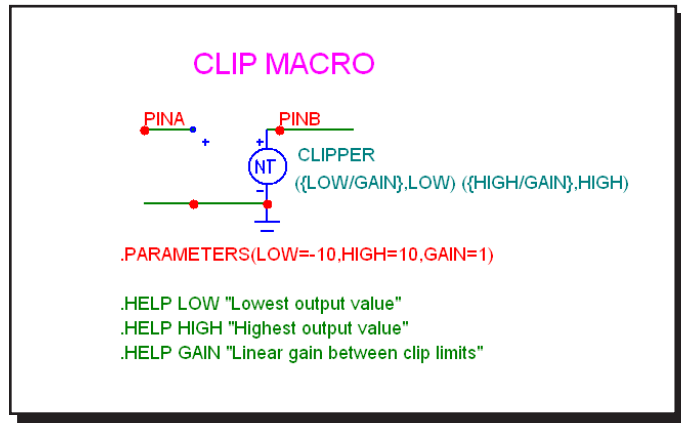


Figure 21-5 CLIP macro circuit

A pair of input parameters, LOW and HIGH, define the lowest value and highest value of the output. Between these limits, the output equals the input multiplied by the GAIN parameter. The block is constructed of a NTVOFV Function table source.

Parameter	Definition
GAIN	Linear gain between clip limits
LOW	Lowest output value
HIGH	Highest output value

See the circuit SYSTEM2 for an example of the use of this macro.

COMPARATOR

This circuit is a macro model for a comparator with hysteresis and is similar in construction to the Schmitt macro. The macro circuit looks like this:

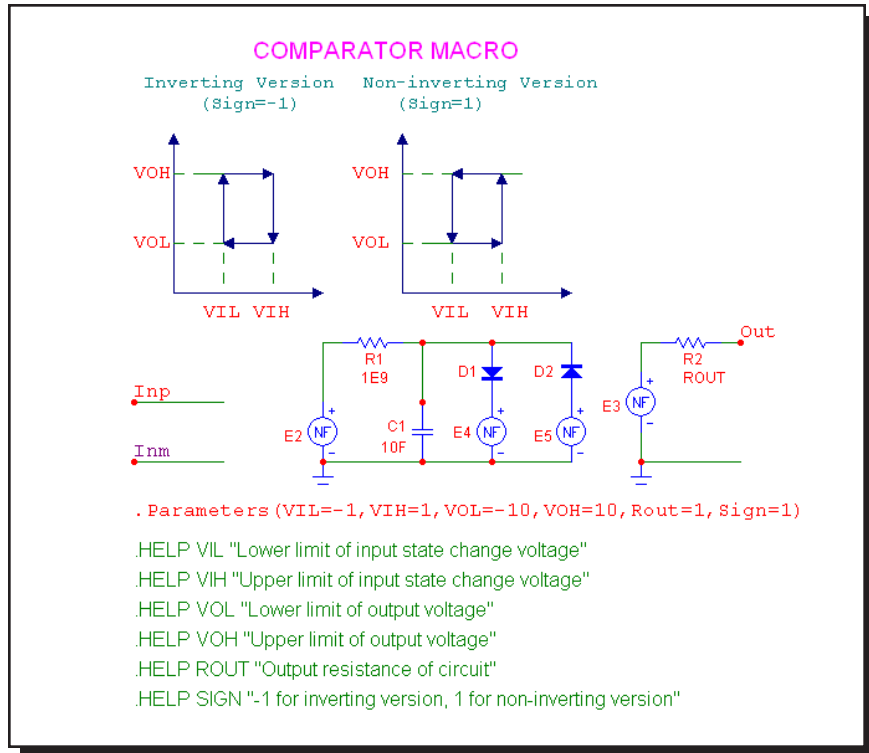


Figure 21-6 COMPARATOR macro equivalent circuit

The parameter definitions are as follows:

Parameter	Definition
VIH	Lower limit of input state change voltage
VIL	Upper limit of input state change voltage
VOH	Lower limit of output voltage
VOL	Upper limit of output voltage
ROUT	Comparator output resistance
SIGN	-1 for inverting version, 1 for non-inverting version

See the circuit COMPDEMO for an example of the use of this macro.

DELAY

The delay macro provides a programmable time delay.

$$V_{Out}(t+delay) = V_{Out}(t)$$

This function is implemented with the DELAY macro:

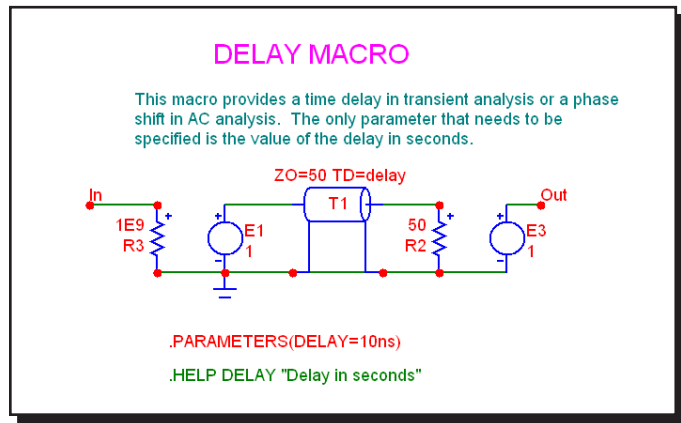


Figure 21-7 DELAY macro circuit

The single input parameter, DELAY, provides the specified time delay through a transmission line.

DIAC

The DIAC macro is based on an elaboration of the TRIAC macro and looks like this:

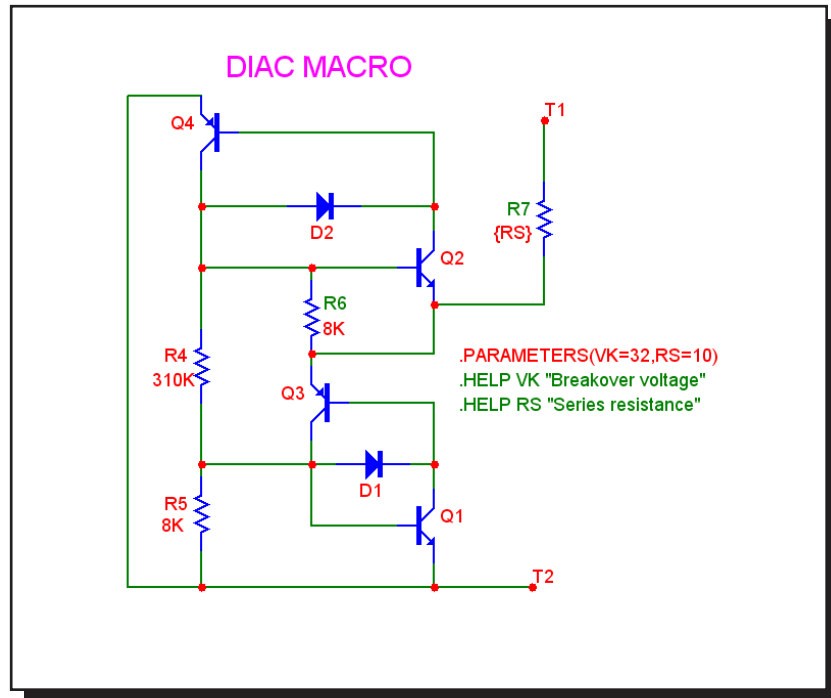


Figure 21-8 DIAC macro circuit

A pair of input parameters, RS and VK define the series impedance and the voltage at which breakover occurs.

Parameter	Definition
RS	Series resistance
VK	Breakover voltage

See the DIAC1 and DIAC2 circuits for an example of the use of this macro.

DIF

The differentiator is the inverse of the integrator. It provides an output which is a scaled version of the time derivative of the input signal:

$$V_{Out}(t) = scale \, d(V_{In}(t))/dt$$

This function is implemented with the DIF macro:

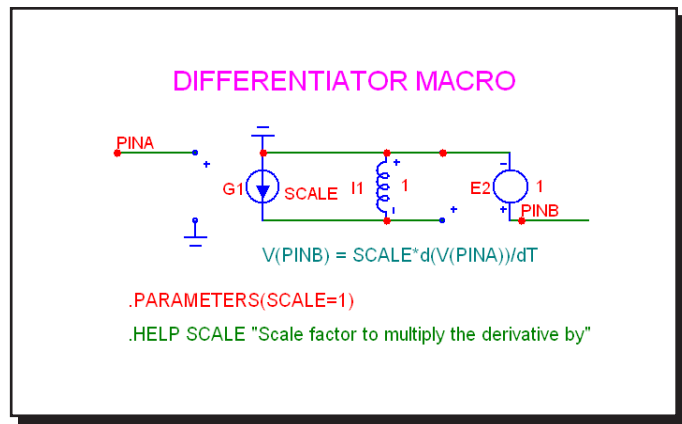


Figure 21-9 DIF macro circuit

The single input parameter, SCALE, multiplies or scales the derivative. This particular implementation has a buffered output, allowing it to drive very low impedance networks.

DIGPOT

The digital potentiometer macro is loosely based on the MAX5450-5455 series of devices from Maxim. These devices are digital potentiometers with an up/down interface consisting of two fixed resistors with 256 digitally controlled wiper contacts (taps). There are three digital inputs that determine the tap point that will be accessible to the wiper. These digital inputs are INC, CS, and U/D.

The INC input is the wiper increment control input. A high to low transition on this input increments or decrements the wiper position depending on the states of CS and U/D. The CS input is the chip select input. When this input is low, the wiper position may be changed through INC and U/D. The U/D input is the up/down control input. When this input is high, a high-to-low transition on INC increments the wiper position, and when the input is low, a high-to-low transition on INC decrements the wiper position. If the wiper is at either the high or low end of the resistor array, any increment or decrement in the direction of the endpoint will not change the wiper position, so in other words, there is no wrap around effect.

Finally, upon power-up the initial setting for the wiper is at midscale (tap 127).

This function is implemented with the DIGPOT macro:

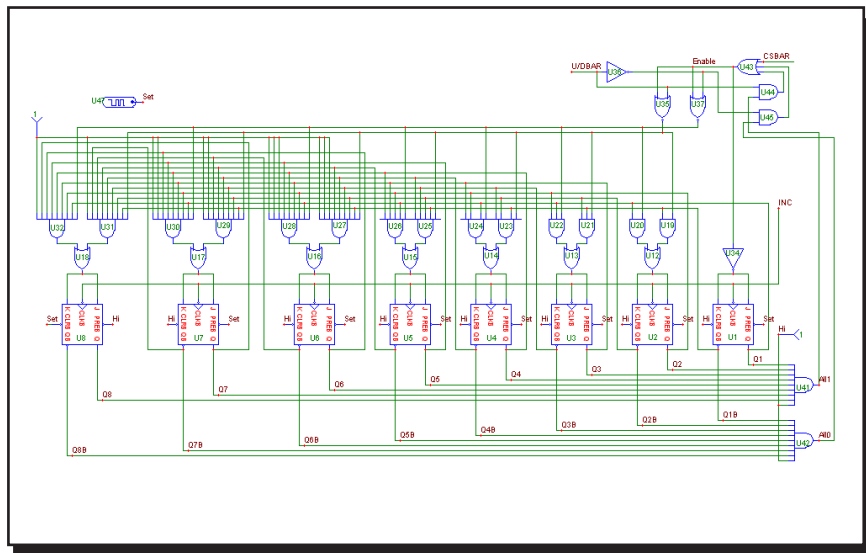


Figure 21-10 DIGPOT macro circuit

DIV

Occasionally, system blocks require a function that divides two analog signals. The desired function is:

$$V_{Out}(t) = scale V_a(t)/V_b(t)$$

This function is implemented with the DIV macro:

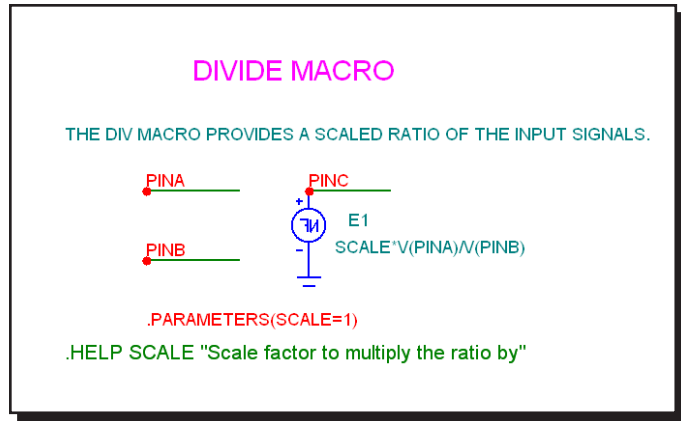


Figure 21-11 DIV macro circuit

The single input parameter passed to the macro by the calling circuit, SCALE, multiplies or scales the ratio of the two input waveforms at the output.

F

This system block merely provides a convenient shape to house a general linear transfer function, $F(S)$. It is implemented with a Laplace LFVOFV source.

$$F(s) = V_{Out}(s) / V_{In}(s)$$

This function is implemented with the F macro:

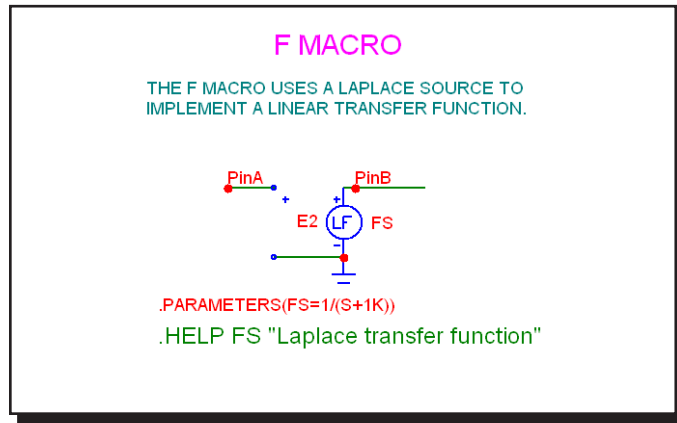


Figure 21-12 F macro circuit

The input parameter is an expression representing the complex frequency transfer function.

See the circuit SYSTEM2 for an example of the use of this macro.

FSK

This block provides a frequency-shift keyer encoder.

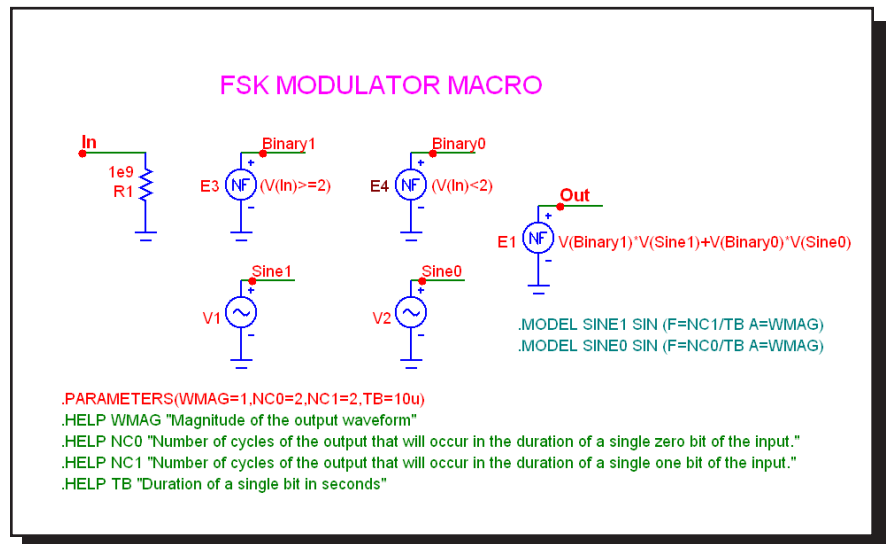


Figure 21-13 FSK macro circuit

The input parameters are as follows:

Parameter	Definition
WMAG	Magnitude of the output waveform
NC0	Number of cycles of the output waveform that will occur in the duration of a single zero bit of the input waveform
NC1	Number of cycles of the output waveform that will occur in the duration of a single one bit of the input waveform
TB	Duration of a single bit in seconds

See the circuit FSK2 for an example of the use of this macro.

GYRATOR

The gyrator can be used to scale a resistive impedance. It can also transform an inductive impedance to a capacitive impedance or a capacitive impedance to an inductive impedance.

This function is implemented with two cross-referenced linear dependent VOFI sources.

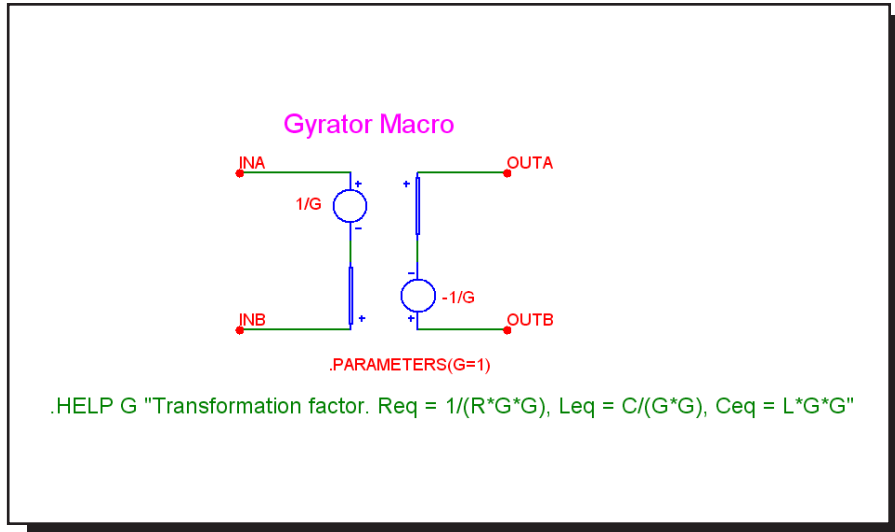


Figure 21-14 GYRATOR macro circuit

A single parameter, G , determines the impedance transformation as follows:

$$R_{eq} = 1/(R*G*G)$$

$$L_{eq} = C/(G*G)$$

$$C_{eq} = L*G*G$$

See the circuit GYRTEST for an example of the use of this macro.

IDEAL_TRANS2

This is an ideal two port transformer. It provides a fixed voltage gain.

This function is implemented with two cross-referenced linear dependent sources. The gain is constant with frequency.

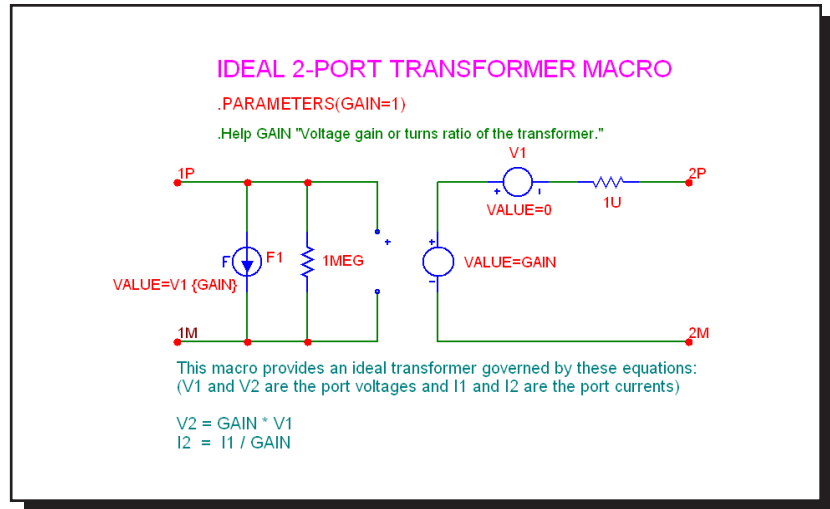


Figure 21-15 Ideal_Trans2 macro circuit

A single parameter, GAIN, determines the transformer voltage gain.

$$V_{OUT} = V_{IN} * \text{GAIN}$$

$$I_{OUT} = I_{IN} / \text{GAIN}$$

See the circuit IDEALTRANS for an example of the use of this macro.

IDEAL_TRANS3

This is an ideal three port transformer. It provides a fixed voltage gain from the input port voltage to each of the two output ports. The gains are constant with frequency.

This function is implemented with four cross-referenced linear dependent sources.

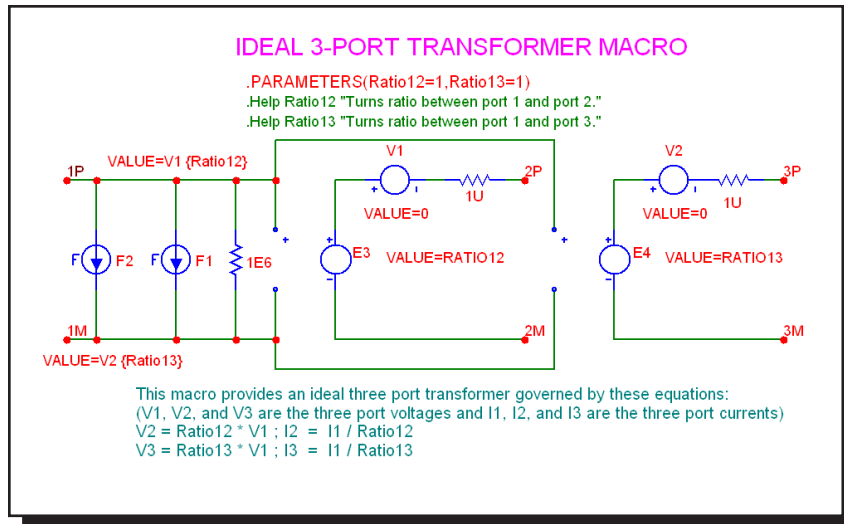


Figure 21-16 Ideal_Trans3 macro circuit

Two parameters, GAIN12 and GAIN13, determine the transformer port voltage gains.

$$\begin{aligned}V_{OUT2} &= V_{IN} * GAIN12 \\ I_{OUT2} &= I_{IN} / GAIN12\end{aligned}$$

$$\begin{aligned}V_{OUT3} &= V_{IN} * GAIN13 \\ I_{OUT3} &= I_{IN} / GAIN13\end{aligned}$$

See the circuit IDEALTRANS for an example of the use of this macro.

INT

One of the most useful functions for system modeling is the integrator. Ideally this function provides an output which is the integral of the input signal:

$$V_{\text{out}}(t) = v_{\text{init}} + \text{scale} \int V_{\text{in}}(t) dt$$

This function is implemented with the INT macro:

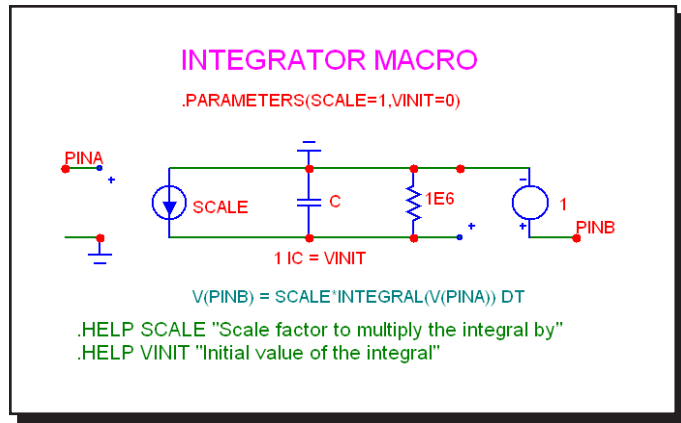


Figure 21-17 INT macro circuit

Two parameters are passed to the macro by the calling circuit: SCALE and VINIT. SCALE multiplies the integral and VINIT provides its initial value. This particular implementation has a buffered output, allowing it to drive very low impedance networks. It also has a voltage limiting resistor. The resistor keeps the output voltage finite when there is a DC voltage input. It should be large enough to avoid placing any practical limit on the frequency response.

Parameter	Definition
SCALE	Scale factor to multiply the integral by
VINIT	Initial value of the integral

See the circuit SYSTEM1 for an example of the use of this macro.

INT_RESET

This macro is similar to the INT macro but includes a reset input. It is implemented as follows:

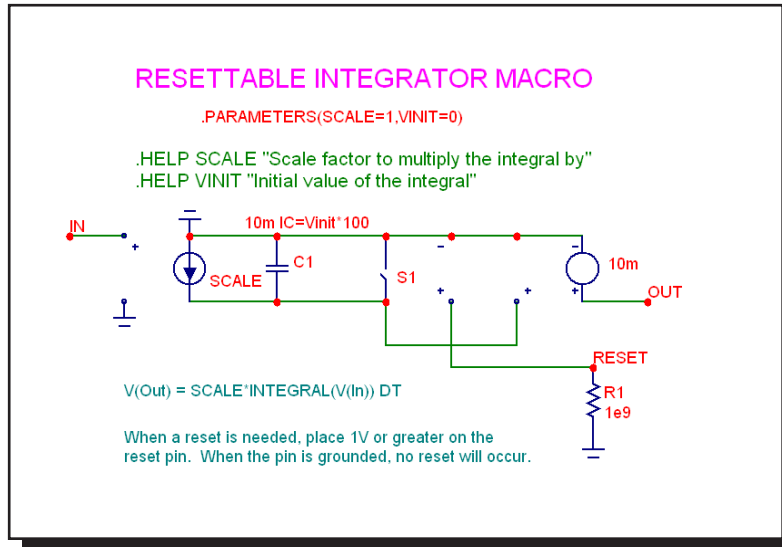


Figure 21-18 INT_RESET macro circuit

The macro uses the same parameters as its parent, the INT macro.

Parameter	Definition
SCALE	Scale factor to multiply the integral by
VINIT	Initial value of the integral

A 1 volt pulse on the Reset pin will reset the output voltage to zero. Reset is accomplished by the RON (1e-6) of the switch. The discharge time constant is set by the 1e-6 resistance of the switch and the 10mF capacitor, requiring about $10 \cdot 1e-6 \cdot 1e-2$ or 100nS for a complete discharge. Returning the Reset pin voltage to 0 volts will then allow integration to restart.

MONOSTABLE

This macro provides a monostable multivibrator function which creates a single pulse of specified duration. It is useful in switch bounce applications.

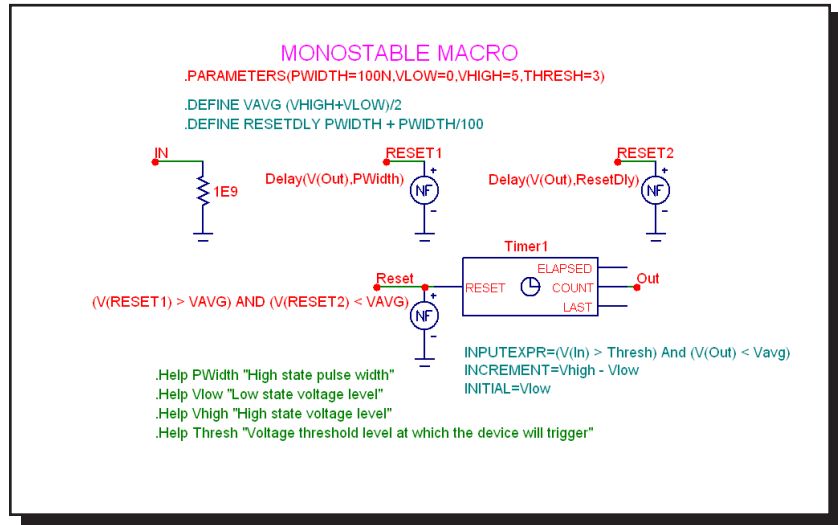


Figure 21-19 MONOSTABLE macro circuit

This macro implements a monostable multivibrator using the Timer component and several function sources. Its parameters are:

Parameter	Definition
PWIDTH	High state pulse width
VLOW	Low state voltage level
VHIGH	High state voltage level
THRESH	Voltage threshold level at which the device will trigger

See the circuit MONOSTABLE_TEST.CIR for an example of the use of this macro.

MUL

Phase detectors and other system blocks require a function that multiplies two analog signals. The desired function is:

$$V_{Out}(t) = scale V_a(t) V_b(t)$$

This function is implemented with the MUL macro:

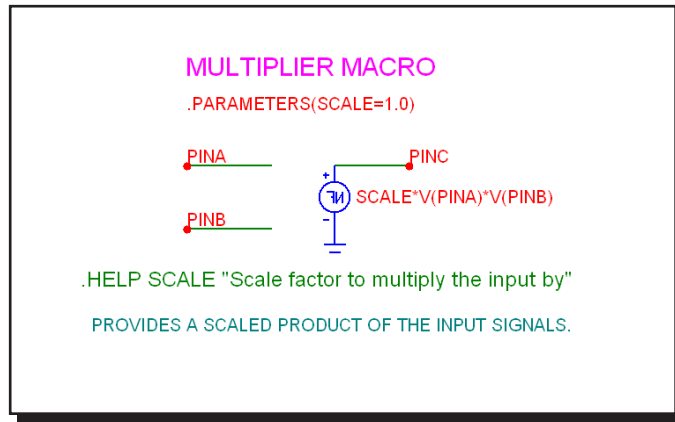


Figure 21-20 MUL macro circuit

The single input parameter passed to the macro by the calling circuit, SCALE, multiplies the product of the two input waveforms. The scaled product is provided at the output. This implementation is done with an NFV function source.

Parameter	Definition
SCALE	Scale factor to multiply the input by

NOISE

This macro implements a random noise generator to produce a noisy time-domain waveform.

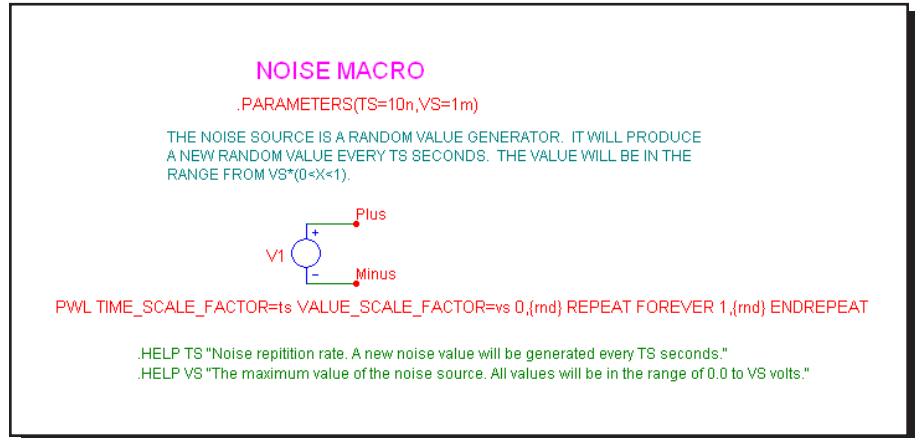


Figure 21-21 NOISE macro circuit

The parameter definitions are as follows:

Parameter	Definition
TS	Noise repetition rate. A new noise value is generated every TS seconds.
VS	The maximum value of the noise source. All values will be in the range of 0.0 to VS volts.

PHOTODIODE

The model consists of a diode paralleled by a voltage-controlled current source, G1. The source creates the light current in the junction under control of the voltage at the IN pin. The voltage on this pin is an analog for the optical power in watts incident on the detector.

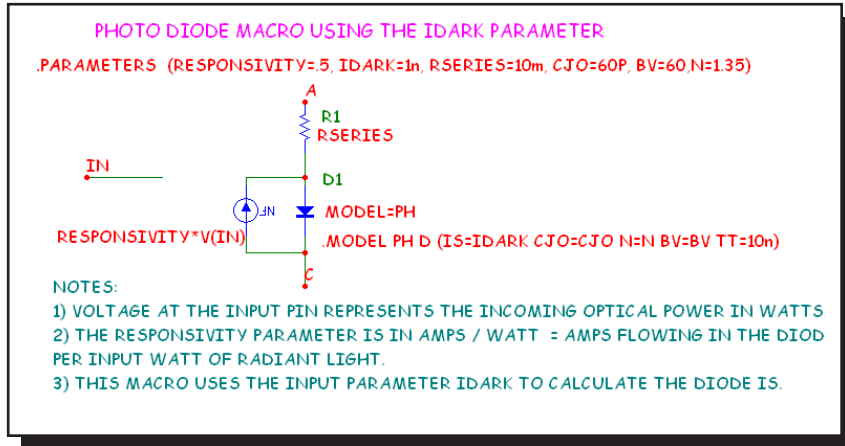


Figure 21-22 PHOTODIODE macro circuit

Parameter	Definition
RESPONSIVITY	Sensitivity expressed in units of amps per watt. The exact units do not matter so long as the control voltage pin produces the expected current, $I = \text{RESPONSIVITY} * V(\text{IN})$.
IDARK	Current that flows across the junction when the diode is reverse biased and there is no illumination. In this model, the diode IS value parameter is set equal to IDARK.
RSERIES	Value of a resistor in series with the diode.
CJO	Junction capacitance of the photo diode
BV	Junction breakdown voltage
N	Diode emission coefficient. It mainly affects the slope of the dark current vs. temperature curve.

PHOTODIODE_R

This macro is similar to the PHOTODIODE macro except that RSHUNT is entered instead of IDARK. Some manufacturers provide both values. If the photo diode is to be operated in photoconductive mode, where the diode is reverse biased, then use the PHOTODIODE macro since accuracy of the IDARK value is more important. If the photo diode is to be operated in photovoltaic mode, where the diode operates near zero bias, then use the second model since accuracy of the RSHUNT value is more important.

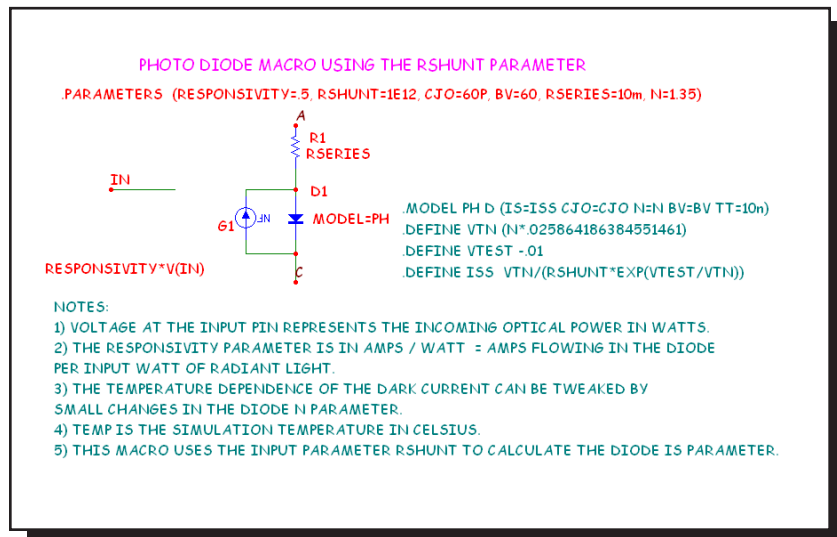


Figure 21-23 PHOTODIODE_R macro circuit

Parameter	Definition
RESPONSIVITY	Sensitivity expressed in units of amps per watt. The exact units do not matter so long as the control voltage pin produces the expected current, $I = \text{RESPONSIVITY} * V(\text{IN})$.
RSHUNT	Incremental resistance of the diode near zero bias
RSERIES	Value of a resistor in series with the diode.
CJO	Junction capacitance of the photo diode
BV	Junction breakdown voltage
N	Diode emission coefficient. It mainly affects the slope of the dark current vs. temperature curve.

POT

This macro implements a potentiometer using several resistor value expressions. The two parameters determine the initial pot setting. Percent is in % so 70% would be given as 70 and not .70.

To sweep the pot wiper arm, step the Value field of the macro resistor R1 from the Stepping dialog box. The stepped value will override the default percent parameter. See POTDEMO.CIR for an example.

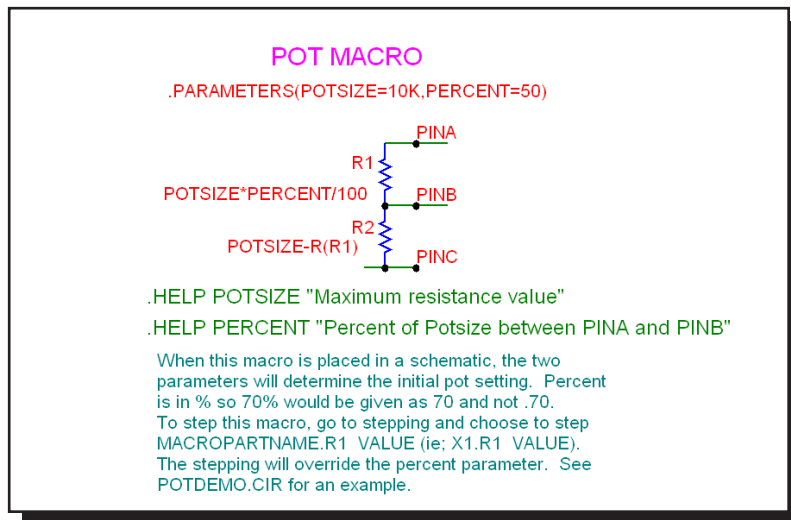


Figure 21-20 POT macro circuit

The parameter definitions are as follows:

Parameter	Definition
Potsize	Maximum resistance value
Percent	Percent of Potsize between PINA and PINB

See the circuit POTDEMO for an example of the use of this macro.

PSK

This is a phase-shift keyer.

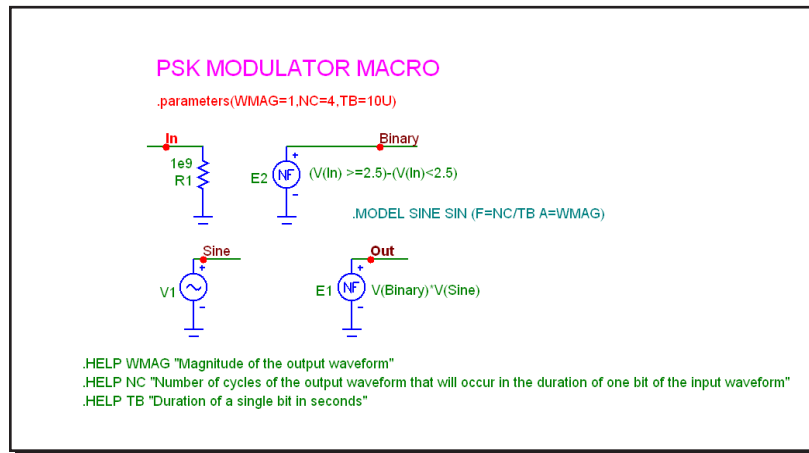


Figure 21-21 PSK macro circuit

The parameter definitions are as follows:

Parameter	Definition
WMAG	Magnitude of the output waveform
NC	Number of cycles of the output waveform that will occur in the duration of one bit of the input waveform
TB	Duration of a single bit in seconds

See the circuit PSK2 for an example of the use of this macro.

PUT

This circuit is a macro model for a PUT, a Programmable Unijunction Transistor. The macro equivalent circuit is as follows:

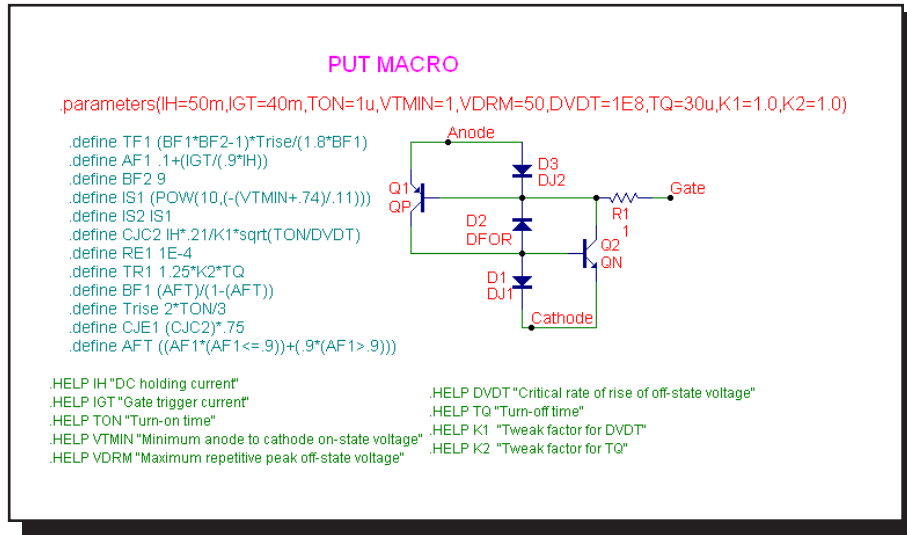


Figure 21-22 PUT macro circuit

The parameter definitions are as follows:

Parameter	Definition
IH	DC holding current
IGT	Gate trigger current
TON	Turn-on time
VTMIN	Minimum anode to cathode on-state voltage
VDRM	Maximum repetitive peak off-state voltage
DVDT	Critical rate of rise of off-state voltage
TQ	Turn-off time
K1	Tweak factor for DVDT
K2	Tweak factor for TQ

See the circuit THY1 for an example of the use of this macro.

PWM_T and PWM_NT

The macro circuit is based upon the March 7, 2002 EDN article, “Modular macromodeling techniques for SPICE simulators”, which featured a very workable model for the UC1845 pulse width modulator. We have implemented the model in Micro-Cap and expanded it to model the full line of UCX84X PWMs. This macro is the version with an integral T flip-flop. Its schematic looks like this:

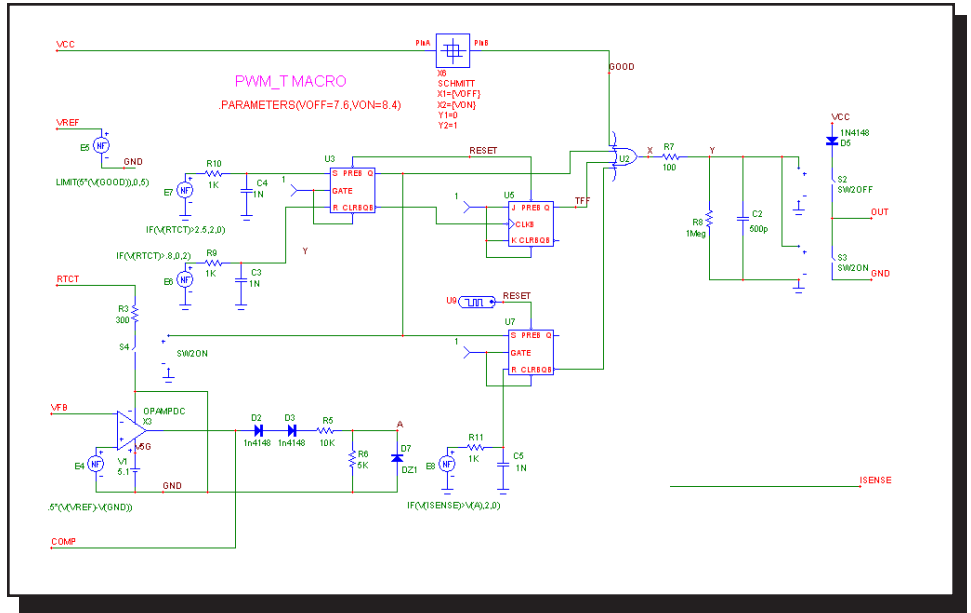


Figure 21-23 PWM_T macro circuit

The PWM_NT macro is the same circuit without the T flip flop.

The parameter definitions are as follows:

Parameter	Definition
VOFF	VDD voltage at which regulation ceases
VON	VDD voltage at which regulation begins

See the circuit UC1845_BOOST circuit for an example of the use of this macro.

RELAY1

This relay model includes a user-specified coil resistance and inductance. The coil current is sensed and converted to a voltage by H1 which drives a Schmitt macro to provide hysteresis between the ION and IHOLD currents. The output of the Schmitt drives a standard voltage controlled switch S1.

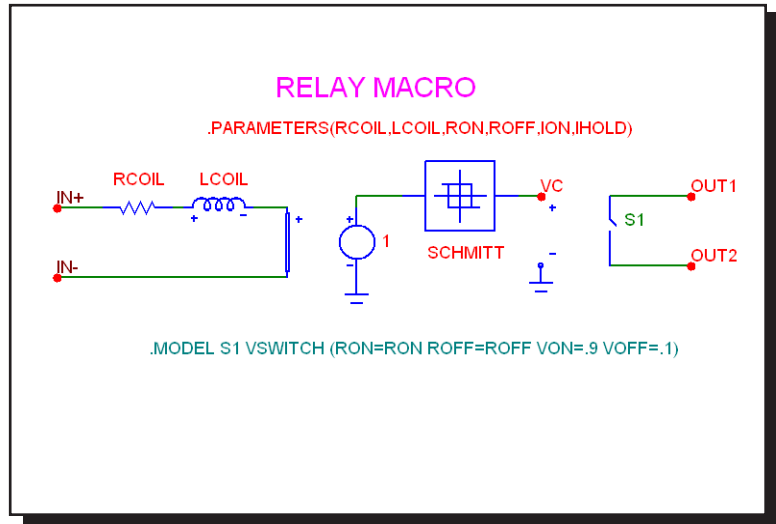


Figure 21-24 RELAY1 macro circuit

The parameter definitions are as follows:

Parameter	Definition
RCOIL	Resistance of the relay coil
LCOIL	Inductance of the relay coil
RON	Closed resistance of the output switch
ROFF	Open resistance of the output switch
ION	Input current required to close the relay contacts
IOFF	Input current required to hold the relay contacts closed

See the circuit RELAY for an example of the use of this macro.

RELAY2

This relay model includes a flux circuit and derives a magnetizing force from the flux. It then algebraically sums the magnetizing, stop, friction and restoring spring forces acting on the relay plunger to arrive at a net force which is integrated once to get the plunger velocity and again to get the plunger position. This plunger position directly controls the switch contacts.

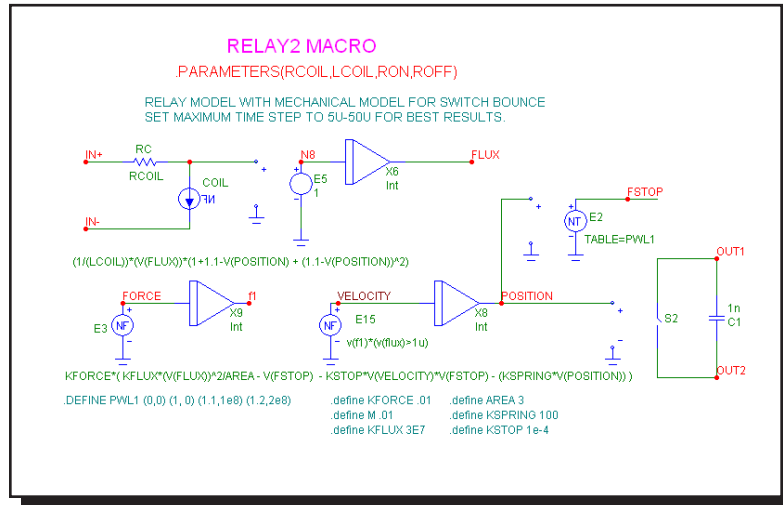


Figure 21-25 RELAY2 macro circuit

The parameter definitions are as follows:

Parameter	Definition
RCOIL	Resistance of the relay coil
LCOIL	Inductance of the relay coil
RON	Closed resistance of the output switch
ROFF	Open resistance of the output switch

See the circuit RELAY for an example of the use of this macro.

RESONANT

This macro implements a resonant circuit with a resistor, capacitor, and inductor. The L value is entered as an input parameter, LIN. The C value is computed from the LIN and F0 input parameters. The resistor is computed from all three input parameters. The implementation is as follows:

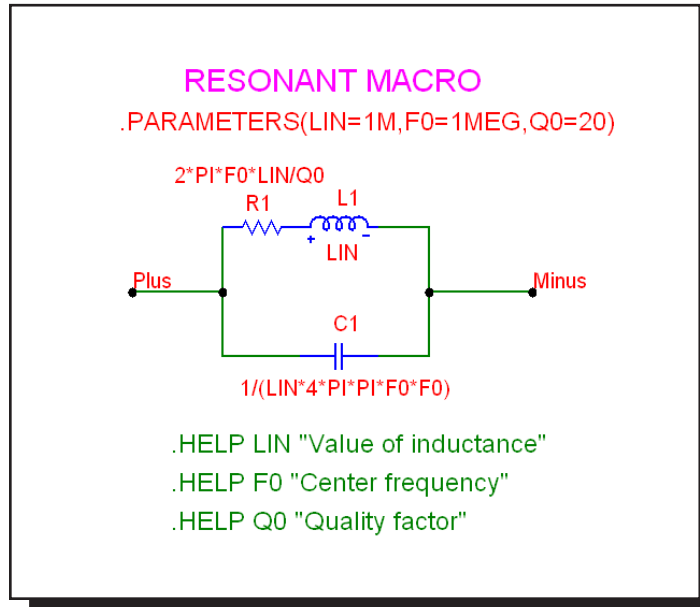


Figure 21-26 RESONANT macro circuit

The parameter definitions are as follows:

Parameter	Definition
LIN	Value of inductance
F0	Center frequency
Q0	Quality factor

SCHMITT

This circuit is a macro model for a Schmitt trigger, a circuit with a large number of uses, including noise filtering, hysteresis, and level shifting. The circuit looks like this:

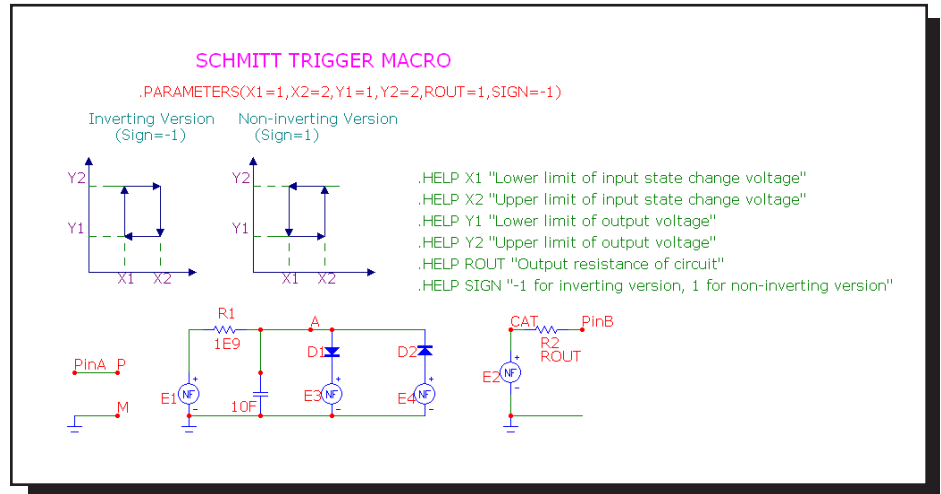


Figure 21-27 SCHMITT macro circuit

The parameter definitions are as follows:

Parameter	Definition
X1	Lower limit of input state change voltage
X2	Upper limit of input state change voltage
Y1	Lower limit of output voltage
Y2	Upper limit of output voltage
ROUT	Output Resistance of circuit
SIGN	-1 for inverting version, 1 for non-inverting version

See the circuit OSC1 for an example of the use of this macro.

SLIP

The SLIP macro models hysteresis, or backlash. The output is zero within the slip zone, $-DX$ to $+DX$. Outside of the hysteresis zone, the output is proportional to the input. The output is clipped to MAX .

This function is implemented with the SLIP macro:

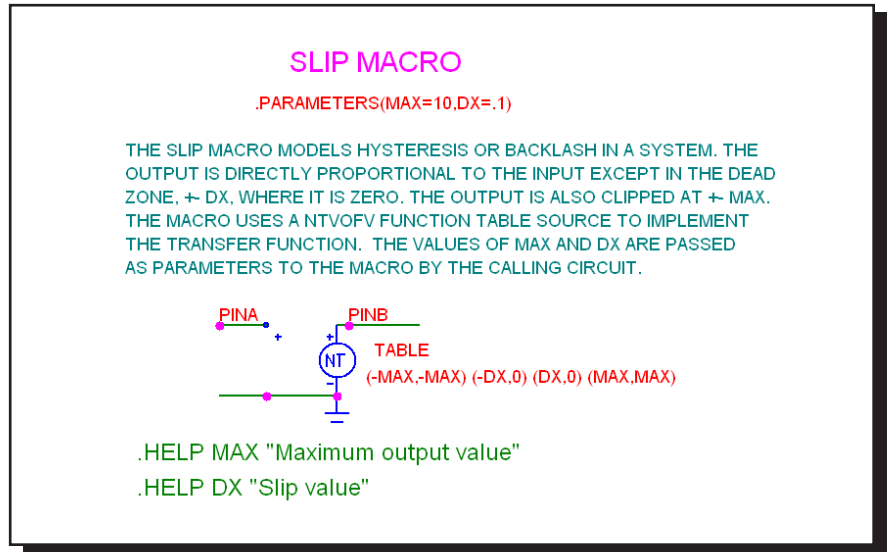


Figure 21-29 SLIP macro circuit

A pair of input parameters, DX and MAX , define the slip zone and the maximum output level. The function is constructed with an NTVOFV Function table source.

Parameter	Definition
DX	Slip value
MAX	Maximum value

See the circuit SYSTEM2 for an example of the use of this macro.

SNUBBER

The SNUBBER macro models a snubber diode.

This function is implemented with the SNUBBER macro:

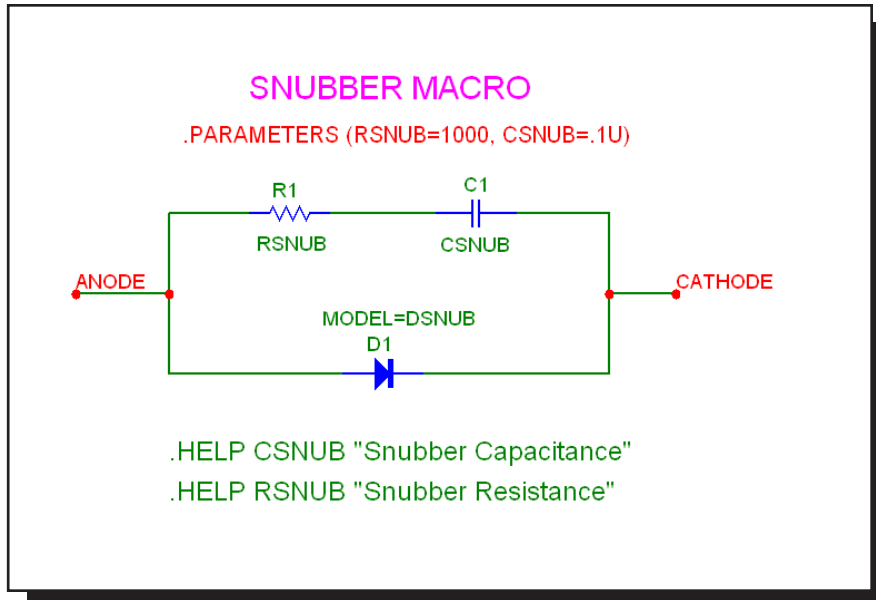


Figure 21-30 SNUBBER macro circuit

A pair of input parameters, CSNUB and RSNUB, specify the parallel RC network that provides the energy absorbing parasitics.

Parameter	Definition
CSNUB	Parallel capacitance value
RSNUB	Parallel resistance value

SPARKGAP

This is a macro circuit model for a spark gap arrestor.

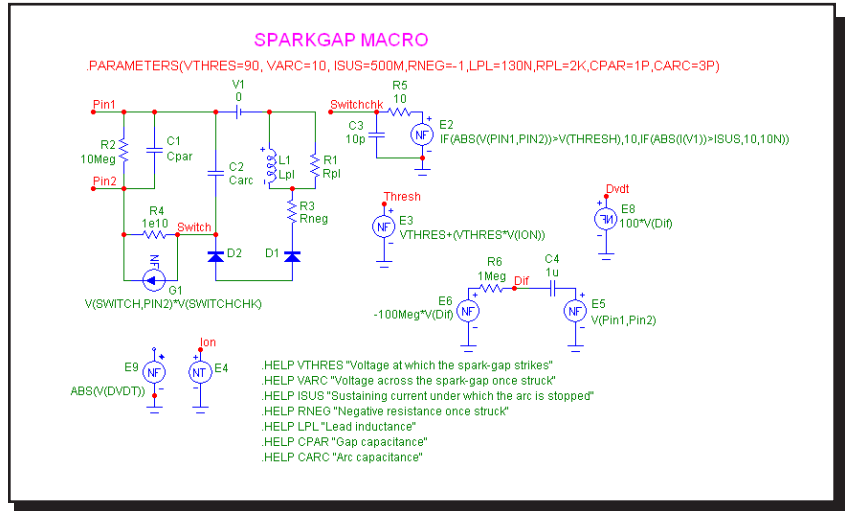


Figure 21-31 SPARKGAP macro circuit

Parameter	Definition
VTHRES	Voltage at which the spark-gap strikes
VARC	Voltage across the spark-gap once struck
ISUS	Sustaining current under which the arc is stopped
RNEG	Negative resistance once struck
LPL	Lead inductance
RPL	Flux loss associated with LPL
CPAR	Gap capacitance
CARC	Arc capacitance

See the circuit SPARK for an example of the use of this macro.

SUB

A common requirement is to subtract two analog signals. The desired function is:

$$V_{Out}(t) = ka V_a(t) - kb V_b(t)$$

This function is implemented with the SUB macro:

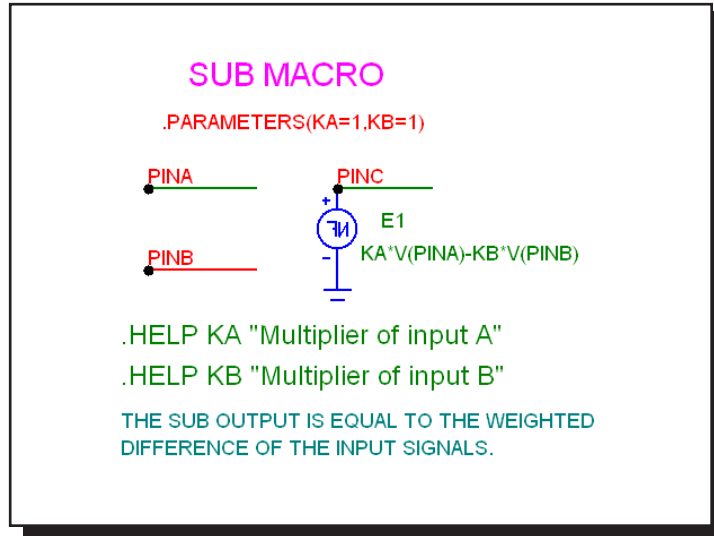


Figure 21-32 SUB macro circuit

The two input parameters, KA and KB, scale each input. The scaled input signals are then subtracted to produce the output. This implementation is done with an NFV function source.

Parameter	Definition
KA	Multiplier of input A
KB	Multiplier of input B

See the circuit SYSTEM2 for an example of the use of this macro.

SUM

Many system simulations call for a function to perform the analog addition of two signals. The desired function is:

$$V_{Out}(t) = ka V_a(t) + kb V_b(t)$$

This function is implemented with the SUM macro:

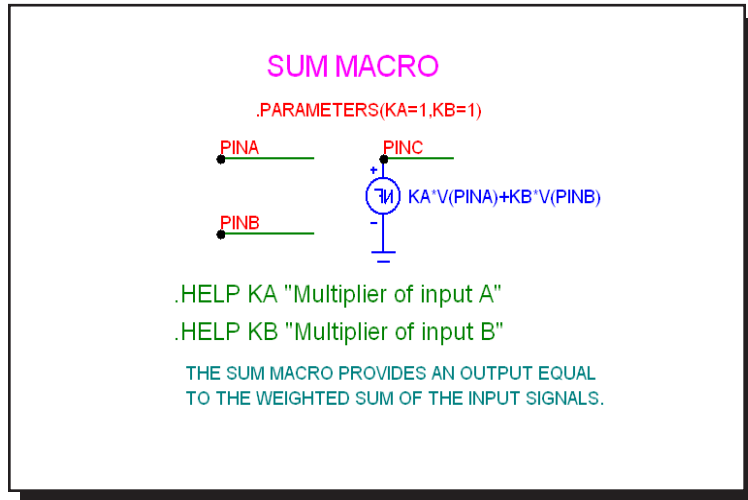


Figure 21-33 SUM macro circuit

The two input parameters, KA and KB, scale each input. The scaled input signals are then added to produce the output.

Parameter	Definition
KA	Multiplier of input A
KB	Multiplier of input B

See the circuit SYSTEM2 for an example of the use of this macro.

SUM3

A triple summer is sometimes convenient. The desired function is:

$$V_{Out}(t) = ka V_a(t) + kb V_b(t) + kc V_c(t)$$

This function is implemented with the SUM3 macro:

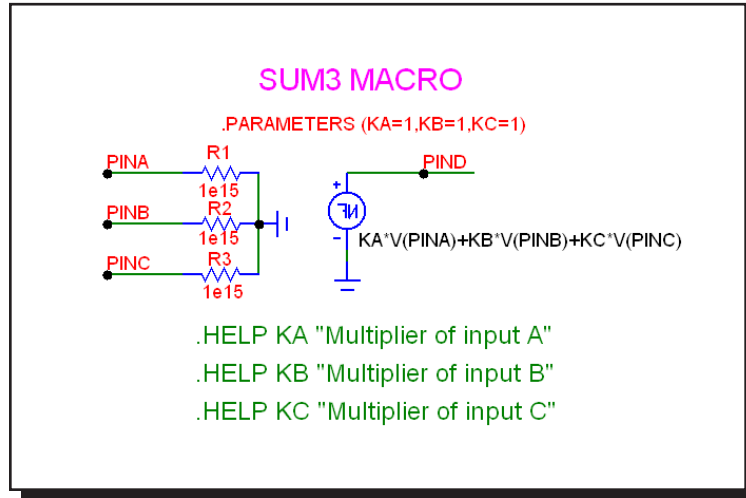


Figure 21-34 SUM3 macro circuit

The three input parameters, KA, KB, and KC, multiply each input. The three scaled input signals are then added to produce the output. This implementation is done with an NFV function source.

Parameter	Definition
KA	Multiplier of input A
KB	Multiplier of input B
KC	Multiplier of input C

See the circuit SYSTEM1 for an example of the use of the SUM3 macro.

TRIAC

This circuit is a macro model for a TRIAC. The macro circuit is as follows:

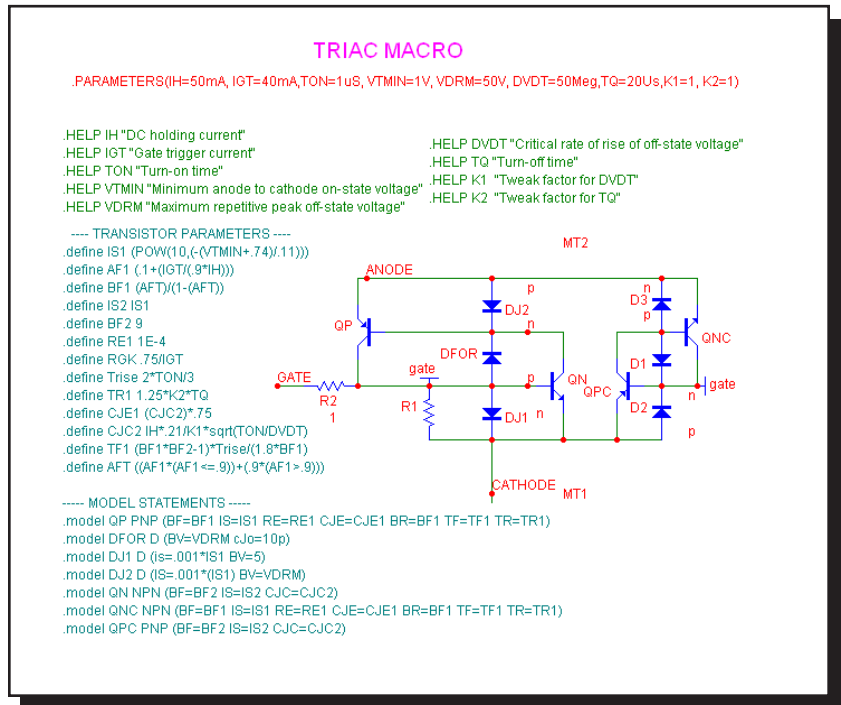


Figure 21-35 TRIAC macro circuit

The parameter definitions are as follows:

Parameter	Definition
IH	DC holding current
IGT	Gate trigger current
TON	Turn-on time
VTMIN	Minimum anode to cathode on-state voltage
VDRM	Maximum repetitive peak off-state voltage
DVDT	Critical rate of rise of off-state voltage
TQ	Turn-off time
K1	Tweak factor for DVDT
K2	Tweak factor for TQ

See the circuit THY1 for an example of the use of the TRIAC macro.

TRIGGER6

This circuit is a macro model for a thyristor gate trigger circuit. The macro equivalent circuit is as follows:

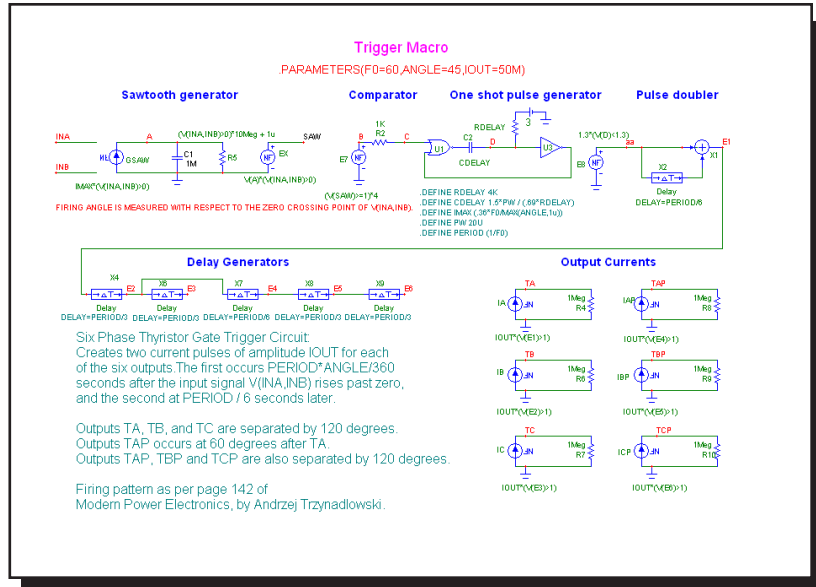


Figure 21-36 TRIGGER6 macro circuit

There are no parameters for the macro.

See the circuit RECTIFIER_45.CIR for an example of the use of this macro.

TRIODE

The TRIODE is a macro model of a vacuum triode device. Its equivalent circuit is as shown below.

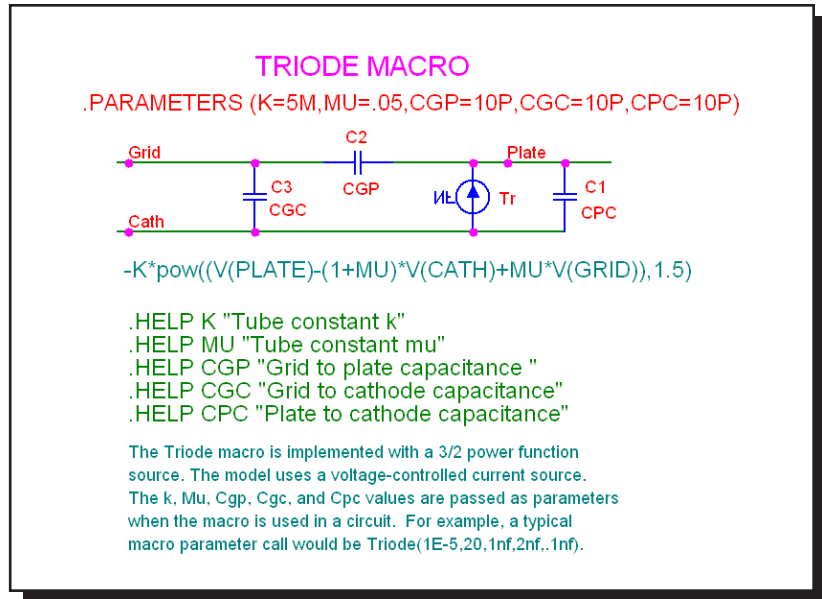


Figure 21-37 TRIODE macro circuit

The Triode macro is implemented with a 3/2 power function voltage-controlled current source. The K, MU, CGP, CGC, and CPC values are passed as parameters when the macro is used in a circuit.

Parameter	Definition
K	Tube constant k
MU	Tube constant mu
CGP	Grid to plate capacitance
CGC	Grid to cathode capacitance
CPC	Plate to cathode capacitance

See the circuit F4 for an example of the use of the TRIODE macro.

VCO

A voltage-controlled oscillator, or VCO, is an oscillator whose instantaneous frequency is dependent upon a time-varying voltage. The VCO macro has a voltage whose time dependence is given by:

$$V_{\text{Out}}(t) = v_p \cos(2\pi(f_0 t + k_f \int V_{\text{in}}(t) dt))$$

In this form, f_0 is the center frequency and k_f is the frequency sensitivity in Hz/volt. This form of linear VCO is easily implemented as a macro:

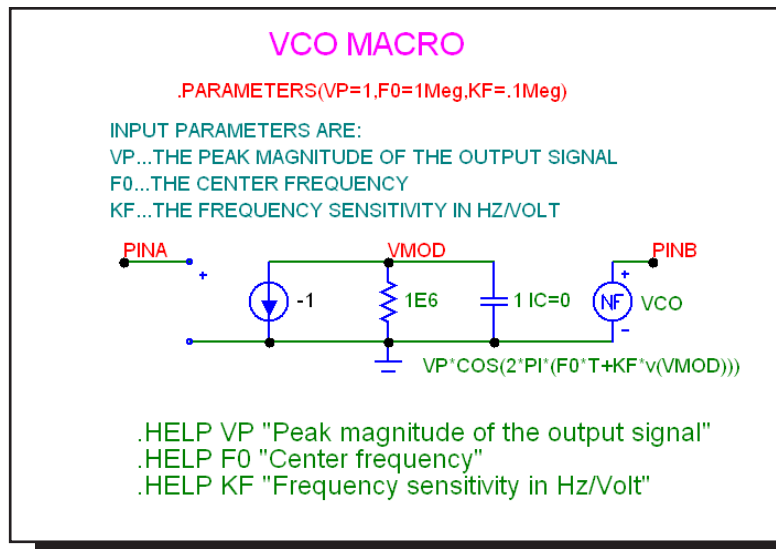


Figure 21-38 VCO macro circuit

The VCO uses a nonlinear function source, which uses the output of an integrator stage to control the frequency. The input parameters specify the magnitude, center frequency, and the frequency sensitivity.

Parameter	Definition
VP	Peak magnitude of the output signal
F0	Center frequency
KF	Frequency sensitivity in Hz/Volt

See the circuit F1 for an example of the use of this macro.

WIDEBAND

This is a wideband model of a transformer.

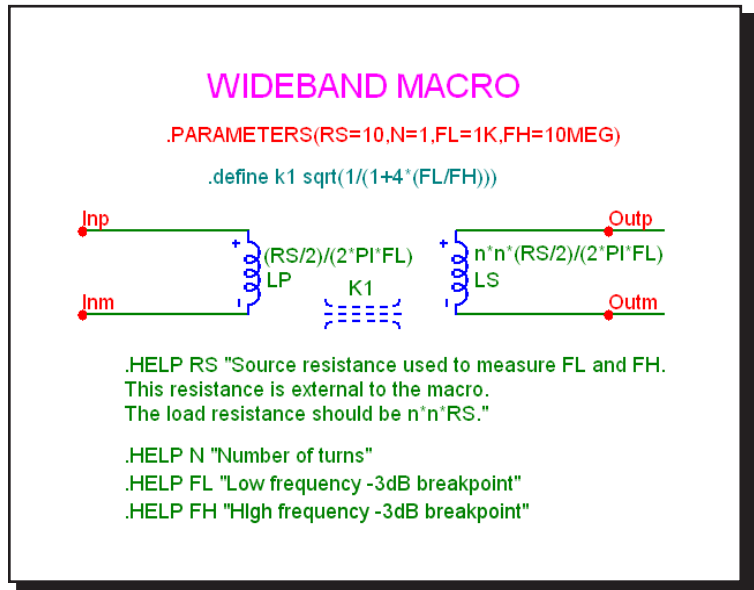


Figure 21-39 WIDEBAND macro circuit

Parameter	Definition
RS	Primary series resistance
N	Number of turns
FL	Low frequency breakpoint
FH	High frequency breakpoint

XTAL

XTAL is a macro model of a crystal. Its circuit is as shown below.

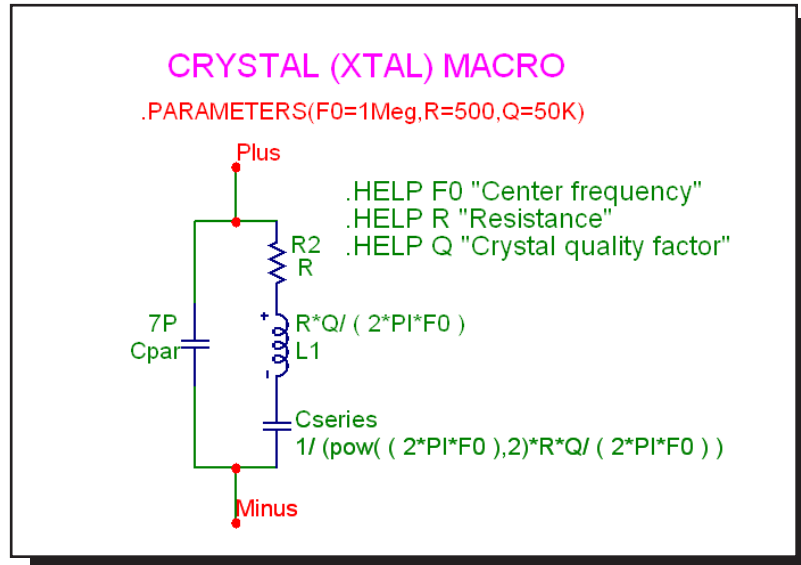


Figure 21-40 XTAL macro circuit

The XTAL macro is implemented with a standard tank circuit model for crystals.

Parameter	Definition
F0	Center frequency
R	Resistance
Q	Crystal quality factor

For examples of how to use the macro, see the circuit XTAL1, which shows a crystal oscillator application.

555

The 555 is a model of the ubiquitous 555 timer circuit. Its circuit are as follows:

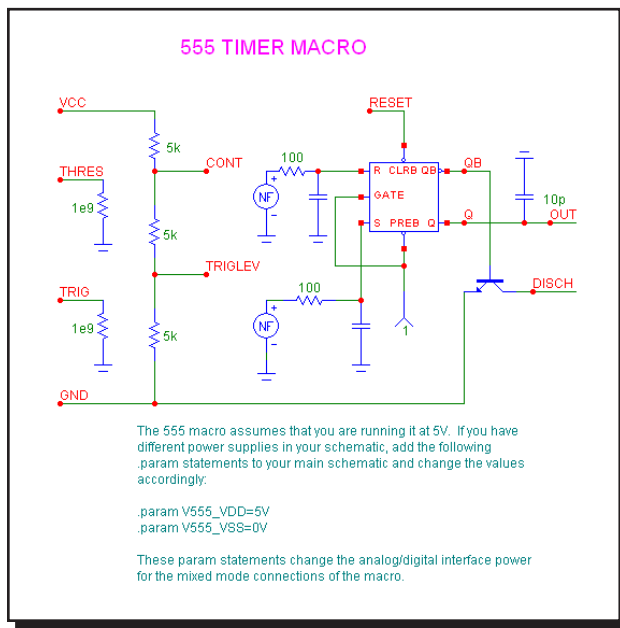


Figure 21-41 555 macro circuit

The 555 uses several nonlinear function sources to monitor the THRES and TRIG input voltage values. When they cross a certain threshold the sources switch to a high or low level and charge capacitors which drive the R and S inputs of a RS flip-flop. The flip-flop drives the output and an NPN which provides a discharge path. There are no input parameters.

For examples of how to use the macro, see the circuits 555MONO, which shows a monostable application, and 555ASTAB, which demonstrates how to use the 555 in an astable application.

You can change the power supply by using a .PARAM statement as follows:

```
.PARAM V555_VDD=<VDD value desired>  
.PARAM V555_VSS=<VSS value desired>
```

The statement may be placed in the text area, the grid text, the User Definitions, or an appropriate text library file.

What's in this chapter

This chapter covers the parameter syntax, model statements, model parameters, and model equations used by each of the Micro-Cap analog devices.

Model statements describe the model parameters for the more complex devices.

Model parameters are the numeric values to be used in the model equations. They are obtained from *model statements* or binary model libraries (*.LBR).

Model equations use the numeric model parameter values in a set of mathematical equations that describe three aspects of a device's electrical behavior:

1. The static relationship between terminal currents and branch voltages.
2. Energy storage within the device.
3. Noise generation.

In the chapter that follows, each component is described in terms of:

1. SPICE parameters and / or schematic attribute formats.
2. Model statement format (if any).
3. Model parameters (if any).
4. The electrical model in terms of its schematic and model equations.

If the SPICE parameter format is not given, the component is available for use only in schematic circuits and not in SPICE text file circuits.

Devices usually have PACKAGE, COST, SHAPEGROUP, and POWER attributes. The PACKAGE attribute specifies the package to be used for PCB netlists. SHAPEGROUP specifies the shape group to be searched first for the indicated shape name. COST and POWER attributes specify the cost and power contributions for the Bill of Materials report.

New Models in Micro-Cap 9

- Hefner IGBT model
- Philips Mextram PNP and NPN bipolar model
- Philips Modella lateral PNP bipolar model

- Philips 11 MOSFET model
- Philips 20 MOSFET model
- Philips 31 MOSFET model
- Philips 40 MOSFET model
- Philips PSP MOSFET model
- Philips JUNCAP model
- Philips JUNCAP2 model
- A and T parameters added to the N port device
- Enhanced R, L, and C models include parasitics
- A User source trigger expression was added. The source is idle until the expression becomes true.

References

This chapter provides a comprehensive guide to the device models used in MC9. It does not, however, teach the principles of analog or digital simulation, or the operation of semiconductor devices. The following references provide a good introduction to these and related topics:

Circuit design

1. Paul R. Gray, and Robert G. Meyer
Analysis and Design of Analog Integrated Circuits
John Wiley and Sons, 1977, 1984
2. David A. Hodges, and Horace G. Jackson.
Analysis and Design of Digital Integrated Circuits
McGraw-Hill, 1983
3. Richard S. Muller and Theodore I. Kamins
Device Electronics for Integrated Circuits
John Wiley and Sons, 1977, 1986
4. Adel Sedra, Kenneth Smith
Microelectronic Circuits
Oxford, 1998
5. John P. Uyemura
Introduction to VLSI Circuits and Systems
John Wiley & Sons Inc, 2002
6. Martin S. Roden and Gorden L. Carpenter
Electronic Design
Discovery Press, 2002

Analog simulation

7. A. Ruehli, Editor
Circuit Analysis, Simulation and Design
Advances in CAD for LSI, Part 3, Vol 1
North-Holland 1986
8. J. Vlach, K. Singhal
Computer Methods for Circuit Analysis and Design
Van Nostrand Reinhold 1994

9. Kenneth Kundert
Designers Guide to SPICE & Spectre
Kluwer Academic Publishers, 1995
10. William J. McCalla
Fundamentals of Computer-Aided Circuit Simulation
Kluwer Academic Publishers, 1988
11. Andrei Vladimirescu and Sally Liu
The Simulation of MOS Integrated circuits using SPICE2
University of California, Berkeley
Memorandum No. UCB / ERL M80/7
12. Lawrence Nagel.
SPICE2: A Computer Program to Simulate Semiconductor Circuits
University of California, Berkeley,
Memorandum No. ERL - M520
13. Andrei Vladimirescu
The SPICE Book
John Wiley & Sons, Inc., First Edition, 1994. ISBN# 0-471-60926-9

Device modeling

14. H. Statz, P. Newman, I. W. Smith, R. A. Pucel, and H. A. Haus
GaAsFET Device and Circuit Simulation in SPICE
IEEE Transactions on Electron Devices, ED - 34, 160-169 (1987)
15. Graeme R. Boyle, Barry M. Cohn, Donald O. Petersen, and James E. Solomon
Macromodeling of Integrated Circuit Operational Amplifiers
IEEE Journal of Solid-State Circuits, Vol. SCV-9 No. 6 (1974)
16. W.R Curtice
A MESFET model for use in the design of GaAs integrated circuits
IEEE Transactions on Microwave Theory and Techniques
MTT - 28,448-456 (1980)
17. Ian Getreu
Modeling the Bipolar Transistor
Tektronix, 1979

18. Liu, William
MOSFET Models for SPICE Simulation Simulation including BSIM3v3 and BSIM4
Wiley-Interscience ISBN: 0-471-39697-4
19. *MOSPOWER Applications*
copyright 1984, Signetics, Inc.
20. Bing Jay Sheu
MOS Transistor Modeling and characterization for Circuit Simulation
University of California, Berkeley Memo No. UCB / ERL M85/85
21. Yannis P. Tsividis
Operation and Modeling of the MOS Transistor
McGraw-Hill, 1987
22. Paolo Antognetti, and Giuseppe Massobrio
Semiconductor Device Modeling with SPICE.
McGraw-Hill, 1988
23. D. C. Jiles, and D. L. Atherton
Theory of Ferromagnetic Hysteresis
Journal of Magnetism and Magnetic Materials, 61, 48 (1986)
24. Sally Liu
A Unified CAD Model for MOSFETs
University of California, Berkeley
Memorandum No. UCB / ERL M81/31
25. Y. Cheng, M. Chan, K. Hui, M. Jeng, Z. Liu, J. Huang, K. Chen, J. Chen, R. Tu, P. Ko, C. Hu
BSIM3v3.1 Manual
Department of Electrical Engineering and Computer Sciences
University of California, Berkeley
26. Daniel Foty
MOSFET Modeling with SPICE Principles and Practice
Prentice Hall, First Edition, 1997. ISBN# 0-13-227935-5

Filters

27. Lawrence P. Huelsman
Active and Passive Filter Design, An Introduction
McGraw-Hill, 1993
28. Kendall L. Su
Analog Filters
Chapman & Hall, 1996
29. Arthur B. Williams
Electronic Filter Design Handbook
McGraw-Hill, 1981

Switched-mode power supply circuits

30. Christophe Basso
Switch-Mode Power Supply SPICE Simulation Cookbook
McGraw-Hill, 2001
31. Steven M. Sandler
SMPS Simulation with SPICE 3
McGraw Hill, First Edition, 1997. ISBN# 0-07-913227-8

General SPICE modeling

32. Ron Kielkowski
SPICE - Practical Device Modeling
McGraw Hill 1995. ISBN# 0-07-911524-1
33. Ron Kielkowski
Inside SPICE - Overcoming the Obstacles of Circuit Simulation
McGraw Hill 1993. ISBN# 0-07-911525-X
34. Connelly and Choi
Macromodeling with SPICE
Prentice Hall 1992. ISBN# 0-13-544941-3

RF circuits

35. Vendelin, Pavio, and Rhoda
Microwave Circuit Design
Wiley-Interscience, 1990

Animated analog bar

Schematic format

PART attribute

<*name*>

Example

BAR1

LOW attribute

<*low_value*>

Example

1

HIGH attribute

<*high_value*>

Example

2

The animated analog bar produces a colored bar whose height tracks its input voltage. When the voltage equals *low_value* the bar is at a minimum. When the voltage equals *high_value* the bar is at a maximum.

Animated analog LED

Schematic format

PART attribute

<name>

Example

LED2

COLOR attribute

<color name> , <on voltage> , <on current> , [rs] , [cjo]

Example

Red,1.7,0.015,250m,30p

This device is a light emitting diode whose color appears when the diode voltage equals or exceeds <on voltage>. It is modeled as a conventional diode with the model parameters RS set to [rs] and CJO set to [cjo]. Other model parameters are adjusted so that the diode voltage and current match the specified <on voltage> and <on current>. [rs] defaults to .500. [cjo] defaults to 20pF.

The choice of color is controlled by the user-selected palette color associated with *color name*. To change the color name or actual on-screen color, double click on a LED, then click on the COLOR attribute, then on the LED Color button in the Attribute dialog box. This invokes the LED Color dialog box which lets you edit the existing LED COLOR attributes or add additional ones. The following are supplied with the original MC9 library.

YELLOW, 2.0, 15m, 500m, 20pF

GREEN, 2.1, 15m, 500m, 20pF

BLUE, 3.4, 12m, 500m, 20pF

RED, 1.7, 15m, 500m, 20pF

Animated DC motor

Schematic format

PART attribute

<name>

Example

MOTOR1

RPSPV attribute

<revs_per_sec_per_volt>

Example

1

RMOTOR attribute

<motor_resistance>

Example

50

LMOTOR attribute

<motor_inductance>

Example

1

The animated DC motor rotates at an angular velocity controlled by the instantaneous input voltage. The rate of rotation is:

$$\text{Revolutions per second} = (\text{input voltage}) * (\text{revs_per_sec_per_volt})$$

The motor is modeled electrically as a resistor of value *motor_resistance* in series with an inductor of value *motor_inductance*.

The voltage on the Velocity pin is equal to the velocity in revolutions per second.

Warning: If the rotation rate is too high the display will appear to be still due to a rapid rotation rate. A rate of 10 RPS is a good working maximum.

Animated DPST, SPDT, and SPST switches

Schematic format

PART attribute

<*name*>

SPDT switch

STATE attribute

<UP | DOWN>

SPST or DPST switch

STATE attribute

<OPEN | CLOSED>

RON attribute

<*ron*>

Example

.001

ROFF attribute

<*roff*>

Example

1E12

GROUP attribute

<*group_name* | NOT *group_name*>

Examples

Group1

NOT Group22

Double clicking in the switch area toggles the state of these switches between open and closed (SPST and DPST), or between up and down (SPDT). The switches are modeled with a simple resistor whose on and off values are set by *ron* (default=.001) and *roff* (default=1E15). Double clicking just outside of the switch area accesses the Attribute dialog box for the device. A click on a switch with a GROUP attribute causes all others of the same attribute to behave the same. If *group_name* is preceded with the reserved word NOT, the switch behaves oppositely to that of switches with *group_name*.

Animated meter

Schematic format

PART attribute

<name>

Example

METER1

LOW attribute

<low>

Example

-10

HIGH attribute

<high>

Example

10

SCALE attribute

< T | G | MEG | K | m | u | n | p | f | none >

Example

m

AUTOSCALE attribute

<ON | OFF>

Example

OFF

ANALOG OR DIGITAL attribute

<ANALOG | DIGITAL>

Example

ANALOG

AMPS OR VOLTS attribute

<AMPS | VOLTS>

Example

VOLTS

INPUT_RESISTANCE attribute

<*rin*>

Example

1E9

The animated meter is a voltage or current meter whose display can be either analog or digital.

Click on the Digital or Analog text on the meter shape to select either an analog or digital display.

Click on the Amps or Volts text on the meter shape to select either an ammeter or a voltmeter.

Click on the Autoscale text on the analog meter shape to toggle between automatic scaling and manual scales. In manual scaling the lower limit is set by *low* and the higher limit is set by *high*. The digital meter mode always uses autoscaling.

The SCALE attribute is effective only when AUTOSCALE is OFF and the ANALOG meter option is selected. With an input voltage of 8000, a scale of k would read 8 when the analog range is 10 (LOW=0 and HIGH=10).

When the meter is in voltmeter mode, *rin* is added across the input terminals. If unspecified, the value of *rin* is 1/GMIN.

When the meter is in ammeter mode, the input resistance is .001 ohms.

Animated relay

Schematic format

PART attribute

<name>

Example

RELAY1

LIN attribute

<input_inductance>

Example

1E-4

RIN attribute

<input_resistance>

Example

100

ION attribute

<input_on_current>

Example

50m

IOFF attribute

<input_off_current>

Example

15m

RON attribute

<on_resistance>

Example

1

ROFF attribute

<off_resistance>

Example

1E9

BIDIRECTIONAL attribute

< YES | NO >

Example

NO

The animated relay is an SPST relay that responds dynamically to changes in input current. It behaves like a smooth transition, current-controlled W switch. The relay input is modeled as an inductor of value *input_inductance* and a resistor of value *input_resistance*.

Model Equations

If BIDIRECTIONAL attribute is set to NO

IC = Current flow into the Plus Input

else

IC = ABS(Current flow into the Plus Input)

LM = Log-mean of resistor values = $\ln((RON \cdot ROFF)^{1/2})$

LR = Log-ratio of resistor values = $\ln(ROFF/RON)$

IM = Mean of control currents = $(ION + IOFF)/2$

ID = Difference of control currents = $ION - IOFF$

RS = Switch output resistance

If $ION > IOFF$

If $IC \geq ION$

RS = RON

If $IC \leq IOFF$

RS = ROFF

If $IOFF < IC < ION$

RS = $\exp(LM + 3 \cdot LR \cdot (IC - IM)/(2 \cdot ID) - 2 \cdot LR \cdot (IC - IM)^3 / ID^3)$

If $ION < IOFF$

If $IC \leq ION$

RS = RON

If $IC \geq IOFF$

RS = ROFF

If $IOFF > IC > ION$

RS = $\exp(LM - 3 \cdot LR \cdot (IC - IM)/(2 \cdot ID) + 2 \cdot LR \cdot (IC - IM)^3 / ID^3)$

Animated traffic light

Schematic format

PART attribute

<*name*>

Example

LIGHT1

TURN-ON VOLTAGES attribute

<*on_voltage*>

Example

2

The animated traffic light is designed to simulate a typical traffic light. There are three lights, red, yellow, and green. Each of the three lights is illuminated when its input control pin voltage exceeds *on_voltage*.

Animated digital switch

Schematic format

PART attribute

<name>

Example

U1

I/O MODEL attribute

<I/O model name>

Example

IO_STD

IO_LEVEL attribute

<interface subckt select value>

Example

1

POWER NODE attribute

<digital power node>

Example

\$G_DPWR

GROUND NODE attribute

<digital ground node>

Example

\$G_DGND

STATE attribute

<output_state>

Example

1

The animated digital switch generates a 1 or 0 at its digital output. To change the state, double-click on the switch body.

Animated digital LED

Schematic format

PART attribute

<name>

Example

U1

I/O MODEL attribute

<I/O model name>

Example

IO_STD

IO_LEVEL attribute

<interface subckt select value>

Example

1

POWER NODE attribute

<digital power node>

Example

\$G_DPWR

GROUND NODE attribute

<digital ground node>

Example

\$G_DGND

It is designed to represent the display of a light emitting diode. It has a single input pin. Depending on the digital state or the analog voltage at the input pin, the LED will be lit with a different color on the schematic. The colors the LED uses are defined in the Color/Font page of the circuit's Properties dialog box. In this page, there is a list of digital states that have a corresponding color.

Animated seven segment display

Schematic format

PART attribute

<name>

Example

U1

I/O MODEL attribute

<I/O model name>

Example

IO_STD

IO_LEVEL attribute

<interface subckt select value>

Example

1

POWER NODE attribute

<digital power node>

Example

\$G_DPWR

GROUND NODE attribute

<digital ground node>

Example

\$G_DGND

ON STATE attribute

<HIGH | LOW>

Example

HIGH

Each segment in the display is lit if its control pin is at the ON STATE, otherwise it is unlit. ON STATE can be specified as either HIGH or LOW.

Battery

Schematic format

PART attribute

<*name*>

Example

V1

VALUE attribute

<*value*>

Examples

10

5.5V

The battery produces a constant DC voltage. It is implemented internally as the simplest form of SPICE independent voltage source. Its main virtue lies in its simplicity.

The battery provides a constant voltage value. If you need a voltage source that is dependent on other circuit variables or time, use one of the dependent sources or the function source (NFV).

Bipolar transistor (Standard Gummel Poon Level=1)

SPICE format

Syntax

Q<name> <collector> <base> <emitter> [substrate]
+<model name> [area] [OFF] [IC=<vbe>[,vce]]

Examples

Q1 5 7 9 2N3904 1 OFF IC=0.65,0.35
Q2 5 7 9 20 2N3904 2.0
Q3 C 20 OUT [SUBS] 2N3904

Schematic format

PART attribute

<name>

Examples

Q1
BB1

VALUE attribute

[area] [OFF] [IC=<vbe>[,vce]]

Example

1.5 OFF IC=0.65,0.35

MODEL attribute

<model name>

Example

2N2222A

The initialization, 'IC=<vbe>[,vce]', assigns initial voltages to the junctions in transient analysis if no operating point is done (or if the UIC flag is set). Area multiplies or divides parameters as shown in the model parameters table. The OFF keyword forces the BJT off for the first iteration of the operating point.

Model statement forms

.MODEL <model name> NPN ([model parameters])
.MODEL <model name> PNP ([model parameters])
.MODEL <model name> LPNP ([model parameters])

Examples

.MODEL Q1 NPN (IS=1E-15 BF=55 TR=.5N)
 .MODEL Q2 PNP (BF=245 VAF=50 IS=1E-16)
 .MODEL Q3 LPNP (BF=5 IS=1E-17)

Name	Parameter	Unit/s	Default	Area
IS	Saturation current	A	1E-16	*
BF	Ideal maximum forward beta		100.0	
NF	Forward current emission coefficient		1.00	
VAF	Forward Early voltage	V	∞	
IKF	high-current roll-off corner	A	∞	*
ISE	BE leakage saturation current	A	0.00	*
NE	BE leakage emission coefficient		1.50	
BR	Ideal maximum reverse beta		1.00	
NR	Reverse current emission coefficient		1.00	
VAR	Reverse Early voltage	V	∞	
IKR	BR high-current roll-off corner	A	∞	*
ISC	BC leakage saturation current	A	0.00	*
NC	BC leakage emission coefficient		2.00	
NK	High current rolloff coefficient		0.50	
ISS	Substrate pn saturation current	A	0.00	*
NS	Substrate pn emission coefficient		1.00	
RC	Collector resistance	Ω	0.00	/
RE	Emitter resistance	Ω	0.00	/
RB	Zero-bias base resistance	Ω	0.00	/
IRB	Current where RB falls by half	A	∞	*
RBM	Minimum RB at high currents	Ω	RB	/
TF	Ideal forward transit time	S	0.00	
TR	Ideal reverse transit time	S	0.00	
XCJC	Fraction of BC dep. cap. to internal base		1.00	
MJC	BC junction grading coefficient		0.33	
VJC	BC junction built-in potential	V	0.75	
CJC	BC zero-bias depletion capacitance	F	0.00	*
MJE	BE junction grading coefficient		0.33	
VJE	BE junction built-in potential	V	0.75	
CJE	BE zero-bias depletion capacitance	F	0.00	*
MJS	CS junction grading coefficient		0.00	
VJS	CS junction built-in potential	V	0.75	
CJSCS	junction zero-bias capacitance	F	0.00	*
VTF	Transit time dependence on VBC	V	∞	
ITF	Transit time dependence on IC	A	0.00	*
XTF	Transit time bias dependence coefficient		0.00	
PTF	Excess phase		0.00	
XTB	Temperature coefficient for betas		0.00	

Name	Parameter	Units	Default Area
EG	Energy gap	eV	1.11
XTI	Saturation current temperature exponent		3.00
KF	Flicker-noise coefficient		0.00
AF	Flicker-noise exponent		1.00
FC	Forward-bias depletion coefficient		0.50
T_MEASURED	Measured temperature	°C	
T_ABS	Absolute temperature	°C	
T_REL_GLOBAL	Relative to current temperature	°C	
T_REL_LOCAL	Relative to AKO temperature	°C	
TRE1	RE linear temperature coefficient	°C ⁻¹	0.00
TRE2	RE quadratic temperature coefficient	°C ⁻²	0.00
TRB1	RB linear temperature coefficient	°C ⁻¹	0.00
TRB2	RB quadratic temperature coefficient	°C ⁻²	0.00
TRM1	RBM linear temperature coefficient	°C ⁻¹	0.00
TRM2	RBM quadratic temperature coefficient	°C ⁻²	0.00
TRC1	RC linear temperature coefficient	°C ⁻¹	0.00
TRC2	RC quadratic temperature coefficient	°C ⁻²	0.00

BJT model equations

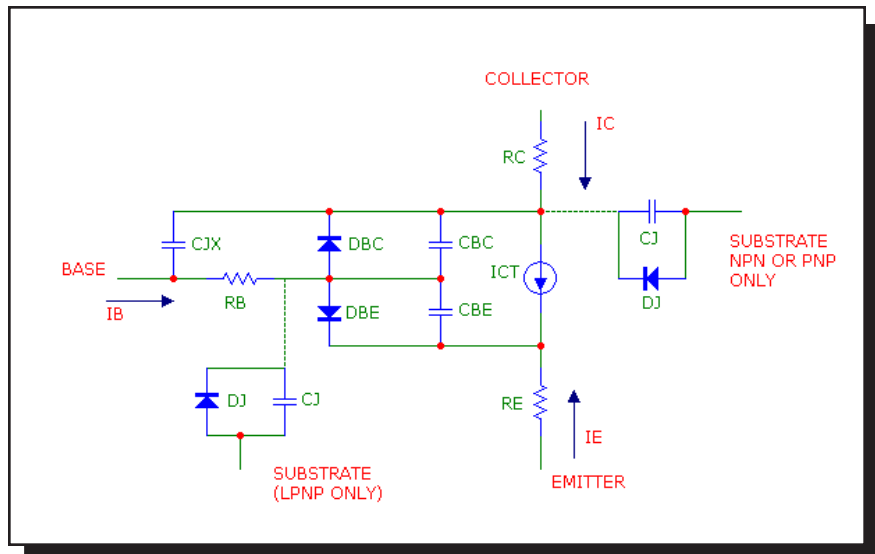


Figure 22-1 Bipolar transistor model

Definitions

The model parameters I_S , I_{KF} , I_{SE} , I_{KR} , I_{SC} , I_{SS} , I_{RB} , C_{JC} , C_{JE} , C_{JS} , and I_{TF} are multiplied by $[area]$ and the model parameters R_C , R_E , R_B , and R_{BM} are divided by $[area]$ prior to their use in the equations below.

T is the device operating temperature and Tnom is the temperature at which the model parameters are measured. Both are expressed in degrees Kelvin. T is set to the analysis temperature from the Analysis Limits dialog box. TNOM is determined by the Global Settings TNOM value, which can be overridden with a .OPTIONS statement. T and Tnom may both be customized for each model by specifying the parameters T_MEASURED, T_ABS, T_REL_GLOBAL, and T_REL_LOCAL. For more details on how device operating temperatures and Tnom temperatures are calculated, see the .MODEL section of Chapter 26, "Command Statements".

The substrate node is optional and, if not specified, is connected to ground. If, in a SPICE file, the substrate node is specified and is an alphanumeric name, it must be enclosed in square brackets.

The model types NPN and PNP are used for vertical transistor structures and the LPNP is used for lateral PNP structures. The isolation diode DJ and capacitance CJ are connected from the substrate node to the internal collector node for NPN and PNP model types, and from the substrate node to the internal base node for the LPNP model type.

When adding new four terminal BJT components to the Component library, use NPN4 or PNP4 for the Definition field.

When a PNP4 component is placed in a schematic, the circuit is issued an LPNP model statement. If you want a vertical PNP4, change the LPNP to PNP.

$$VT = k \cdot T / q$$

VBE = Internal base to emitter voltage

VBC = Internal base to collector voltage

VCS = Internal collector to substrate voltage

In general, X(T) = Temperature adjusted value of parameter X

Temperature effects

$$EG(T) = 1.16 - .000702 \cdot T^2 / (T + 1108)$$

$$IS(T) = IS \cdot e^{((T/Tnom-1) \cdot EG/(VT))} \cdot (T/Tnom)^{XTI}$$

$$ISE(T) = (ISE/(T/Tnom)^{XTB}) \cdot e^{((T/Tnom-1) \cdot EG/(NE \cdot VT))} \cdot (T/Tnom)^{XTI/NE}$$

$$ISC(T) = (ISC/(T/Tnom)^{XTB}) \cdot e^{((T/Tnom-1) \cdot EG/(NC \cdot VT))} \cdot (T/Tnom)^{XTI/NC}$$

$$BF(T) = BF \cdot (T/Tnom)^{XTB}$$

$$BR(T) = BR \cdot (T/Tnom)^{XTB}$$

$$VJE(T) = VJE \cdot (T/Tnom) - 3 \cdot VT \cdot \ln((T/Tnom)) - EG(Tnom) \cdot (T/Tnom) + EG(T)$$

$$VJC(T) = VJC \cdot (T/Tnom) - 3 \cdot VT \cdot \ln((T/Tnom)) - EG(Tnom) \cdot (T/Tnom) + EG(T)$$

$$VJS(T) = VJS \cdot (T/Tnom) - 3 \cdot VT \cdot \ln((T/Tnom)) - EG(Tnom) \cdot (T/Tnom) + EG(T)$$

$$\begin{aligned}CJE(T) &= CJE \cdot (1 + MJE \cdot (.0004 \cdot (T - T_{nom}) + (1 - VJE(T)/VJE))) \\CJC(T) &= CJC \cdot (1 + MJC \cdot (.0004 \cdot (T - T_{nom}) + (1 - VJC(T)/VJC))) \\CJS(T) &= CJS \cdot (1 + MJS \cdot (.0004 \cdot (T - T_{nom}) + (1 - VJS(T)/VJS)))\end{aligned}$$

Current equations

$$\begin{aligned}Q1 &= 1 / (1 - VBC/VAF - VBE/VAR) \\Q2 &= IS(T) \cdot (e^{(VBE/(NF \cdot VT))} - 1) / IKF + IS(T) \cdot (e^{(VBC/(NR \cdot VT))} - 1) / IKR \\QB &= Q1 \cdot (1 + (1 + 4 \cdot Q2)^{NK}) / 2\end{aligned}$$

Current source value

$$ICT = IS(T) \cdot (e^{(VBE/(NF \cdot VT))} - 1) / QB - IS(T) \cdot (e^{(VBC/(NR \cdot VT))} - 1) / QB$$

Base emitter diode current

$$IBE = ISE(T) \cdot (e^{(VBE/(NE \cdot VT))} - 1) + IS(T) \cdot (e^{(VBE/(NF \cdot VT))} - 1) / BF(T)$$

Base collector diode current

$$IBC = ISC(T) \cdot (e^{(VBC/(NC \cdot VT))} - 1) + IS(T) \cdot (e^{(VBC/(NR \cdot VT))} - 1) / QB / BR(T)$$

Base terminal current

$$\begin{aligned}IB &= IBE + IBC \\IB &= IS(T) \cdot (e^{(VBE/(NF \cdot VT))} - 1) / BF(T) + ISE(T) \cdot (e^{(VBE/(NE \cdot VT))} - 1) + \\&\quad IS(T) \cdot (e^{(VBC/(NR \cdot VT))} - 1) / BR(T) + ISC(T) \cdot (e^{(VBC/(NC \cdot VT))} - 1)\end{aligned}$$

Collector terminal current

$$\begin{aligned}IC &= IS(T) \cdot (e^{(VBE/(NF \cdot VT))} - e^{(VBC/(NR \cdot VT))}) / QB \\&\quad - IS(T) \cdot (e^{(VBC/(NR \cdot VT))} - 1) / BR(T) - ISC(T) \cdot (e^{(VBC/(NC \cdot VT))} - 1)\end{aligned}$$

Emitter terminal current

$$\begin{aligned}IE &= IS(T) \cdot (e^{(VBE/(NF \cdot VT))} - e^{(VBC/(NR \cdot VT))}) / QB \\&\quad + IS(T) \cdot (e^{(VBE/(NF \cdot VT))} - 1) / BF(T) + ISE(T) \cdot (e^{(VBE/(NE \cdot VT))} - 1)\end{aligned}$$

Capacitance equations

Base emitter capacitance

$$GBE = \text{base emitter conductance} = \delta(IBE) / \delta(VBE)$$

If $VBE \leq FC \cdot VJE(T)$

$$CBE1 = CJE(T) \cdot (1 - VBE/VJE(T))^{-MJE}$$

Else

$$CBE1 = CJE(T) \cdot (1 - FC)^{-(1+MJE)} \cdot (1 - FC \cdot (1 + MJE) + MJE \cdot VBE/VJE(T))$$

$$R = IS(T) \cdot (e^{(VBE/(NF \cdot VT))} - 1) / (IS(T) \cdot (e^{(VBE/(NF \cdot VT))} - 1) + ITF)$$

$$CBE2 = GBE \cdot TF \cdot (1 + XTF \cdot (3 \cdot R^2 - 2 \cdot R^3)) \cdot e^{(VBC/(1.44 \cdot VTF))}$$

$$CBE = CBE1 + CBE2$$

Base collector capacitances

$$GBC = \text{base collector conductance} = \delta(IBC) / \delta(VBC)$$

If $VBC \leq FC \cdot VJC(T)$

$$C = CJC(T) \cdot (1 - VBC/VJC(T))^{-MJC}$$

Else

$$C = CJC(T) \cdot (1 - FC)^{-(1+MJC)} \cdot (1 - FC \cdot (1+MJC) + MJC \cdot VBC/VJC(T))$$

$$CJX = C \cdot (1 - XCJC)$$

$$CBC = GBC \cdot TR + XCJC \cdot C$$

Collector substrate capacitance

If $VCS \leq 0$

$$CJ = CJS(T) \cdot (1 - VCS/VJS(T))^{-MJS}$$

Else

$$CJ = CJS(T) \cdot (1 - FC)^{-(1+MJS)} \cdot (1 - FC \cdot (1+MJS) + MJS \cdot VCS/VJS(T))$$

Noise

RE, RB, and RC generate thermal noise currents.

$$Ie^2 = (4 \cdot k \cdot T) / RE$$

$$Ib^2 = (4 \cdot k \cdot T) / RB$$

$$Ic^2 = (4 \cdot k \cdot T) / RC$$

Both the collector and base currents generate frequency-dependent flicker and shot noise currents.

$$Ic^2 = 2 \cdot q \cdot Ic + KF \cdot ICB^{AF} / \text{Frequency}$$

$$Ib^2 = 2 \cdot q \cdot Ib + KF \cdot IBE^{AF} / \text{Frequency}$$

where

KF is the flicker noise coefficient

AF is the flicker noise exponent

Bipolar transistor (Philips Mextram Level = 2 or 21)

SPICE format

Syntax

Q<name> <collector> <base> <emitter> [substrate] [thermal]
+<model name>
+ MULT=<no_parallel>

Examples

Q1 1 2 3 MM1
Q2 1 2 3 4 MM2
Q3 1 2 3 4 5 MM3
Q4 1 2 3 4 5 MM3 MULT=20

Schematic format

PART attribute

<name>

Examples

Q1
BB1

VALUE attribute

MULT=<no_parallel>

Example

MULT=100

MODEL attribute

<model name>

Example

MLX

Model statement form

.MODEL <model name> NPN (LEVEL=2 [model parameters])
.MODEL <model name> NPN (LEVEL=21 [model parameters])

Example of standard model

.MODEL MODN NPN (LEVEL=2 ...)

Example of thermal model
 .MODEL MODP PNP (LEVEL=21 ...)

Mextram is an advanced compact model for bipolar transistors suitable for double-poly, SiGe processes, high-voltage power devices, and lateral NPN-transistors in LDMOS technology. It provides an accurate description of both the forward and reverse modes of operation for digital and analog circuits. It realistically handles quasi-saturation, avalanche multiplication, epitaxial collector layer resistance and charge storage, Early voltage bias dependence, inactive region modelling, current crowding, and conductivity modulation of base resistance.

The equivalent circuit of the Mextram model is as follows:

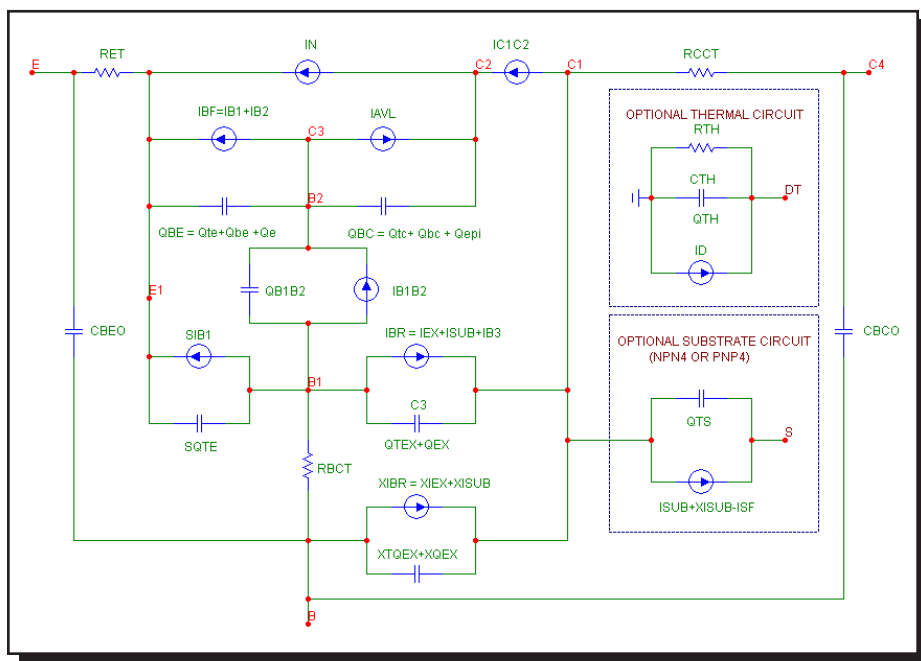


Figure 22-2 Mextram bipolar transistor model

Model parameters for Mextram bipolar transistor level 2/21

Name	Default	Description
LEVEL	2	Level = 2 for standard, or 21 for thermal model
AB	1	Temperature coefficient of the resistivity of the base
AC	2	Buried layer resistivity temperature coefficient
AE	0	Emitter resistivity temperature coefficient
AEPI	2.5	Epilayer resistivity temperature coefficient
AEX	620m	Extrinsic base resistivity temperature coefficient
AF	2	Exponent of the flicker-noise
AQBO	300m	Temperature coefficient of the zero-bias base charge
AS	1.58	For a closed buried layer: $A_s=A_c$. For an open buried layer: $A_s=A_{epi}$
AXI	300m	Smoothness parameter for the onset of quasi-saturation
BF	215	Ideal forward current gain
BRI	7	Ideal reverse current gain
CBCO	0	Collector-base overlap capacitance
CBEO	0	Emitter-base overlap capacitance
CJC	78f	Zero-bias collector-base depletion capacitance
CJE	73f	Zero-bias emitter-base depletion capacitance
CJS	315f	Zero-bias collector-substrate depletion capacitance
DAIS	0	Parameter for fine tuning of temperature dependence of collector-emitter saturation current
DEG	0	Bandgap difference over the base
DTA	0	Difference between the local ambient and global ambient temperature
DVGBF	50m	Bandgap voltage difference of forward current gain
DVGBR	45m	Bandgap voltage difference of reverse current gain
DVGTE	50m	Bandgap voltage difference of emitter stored charge
EXAVL	0	Flag for extended modelling of avalanche currents
EXMOD	1	Flag for extended modelling of reverse current gain
EXPHI	1	Flag for the distributed high-frequency effects in transient analysis
IBF	2.7f	Saturation current of the non-ideal forward base current
IBR	1f	Saturation current of the non-ideal reverse base current
IHC	4m	Critical current for velocity saturation in the epilayer
IK	100m	Collector-emitter high injection knee current
IKS	250u	Base-substrate high injection knee current
IS	.022f	Collector-emitter saturation current
ISS	.048f	Base-substrate saturation current

Model parameters for Mextram bipolar transistor level 2/21

Name	Default	Description
KAVL	0	Switch for white noise contribution due to avalanche
KF	20p	Flicker-noise coefficient of the ideal base current
KFN	20p	Flicker-noise coefficient of the non-ideal base current
MC	500m	Coefficient for the current modulation of the collector base depletion capacitance
MLF	2	Non-ideality factor of the non-ideal forward base current
MTAU	1	Non-ideality factor of the emitter stored charge
MULT	1	Number of devices in parallel
PC	500m	Collector-base grading coefficient
PE	400m	Emitter-base grading coefficient
PS	340m	Collector-substrate grading coefficient
RBC	23	Constant part of the base resistance
RBV	18	Zero-bias value of the variable part of base resistance
RCC	12	Constant part of collector resistance
RCV	150	Resistance of the un-modulated epilayer
RE	5	Emitter resistance
SCRCV	1.25K	Space charge resistance of the epilayer
SFH	300m	Current spreading factor of avalanche model (when EXAVL=1)
TAUB	4.2p	Transit time of stored base charge
TAUE	2p	Minimum transit time of stored emitter charge
TAUR	520p	Transit time of reverse extrinsic base charge
TEPI	41p	Transit time of stored epilayer charge
TREF	25	Reference temperature
VAVL	3	Voltage determining curvature of avalanche current
VDC	680m	Collector-base diffusion voltage
VDE	950m	Emitter-base diffusion voltage
VDS	620m	Collector-substrate diffusion voltage
VEF	44	Forward Early voltage
VER	2.5	Reverse Early voltage
VGB	1.17	Bandgap voltage of the base
VGC	1.18	Bandgap voltage of the collector
VGJ	1.15	Bandgap voltage recombination emitter-base junction
VGS	1.2	Bandgap voltage of the substrate
VLR	200m	Crossover voltage of the non-ideal reverse base current
WAVL	1.1u	Epilayer thickness used in weak-avalanche model

Model parameters for Mextram bipolar transistor level 2/21

Name	Default	Description
XCJC	32m	Fraction of the collector-base depletion capacitance under the emitter
XCJE	400m	Fraction of the emitter-base depletion capacitance that belongs to the sidewall
XEXT	630m	Part of I_{ex} , Q_{tex} , Q_{ex} and I_{sub} that depends on V_{bc1} instead of V_{b1c1}
XIBI	0	Part of ideal base current that belong to the sidewall
XP	350m	Constant part of C_{jc}
XREC	0	Pre-factor of the recombination part of I_{b1}

For the thermal model (Level = 21) there are three additional parameters to handle thermal effects.

Name	Default	Description
ATH	0	Thermal resistance temperature coefficient
CTH	3n	Thermal capacitance
RTH	300	Thermal resistance

Bipolar transistor (Philips Modella Level = 500 or 501)

SPICE format

Syntax

Q<name> <collector> <base> <emitter> [*substrate*] [*thermal*]
+<model name>
+ MULT=<no_parallel>

Examples

Q1 1 2 3 MM1
Q2 1 2 3 4 MM2
Q3 1 2 3 4 5 MM3
Q4 1 2 3 4 5 MM3 MULT=20

Schematic format

PART attribute

<name>

Example

Q1

VALUE attribute

MULT=<no_parallel>

Example

MULT=100

MODEL attribute

<model name>

Example

LATPNP

Model statement forms

.MODEL <model name> LPNP (LEVEL=500 [*model parameters*])
.MODEL <model name> LPNP (LEVEL=501 [*model parameters*])

Example of standard model

.MODEL ML LPNP (LEVEL=500 ...)

Example of thermal model

.MODEL MLT LPNP (LEVEL=501 ...)

Modella (MODEL Lateral) models modern lateral PNP structures, accounting for the complex two-dimensional nature of the device. In this physics-based model, the main currents and charges are independently related to bias-dependent minority carrier concentrations, providing realistic modeling of current crowding, high-level injection, and bias-dependent output impedance.

The equivalent circuit of the Modella model is as follows:

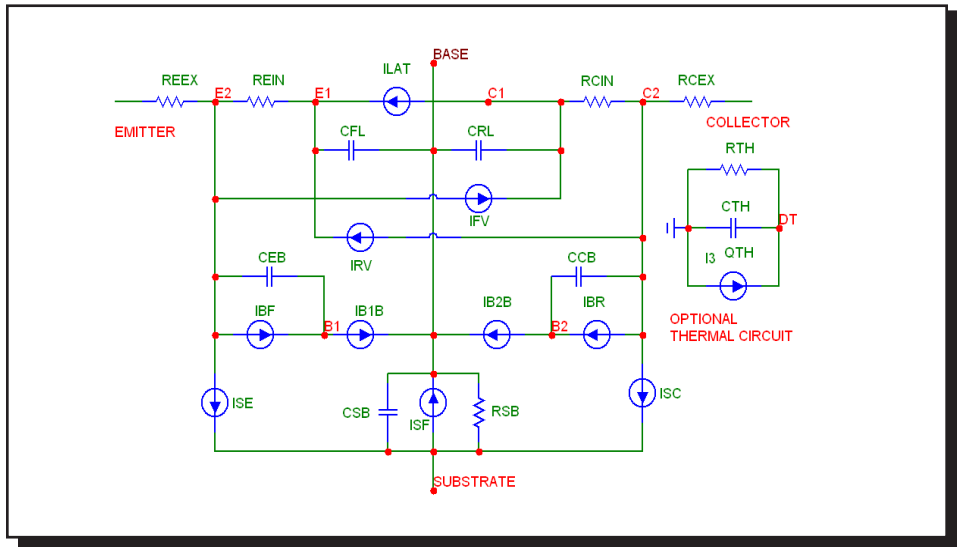


Figure 22-3 Modella lateral PNP transistor model

Model parameters for Modella transistor levels 500/501

Name	Default	Description
LEVEL	500	Level = 500 for standard or 501 for thermal model
AE	4.48	Temperature coefficient of BF
AF	1	Flicker noise exponent
BF	131	Ideal forward common-emitter current gain
BR	25	Ideal reverse common-emitter current gain
CJC	390f	Zero-bias collector-base depletion capacitance
CJE	61f	Zero-bias emitter-base depletion capacitance
CJS	1.3p	Zero-bias substrate-base depletion capacitance
DTA	0	Difference between the device temperature and the ambient analysis temperature

Model parameters for Modella transistor levels 500/501

Name	Default	Description
EAFI	20.5	Early voltage of the lateral forward current component
EAFV	75	Early voltage of the vertical forward current component
EARL	13.1	Early voltage of the lateral reverse current component
EARV	104	Early voltage of the vertical reverse current component
EXPHI	0	Not used
IBF	26f	Saturation current of non-ideal forward base current
IBR	120f	Saturation current of non-ideal reverse base current
IK	110u	High injection knee current
IS	.18f	Collector-emitter saturation current
ISS	400f	Saturation current of substrate-base diode
KF	0	Flicker noise coefficient
MULT	1	Area factor
PC	360m	Collector-base grading coefficient
PE	300m	Emitter-base grading coefficient
PS	350m	Substrate-base grading coefficient
RBCC	10	Constant part of the base resistance `rbc`
RBCV	10	Variable part of the base resistance `rbc`
RBEC	10	Constant part of the base resistance `rbe`
RBEV	50	Variable part of the base resistance `rbe`
RCEX	5	External part of the collector resistance
RCIN	47	Internal part of the collector resistance
REEX	27	External part of the emitter resistance
REIN	66	Internal part of the emitter resistance
RSB	1000T	Substrate-base leakage resistance
SNB	2.6	Temperature coefficient of the epitaxial base electron mobility
SNBN	300m	Temperature coefficient of buried layer electron mobility
SPB	2.853	Temperature coefficient of epitaxial base hole mobility
SPC	730m	Temperature coefficient of collector hole mobility
SPE	730m	Temperature coefficient of emitter hole mobility
SX	1	Temperature coefficient of combined minority carrier mobility in emitter and buried layer
TFN	200p	Low injection forward transit time due to charge stored in the emitter and the buried layer under the emitter
TFVR	30n	Low injection forward transit time due to charge stored in the epilayer under the emitter
TLAT	2.4n	Low injection (forward and reverse) transit time of charge stored in the epilayer between emitter and collector

Model parameters for Modella transistor levels 500/501

Name	Default	Description
TREF	25	Reference temperature. Default set by option `tnom`
TRN	3n	Low injection reverse transit time due to charge stored in the collector and the buried layer under the collector
TRVR	1n	Low injection reverse transit time due to charge stored in the epilayer under the collector
VDC	570m	Collector-base diffusion voltage
VDE	520m	Emitter-base diffusion voltage
VDS	520m	Substrate-base diffusion voltage
VGB	1.206	Bandgap voltage of the base between emitter and collector
VGCB	1.206	Bandgap voltage of the collector-base depletion region
VGE	1.206	Bandgap voltage of the emitter
VGEB	1.206	Bandgap voltage of the emitter-base depletion region
VGJE	1.123	Bandgap voltage recombination emitter-base junction
VGSB	1.206	Bandgap voltage of the substrate-base depletion region
VLF	540m	Crossover voltage of non-ideal forward base current
VLR	480m	Crossover voltage of non-ideal reverse base current
XCS	3	Ratio between saturation current of c-b-s transistor and c-b-e transistor
XES	2.7m	Ratio between saturation current of e-b-s transistor and e-b-c transistor
XHCS	1	Fraction of substrate current of c-b-s transistor subject to high injection
XHES	700m	Fraction of substrate current of e-b-s transistor subject to high injection
XIFV	430m	Vertical fraction of forward current
XIRV	430m	Vertical fraction of reverse current

For the thermal model (Level = 501) there are three additional parameters to handle thermal effects.

Name	Default	Description
ATH	0	Thermal resistance temperature coefficient
CTH	3n	Thermal capacitance
RTH	300	Thermal resistance

Capacitor

SPICE format

Syntax

C<name> <plus> <minus> [*model name*]
+ [*capacitance*] [IC=<initial voltage>]

Example

C2 7 8 110P IC=2

<plus> and <minus> are the positive and negative node numbers. The polarity references are used to apply the initial condition.

Schematic format

PART attribute

<name>

Example

C5

CAPACITANCE attribute

[*capacitance*] [IC=<initial voltage>]

Examples

1U
110P IC=3
1N/(1+V(C1)^2)

CHARGE attribute

[*charge*]

Example

ATAN(V(C1))

FREQ attribute

[*freq*]

Example

1.2+10m*log(F)

MODEL attribute
[*model_name*]

Example
CMOD

CAPACITANCE attribute

[*capacitance*] may be a simple number or an expression involving time-domain variables. It is evaluated in the time domain only. Consider the following expression:

$$1\text{N}/\text{SQRT}(1+\text{V}(\text{C1}))$$

V(C1) refers to the value of the voltage across C1 during a transient analysis, a DC operating point calculation prior to an AC analysis, or during a DC analysis. It does not mean the AC small signal voltage across C1. If the DC operating point value for V(C1) was 3, the capacitance would be evaluated as $1\text{N}/\text{SQRT}(1+3) = .5\text{n}$. The constant value, .5n, would be used in AC analysis.

CHARGE attribute

[*charge*], if used, must be an expression involving time-domain variables, including the voltage across the capacitor and perhaps other symbolic (.define or .param) variables.

Rules about using CHARGE and CAPACITANCE expressions

- 1) Either [*capacitance*] or [*charge*] must be given.
- 2) If both [*capacitance*] and [*charge*] are given, the user must ensure that [*capacitance*] is the derivative of [*charge*] with respect to the capacitor voltage. $[\textit{capacitance}] = d([\textit{charge}])/dV$
- 3) If [*capacitance*] is not given and [*charge*] is given, MC9 will create an expression for capacitance by taking its derivative, $C = dQ/dV$.
- 4) If [*capacitance*] is given as an expression, C(V), and [*charge*] is not given, MC9 creates an equivalent circuit consisting of a current source of value $C(V)*DDT(V)$. In this case, the charge variable for the capacitor will always be zero. In all other cases the charge variable is available.
- 5) If [*charge*] is given, its expression must involve the voltage across the capacitor. Even for a constant capacitance, $Q(C) = C*V(C)$.

6) If [*capacitance*] or [*charge*] is given as a time-varying expression, the MODEL attribute is ignored. Capacitance and charge values are determined solely by the expressions and are unaffected by model parameters.

FREQ attribute

If $\langle fexpr \rangle$ is given, it replaces the capacitance value determined during the operating point. $\langle fexpr \rangle$ may be a simple number or an expression involving frequency domain variables. $\langle fexpr \rangle$ is evaluated during AC analysis as the frequency changes. For example, suppose the $\langle fexpr \rangle$ attribute was this:

$$1n + 1E-9 * V(1,2) * (1 + 10m * \log(f))$$

In this expression F refers to the AC analysis frequency variable and V(1,2) refers to the AC small signal voltage between nodes 1 and 2. Note that there is no time-domain equivalent to $\langle fexpr \rangle$. Even if $\langle fexpr \rangle$ is present, [*capacitance*] and/or [*charge*] will be used in transient analysis.

MODEL attribute

If [*model_name*] is given then the model parameters specified in a library or a model statement are employed. If either [*capacitance*] or [*charge*] are given as time-varying expressions, then the MODEL attribute is ignored.

Initial conditions

IC= $\langle initial\ voltage \rangle$ assigns an initial voltage across the capacitor.

Stepping effects

The CAPACITANCE attribute and all of the model parameters may be stepped, in which case, the stepped value replaces [*capacitance*], even if it is an expression. The stepped value may be further modified by the quadratic and temperature effects.

Quadratic effects

If [*model_name*] is used, [*capacitance*] is multiplied by a factor, QF, a quadratic function of the time-domain voltage, V, across the capacitor.

$$QF = 1 + VC1 \cdot V + VC2 \cdot V^2$$

This is intended to provide a subset of the old SPICE 2G POLY keyword, which is no longer supported.

Temperature effects

If [*model_name*] is used, [*capacitance*] is multiplied by a temperature factor:

$$TF = 1 + TC1 \cdot (T - T_{nom}) + TC2 \cdot (T - T_{nom})^2$$

TC1 is the linear temperature coefficient and is sometimes given in data sheets as parts per million per degree C. To convert ppm specs to TC1 divide by 1E6. For example, a spec of 1500 ppm/degree C would produce a TC1 value of 1.5E-3.

T is the device operating temperature and Tnom is the temperature at which the nominal capacitance was measured. T is set to the analysis temperature from the Analysis Limits dialog box. TNOM is determined by the Global Settings TNOM value, which can be overridden with a .OPTIONS statement. T and Tnom may be changed for each model by specifying values for T_MEASURED, T_ABS, T_REL_GLOBAL, and T_REL_LOCAL. See the .MODEL section of Chapter 26, "Command Statements", for more information on how device operating temperatures and Tnom temperatures are calculated.

Monte Carlo effects

LOT and DEV Monte Carlo tolerances, available only when [*model_name*] is used, are obtained from the model statement. They are expressed as either a percentage or as an absolute value and are available for all of the model parameters except the T_parameters. Both forms are converted to an equivalent *tolerance percentage* and produce their effect by increasing or decreasing the Monte Carlo factor, MF, which ultimately multiplies the final value.

$$MF = 1 \pm \textit{tolerance percentage} / 100$$

If *tolerance percentage* is zero or Monte Carlo is not in use, then the MF factor is set to 1.0 and has no effect on the final value.

The final capacitance used in the analysis, *cvalue*, is calculated as follows:

$$cvalue = [capacitance] * C * QF * TF * MF$$

Model statement form

```
.MODEL <model name> CAP ([model parameters])
```

Examples

```
.MODEL CMOD CAP (C=2.0 LOT=10% VC1=2E-3 VC2=.0015)
```

```
.MODEL CEL CAP (C=1.0 LOT=5% DEV=.5% T_ABS=37)
```

Model parameters

Name	Parameter	Units	Default
C	Capacitance multiplier		1
LS	Series inductance	Henrys	0
RP	Parallel resistance	Ohms	∞
RS	Series resistance	Ohms	0
VC1	Linear voltage coefficient	V ⁻¹	0
VC2	Quadratic voltage coefficient	V ⁻²	0
TC1	Linear temperature coefficient	°C ⁻¹	0
TC2	Quadratic temperature coefficient	°C ⁻²	0
T_MEASURED	Measured temperature	°C	
T_ABS	Absolute temperature	°C	
T_REL_GLOBAL	Relative to current temperature	°C	
T_REL_LOCAL	Relative to AKO temperature	°C	

The model used for the capacitor when the parasitic values of LS, RP, and RS are specified is as follows:

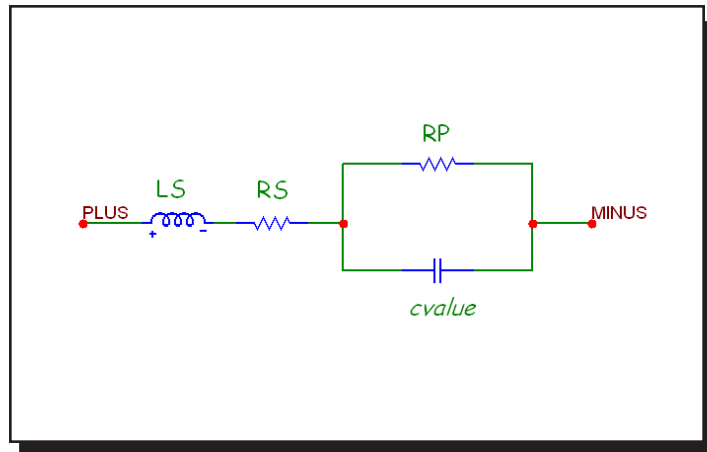


Figure 22-4 Capacitor model

Noise effects

RS and RP, if specified, generate thermal noise currents in the usual manner.

$$I_{RS} = (4 \cdot k \cdot T / RS)^{0.5}$$

$$I_{RP} = (4 \cdot k \cdot T / RP)^{0.5}$$

Dependent sources (linear)

Schematic format

PART attribute

<name>

Example

DEP1

VALUE attribute

<value>

Example

10

These ideal, linear, two-port functions transform the input voltage or current to an output voltage or current. Input voltage is the voltage between the plus and minus input leads. Positive input current is defined as *into* the plus input lead.

Model equations

Part	Equation
IOFI	$I_{out}(I_{in}) = value \cdot I_{in}$
IOFV	$I_{out}(V_{in}) = value \cdot V_{in}$
VOFV	$V_{out}(V_{in}) = value \cdot V_{in}$
VOFI	$V_{out}(I_{in}) = value \cdot I_{in}$

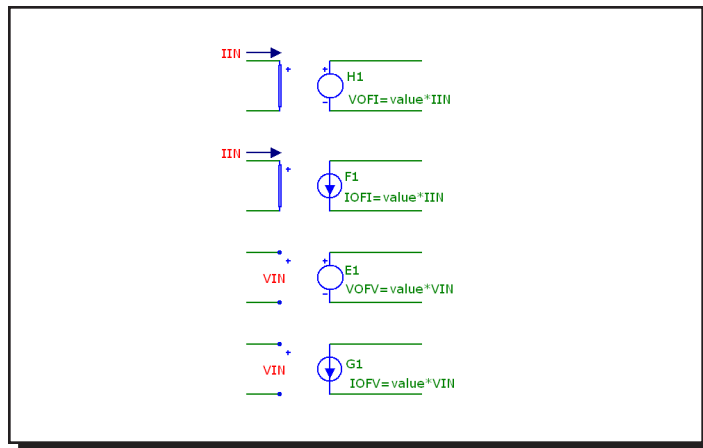


Figure 22-5 Dependent sources-linear

Dependent sources (SPICE E, F, G, H devices)

Standard SPICE formats:

Syntax of the voltage-controlled voltage source

E<name> <plusout> <minusout> [POLY(<k>)] *n1p n1m*
+ [*n2p n2m...nkp nkm*] *p0* [*p1...pk*] [IC=*c1* [,*c2* [,*c3*... [,*ck*]]]]

Syntax of the current-controlled current source

F<name> <plusout> <minusout> [POLY(<k>)] *v1* [*v2...vk*]
+ *p0* [*p1...pk*] [IC=*c1* [,*c2* [,*c3*... [,*ck*]]]]

Syntax of the voltage-controlled current source

G<name> <plusout> <minusout> [POLY(<k>)]
+ *n1p n1m* [*n2p n2m...nkp nkm*] *p0* [*p1...pk*]
[IC=*c1* [,*c2* [,*c3*... [,*ck*]]]]

Syntax of the current-controlled voltage source

H<name> <plusout> <minusout> [POLY(<k>)] *v1* [*v2...vk*]
+ *p0* [*p1...pk*] [IC=*c1* [,*c2* [,*c3*... [,*ck*]]]]

Standard PSpice™ supported formats:

Extended syntax of the voltage-controlled voltage source

[E | G]<name> <plusout> <minusout> VALUE = {<expression>}

[E | G]<name> <plusout> <minusout> TABLE {<expression>} =
+ <<input value>, <output value>>*

[E | G]<name> <plusout> <minusout> LAPLACE {<expression>} =
+ {<Laplace transfer function>}

[E | G]<name> <plusout> <minusout> FREQ
+ {<expression>} = [KEYWORD]
+ <<frequency value>, <magnitude value>, <phase value>>*

n1p is the first positive controlling node.

n1m is the first negative controlling node.

nkp is the k'th positive controlling node.

nkm is the k'th negative controlling node.

p0 is the first polynomial coefficient.

pk is the k'th polynomial coefficient.

v1 is the voltage source whose current is the first controlling variable.

vk is the voltage source whose current is the k 'th controlling variable.
 $c1$ is the 1'st initial condition.
 ck is the k 'th initial condition.

SPICE Examples

```
E2 7 4 POLY(2) 10 15 20 25 1.0 2.0 10.0 20.0
G2 7 4 POLY(3) 10 15 20 25 30 35 1.0 2.0 3.0 10.0 20.0 30.0
F2 7 4 POLY(2) V1 V2 1.0 2.0 10.0 20.0
H2 7 4 POLY(3) V1 V2 V3 1.0 2.0 3.0 10.0 20.0 30.0
E1 10 20 FREQ {V(1,2)} = (0,0,0) (1K,0,0) (10K,0.001,0)
G1 10 20 TABLE {V(5,6)*V(3)} = (0,0) (1,1) (2,3.5)
E2 10 20 LAPLACE {V(5,6)} = {1/(1+.001*S+1E-8*S*S)}
```

Schematic format

The schematic attributes are similar to the standard SPICE format without the *<plusout>* and *<minusout>* node numbers. The TABLE, VALUE, LAPLACE, and FREQ features are not supported in the schematic versions of the E, F, G, and H devices. These features are supported in the Function and Laplace devices, described later in this chapter.

PART attribute

<name>

Example

G1

VALUE attribute

[POLY(< k >)] $n1p$ $n1m$ [$n2p$ $n2m$... nkp nkm] $p0$ [$p1$... pk]
 + [IC= $c1$ [, $c2$ [, $c3$... [, ck]]]]

[POLY(< k >)] $n1p$ $n1m$ [$n2p$ $n2m$... nkp nkm] $p0$ [$p1$... pk]
 + [IC= $c1$ [, $c2$ [, $c3$... [, ck]]]]

[POLY(< k >)] $v1$ [$v2$... vk] $p0$ [$p1$... pk] [IC= $c1$ [, $c2$ [, $c3$... [, ck]]]]

[POLY(< k >)] $v1$ [$v2$... vk] $p0$ [$p1$... pk] [IC= $c1$ [, $c2$ [, $c3$... [, ck]]]]

Examples

```
POLY(2) 10 15 20 25 1.0 2.0 10.0 20.0
POLY(3) 10 15 20 25 30 35 1.0 2.0 3.0 10.0 20.0 30.0
POLY(2) V1 V2 1.0 2.0 10.0 20.0
POLY(3) V1 V2 V3 1.0 2.0 3.0 10.0 20.0 30.0
```

Model equations

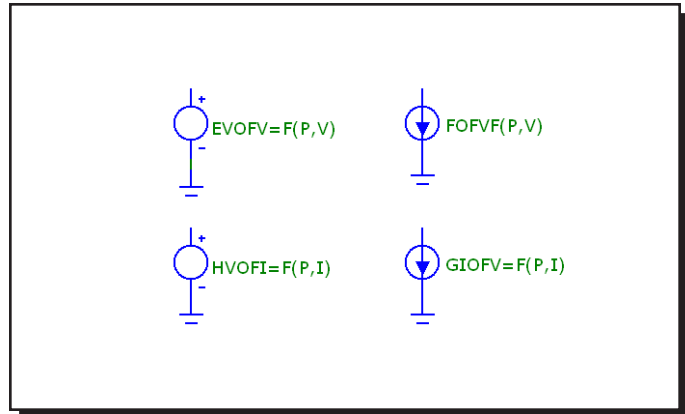


Figure 22-6 Dependent sources-SPICE poly

When the POLY keyword is not used, the general equation for the dependent source function is:

$$F = p_0 + p_1 \cdot V_1 + p_2 \cdot V_1^2 + p_3 \cdot V_1^3 + \dots + p_k \cdot V_1^k$$

F is the output value of the dependent voltage or current source.

V_1 is the k independent variable value.

$p_0, p_1, p_2, \dots, p_k$ are the k + 1 polynomial coefficients.

When the POLY keyword is used, the polynomial is computed as follows

$$F = \sum_{j=0}^n p_j \prod_{k=1}^n V_k^{E_k}$$

The values of the exponents $E_1, E_2, E_3, \dots, E_n$ are chosen by a procedure which is best understood by referring to Table 22-1. For a description of how the LAPLACE and FREQ versions work, see the Laplace Sources section of this chapter and the introduction to Chapter 21, "Analog Behavioral Modeling."

KEYWORD determines how the tabular data is interpreted:

MAG	Magnitude is interpreted as an actual value.
DB	Magnitude is interpreted as a decibel value.
RAD	Phase is interpreted as radians rather than degrees.
R_I	Magnitude is interpreted as the real part. Phase is interpreted as the imaginary part.

	Number of input variables (Order)			
	1	2	3	4
Coefficient	E1	E1 E2	E1 E2 E3	E1 E2 E3 E4
P0	0	0 0	0 0 0	0 0 0 0
P1	1	1 0	1 0 0	1 0 0 0
P2	2	0 1	0 1 0	0 1 0 0
P3	3	2 0	0 0 1	0 0 1 0
P4	4	1 1	2 0 0	0 0 0 1
P5	5	0 2	1 1 0	2 0 0 0
P6	6	3 0	1 0 1	1 1 0 0
P7	7	2 1	0 2 0	1 0 1 0
P8	8	1 2	0 1 1	1 0 0 1
P9	9	0 3	0 0 2	0 2 0 0
P10	10	4 0	3 0 0	0 1 1 0
P11	11	3 1	2 1 0	0 1 0 1
P12	12	2 2	2 0 1	0 0 2 0
P13	13	1 3	1 2 0	0 0 1 1
P14	14	0 4	1 1 1	0 0 0 2
P15	15	5 0	1 0 2	3 0 0 0
P16	16	4 1	0 3 0	2 1 0 0
P17	17	3 2	0 2 1	2 0 1 0
P18	18	2 3	0 1 2	2 0 0 1
P19	19	1 4	0 0 3	1 2 0 0

Table 22-1 Polynomial exponents

The lightly shaded parts of the table mark the coefficients used for summing the input variables. The heavily shaded portions of the table mark the coefficients used for forming a product of the input variables. Other combinations of polynomial products are shown in the rest of the table.

For example, to create a voltage source whose value equals the sum of three input voltages, use this:

E1 4 0 POLY(3) 1 0 2 0 3 0 0 1 1 1

This creates a voltage source whose output is a third-order polynomial function of three sets of differential voltages.

Input variable 1 = $V(1) - V(0) = V(1)$ = voltage on node 1
 Input variable 2 = $V(2) - V(0) = V(2)$ = voltage on node 2
 Input variable 3 = $V(3) - V(0) = V(3)$ = voltage on node 3

The exponents $E_1=1$, $E_2=1$, and $E_3=1$ are chosen from the p_1 , p_2 , and p_3 rows, respectively, of the 3'rd order column. The output of this source is:

$$\begin{aligned} V &= p_0 \cdot V_1^0 \cdot V_2^0 \cdot V_3^0 + p_1 \cdot V_1^1 \cdot V_2^0 \cdot V_3^0 + p_2 \cdot V_1^0 \cdot V_2^1 \cdot V_3^0 + p_3 \cdot V_1^0 \cdot V_2^0 \cdot V_3^1 \\ V &= p_0 + p_1 \cdot V_1 + p_2 \cdot V_2 + p_3 \cdot V_3 \\ V &= 0 + 1 \cdot V_1 + 1 \cdot V_2 + 1 \cdot V_3 \\ V &= V_1 + V_2 + V_3 \end{aligned}$$

To create a current source whose value equals the product of the current flowing in two sources, use this:

F1 3 0 POLY(2) V1 V2 0 0 0 0 1

This creates a current source whose output is a second order polynomial function of the current flowing in the sources V_1 and V_2 .

Input variable 1 = I_1 = current flowing through V_1
 Input variable 2 = I_2 = current flowing through V_2

The exponents $E_1=1$ and $E_2=1$ are chosen from the p_4 row and second order column. The output of this source is:

$$\begin{aligned} I &= p_0 \cdot I_1^0 \cdot I_2^0 + p_1 \cdot I_1^1 \cdot I_2^0 + p_2 \cdot I_1^0 \cdot I_2^1 + p_3 \cdot I_1^2 \cdot I_2^0 + p_4 \cdot I_1^1 \cdot I_2^1 \\ I &= 0 \cdot I_1^0 \cdot I_2^0 + 0 \cdot I_1^1 \cdot I_2^0 + 0 \cdot I_1^0 \cdot I_2^1 + 0 \cdot I_1^2 \cdot I_2^0 + 1 \cdot I_1^1 \cdot I_2^1 \\ I &= I_1 \cdot I_2 \end{aligned}$$

Diode

SPICE format

Syntax

D<name> <anode> <cathode> <model name> [area] [OFF]
+ [IC=<vd>]

Example

D1 7 8 1N914 1.0 OFF IC=.001

Schematic format

PART attribute

<name>

Example

D1

VALUE attribute

[area] [OFF] [IC=<vd>]

Example

10.0 OFF IC=0.65

MODEL attribute

<model name>

Example

1N914

Both formats

[area] multiplies or divides model parameters as shown in the model parameters table. The presence of the OFF keyword forces the diode off during the first iteration of the DC operating point. The initial condition, [IC=<vd>], assigns an initial voltage to the junction in transient analysis if no operating point is done (or if the UIC flag is set).

Model statement form

.MODEL <model name> D ([model parameters])

Example

.MODEL 1N4434 D (IS=1E-16 RS=0.55 TT=5N)

Diode model parameters

The diode model is the standard PSpice™ diode model with an additional linear parallel resistance added to account for leakage effects.

Name	Parameter	Units	Def	Area
Level	Model level (1=SPICE2G, 2=PSpice)		1.0	
IS	Saturation current	A	1E-14	*
N	Emission coefficient		1.00	
ISR	Recombination current param.	A	0.00	*
NR	Emission coefficient for ISR		2.00	
IKF	High-injection knee current	A	∞	*
BV	Reverse breakdown knee voltage	V	∞	
IBV	Reverse breakdown knee current	A	1E-10	*
NBV	Reverse breakdown ideality		1	
IBVL	Low-level reverse breakdown current	A	0	*
NBVL	Low-level reverse breakdown ideality		1	
RS	Parasitic series resistance	Ω	0	/
TT	Transit time	S	0.00	
CJO	Zero-bias junction cap.	F	0.00	*
VJ	Built-in potential	V	1.00	
M	Grading coefficient		0.50	
FC	Forward-bias depletion coefficient		0.50	
EG	Energy gap	eV	1.11	
XTI	Temperature exponent for IS		3.00	
TIKF	IKF temperature coefficient(linear)	$^{\circ}\text{C}^{-1}$	0.00	
TBV1	BV temperature coefficient(linear)	$^{\circ}\text{C}^{-1}$	0.00	
TBV2	BV temperature coefficient(quadratic)	$^{\circ}\text{C}^{-2}$	0.00	
TRS1	RS temperature coefficient(linear)	$^{\circ}\text{C}^{-1}$	0.00	
TRS2	RS temperature coefficient(quadratic)	$^{\circ}\text{C}^{-2}$	0.00	
KF	Flicker noise coefficient		0.00	
AF	Flicker noise exponent		1.00	
RL	Leakage resistance	Ω	∞	
T_MEASURED	Measured temperature	$^{\circ}\text{C}$		
T_ABS	Absolute temperature	$^{\circ}\text{C}$		
T_REL_GLOBAL	Relative to current temperature	$^{\circ}\text{C}$		
T_REL_LOCAL	Relative to AKO temperature	$^{\circ}\text{C}$		

The parameters ISR, NR, IKF, NBV, IBVL, NBVL, TIKF, TBV1, and TBV2 are used only if Level is set to 2.

Model equations

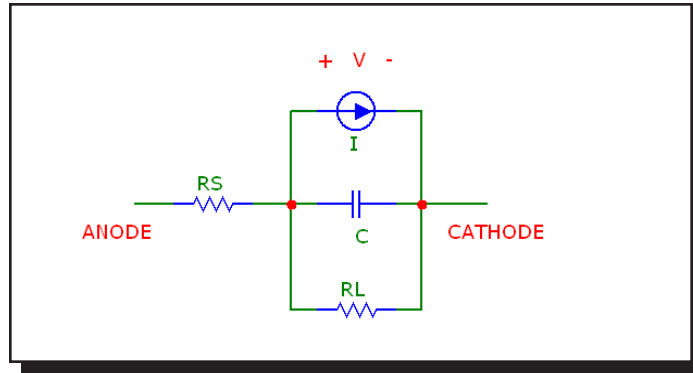


Figure 22-7 Diode model

Notes and Definitions

The model parameters IS, ISR, IKF, IBV, IBVL, and CJO are multiplied by [area] and the model parameter RS is divided by [area] prior to their use in the diode model equations below.

T is the device operating temperature and Tnom is the temperature at which the model parameters are measured. Both are expressed in degrees Kelvin. T is set to the analysis temperature from the Analysis Limits dialog box. TNOM is determined by the Global Settings TNOM value, which can be overridden with a .OPTIONS statement. T and Tnom may both be customized for each model by specifying the parameters T_MEASURED, T_ABS, T_REL_GLOBAL, and T_REL_LOCAL. See the .MODEL section of Chapter 26, "Command Statements", for more information on how device operating temperatures and Tnom temperatures are calculated.

Temperature Effects

$$VT = k \cdot T / q = 1.38E-23 \cdot T / 1.602E-19$$

$$IS(T) = IS \cdot e^{((T/Tnom - 1) \cdot EG / (VT \cdot N))} \cdot (T/Tnom)^{(XTI/N)}$$

$$ISR(T) = ISR \cdot e^{((T/Tnom - 1) \cdot EG / (VT \cdot NR))} \cdot (T/Tnom)^{(XTI/NR)}$$

$$IKF(T) = IKF \cdot (1 + TIKF \cdot (T - Tnom))$$

$$BV(T) = BV \cdot (1 + TBV1 \cdot (T - Tnom) + TBV2 \cdot (T - Tnom)^2)$$

$$RS(T) = RS \cdot (1 + TRS1 \cdot (T - Tnom) + TRS2 \cdot (T - Tnom)^2)$$

$$VJ(T) = VJ \cdot (T/Tnom) - 3 \cdot VT \cdot \ln(T/Tnom) - EG(Tnom) \cdot (T/Tnom) + EG(T)$$

$$EG(T) = 1.17 - .000702 \cdot T^2 / (T + 1108)$$

$$EG(TNOM) = 1.17 - .000702 \cdot TNOM^2 / (TNOM + 1108)$$

$$CJO(T) = CJO \cdot (1 + M \cdot (.0004 \cdot (T - Tnom) + (1 - VJ(T)/VJ)))$$

Current source equations

$$I = I_{fwd} - I_{rev}$$

$$I_{nrm} = IS(T) \cdot (e^{(V/(VT \cdot N))} - 1)$$

If $IKF > 0$

$$K_{inj} = (IKF / (IKF + I_{nrm}))^{1/2}$$

Else

$$K_{inj} = 1$$

$$I_{rec} = ISR(T) \cdot (e^{(V/(VT \cdot NR))} - 1)$$

$$K_{gen} = ((1 - V/VJ(T))^2 + 0.005)^{M/2}$$

$$I_{rev} = IBV(T) \cdot (e^{-(V+BV)/(VT \cdot NBV)} - 1) + IBVL(T) \cdot (e^{-(V+BV)/(VT \cdot NBVL)} - 1)$$

$$I_{fwd} = K_{inj} \cdot I_{nrm} + K_{gen} \cdot I_{rec}$$

Capacitance Equations

Transit Time capacitance

G_d = DC conductance of the diode

$$C_T = T_T \cdot G_d$$

If $V \leq FC \cdot VJ(T)$ then

$$C_J = C_{JO}(T) \cdot (1 - V/VJ(T))^{-M}$$

Else

$$C_J = C_{JO}(T) \cdot (1 - FC)^{-(1+M)} \cdot (1 - FC \cdot (1+M) + M \cdot (V/VJ(T)))$$

$$C = C_T + C_J$$

Noise Equations

Flicker and shot noise is generated by the diode current, I . The resistors R_S and R_L generate thermal noise. The noise currents are computed as follows:

$$I_{RS} = (4 \cdot k \cdot T / R_S)^{0.5}$$

$$I_{RL} = (4 \cdot k \cdot T / R_L)^{0.5}$$

$$I_1 = (2 \cdot q \cdot I + KF \cdot I^{AF} / \text{Frequency})^{0.5}$$

Diode (Philips JUNCAP and JUNCAP2)

SPICE format

Syntax

D<name> <anode> <cathode> <model name>
+ AB=<diffusion_area>
+ LS=<nongate_sw_length>
+ LG=<gate_sw_length>
+ MULT=<no_parallel>

Examples

D1 7 8 MM1 LS=.2u LG=.3u AB=2.4p MULT=50
D2 7 8 MDX LS=11u LG=11u AB=121p MULT=2

Schematic format

PART attribute

<name>

Example

D1

VALUE attribute

AB=<diffusion_area>
LS=<nongate_sw_length>
LG=<gate_sw_length>
MULT=<no_parallel>

Example

LS=.46u LG=.12u AB=1.5p MULT=5

MODEL attribute

<model name>

Example

MM2

Model statement forms

.MODEL <model name> D (LEVEL=4 [*model parameters*])
.MODEL <model name> D (LEVEL=200 [*model parameters*])

Examples

.MODEL JUNCAP D (LEVEL=4 ...)

.MODEL JUNCAP2 D (LEVEL=200 ...)

<*diffusion_area*> is the diffusion area.

<*nongate_sw_length*> is the length of the sidewall of the diffusion area AB which is under the gate.

<*gate_sw_length*> is the length of the sidewall of the diffusion area AB which is under the gate.

<*no_parallel*> is the number of devices in parallel.

These device instance parameters can be specified as device attributes or as model parameters. Device attributes, if specified, supersede model parameters.

The JUNCAP models are intended to describe the behavior of the diodes that are formed by the source, drain, or well-to-bulk junctions in MOS devices. The current equations are formulated and AC effects are modeled via charge equations using the quasi-static approximation. In order to include the effects of differences in the sidewall, bottom, and gate edge-junction profiles, each is handled separately in the model. Both diffusion and generation currents are treated in the model, each with its own temperature and voltage dependence.

The JUNCAP and JUNCAP2 models are provided for use with the Philips MOSFET models 11, 20, 31, and 40. A subcircuit is usually used to bundle one of the diodeless Philips MOSFET models (11, 20, 31, 40) with one or more of the JUNCAP models. The PSP MOSFET employs its own built-in JUNCAP2 model.

Model parameters for JUNCAP diode level 4

Name	Default	Description
AB	1p	Diffusion area
CJBR	1p	Bottom junction capacitance at $V=V_R$
CJGR	1p	Gate edge junction capacitance at $V=V_R$
CJSR	1p	Sidewall junction capacitance at $V=V_R$
DTA	0	Temperature offset of the junction with respect to T_A
IMAX	1K	Explosion current
JSDBR	1m	Bottom saturation-current density due to diffusion from the back contact
JSDGR	1m	Gate edge saturation-current density due to diffusion from the back contact
JSDSR	1m	Sidewall saturation-current density due to diffusion from the back contact
JSGBR	1m	Bottom saturation-current density due to electron-hole generation at $V=V_R$
JSGGR	1m	Gate edge saturation-current density due to diffusion from the back contact
JSGSR	1m	Sidewall saturation-current density due to electron-hole generation at $V=V_R$
LG	1u	Length of the sidewall of the diffusion area AB which is under the gate
LS	1u	Length of the sidewall of the diffusion area AB which is not under the gate
MULT	1	Number of devices in parallel
NB	1	Emission coefficient of the bottom forward current
NG	1	Emission coefficient of the gate edge forward current
NS	1	Emission coefficient of the sidewall forward current
PB	400m	Bottom junction grading coefficient
PG	400m	Gate edge junction grading coefficient
PS	400m	Sidewall junction grading coefficient
TR	25	Temperature at which the parameters have been determined
VB	900m	Reverse breakdown voltage
VDBR	1	Diffusion voltage of the bottom junction at $T=TR$
VDGR	1	Diffusion voltage of the gate edge junction at $T=TR$
VDSR	1	Diffusion voltage of the sidewall junction at $T=TR$
VR	0	Voltage at which the parameters have been determined

Model parameters for JUNCAP2 diode level 200

Name	Default	Description
AB	1p	Junction area
CBBTBOT	1p	Band-to-band tunneling prefactor of bottom component
CBBTGAT	.001f	Band-to-band tunneling prefactor of gate-edge component
CBBTSTI	.001f	Band-to-band tunneling prefactor of STI-edge component
CJORBOT	1m	Zero-bias capacitance per unit area of bottom component
CJORGAT	1n	Zero-bias capacitance per unit length of gate-edge component
CJORSTI	1n	Zero-bias capacitance per unit length of STI-edge component
CSRHBOT	100	Shockley-Read-Hall prefactor of bottom component
CSRHGAT	100u	Shockley-Read-Hall prefactor of gate-edge component
CSRHSTI	100u	Shockley-Read-Hall prefactor of STI-edge component
CTATBOT	100	Trap-assisted tunneling prefactor of bottom component
CTATGAT	100u	Trap-assisted tunneling prefactor of gate-edge component
CTATSTI	100u	Trap-assisted tunneling prefactor of STI-edge component
DTA	0	Temperature offset with respect to ambient temperature
FBBTRBOT	1G	Normalization field at the reference temperature for band-to-band tunneling of bottom component
FBBTRGAT	1G	Normalization field at the reference temperature for band-to-band tunneling of gate-edge component
FBBTRSTI	1G	Normalization field at the reference temperature for band-to-band tunneling of STI-edge component
IDSATRBOT	1p	Saturation current density at the reference temperature of bottom component

Model parameters for JUNCAP2 diode level 200

Name	Default	Description
IDSATRGAT	.001f	Saturation current density at the reference temperature of gate-edge component
IDSATRSTI	.001f	Saturation current density at the reference temperature of STI-edge component
IMAX	1K	Maximum current up to which forward current behaves exponentially
LG	1u	Gate-edge part of junction perimeter
LS	1u	STI-edge part of junction perimeter
MEFFTATBOT	250m	Effective mass (in units of m_0) for trap-assisted tunneling of bottom component
MEFFTATGAT	250m	Effective mass (in units of m_0) for trap-assisted tunneling of gate-edge component
MEFFTATSTI	250m	Effective mass (in units of m_0) for trap-assisted tunneling of STI-edge component
MULT	1	Number of devices in parallel
PBOT	500m	Grading coefficient of bottom component
PBRBOT	4	Breakdown onset tuning parameter of bottom component
PBRGAT	4	Breakdown onset tuning parameter of gate-edge component
PBRSTI	4	Breakdown onset tuning parameter of STI-edge component
PGAT	500m	Grading coefficient of gate-edge component
PHIGBOT	1.16	Zero-temperature bandgap voltage of bottom component
PHIGGAT	1.16	Zero-temperature bandgap voltage of gate-edge component
PHIGSTI	1.16	Zero-temperature bandgap voltage of STI-edge component
PSTI	500m	Grading coefficient of STI-edge component
STFBBTBOT	-1m	Temperature scaling parameter for band-to-band tunneling of bottom component
STFBBTGAT	-1m	Temperature scaling parameter for band-to-band tunneling of gate-edge component
STFBBTSTI	-1m	Temperature scaling parameter for band-to-band tunneling of STI-edge component
TRJ	21	Reference temperature

Model parameters for JUNCAP2 diode level 200

Name	Default	Description
TYPE	1	Type parameter, 1=n-type, -1=p-type
VBIRBOT	1	Built-in voltage at the reference temperature of bottom component
VBIRGAT	1	Built-in voltage at the reference temperature of gate-edge component
VBIRSTI	1	Built-in voltage at the reference temperature of STI-edge component
VBRBOT	10	Breakdown voltage of bottom component
VBRGAT	10	Breakdown voltage of gate-edge component
VBRSTI	10	Breakdown voltage of STI-edge component
XJUNGAT	100n	Junction depth of gate-edge component
XJUNSTI	100n	Junction depth of STI-edge component

Function sources

Schematic format

PART attribute

<name>

Example

F1

VALUE attribute for formula (NFV and NFI) type

<formula>

Example of formula type

$10 * \sin(2 * \pi * 1E6 * T) * V(3) * I(L1) * \exp(-V(IN)/100NS)$

FREQ attribute

[<fexpr>]

Example

$1200 * (1 + \sqrt{F/1e6})$

DERIVATIVE attribute

[<Algebraic> | <Numeric> | <Default>]

Example

Algebraic

NOISE EXPRESSION attribute for NFI only

[<noise_expr>]

Example

$1200 * (1 + \sqrt{F/1e6})$

TABLE attribute for table (NTIOFI, NTIOFV, NTVOFV, NTVOFI) types

(<x1,y1>) (<x2,y2>) ... ([<yk,yk>])

Curly braces {} are required for expressions and optional for variables.

Examples of table type

(-1m,25) (1m,25) (2m,30)

({start - 1m}, {25*level}) (end,level) ({end+3m}, level2)

Function sources provide the principle time domain analog behavioral modeling capability. You can express a voltage or current source's time-domain dependence on circuit variables as an algebraic formula or as a tabular function. The two basic types are distinguished by the way the value of the output current or voltage is calculated.

Formula type

The Formula type, which is similar to the SPICE3 B device, uses an algebraic formula, or expression, to compute the value of the output variable as a function of any set of valid time-domain variables. There are two versions of this source:

NFI	Function current source
NFV	Function voltage source

Here is an example of an expression that models a vacuum triode:

$$K * \text{pow}((V(\text{Plate}) - V(\text{Cathode}) + \text{Mu} * (V(\text{Grid}) - V(\text{Cathode}))), 1.5)$$

Table type

The Table type, which is similar to the SPICE3 A device, uses a table of ordered data pairs which describe the output variable as a function solely of the input variable. The table describes a time-domain transfer function.

The input variable for a Table source may be either:

- Current flowing into the positive input lead.
- Voltage between the positive input lead and the negative input lead.

There are four basic types of Table source:

<u>Source type</u>	<u>Input</u>	<u>Output</u>	<u>Definition</u>
Current-controlled current source	I	I	NTIOFI
Current-controlled voltage source	I	V	NTVOFI
Voltage-controlled voltage source	V	V	NTVOFV
Voltage-controlled current source	V	I	NTIOFV

There are several rules for constructing the data pairs in the TABLE attribute.

1. The x,y pairs are separated by commas, pairs are enclosed in parentheses and are separated by spaces. The x,y values may be replaced by expressions containing constants or symbolic variables created with a .define statement.

Expressions are evaluated only once, in the setup phase of the analysis, so they must not contain variables that vary during an analysis run, like V(1) or T, or even simulation control variables like tmin that are unknown when the expressions are evaluated.

2. Data pairs must be arranged in input ascending order.

$$x1 < x2 < \dots < xk$$

3. Expressions whose value stays constant within an analysis run may be used within a table. These must be enclosed with curly braces {}. For example;

$$0, 1 \quad 1, 2 \quad 2, \{\text{VAR1}\}$$

VAR1 is created with a .define or .param statement and may change between runs.

Output is calculated from the input value as follows:

1. The output value is constant at $y1$ for input values below $x1$.
2. The output value is constant at yk for input values above xk .
3. Output values are interpolated for input values between table values.

For example:

$$(-.010, -10) \quad (.010, 10)$$

For an NTVOFV source, this describes an ideal amplifier having a gain of 1000 with the output clipped to ± 10 volts. The output value when the input is greater than .010 is limited to +10.0. Similarly, the output value when the input is less than -.010 is limited to -10.0.

FREQ usage

If $\langle fexpr \rangle$ is present, it replaces the ordinary small-signal AC incremental value determined during the operating point. $\langle fexpr \rangle$ may be a simple number or an expression involving frequency domain variables. The expression is evaluated during AC analysis as the frequency changes. For example, suppose the $\langle fexpr \rangle$ attribute is this:

$$1+V(3)*(1+1e6/F)$$

In this expression, F refers to the AC analysis frequency variable and V(3) refers to the AC small-signal voltage from node 3 to ground. There is no time-domain equivalent to *<fexpr>*. Even if *<fexpr>* is present, only *<value>* will be used in transient analysis.

NOISE_EXPRESSION usage

If *noise_expr* is present, it generates a noise current equal to the expression. For example to simulate shot noise you might use an expression like this:

$$1E-16 * \text{pow}(6.5\text{ma}, 1.1) / F$$

Note that the expression should contain only frequency (F) dependent variables. The feature is available only in the NFI source.

DERIVATIVE attribute

Derivatives of the expressions are evaluated in several ways:

Algebraic:

Algebraic formulas are created for each derivative of each variable in the expression. This is generally the preferred way as it is usually more accurate. However, complex expressions with many variables sometimes result in large unwieldy derivative expressions which take much longer to evaluate than simple numerical derivatives.

Numeric:

Derivatives are calculated numerically by simple perturbation. This method often works the best when the formulas are complex but well behaved and have no discontinuities.

Default:

In this case derivatives are evaluated according to the state of the Global Settings NUMERIC_DERIVATIVE flag.

See the sample circuit T1 for an example of table sources, and the sample circuits F1, F2, F3, and F4 for examples of formula sources.

GaAsFET

SPICE format

Syntax

B<name> <drain> <gate> <source> <model name>
+ [area] [OFF] [IC=<vds>[,vgs]]

Example

B1 5 7 9 2N3531 1 OFF IC=1.0,2.5

Schematic format

PART attribute

<name>

Example

B1

VALUE attribute

[area] [OFF] [IC=vds[,vgs]]

Example

1.5 OFF IC=0.05,1.00

MODEL attribute

<model name>

Example

GFX_01

The device is an n-channel device. There is no p-channel version. Level 1 specifies the Curtice model, level 2 specifies the Raytheon or Statz model, and level 3 specifies the Triquint model. The [OFF] keyword forces the device off for the first iteration of the operating point. The initial condition, [IC=vds[,vgs]], assigns initial voltages to the drain-source and gate-source terms. Additional information on the model can be found in references (14) and (15).

Model statement form

.MODEL <model name> GASFET ([model parameters])

Example

.MODEL B1 GASFET (VTO=-2 ALPHA=2 BETA=1E-4 LAMBDA=1E-3)

Model Parameters

Name	Parameter	Units	Def.	Level Area
LEVEL	Model level (1, 2, or 3)		1	ALL
VTO	Pinch-off voltage	V	-2.50	ALL
ALPHA	Saturation voltage parameter	V ⁻¹	2.00	ALL
BETA	Transconductance coefficient	A/V ²	0.10	ALL *
B	Doping tail extender	V ⁻¹	0.30	2
LAMBDA	Channel-length modulation	V ⁻¹	0.00	ALL
GAMMA	Static feedback parameter		0.00	3
DELTA	Output feedback parameter	(A-V) ⁻¹	0.00	3
Q	Power law parameter		2.00	3
RG	Gate ohmic resistance	Ω	0.00	ALL /
RD	Drain ohmic resistance	Ω	0.00	ALL /
RS	Source ohmic resistance	Ω	0.00	ALL /
IS	Gate pn saturation current	A	1E-14	ALL
N	Gate pn emission coefficient		1.00	ALL
M	Gate pn grading coefficient		0.50	ALL
VBI	Gate pn potential	V	1.00	ALL
CGD	Zero-bias gate-drain pn cap.	F	0.00	ALL *
CGS	Zero-bias gate-source pn cap.	F	0.00	ALL *
CDS	Fixed drain-source cap.	F	0.00	ALL *
FC	Forward-bias depletion coeff.		0.50	ALL
VDELTA	Capacitance transition volt.	V	0.20	2,3
VMAX	Capacitance limiting voltage	V	0.50	2,3
EG	Bandgap voltage	eV	1.11	ALL
XTI	IS temperature coefficient		0.00	ALL
VTOTC	VTO temperature coefficient	V/°C	0.00	ALL
BETATCE	BETA exp. temperature coeff.	%/°C	0.00	ALL
TRG1	RG temperature coefficient	°C ⁻¹	0.00	ALL
TRD1	RD temperature coefficient	°C ⁻¹	0.00	ALL
TRS1	RS temperature coefficient	°C ⁻¹	0.00	ALL
KF	Flicker-noise coefficient		0.00	ALL
AF	Flicker-noise exponent		1.00	ALL
T_MEASURED	Measured temperature	°C		ALL
T_ABS	Absolute temperature	°C		ALL
T_REL_GLOBAL	Relative to current temp.	°C		ALL
T_REL_LOCAL	Relative to AKO temperature	°C		ALL

GaAsFET model equations

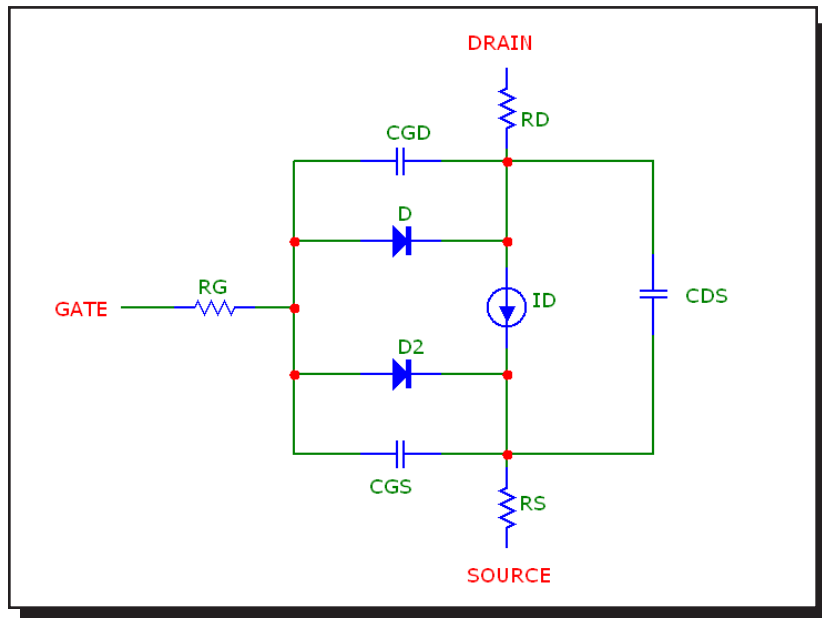


Figure 22-8 The GaAsFET model

Notes and Definitions

The model parameters BETA, CGS, CGD, and CDS are multiplied by $[area]$ and the model parameters RG, RD, and RS are divided by $[area]$ prior to their use in the equations below.

T is the device operating temperature and Tnom is the temperature at which the model parameters are measured. Both are expressed in degrees Kelvin. T is set to the analysis temperature from the Analysis Limits dialog box. TNOM is determined by the Global Settings TNOM value, which can be overridden with a .OPTIONS statement. T and Tnom may both be customized for each model by specifying the parameters T_MEASURED, T_ABS, T_REL_GLOBAL, and T_REL_LOCAL. See the .MODEL section of Chapter 26, "Command Statements", for more information on how device operating temperatures and Tnom temperatures are calculated.

Vgs = Internal gate to source voltage

Vds = Internal drain to source voltage

Id = Drain current

$VT = k \cdot T / q = 1.38E-23 \cdot T / 1.602E-19$

In general, X(T) = Temperature adjusted value of parameter X

Temperature Dependence

$$BETA(T) = BETA \cdot 1.01^{BETATCE \cdot (T - Tnom)}$$

$$EG(T) = 1.16 \cdot 0.000702 \cdot T^2 / (T + 1108)$$

$$VTO(T) = VTO + VTOTC \cdot (T - Tnom)$$

$$IS(T) = IS(Tnom) \cdot e^{(EG/(VT \cdot N)) \cdot (T/Tnom - 1)}$$

$$RG(T) = RG \cdot (1 + TRG1 \cdot (T - Tnom))$$

$$RD(T) = RD \cdot (1 + TRD1 \cdot (T - Tnom))$$

$$RS(T) = RS \cdot (1 + TRS1 \cdot (T - Tnom))$$

$$VBI(T) = VBI \cdot (T/Tnom) - 3 \cdot VT \cdot \ln((T/Tnom)) - EG(Tnom) \cdot (T/Tnom) + EG(T)$$

$$CGS(T) = CGS \cdot (1 + M \cdot (.0004 \cdot (T - Tnom) + (1 - VBI(T)/VBI)))$$

$$CGD(T) = CGD \cdot (1 + M \cdot (.0004 \cdot (T - Tnom) + (1 - VBI(T)/VBI)))$$

Current equations level 1

Cutoff Region : $Vgs \leq VTO(T)$

$$Id = 0$$

Linear and Saturation Region : $Vgs > VTO(T)$

$$Id = BETA(T) \cdot (1 + LAMBDA \cdot Vds) \cdot (Vgs - VTO(T))^2 \cdot \tanh(ALPHA \cdot Vds)$$

Current equations level 2

Cutoff Region : $Vgs \leq VTO(T)$

$$Id = 0$$

Linear and Saturation Region : $Vgs > VTO(T)$

If $0 < Vds < 3/ALPHA$

$$Kt = 1 - (1 - Vds \cdot ALPHA/3)^3$$

Else

$$Kt = 1$$

$$Id = BETA(T) \cdot (1 + LAMBDA \cdot Vds) \cdot (Vgs - VTO(T))^2 \cdot Kt / (1 + B \cdot (Vgs - VTO(T)))$$

Current equations level 3

Cutoff Region : $Vgs \leq VTO(T)$

$$Id = 0$$

Linear and Saturation Region : $Vgs > VTO(T)$

If $0 < Vds < 3/ALPHA$

$$Kt = 1 - (1 - Vds \cdot ALPHA/3)^3$$

Else

$$Kt = 1$$

$$I_{dso} = \text{BETA} \cdot (\text{V}_{gs} - (\text{V}_{TO} - \text{GAMMA} \cdot \text{V}_{ds}))^Q \cdot \text{K}_t$$

$$I_d = I_{dso} / (1 + \text{DELTA} \cdot \text{V}_{ds} \cdot I_{dso})$$

Capacitance equations level 1

If $\text{V}_{gs} \leq \text{FC} \cdot \text{V}_{BI}(\text{T})$

$$C_{gs} = \text{CGS} / (1 - \text{V}_{gs} / \text{V}_{BI}(\text{T}))^M$$

Else

$$C_{gs} = \text{CGS} \cdot (1 - \text{FC})^{-(1-M)} \cdot (1 - \text{FC} \cdot (1+M) + M \cdot (\text{V}_{gs} / \text{V}_{BI}(\text{T})))$$

If $\text{V}_{ds} \leq \text{FC} \cdot \text{V}_{BI}(\text{T})$

$$C_{gd} = \text{CGD} / (1 - \text{V}_{gd} / \text{V}_{BI}(\text{T}))^M$$

Else

$$C_{gd} = \text{CGD} \cdot (1 - \text{FC})^{-(1-M)} \cdot (1 - \text{FC} \cdot (1+M) + M \cdot (\text{V}_{gd} / \text{V}_{BI}(\text{T})))$$

Capacitance equations level 2 and level 3

$$\text{V}_e = (\text{V}_{gs} + \text{V}_{gd} + ((\text{V}_{gs} - \text{V}_{gd})^2 + \text{ALPHA} - 2)^{1/2}) / 2$$

If $(\text{V}_e + \text{V}_{TO}(\text{T}) + ((\text{V}_e - \text{V}_{TO}(\text{T}))^2 + \text{DELTA}^2)^{1/2}) / 2 < \text{V}_{MAX}$

$$\text{V}_n = (\text{V}_e + \text{V}_{TO}(\text{T}) + ((\text{V}_e - \text{V}_{TO}(\text{T}))^2 + \text{DELTA}^2)^{1/2}) / 2$$

Else

$$\text{V}_n = \text{V}_{MAX}$$

$$\text{K}_1 = (1 + \text{V}_e - \text{V}_{TO}(\text{T})) / ((\text{V}_e - \text{V}_{TO}(\text{T}))^2 + \text{DELTA}^2)^{1/2} / 2$$

$$\text{K}_2 = (1 + (\text{V}_{gs} - \text{V}_{gd})) / ((\text{V}_{gs} - \text{V}_{gd})^2 + \text{ALPHA} - 2)^{1/2} / 2$$

$$\text{K}_3 = (1 - (\text{V}_{gs} - \text{V}_{gd})) / ((\text{V}_{gs} - \text{V}_{gd})^2 + \text{ALPHA} - 2)^{1/2} / 2$$

$$C_{gs} = \text{CGS} \cdot \text{K}_2 \cdot \text{K}_1 / (1 - \text{V}_n / \text{V}_{BI}(\text{T}))^{1/2} + \text{CGD} \cdot \text{K}_3$$

$$C_{gd} = \text{CGS} \cdot \text{K}_3 \cdot \text{K}_1 / (1 - \text{V}_n / \text{V}_{BI}(\text{T}))^{1/2} + \text{CGD} \cdot \text{K}_2$$

Noise

The parasitic lead resistances, R_G , R_D , and R_S , generate thermal noise currents.

$$I_g^2 = 4 \cdot k \cdot T / R_G$$

$$I_d^2 = 4 \cdot k \cdot T / R_D$$

$$I_s^2 = 4 \cdot k \cdot T / R_S$$

The drain current generates a noise current.

$$I^2 = 4 \cdot k \cdot T \cdot g_m \cdot 2/3 + \text{KF} \cdot I_d^{\text{AF}} / \text{Frequency}$$

where $g_m = \partial I_d / \partial \text{V}_{gs}$ (at operating point)

IBIS

Schematic format

These are the IBIS input and output models.

PART attribute

<name>

Example

X1

NAME attribute

<subckt_name>

Example

LVC_33_4_MIN

The IBIS primitive comes in four forms:

Type	Purpose
IBIS_Input1	Input only with internal power supplies
IBIS_Input3	Input only with external power supplies
IBIS_Output3	Input, enable, and output pins. Internal power supplies
IBIS_Output5	Input, enable, and output pins. External power supplies

When you place the IBIS part on a schematic, MC9 invokes the IBIS Translator. It lets you select an input or output model from an IBIS source file. MC9 then creates an equivalent SPICE subcircuit model for the chosen part and invokes the Attribute dialog box showing the subcircuit. Click the OK button and the IBIS model is placed in the schematic.

All of this can be done manually by running the IBIS to SPICE Translator, placing the subckt generated by it in a circuit, and creating an IBIS component from the Component editor. The IBIS component and the automatic routines that support it simply make it easier to create an IBIS part.

See the file IBIS3.CIR for an example of how the component is used.

IGBT

SPICE format

Syntax

```
Z<name> <gate> <collector> <emitter> <model name>  
+ [AREA=<area>]  
+ [WB=<base_width>]  
+ [AGD=<agd>]  
+ [KP=<kp>]  
+ [TAU=<tau>]  
+ [OFF]  
+ [IC=[vgs[,vae[,vds[,veb]]]]]
```

Example

```
Z1 1 2 0 IXGH10N170  
+ AREA=1E-4 WB=100U AGD=.1N KP=1E-5  
+ TAU=100N OFF IC=1,2,3,4
```

Schematic format

PART attribute

<name>

Example

Z1

VALUE attribute

```
[AREA=<area>] [WB=<base_width>] [AGD=<agd>] [KP=<kp>]  
[TAU=<tau>] [OFF] [IC=[vgs[,vae[,vds[,veb]]]]]
```

Example

```
AREA=2E-7 WB=10u
```

MODEL attribute

<model name>

Example

```
IXGH10N170
```

This device model is based upon the implementation by Gregory Oziemkiewicz of the IGBT model developed by Allen R. Hefner at the National Institute of Standards and Technology. The parameter names, default values and units

are compatible with the most SPICE versions of the same model.

The *<area>*, *<base_width>*, *<agd>*, *<kp>*, and *<tau>* attributes, if specified, supersede model parameters of the same name.

The [OFF] keyword forces the device off for the first iteration of the operating point. The initial condition, IC=[vgs[,vae[,vds[,veb]]]], assigns initial voltages to the model nodes. Additional model information can be found in these references:

Implementation and Development of the NIST IGBT Model in a SPICE-based Commercial Circuit Simulator, Gregory Todd Oziemkiewicz, Engineer's Thesis, University of Florida, December 1995.

Modelling Buffer Layer IGBT's for Circuit Simulation, Allen R. Hefner Jr, IEEE Transactions on Power Electronics, Vol. 10, No. 2, March 1995

An Experimentally Verified IGBT Model Implemented in the Saber Circuit Simulator, Allen R. Hefner, Jr., Daniel M. Diebolt, IEE Transactions on Power Electronics, Vol. 9, No. 5, September 1994

Model parameters for IGBT model

Name	Default	Parameter
AGD	5u	Gate-drain overlap area
AREA	10u	Device area
BVF	1	Avalanche uniformity factor
BVN	4	Avalanche multiplication exponent
CGS	12.4n	Gate-source capacitance per unit area
COXD	35n	Gate-drain oxide capacitance per unit area
JSNE	650f	Emitter saturation current density
KF	1	Triode region factor
KP	380m	MOS transconductance
MUN	1.5K	Electron mobility
MUP	450	Hole mobility
NB	200T	Base doping
T_ABS	undefined	Absolute temperature
T_MEASURED	undefined	Parameter measured temperature
T_REL_GLOBAL	undefined	Relative to current temperature
T_REL_LOCAL	undefined	Relative to AKO model temperature
TAU	7.1u	Ambipolar recombination lifetime
THETA	20m	Transverse field factor

VT	4.7	Threshold voltage
VTD	1m	Gate-drain overlap depletion threshold
WB	90u	Metallurgical base width

IGBT model

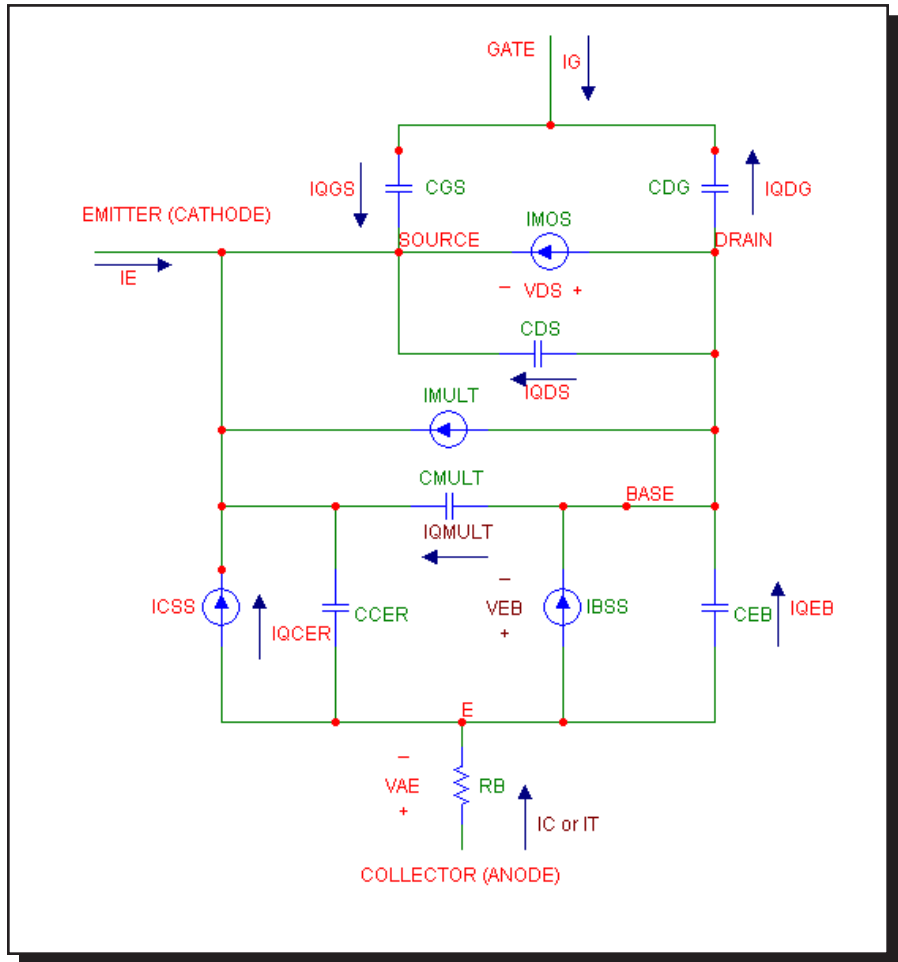


Figure 22-9 The IGBT model

Definitions

- IMOS = MOSFET channel current (amps)
- IC = IT = Collector or anode current (amps)
- ICSS = Steady-state (bipolar) collector current (amps)
- IBSS = Steady-state base current (amps)

IMULT = Avalanche multiplication current (amps)
 b = Ambipolar mobility ratio
 Dp = Hole diffusivity (cm²/sec)
 Qeb = Instantaneous excess carrier base charge (coulombs)
 Qb = Background mobile carrier charge (coulombs)
 NI = Intrinsic carrier concentration (cm⁻³)
 M = Avalanche multiplication factor
 Igen = Bipolar collector-base thermally generated current (amps)
 Esi = Dielectric permittivity of silicon
 q = Electronic charge = 1.6e-19 (coulombs)
 wb = 100•WB (cm)
 wbcj = sqrt(2•Esi•(0.6+vbc)/(q•NB)) (cm)
 W = Quasi-neutral base width = wb - wbcj (cm)
 Rb = Conductivity-modulated base resistance (ohms)
 Vgst = Vgs - VT (volts)

DC current source equations

IMOS

$$\begin{aligned}
 &V_{gst} < 0 \\
 &IMOS = 0
 \end{aligned}$$

$$\begin{aligned}
 &V_{ds} \leq V_{gst}/KF \\
 &IMOS = KF \cdot KP \cdot (V_{gst} \cdot V_{ds} - 0.5 \cdot KF \cdot V_{ds}^2) / (1 + THETA \cdot V_{gst})
 \end{aligned}$$

$$\begin{aligned}
 &\text{For } V_{ds} > V_{gst}/KF \\
 &IMOS = KP \cdot V_{gst}^2 / (2 \cdot (1 + THETA \cdot V_{gst}))
 \end{aligned}$$

IC (or IT)

$$\begin{aligned}
 &V_{gst} < 0 \\
 &IC = IT = V_{ae}/R_b
 \end{aligned}$$

ICSS

$$\begin{aligned}
 &V_{eb} \leq 0 \\
 &ICSS = 0
 \end{aligned}$$

$$\begin{aligned}
 &V_{eb} > 0 \\
 &ICSS = IT / (1 + b) + b \cdot (4 \cdot D_p / W^2) \cdot Q_{eb} / (1 + b)
 \end{aligned}$$

IBSS

$$\begin{aligned} \text{Veb} &\leq 0 \\ \text{IBSS} &= 0 \end{aligned}$$

$$\begin{aligned} \text{Veb} &> 0 \\ \text{IBSS} &= \text{Qeb}/\text{TAU} + (\text{Qeb}^2/\text{QB}) \cdot (4 \cdot \text{NB}^2/\text{Ni}^2) \cdot \text{JSNE} \cdot \text{AREA} \end{aligned}$$

IMULT

$$\text{Imult} = (\text{M}-1) \cdot (\text{IMOS} + \text{ICSS}) + \text{M} \cdot \text{Igen}$$

Charge / Capacitance equations

Gate-source

$$\begin{aligned} \text{Cgs} &= \text{CGS} \\ \text{Qgs} &= \text{CGS} \cdot \text{VGS} \end{aligned}$$

Drain-source

$$\begin{aligned} \text{Wdsj} &= \sqrt{2 \cdot \text{Esi} \cdot (\text{Vds} + .6) / (q \cdot \text{NB})} \\ \text{Cds} &= (\text{AREA} - \text{AGD}) \cdot \text{Esi} / \text{Wdsj} \\ \text{Qds} &= q \cdot (\text{AREA} - \text{AGD}) \cdot \text{NB} \cdot \text{Wdsj} \end{aligned}$$

Drain-gate

$$\begin{aligned} \text{Vds} &< \text{Vgs} - \text{VTD} \\ \text{Cdg} &= \text{Cdgj} \cdot \text{COXD} / (\text{Cdgj} + \text{COXD}) \\ \text{Wdgj} &= \sqrt{2 \cdot \text{Esi} \cdot (\text{Vdg} + .6) / (q \cdot \text{NB})} \\ \text{Cdgj} &= \text{AGD} \cdot \text{Esi} / \text{Wdgj} \\ \text{Cx} &= \text{COXD} \cdot \text{Wdgj} / (\text{Esi} \cdot \text{AGD}) \\ \text{Qdg} &= (q \cdot \text{NB} \cdot \text{Esi} \cdot \text{AGD}^2 / \text{COXD}) \cdot \text{Cx} - \log(1 + \text{Cx}) - \text{COXD} \cdot \text{VTD} \end{aligned}$$

Ccer

$$\begin{aligned} \text{Wbcj} &= \sqrt{2 \cdot \text{Esi} \cdot (\text{Vbc} + .6) / (q \cdot \text{NB})} \\ \text{Cbcj} &= \text{AREA} \cdot \text{Esi} / \text{Wbcj} \\ \text{Ccer} &= \text{Qeb} \cdot \text{Cbcj} / (3 \cdot \text{QB}) \end{aligned}$$

Cmult

$$\begin{aligned} \text{Cmult} &= (\text{M}-1) \cdot \text{Ccer} \\ \text{Qmult} &= (\text{M}-1) \cdot \text{Qcer} \end{aligned}$$

Emitter-base

$$\begin{aligned} \text{Ceb} &= d(\text{Qeb})/d(\text{Veb}) \\ \text{Qmult} &= (\text{M}-1) \cdot \text{Qcer} \end{aligned}$$

Independent sources (Voltage Source and Current Source)

SPICE format

Syntax for the voltage source

Vname <plus> <minus> [[DC] *dcvalue*]
+ [AC *magval* [*phaseval*]]
+ [PULSE *v1 v2* [*td* [*tr* [*tf* [*pw* [*per*]]]]]]]
OR [SIN *vo va* [*f0* [*td* [*df* [*ph*]]]]]]]
OR [EXP *v1 v2* [*td1* [*tc1* [*td2* [*tc2*]]]]]]
OR [PWL *t1 v1 t2 v2 ...[tn , vn]*]
OR [SFFM *vo va f0* [*mi* [*fm*]]]
OR [NOISE *interval* [*amplitude* [*start* [*end* [*seed*]]]]]]]
OR [GAUSSIAN *amp tpeak width* [*period*]]

Syntax for the current source

The current source syntax is the same as the voltage source except for the use of I for the first character of the name.

Examples

```
V3 2 0 DC 0 AC 1 0 SIN 0 1 1MEG 100NS 1E6 0 ;voltage-sin
V5 3 0 DC 0 AC 1 0 EXP 0 1 100N 100N 500N 100N ;voltage-exp
I3 4 0 DC 0 AC 1 0 SFFM 0 1 1E6 .5 1E7 ;current-sffm
V1 5 0 DC 1 AC 1 0 NOISE 10N 1 100N 700N 1 ; voltage-noise
```

Schematic format

These are the Voltage Source and Current Source components from **Component / Analog Primitives / Waveform Sources**.

PART attribute

<*name*>

Example

V1

VALUE attribute

<*value*> where *value* is identical to the SPICE format without the name and the plus and minus node numbers.

Examples

```
DC 1 PULSE 0 1MA 12ns 8ns 110ns 240ns 500ns
DC 0 AC 1 0 SFFM 0 2 2E6 .5 1E7
```

Equations

The equations and sample waveforms that follow are for transient analysis only. AC analysis uses AC *magval* (volts) and AC *phaseval* (degrees) to set the amplitude and phase of the small signal stimulus. TSTEP is the print interval. TSTOP is the run time. These values are obtained from the Analysis Limits dialog box. For SPICE files, MC9 obtains these values from the .TRAN statement and copies them to the Analysis Limits dialog box.

EXP type

<u>Name</u>	<u>Description</u>	<u>Units</u>	<u>Default</u>
<i>v1</i>	Initial value	V or A	None
<i>v2</i>	Peak value	V or A	None
<i>td1</i>	Rise delay	S	0
<i>tc1</i>	Rise time constant	S	TSTEP
<i>td2</i>	Fall delay	S	<i>td1</i> +TSTEP
<i>tc2</i>	Fall time constant	S	TSTEP

The waveform value generated by the EXP option is as follows:

<u>Time interval</u>	<u>Value</u>
0 to <i>td1</i>	<i>v1</i>
<i>td1</i> to <i>td2</i>	$v1+(v2-v1)\cdot(1-e^{-(\text{TIME}-td1)/tc1})$
<i>td2</i> to TSTOP	$v1+(v2-v1)\cdot((1-e^{-(\text{TIME}-td1)/tc1})-(1-e^{-(\text{TIME}-td2)/tc2}))$

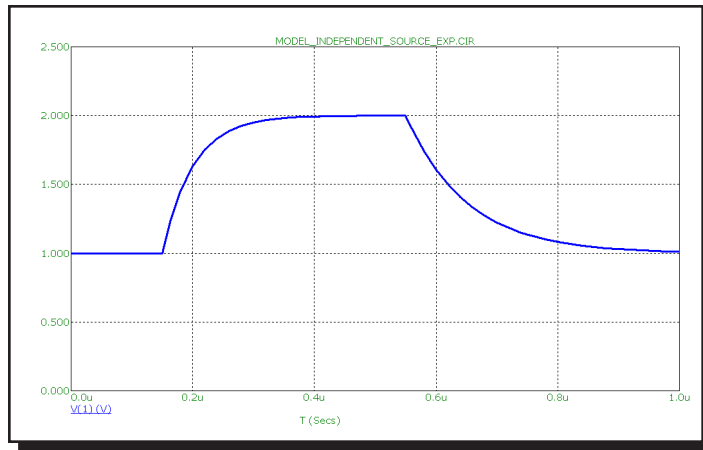


Figure 22-10 Waveform for "EXP 1 2 150n 50n 550n 100n"

PULSE type

<u>Name</u>	<u>Description</u>	<u>Units</u>	<u>Default</u>
<i>v1</i>	Initial value	V or A	None
<i>v2</i>	Pulse value	V or A	None
<i>td</i>	Delay	S	0
<i>tr</i>	Rise time	S	TSTEP
<i>tf</i>	Fall time	S	TSTEP
<i>pw</i>	Pulse width	S	TSTOP
<i>per</i>	Period	S	TSTOP

The waveform value generated by the PULSE option is as follows:

<u>From</u>	<u>To</u>	<u>Value</u>
0	<i>td</i>	<i>v1</i>
<i>td</i>	<i>td+tr</i>	$v1 + ((v2 - v1) / tr) \cdot (T - td)$
<i>td+tr</i>	<i>td+tr+pw</i>	<i>v2</i>
<i>td+tr+pw</i>	<i>td+tr+pw+tf</i>	$v2 + ((v1 - v2) / tf) \cdot (T - td - tr - pw)$
<i>td+tr+pw+tf</i>	<i>per</i>	<i>v1</i>

where From and To are T values, and $T = \text{TIME mod per}$. The waveform repeats every *per* seconds.

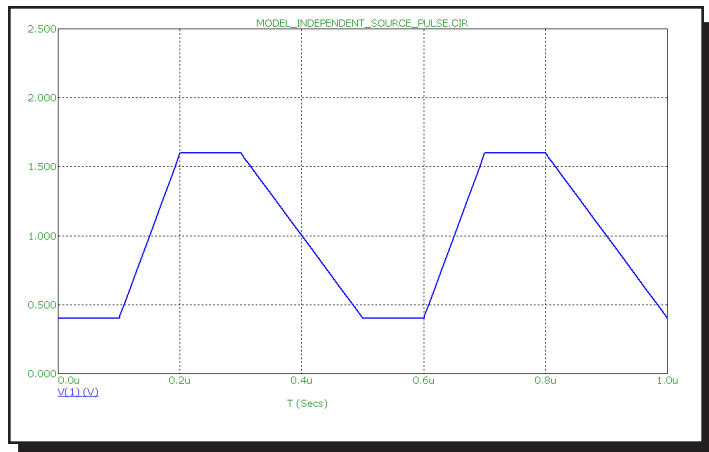


Figure 22-11 Waveform for "PULSE .4 1.6 .1u .1u .2u .1u .5u"

SFFM type

<u>Name</u>	<u>Description</u>	<u>Units</u>	<u>Default</u>
v_o	Offset value	V or A	None
v_a	Peak amplitude	V or A	None
f_0	Carrier frequency	Hz	1/TSTOP
m_i	Modulation index		0
f_m	Modulation freq.	Hz	1/TSTOP

The waveform value generated by the SFFM option is as follows:

$$F = v_o + v_a \cdot \sin(2 \cdot \pi \cdot f_0 \cdot T + m_i \cdot \sin(2 \cdot \pi \cdot f_m \cdot T))$$

where T = Transient analysis time

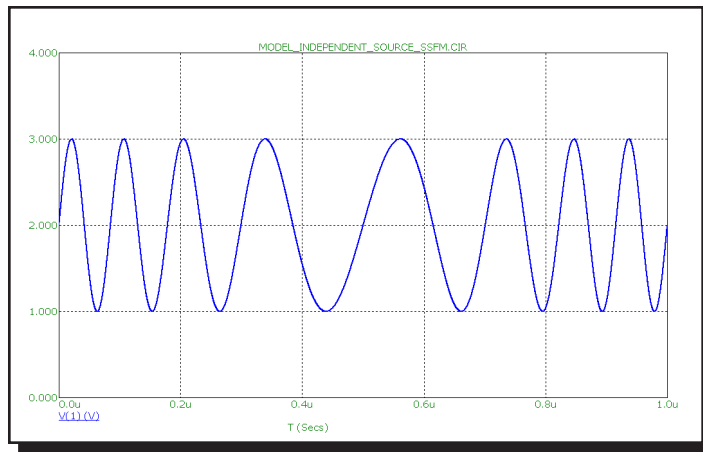


Figure 22-12 Waveform for "SFFM 2 1 8Meg 4 1Meg"

SIN type

<u>Name</u>	<u>Description</u>	<u>Units</u>	<u>Default</u>
<i>vo</i>	Offset value	V or A	None
<i>va</i>	Peak amplitude	V or A	None
<i>f0</i>	Frequency	Hz	1/TSTOP
<i>td</i>	Delay	s	0
<i>df</i>	Damping factor	s ⁻¹	0
<i>ph</i>	Phase	degrees	0

The waveform value generated by the SIN option is as follows:

<u>From</u>	<u>To</u>	<u>Value</u>
0	<i>td</i>	<i>vo</i>
<i>td</i>	TSTOP	$vo + va \cdot \sin(2 \cdot \pi \cdot (f0 \cdot (T - td) + ph/360)) \cdot e^{-(T - td) \cdot df}$ where T = Transient analysis time

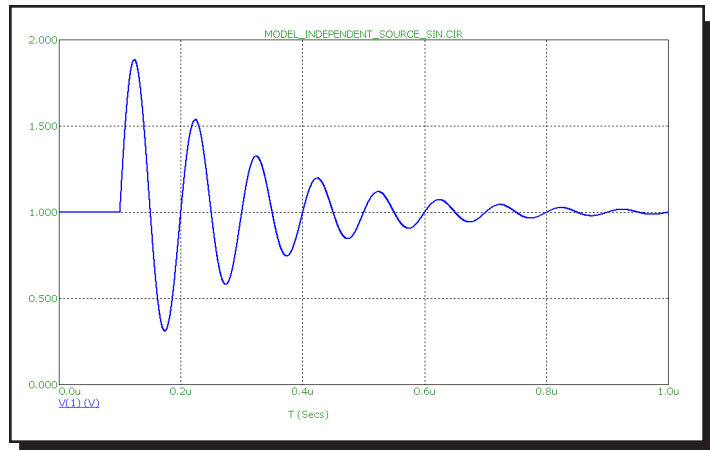


Figure 22-13 Waveform for "SIN 1 1 10Meg 100n 5E6"

PWL type

General Form:

```
PWL
+ [TRIGGER=<{trigger_expression}>]
+ [TIME_SCALE_FACTOR=<ts_value>]
+ [VALUE_SCALE_FACTOR=<vs_value>]
+(data_pairs)
```

where the syntax of *data_pairs* is:

```
<tin>,<in>
```

ts_value, if present, multiplies all *tin* values and *vs_value*, if present, multiplies all *in* values.

Syntax for a single point on the waveform:

```
(<tin>,<in>)
```

Syntax for m points on the waveform:

```
(<tin11>) (<tin22>) ... (<tinm>,<inm>)
```

Syntax to repeat (data_pairs)* n times:

```
REPEAT FOR <n> (data_pairs)*
ENDREPEAT
```

Syntax to repeat (data_pairs)* forever:

```
REPEAT FOREVER (data_pairs)*
ENDREPEAT
```

trigger_expression, if true, enables the waveform or disables it if false.

Each data pair specifies one point on the waveform curve. Intermediate values are linearly interpolated from the table pairs.

There is no specific limit on the number of data pairs in the table. They may be added indefinitely until system memory is exhausted.

Examples:

The VALUE attribute for a 10ns non repeating square wave:

```
PWL (0,0) (5n,0) (5n,5) (10n,5) (10n,0)
```


The VALUE attribute for another 10ns nonrepeating square wave:
PWL TIME_SCALE_FACTOR=1n (0,0) (5,0) (5,5) (10,5) (10,0)

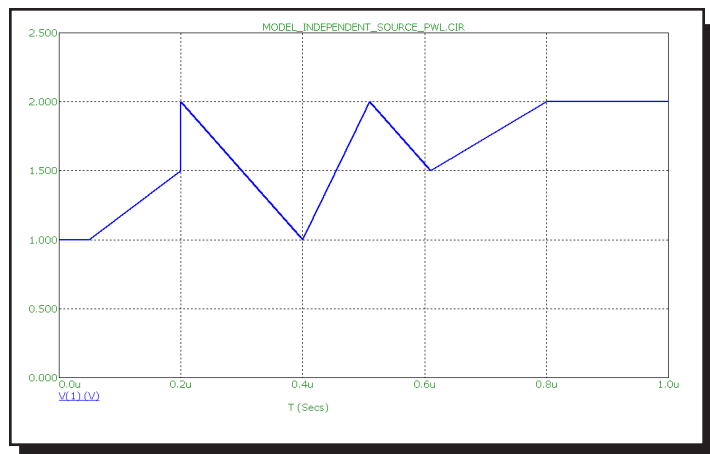
The VALUE attribute for a 10ns nonrepeating square wave, with a high level of 5KV:
PWL VALUE_SCALE_FACTOR=1E3 (0,0) (5n,0) (5n,5) (10n,5) (10n,0)

The VALUE attribute for a 10ns square wave, repeated 20 times:
PWL REPEAT FOR 20 (0,0) (5n,0) (5n,5) (10n,5) (10n,0) ENDREPEAT

The VALUE attribute for a 10ns square wave, repeated forever:
PWL REPEAT FOREVER (0,0) (5n,0) (5n,5) (10n,5) (10n,0) ENDREPEAT

The VALUE attribute for a triggered waveform:
TRIGGER={ (V(A1)>2) AND (V(A2)>2) } 0,0 10n,3 20n,2 30n,1.5 40n,0

Here is an example of a PWL waveform:



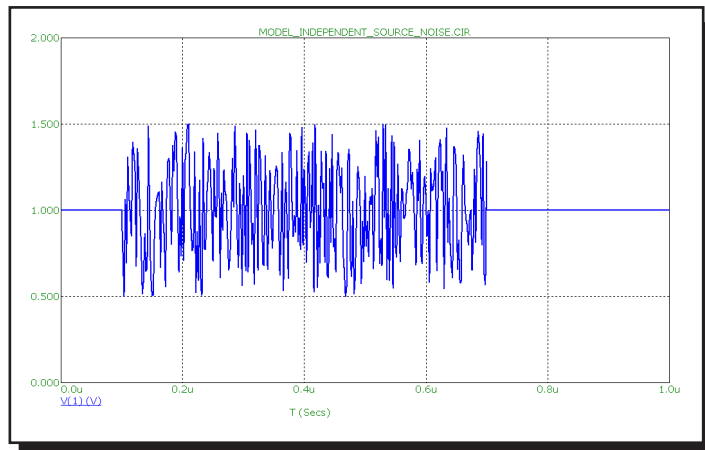
**Figure 22-14 Waveform for
"PWL 0.05u,1 0.20u,1.5 0.20u,2 0.40u,1 0.51u,2 0.61u,1.5 0.80u,2"**

Noise Type

<u>Name</u>	<u>Description</u>	<u>Units</u>	<u>Default</u>
<i>interval</i>	Interval between values	Secs	0
<i>amplitude</i>	Noise Amplitude	V or A	0
<i>start</i>	Start of random interval	Secs	0
<i>end</i>	End of random interval	Secs	0
<i>seed</i>	Random number seed	None	0

The waveform starts at the *dcvalue* and stays there through *start*. *Interval* seconds later a random value between $+ \textit{amplitude}/2$, and $- \textit{amplitude}/2$ is added to the baseline *dcvalue*. *Interval* seconds later another random value is added to the *dcvalue* and the source is updated. This process is repeated every *interval* seconds until *end* where the waveform value returns to the *dcvalue*. Note that the value at $T = \textit{start}$ and $T = \textit{end}$ is *dcvalue*. The first random value occurs at $T = \textit{start} + \textit{interval}$. The last random value occurs at $T = \textit{end} - \textit{interval}$.

If *seed* is ≥ 1 the values are random but are the same on every run. Otherwise the values are both random and different on every run. The seed is initialized at the beginning of every temperature, Monte Carlo, or stepping run.



**Figure 22-15 NOISE Waveform for
"DC 1 AC 1 0 NOISE 2N 1 100N 700N 1"**

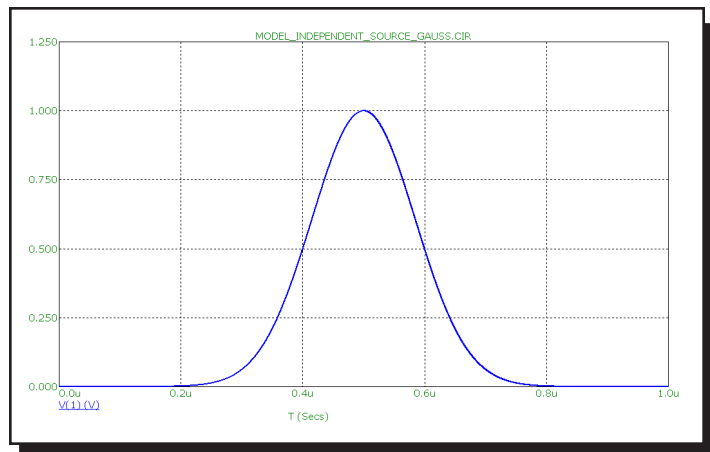
This source type is an extension to the standard SPICE Voltage Source and Current Source.

GaussianType

<u>Name</u>	<u>Description</u>	<u>Units</u>	<u>Default</u>
<i>amp</i>	Amplitude	V or A	None
<i>tpeak</i>	Time to reach A	Secs	None
<i>width</i>	Width at 50%	Secs	None
<i>period</i>	Repetition period	Secs	0

The waveform, within each *period* is a Gaussian pulse calculated as follows, where T is the elapsed time from the start of the simulation.

$$dcvalue + amp * \exp(-\text{pow}(((T \text{ mod } period) - tpeak)/(width/1.6652), 2))$$



**Figure 22-16 GAUSSIAN Waveform for
"DC 0 AC 1 0 GAUSSIAN 1 500N 200N 1U"**

This source type is an extension to the standard SPICE Voltage and current sources.

Inductor

SPICE format

Syntax

L<name> <plus> <minus> [*model name*]
+ [*inductance*] [*IC*=<initial current>]

Examples

L1 2 3 1U
L2 7 8 110P IC=2

<plus> and <minus> are the positive and negative node numbers.
Positive current flows into the plus node and out of the minus node.

Schematic format

PART attribute

<name>

Example

L1

INDUCTANCE attribute

[*inductance*] [*IC*=<initial current>]

Examples

1U
110U IC=3
1U/(1+I(L2)^2)

FLUX attribute

[*flux*]

Example

1u*ATAN(I(L2))

FREQ attribute

[*fexpr*]

Example

1.2mh+5m*(1+log(F))

MODEL attribute

[*model name*]

Examples

LMOD

INDUCTANCE attribute

[*inductance*] may be either a simple number or an expression involving time-varying variables. Consider the following expression:

$$1u/(1+I(L2)^2)$$

I(L2) refers to the value of the L2 current, during a transient analysis, a DC operating point calculation prior to an AC analysis, or during a DC analysis. It does not mean the AC small signal L2 current. If the operating point value for the L2 current was 2 amps, the inductance would be evaluated as $1u/(1+2^2) = 0.2u$. The constant value, 0.2u, is then used in AC analysis.

FLUX attribute

[*flux*], if used, must be an expression involving time-domain variables, including the current through the inductor and possibly other symbolic (.define or .param) variables.

Rules about using FLUX and INDUCTANCE expressions

- 1) Either [*inductance*] or [*flux*] must be supplied.
- 2) If both [*inductance*] and [*flux*] are time-varying expressions, the user must ensure that [*inductance*] is the derivative of [*flux*] with respect to the inductor current.

$$[inductance] = d([flux])/dI$$

- 3) If [*inductance*] is not given and [*flux*] is a time-varying expression, MC9 will create an expression for inductance by taking the derivative, $L = dX/dI$.
- 4) If [*inductance*] is a time-varying expression, and [*flux*] is not given, MC9 will create an equivalent circuit for the inductor consisting of a voltage source of value $L(I)*DDT(I)$.
- 5) If [*flux*] is a time-varying expression, it must involve the current through the inductor. Even for a constant inductor, $X(L) = L*I(L)$.

6) If [*inductance*] or [*flux*] is given as a time-varying expression, the MODEL attribute is ignored and the inductor *cannot* be referenced by a K device (mutual *inductance*). The inductance and flux values are determined solely by the expressions and are unaffected by model parameters.

Time-varying expression means any expression that uses a variable that can vary during a simulation run, such as V(L1) or I(L2).

FREQ attribute

If $\langle fexpr \rangle$ is used, it replaces the value determined during the operating point. $\langle fexpr \rangle$ may be a simple number or an expression involving frequency domain variables. The expression is evaluated during AC analysis as the frequency changes. For example, suppose the $\langle fexpr \rangle$ attribute is this:

$$10\text{mh} + I(L1) * (1 + 1\text{E-}9 * f) / 5\text{m}$$

In this expression, F refers to the AC analysis frequency variable and I(L1) refers to the AC small signal current through inductor L1. Note that there is no time-domain equivalent to $\langle fexpr \rangle$. Even if $\langle fexpr \rangle$ is present, [*inductance*] will be used in transient analysis.

Initial conditions

The initial condition assigns an initial current through the inductor in transient analysis if no operating point is done (or if the UIC flag is set).

Stepping effects

Both the INDUCTANCE attribute and all of the model parameters may be stepped. If the inductance is stepped, it replaces [*inductance*], even if it is an expression. The stepped value may be further modified by the quadratic and temperature effects.

Quadratic effects

If [*model name*] is used, [*inductance*] is multiplied by a factor, QF, which is a quadratic function of the time-domain current, I, through the inductor.

$$QF = 1 + IL1 \cdot I + IL2 \cdot I^2$$

This is intended to provide a subset of the old SPICE 2G POLY keyword, which is no longer supported.

Temperature effects

The temperature factor is computed as follows:

If [*model name*] is used, [*inductance*] is multiplied by a temperature factor, TF.

$$TF = 1 + TC1 \cdot (T - T_{nom}) + TC2 \cdot (T - T_{nom})^2$$

TC1 is the linear temperature coefficient and is sometimes given in data sheets as parts per million per degree C. To convert ppm specs to TC1 divide by 1E6. For example, a spec of 200 ppm/degree C would produce a TC1 value of 2E-4.

T is the device operating temperature and Tnom is the temperature at which the nominal inductance was measured. T is set to the analysis temperature from the Analysis Limits dialog box. TNOM is determined by the Global Settings TNOM value, which can be overridden with a .OPTIONS statement. T and Tnom may be changed for each model by specifying values for T_MEASURED, T_ABS, T_REL_GLOBAL, and T_REL_LOCAL. See the .MODEL section of Chapter 26, "Command Statements", for more information on how device operating temperatures and Tnom temperatures are calculated.

Monte Carlo effects

LOT and DEV Monte Carlo tolerances, available only when [*model name*] is used, are obtained from the model statement. They are expressed as either a percentage or as an absolute value and are available for all of the model parameters except the T_parameters. Both forms are converted to an equivalent *tolerance percentage* and produce their effect by increasing or decreasing the Monte Carlo factor, MF, which ultimately multiplies the final value.

$$MF = 1 \pm \textit{tolerance percentage} / 100$$

If *tolerance percentage* is zero or Monte Carlo is not in use, then the MF factor is set to 1.0 and has no effect on the final value.

The final inductance, *lvalue*, is calculated as follows:

$$lvalue = [inductance] * L * QF * TF * MF$$

Nonlinear inductor cores

Use the coupling (K) device to specify a nonlinear magnetic material for the core using the Jiles-Atherton model.

Model statement form

```
.MODEL <model name> IND ([model parameters])
```

Examples

.MODEL LMOD IND (L=2.0 LOT=10% RS=5m IL1=2E-3 IL2=.0015)

.MODEL L_W IND (L=1.0 LOT=5% DEV=.5% CP=1.8p T_ABS=37)

Model parameters

Name	Parameter	Units	Default
L	Inductance multiplier		1
CP	Parallel capacitance	F	0
RS	Series resistance	Ohms	0
IL1	Linear current coefficient	A ⁻¹	0
IL2	Quadratic current coefficient	A ⁻²	0
TC1	Linear temperature coefficient	°C ⁻¹	0
TC2	Quadratic temperature coefficient	°C ⁻²	0
T_MEASURED	Measured temperature	°C	
T_ABS	Absolute temperature	°C	
T_REL_GLOBAL	Relative to current temperature	°C	
T_REL_LOCAL	Relative to AKO temperature	°C	

The model used for the inductor when the parasitic values of CP and RS are specified is as follows:

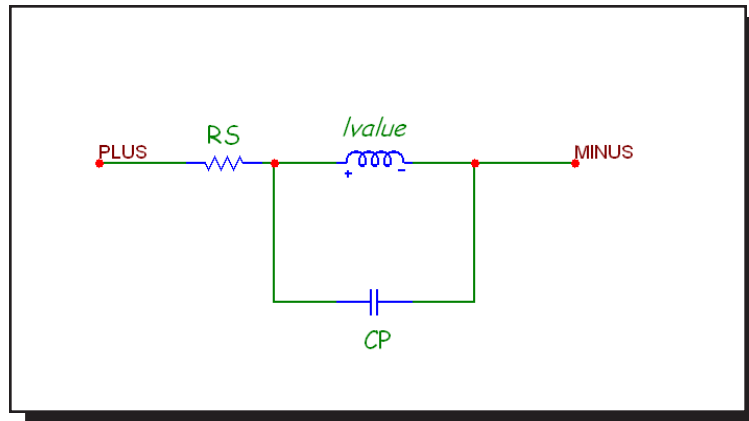


Figure 22-17 Inductor model

Noise effects

The parasitic resistance RS, if specified, generates a thermal noise current in the usual manner, $I_{RS} = (4 \cdot k \cdot T / RS)^{0.5}$

Isource

Schematic format

PART attribute

<*name*>

Examples

I1

CURRENT_SOURCE

VALUE attribute

<*value*>

Examples

1U

10

The Isource produces a constant DC current. It is implemented internally as a SPICE independent current source.

JFET

SPICE format

Syntax

J<name> <drain> <gate> <source> <model name>
+ [area] [OFF] [IC=<vds>[,vgs]]

Example

J1 5 7 9 2N3531 1 OFF IC=1.0,2.5

Schematic format

PART attribute

<name>

Example

J1

VALUE attribute

[area] [OFF] [IC=<vds>[,vgs]]

Example

1.5 OFF IC=0.05,1.00

MODEL attribute

<model name>

Example

JFET_MOD

The value of [area], whose default value is 1, multiplies or divides parameters as shown in the table. The [OFF] keyword turns the JFET off for the first operating point iteration. The initial condition, [IC= <vds>[,vgs]], assigns initial drain-source and gate-source voltages. Negative VTO implies a depletion mode device and positive VTO implies an enhancement mode device. This conforms to the SPICE 2G.6 model. Additional information on the model can be found in reference (2).

Model statement forms

.MODEL <model name> NJF ([model parameters])

.MODEL <model name> PJF ([model parameters])

Examples

.MODEL J1 NJF (VTO=-2 BETA=1E-4 LAMBDA=1E-3)

.MODEL J2 PJF (VTO= 2 BETA=.005 LAMBDA=.015)

Model Parameters

Name	Parameter	Units	Def. Area
VTO	Threshold voltage	V	-2.00
BETA	Transconductance parameter	A/V ²	1E-4 *
LAMBDA	Channel-length modulation	V ⁻¹	0.00
RD	Drain ohmic resistance	Ω	0.00 /
RS	Source ohmic resistance	Ω	0.00 /
CGS	Zero-bias gate-source junction cap.	F	0.00 *
CGD	Zero-bias gate-drain junction cap.	F	0.00 *
M	Gate junction grading coefficient		0.50
PB	Gate junction potential	V	1.00
IS	Gate junction saturation current	A	1E-14 *
FC	Forward-bias depletion coefficient		0.50
VTOTC	VTO temperature coefficient	V/°C	0.00
BETATCE	BETA exp. temperature coefficient	%/°C	0.00
XTI	IS temperature coefficient		3.00
KF	Flicker-noise coefficient		0.00
AF	Flicker-noise exponent		1.00
T_MEASURED	Measured temperature	°C	
T_ABS	Absolute temperature	°C	
T_REL_GLOBAL	Relative to current temperature	°C	
T_REL_LOCAL	Relative to AKO temperature	°C	

Model equations

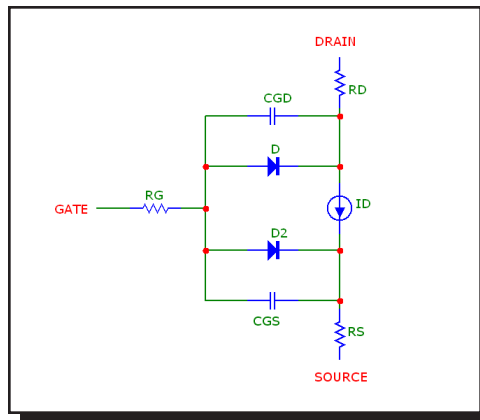


Figure 22-18 JFET model

Notes and Definitions

Parameters BETA, CGS, CGD, and IS are multiplied by $[area]$ and parameters RD and RS are divided by $[area]$ prior to their use in the equations below.

V_{gs} = Internal gate to source voltage

V_{ds} = Internal drain to source voltage

I_d = Drain current

Temperature Dependence

T is the device operating temperature and Tnom is the temperature at which the model parameters are measured. Both are expressed in degrees Kelvin. T is set to the analysis temperature from the Analysis Limits dialog box. TNOM is determined by the Global Settings TNOM value, which can be overridden with a .OPTIONS statement. Both T and Tnom may be customized for each model by specifying the parameters T_MEASURED, T_ABS, T_REL_GLOBAL, and T_REL_LOCAL. See the .MODEL section of Chapter 26, "Command Statements", for more information on how device operating temperatures and Tnom temperatures are calculated.

$$VTO(T) = VTO + VTOTC \cdot (T - Tnom)$$

$$BETA(T) = BETA \cdot 1.01^{BETACE \cdot (T - Tnom)}$$

$$IS(T) = IS \cdot e^{1.11 \cdot (T/Tnom - 1)/VT} \cdot (T/Tnom)^{XTI}$$

$$EG(T) = 1.16 - .000702 \cdot T^2 / (T + 1108)$$

$$PB(T) = PB \cdot (T/Tnom) - 3 \cdot VT \cdot \ln((T/Tnom)) - EG(Tnom) \cdot (T/Tnom) + EG(T)$$

$$CGS(T) = CGS \cdot (1 + M \cdot (.0004 \cdot (T - Tnom) + (1 - PB(T)/PB)))$$

$$CDS(T) = CDS \cdot (1 + M \cdot (.0004 \cdot (T - Tnom) + (1 - PB(T)/PB)))$$

Current equations

Cutoff Region : $V_{gs} \leq VTO(T)$

$$I_d = 0$$

Saturation Region : $V_{ds} > V_{gs} - VTO(T)$

$$I_d = BETA(T) \cdot (V_{gs} - VTO(T))^2 \cdot (1 + LAMBDA \cdot V_{ds})$$

Linear Region : $V_{ds} < V_{gs} - VTO(T)$

$$I_d = BETA(T) \cdot V_{ds} \cdot (2 \cdot (V_{gs} - VTO(T)) - V_{ds}) \cdot (1 + LAMBDA \cdot V_{ds})$$

Capacitance equations

If $V_{gs} \leq FC \cdot PB(T)$ then

$$C_{gs} = CGS(T)/(1 - V_{gs}/PB(T))^M$$

Else

$$C_{gs} = CGS(T) \cdot (1 - FC \cdot (1+M) + M \cdot (V_{gs}/PB(T))) / (1 - FC)^{(1-M)}$$

If $V_{gd} \leq FC \cdot PB(T)$ then

$$C_{gd} = CGD(T)/(1 - V_{gd}/PB(T))^M$$

Else

$$C_{gd} = CGD(T) \cdot (1 - FC \cdot (1+M) + M \cdot (V_{gd}/PB(T))) / (1 - FC)^{(1-M)}$$

Noise

The resistors R_S and R_D generate thermal noise currents.

$$I_{rd}^2 = 4 \cdot k \cdot T / R_D$$

$$I_{rs}^2 = 4 \cdot k \cdot T / R_S$$

The drain current generates a noise current.

$$I^2 = 4 \cdot k \cdot T \cdot gm \cdot 2/3 + KF \cdot Id^{AF} / \text{Frequency}$$

where $gm = \partial Id / \partial V_{gs}$ (at operating point)

K (Mutual inductance / Nonlinear magnetics model)

SPICE formats

K<name> L<inductor name> <L<inductor name>>*
+ <coupling value>

K<name> L<inductor name>* <coupling value>
+ <model name>

Examples

K1 L1 L2 .98

K1 L1 L2 L3 L4 L5 L6 .98

Schematic format

PART attribute

<name>

Example

K1

INDUCTORS attribute

<inductor name> <inductor name>*

Example

L10 L20 L30

COUPLING attribute

<coupling value>

Example

0.95

MODEL attribute

[model name]

Example

K_3C8

If <model name> is used, there can be a single inductor name in the INDUCTORS attribute. If model name is not used, there must be at least two inductor names in the INDUCTORS attribute.

The K device specifies a mutual inductance between two or more linear inductors. You can specify a nonlinear magnetic core by using a MODEL attribute.

A resistive impedance of 1/GMIN is added between the positive pins of the coupled inductors to avoid DC convergence problems.

Coupled linear inductors

In this mode, the K device provides a means to specify the magnetic coupling between multiple inductors. The equations that define the coupling are:

$$V_i = L_i I_i' + M_{ij} I_j' + M_{ik} I_k' + \dots$$

where I_i is the current flowing into the plus lead of the i'th inductor and I_i' is its time derivative. For linear inductors, *<model name>* is not used.

Nonlinear magnetic core(s)

If a *<model name>* is supplied, the following things change:

1. The linear K device becomes a nonlinear magnetic core. The model for the core is a variation of the Jiles-Atherton model.
2. Inductors are interpreted as windings and each inductor *<value>* is interpreted as the number of turns for the winding. In this case, *<value>* must be a constant whole number. It may not be an expression.
3. The list of coupled inductors may contain just one inductor. Use this method to create a single magnetic core device, not coupled to another inductor.
4. A model statement is required to define the model parameters or *<model name>* must be in the model library referenced by .LIB statements.

The nonlinear magnetics model is based on the Jiles-Atherton model. This model is based upon contemporary theories of domain wall bending and translation. The anhysteretic magnetization curve is described using a mean field approach. All magnetic domains are coupled to the bulk magnetization and magnetic fields. The anhysteretic curve is regarded as the magnetization curve that would prevail if there were no domain wall pinning. Of course, such pinning does occur, mainly at defect sites. The hysteresis effect that results from this pinning is modeled as a simple frictional force, characterized by a single constant, K. The resulting state equation produces a realistic ferromagnetic model.

The Core is modeled as a state-variable nonlinear inductor. MC9 solves a differential equation for the B and H fields and derives the terminal current and voltage from these values. The B field and H field values are available as output variables in transient analysis.

Plotting B and H fields

B(L1) Plots the B field of inductor L1 in CGS units of Gauss.

H(L1) Plots the H field of inductor L1 in CGS units of Oersteds.

BSI(L1) Plots the B field of inductor L1 in SI units of Teslas.

HSI(L1) Plots the H field of inductor L1 in SI units of Amps/Meter.

To place a single core in a circuit, use this procedure:

1. Place an inductor in the circuit with these attributes:

```
PART          L1
INDUCTANCE 1
```

The value 1 represents the number of turns.

2. Place a K device in the circuit with these attributes:

```
PART          K1
INDUCTORS    L1
COUPLING     1.0
MODEL        KCORE
```

Step 2 changes the inductor L1 from a standard linear model to a nonlinear core whose properties are controlled by the model statement. See the circuit file CORE for an example of a single core device and how to do BH loop plots.

To place two magnetically coupled cores in a circuit, use this procedure:

1. Place the first inductor in the circuit with these attributes:

```
PART          L1
INDUCTANCE    Number of primary turns
```

2. Place the second inductor in the circuit with these attributes:

```
PART          L2
INDUCTANCE    Number of secondary turns
```

3. Place a K device in the circuit with these attributes:

```
PART          K2
```


INDUCTORS L1 L2
 COUPLING Coupling coefficient between L1 and L2 (0-1.0)
 MODEL KCORE

This procedure creates two coupled cores whose magnetic properties are controlled by the KCORE model statement. See the sample circuit file CORE3 for an example of multiple, coupled core devices.

Model statement form

.MODEL <model name> CORE ([model parameters])

Examples

.MODEL K1 CORE (Area=2.54 Path=.54 MS=2E5)

.MODEL K2 CORE (MS=2E5 LOT=25% GAP=.001)

Model parameters

Name	Parameter	Units	Default
Area	Mean magnetic cross-section	cm ²	1.00
Path	Mean magnetic path length	cm	1.00
Gap	Effective air gap length	cm	0.00
MS	Saturation magnetization	a/m	4E5
A	Shape parameter	a/m	25
C	Domain wall flexing constant		.001
K	Domain wall bending constant		25

Note that the model parameters are a mix of MKS or SI units (a/m) and CGS units (cm and cm²).

Model Equations

Definitions and Equations

All calculations are done in MKS (SI) units

μ_0 = magnetic permeability of free space = $4 \cdot \pi \cdot 10^{-7}$ Webers/Amp-meter

N = number of turns

Ma = Anhysteretic magnetization

H = Magnetic field intensity inside core

B = Magnetic flux density inside core

M = Magnetization due to domain alignment

I = Core current

V = Core voltage

$Ma = MS \cdot H / (|H| + A)$

Sign = K if $dH/dt > 0.0$

Sign = - K if $dH/dt \leq 0.0$

$$dM/dH = (M_a - M) / ((\text{Sign}) \cdot (1 + C)) + (C / (1 + C)) \cdot dM_a / dH$$

$$B = \mu_0 \cdot (H + M)$$

$$L = \mu_0 \cdot (1 + dM/dH) \cdot N^2 \cdot \text{AREA} / \text{PATH}$$

$$V = L \cdot dI/dt$$

To derive model parameters from data sheet values, use the MODEL program. Doing it *manually* requires this procedure:

1. Many data sheets provide the value of B_{sat} in Gauss. To calculate the required value of M_S in units of Amps/meter, multiply the B_{sat} value in Gauss by 79.577. This yields the required model value for M_S in Amps/meter.

2. Run the sample circuit CORE.CIR and adjust the values of A, K, and C, to fit the data sheet BH curve. The effect of increasing each parameter is as follows:

<u>Parameter</u>	<u>μ</u>	<u>HC</u>	<u>BR</u>
A	-	+	+
K		+	+
C	+	-	-

where μ is the slope or permeability, HC is the coercive force value, and BR is the remanence.

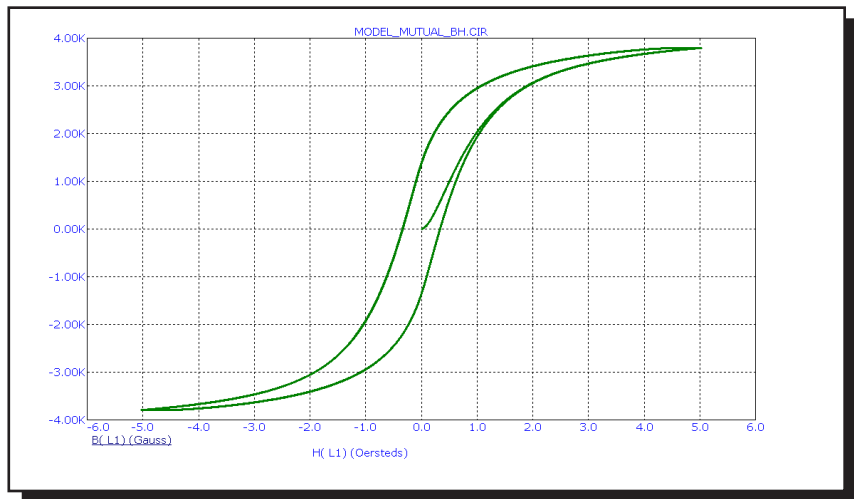


Figure 22-19 Typical BH loop

Laplace sources

Schematic format

PART attribute

<name>

Examples

FIL1

LOW1

LAPLACE attribute of LFIOFI, LFIOFV, LFVOFV, LFVOFI

<expression>

Example

$1/(1+.001*S+1E-8*S*S)$

FREQ attribute of LTIOFI, LTIOFV, LTVOFV, LTVOFI

<(f1,m1,p1) (f2,m2,p2)...(fn,mn,pn)>

Example

(0.0,1.0,0.0) (1Meg,0.9,-10) (10Meg,0.2,-35)

KEYWORD attribute (for use with FREQ attribute)

[[DB | MAG] [DEG | RAD]] | [R_I]

Examples

DB RAD

MAG DEG

R_I

There is no SPICE version of this source. Use the Dependent source, E or G device.

The keywords DB, MAG, DEG, RAD, R_I are interpreted as follows:

DB: Magnitude value is expressed in decibels. (default)

MAG: Magnitude value is true magnitude.

DEG: Degrees value is expressed in degrees. (default)

RAD: Degrees value is expressed in radians.

R_I: The table contains real and imaginary parts.

Laplace sources are characterized by a linear transfer function. The two basic types are distinguished by the way the transfer function is calculated. The Formula type uses an algebraic expression to describe the transfer function in terms of the complex frequency variable, S . The Table type uses a table of ordered data triplets which describe the transfer function. Each data triplet comprises the frequency, magnitude, and phase of the transfer function.

In AC analysis, the value of the transfer function is computed from the algebraic expression involving S , where $S = 2\pi \cdot \text{frequency} \cdot j$, or obtained by interpolation from the given table.

For DC analysis, the value of the transfer function is computed from the given algebraic expression involving S , where $S = 0$, or obtained from the table, using the lowest frequency data point supplied.

For transient analysis, it is necessary to first determine the impulse response of the function. The impulse response is obtained by performing an inverse Fourier transform on the transfer function. Then, during the transient run, the output of the source is obtained from the convolution of the waveform at the source input nodes and the impulse response waveform. This allows the source to accurately respond to any input waveform, not just simple, predefined waveforms.

The accuracy of this procedure is limited by the number of time points in the impulse response, or alternatively, by the bandwidth of the function. As a practical matter, no more than 8192 time points should be computed for the impulse response, due to memory and time limitations. The actual number of time points, N , is a logarithmic function of the value of RELTOL.

$$N = 2^{6 - \log_{10}(\text{RELTOL})}$$

For example, for $\text{RELTOL} = .001$, 512 time points are computed.

As a general rule, Laplace sources will give the best transient analysis results on narrow band functions. Wide band functions, such as the differentiator, $f(s)=s$, and the integrator, $f(s)=1/s$, are best modeled by using discrete components. See the sample circuits INT (integrator macro) and DIF(differentiator macro).

Formula types

The input and output variables and definition names for the Laplace formula sources are as follows:

<u>Source type</u>	<u>Input</u>	<u>Output</u>	<u>Definition</u>
Current-controlled current source	I	I	LFIOFI
Current-controlled voltage source	I	V	LFVOFI
Voltage-controlled voltage source	V	V	LFVOFV
Voltage-controlled current source	V	I	LFIOFV

Here are some examples:

$$1/(1+.001*S)$$

a simple low pass filter.

$$1/(1+.001*s+1E-8*S*S)$$

a second order filter.

$$\exp(-\text{pow}((C*S*(R+S*L)),.5))$$

equation of a simple lossy, transmission line. R, L, and C are .define constants.

For illustration, see the circuits L1, L2, and L3.

Table types

In a Table type, the transfer function is defined with a table. The table contains ordered triplets of numbers listing the frequency, magnitude or real value, and phase or imaginary value of the transfer function. The general form of the table entries is:

$$(F1,X1,Y1) (F2,X2,Y2) \dots (FN,XN,YN)$$

F_i is the i 'th frequency value in hertz.

X_i is the i 'th magnitude value or the real value.

Y_i is the i 'th phase value or the imaginary value.

There are six rules for forming the table:

1. Values are separated by commas, triplets are enclosed in parentheses and are separated by spaces.
2. Data triplets must be arranged in order of ascending frequency.
3. The function is constant at $X1,Y1$ for inputs below $F1$.
4. The function is constant at XN,YN for inputs above FN .

5. The function is logarithmically interpolated for frequency values between the table values.

6. The table should contain one data point at DC or zero frequency.

The table may be entered directly as the parameter string or indirectly using the .define statement. For illustration, see the circuit P1.

The input variable and output variables and definition names are as follows:

<u>Source type</u>	<u>Input</u>	<u>Output</u>	<u>Definition</u>
Current-controlled current source	I	I	LTIOFI
Current-controlled voltage source	I	V	LTVOFI
Voltage-controlled voltage source	V	V	LTVOFV
Voltage-controlled current source	V	I	LTIOFV

Macro

Schematic format

PART attribute

<name>

Example

2N5168

FILE attribute

<macro circuit name>

Example

SCR

Macros are the schematic equivalents of subcircuits. They are circuit building blocks that have been created and saved to disk for use in other circuits.

To create a macro:

1. Create a circuit. Place grid text on the nodes that you want to make available as macro pins. If you want to pass numeric parameters to the macro, use symbolic variables for attributes and/or model parameter values and declare these names in a .parameters statement. Save the circuit to the LIBRARY folder using the desired macro name with an extension of .MAC.
2. Enter a component in the Component library as follows:
 - Enter the macro file name for the Name field.
 - Choose a suitable shape.
 - Choose Macro for the Definition field.
 - Place pins on the shape by clicking in the Shape drawing area. Name the pins with the same text names you placed on the nodes in the macro circuit.
 - Add optional .MACRO statements to one of the *.LIB files to substitute long parameter lists for shorter names.

Alternatively, create the circuit as in Step 1, then use the make Macro command at **Edit / Box / Make Macro**. It automates Step 2.

To use a macro:

Select the macro from the Component library. Place it in the circuit that will use it and edit its parameters, if it has any. You can also use an alias which, using a `.macro` statement, substitutes a short name like 2N5168 for the macro FILE name and a corresponding set of parameters.

The format of the macro command is:

```
.MACRO <alias> <macro circuit name(parameter list)>
```

This statement lets you store the parameters that turn a general macro for, say an SCR, into a specific model for a specific part like the 2N5168 SCR, and to access the part with a simple meaningful name, like 2N5168. For more information on the `.MACRO` statement see Chapter 26, "Command Statements".

When a macro is placed in a circuit, the program reads the macro circuit file, determines if it has parameters from the `.PARAMETERS` statement in the macro circuit file and shows these parameters and their default values in the Attribute dialog box. Edit the parameter values from their default values to those you want.

MOSFET

SPICE format

Syntax

M<name> <drain> <gate> <source> <bulk> <model name>
+ [M=<mval>]
+ [L=<length>] [W=<width>] [AD=<drainarea>] [AS=<sourcearea>]
+ [PD=<drainperiphery>] [PS=<sourceperiphery>]
+ [NRD=<drainsquares>] [NRS=<sourcesquares>]
+ [NRG=<gatesquares>] [NRB=<bulksquares>]
+ [OFF][IC=<vds>[,vgs[,vbs]]]

Example

M1 5 7 9 0 IRF350 L=1.5E-6 W=0.25 OFF IC=25.0,8.0

Schematic format

PART attribute

<name>

Example

M1

VALUE attribute

[M=<mval>
+ [L=<length>] [W=<width>] [AD=<drainarea>] [AS=<sourcearea>]
+ [PD=<drainperiphery>] [PS=<sourceperiphery>]
+ [NRD=<drainsquares>] [NRS=<sourcesquares>]
+ [NRG=<gatesquares>] [NRB=<bulksquares>]
+ [OFF][IC=<vds>[,vgs[,vbs]]]

Examples

M=20 NRD=10 NRS=25 NRG=5

L=.35u IC=.1, 2.00

L=.4u W=2u OFF IC=0.05,1.00

MODEL attribute

<model name>

Examples

IRF350

MM150

Supported Models

Level	Model Name
1	Schichman-Hodges
2	MOS2 Grove-Frohman model (SPICE 3F5)
3	MOS3 empirical model (SPICE 3F5)
4	BSIM1 Original BSIM model (Berkeley Short Channel IGFET)
5	BSIM2 Second generation BSIM model
8 or 49	BSIM3 Third generation BSIM3v3.3 (7/29/2005)
14	BSIM4 Fourth generation BSIM4.5.0 (7/29/2005)
44	EKV 2.6 Charge based-short channel model developed by the Swiss Institute of Technology. See the MOSFET(EKV) section following this MOSFET section
Various	Philips MOSFET models. See the Philips MOSFET section following the EKV section.

$\langle width \rangle$ and $\langle length \rangle$ are the drawn device dimensions, before side diffusion, in meters. They can be specified as device attributes, model parameters, or by using the global default values, DEFW and DEFL. For Levels 1-3, and BSIM 1-3, DEFNRD and DEFNRS define default drain and source squares, and DEFDPD and DEFPS default drain and source periphery. Device attributes supersede model parameters, which supersede the global values from the Global Settings dialog box or a local .OPTIONS statement.

The initialization [IC=<vds>[,vgs[,vbs]]] assigns initial voltages to the drain-source, gate-source, and body-source terms in transient analysis if no operating point is done (or if the UIC flag is set). The [OFF] keyword forces the device off during the first iteration of the DC operating point.

$\langle sourceperiphery \rangle$ and $\langle drainperiphery \rangle$ are the diffusion peripheries (m). $\langle sourcearea \rangle$ and $\langle drainarea \rangle$ are the diffusion areas (sq. m). Source and drain junction capacitances may be specified directly by the model parameters CBS and CBD. If absent, they are calculated from area and periphery terms.

The parasitic resistances may be specified directly with the model parameters RS, RD, RG, and RB. If unspecified, they are calculated from the product of the sheet resistivity, RSH, and the number of squares terms, $\langle drainsquares \rangle$, $\langle sourcesquares \rangle$, $\langle gatesquares \rangle$, and $\langle bulksquares \rangle$. If these terms are absent, or zero, and the model parameters RS, RD, RG, and RB are absent or zero, then the parasitic resistances are not included in the model. $\langle drainsquares \rangle$ and $\langle sourcesquares \rangle$ default to 1.0. The other parameter line values default to zero.

<mvnl> is a multiplier (default = 1) that provides a way to simulate the effect of paralleling many devices. It multiplies the effective width, overlap, and junction capacitances, and the junction currents. It multiplies the drain and source areas, the device width, and the two peripheries, and divides the four resistances RS, RD, RG, and RB.

Model statement forms

```
.MODEL <model name> NMOS ([model parameters])
.MODEL <model name> PMOS ([model parameters])
```

Examples

```
.MODEL M1 NMOS (W=0.2 L=0.8U KP=1E-6 GAMMA=.65)
.MODEL M2 PMOS (W=0.1 L=0.9U KP=1.2E-6 LAMBDA=1E-3)
```

Common model parameters

These model parameters are common to levels 1, 2, 3, 4, 5, and 8: Levels 1-5 share common default values. Level 8 defaults are shown in the last column.

Name	Parameter	Units	Default Values For	
			Lev 1-5	Lev 8
LEVEL	Model level		1-5	8
L	Channel length	m	DEFL	DEFL
W	Channel width	m	DEFW	DEFW
RDS	Drain-source shunt resistance	Ω	∞	∞
RD	Drain ohmic resistance	Ω	0.00	0.00
RS	Source ohmic resistance	Ω	0.00	0.00
RG	Gate ohmic resistance	Ω	0.00	0.00
RB	Bulk ohmic resistance	Ω	0.00	0.00
RSH	Source and drain sheet res.	Ω/sq	0.00	0.00
CGDO	Gate-drain overlap cap.	F/m	0.00	0.00
CGSO	Gate-source overlap cap.	F/m	0.00	0.00
CGBO	Gate-bulk overlap cap.	F/m	0.00	0.00
CBD	Bulk p-n zero-bias B-D cap.	F	0.00	0.00
CBS	Bulk p-n zero-bias B-S cap.	F	0.00	0.00
CJ	Bulk p-n zero-bias bot. cap.	F/m ²	0.00	5E-4
CJSW	Bulk p-n zero-bias s/w cap.	F/m	0.00	5E-10
MJ	Bulk p-n zero-bias bottom grad.		0.50	0.50
MJSW	Bulk p-n zero-bias s/w coeff.		0.33	0.33
TT	Bulk p-n transit time	S	0.00	0.00
IS	Bulk p-n saturation current	A	1E-14	1E-14
N	Bulk p-n emission coefficient		1.00	1.00
JS	Bulk p-n bot. current density	A/m ²	0.00	1E-4

Name	Parameter	Units	Default Values For	
			Lev 1-5	Lev 8
JSW or JSSW	Bulk p-n bot. current density	A/m	0.00	0.0
PB	Bulk p-n bottom potential	V	0.80	1.00
PBSW	Bulk p-n sidewall potential	V	PB	1.00
KF	Flicker-noise coefficient		0.00	0.00
AF	Flicker-noise exponent		1.00	1.00
FC	Forward-bias depletion coeff.		0.50	0.50
GDSNOI	Channel shot noise coefficient		1.0	1.0
NLEV	Noise equation selector		2.0	None
T_MEASURED	Measured temperature	°C		
T_ABS	Absolute temperature	°C		
T_REL_GLOBAL	Relative to current temp.	°C		
T_REL_LOCAL	Relative to AKO temperature	°C		

In addition to the 33 common parameters, the following table lists the additional parameters used in the level 1, 2, and 3 models.

Name	Parameter	Units	Default Level	
LD	Lateral diffusion length	m	0.00	1,2,3
WD	Lateral diffusion width	m	0.00	1,2,3
KP	Process transconductance	A/V ²	2E-5	1,2,3
VTO	Zero-bias threshold voltage	V	0.00	1,2,3
GAMMA	Body-effect coefficient	V ^{0.5}	0.00	1,2,3
PHI	Surface inversion potential	V	0.60	1,2,3
LAMBDA	Channel-length modulation	V ⁻¹	0.00	1,2
TOX	Gate oxide thickness	m	1E-7	1,2,3
UO	Surface mobility	cm ² /V/s	600	2,3
NEFF	Total channel charge coeff.		1.0	2
NSUB	Substrate doping density	cm ⁻³	None	2,3
NSS	Surface state density	cm ⁻²	None	2,3
NFS	Fast surface-state density	cm ⁻²	None	2,3
XJ	Metallurgical junction depth	m	0.00	2,3
VMAX	Max drift velocity of carriers	m/s	0.00	2,3
DELTA	Width effect on VTO		0.00	2,3
THETA	Mobility modulation	V ⁻¹	0.00	3
ETA	Static feedback on VTO		0.00	3
KAPPA	Saturation field factor		0.20	3
TPG	Type of gate material		1.00	2,3
UCRIT	Mobility degrad. critical field	V/cm	1E4	2
UEXP	Mobility degradation exponent		0.00	2
UTRA	Mobility degrad. tr. field coeff.	m/s	0.00	2

Model equations for levels 1, 2, and 3

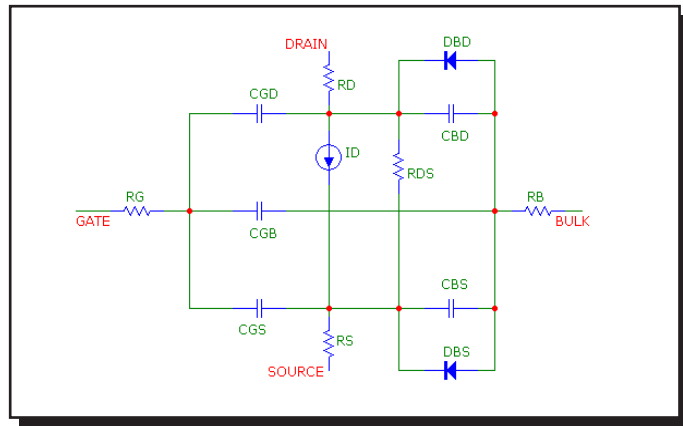


Figure 22-20 Levels 1, 2, 3 MOSFET model

Definitions

V_{gs} = Internal gate to source voltage
 V_{ds} = Internal drain to source voltage
 I_d = Drain current
 $V_T = k \cdot T / q$

Temperature effects

T is the device operating temperature and Tnom is the temperature at which the model parameters are measured. Both are expressed in degrees Kelvin. T is set to the analysis temperature from the Analysis Limits dialog box. TNOM is determined by the Global Settings TNOM value, which can be overridden with a .OPTIONS statement. T and Tnom may be customized for each model by specifying the parameters T_MEASURED, T_ABS, T_REL_GLOBAL, and T_REL_LOCAL. For details on how device temperatures and Tnom temperatures are calculated, see the .MODEL section of chapter 26 "Command Statements".

$$EG(T) = 1.16 - .000702 \cdot T \cdot T / (T + 1108)$$

$$IS(T) = IS \cdot e^{(EG(T_{nom}) \cdot T / T_{nom} - EG(T)) / V_T}$$

$$JS(T) = JS \cdot e^{(EG(T_{nom}) \cdot T / T_{nom} - EG(T)) / V_T}$$

$$JSSW(T) = JSSW \cdot e^{(EG(T_{nom}) \cdot T / T_{nom} - EG(T)) / V_T}$$

$$KP(T) = KP \cdot (T / T_{nom})^{-1.5}$$

$$UO(T) = UO \cdot (T / T_{nom})^{-1.5}$$

$$PB(T) = PB \cdot (T / T_{nom}) - 3 \cdot V_T \cdot \ln((T / T_{nom})) - EG(T_{nom}) \cdot (T / T_{nom}) + EG(T)$$

$$PBSW(T) = PBSW \cdot (T / T_{nom}) - 3 \cdot V_T \cdot \ln((T / T_{nom})) - EG(T_{nom}) \cdot (T / T_{nom}) + EG(T)$$

$$PHI(T) = PHI \cdot (T / T_{nom}) - 3 \cdot V_T \cdot \ln((T / T_{nom})) - EG(T_{nom}) \cdot (T / T_{nom}) + EG(T)$$

$$\begin{aligned} \text{CBD}(T) &= \text{CBD} \cdot (1 + \text{MJ} \cdot (.0004 \cdot (T - T_{\text{nom}}) + (1 - \text{PB}(T)/\text{PB}))) \\ \text{CBS}(T) &= \text{CBS} \cdot (1 + \text{MJ} \cdot (.0004 \cdot (T - T_{\text{nom}}) + (1 - \text{PB}(T)/\text{PB}))) \\ \text{CJ}(T) &= \text{CJ} \cdot (1 + \text{MJ} \cdot (.0004 \cdot (T - T_{\text{nom}}) + (1 - \text{PB}(T)/\text{PB}))) \\ \text{CJSW}(T) &= \text{CJSW} \cdot (1 + \text{MJ} \cdot (.0004 \cdot (T - T_{\text{nom}}) + (1 - \text{PB}(T)/\text{PB}))) \end{aligned}$$

The parasitic lead resistances have no temperature dependence.

Current equations

Only the Level 1 N-channel drain equations are shown here. The Level 2 and Level 3 current equations are too complex for presentation in this manual. Interested users should consult reference (22) for more information.

$$\begin{aligned} K &= K_P \cdot W / (L - 2 \cdot LD) \\ V_{\text{TH}} &= V_{\text{TO}} + \text{GAMMA} \cdot ((\text{PHI} - V_{\text{BS}})^{1/2} - \sqrt{\text{PHI}}) \end{aligned}$$

Cutoff region: For $V_{\text{gs}} < V_{\text{TH}}$

$$I_{\text{d}} = 0.0$$

Linear region: For $V_{\text{gs}} > V_{\text{TH}}$ and $V_{\text{ds}} < (V_{\text{gs}} - V_{\text{TH}})$

$$I_{\text{d}} = K \cdot (V_{\text{gs}} - V_{\text{TH}} - 0.5 \cdot V_{\text{ds}}) \cdot V_{\text{ds}} \cdot (1 + \text{LAMBDA} \cdot V_{\text{ds}})$$

Saturation region: For $V_{\text{gs}} > V_{\text{TH}}$ and $V_{\text{ds}} > (V_{\text{gs}} - V_{\text{TH}})$

$$I_{\text{d}} = 0.5 \cdot K \cdot (V_{\text{gs}} - V_{\text{TH}})^2 \cdot (1 + \text{LAMBDA} \cdot V_{\text{ds}})$$

Capacitance equations

Meyer model for gate capacitance

Levels 1-3 use the capacitance model proposed by Meyer. The charges are modeled by three nonlinear capacitances, C_{gb} , C_{gd} , and C_{gs} .

$$C_{\text{ox}} = \text{COX} \cdot W \cdot L_{\text{eff}}$$

Accumulation region ($V_{\text{gs}} < V_{\text{on}} - \text{PHI}$)

$$\begin{aligned} \text{For } V_{\text{gs}} < V_{\text{on}} - \text{PHI}, \\ C_{\text{gb}} &= C_{\text{ox}} + \text{CGBO} \cdot L_{\text{eff}} \\ C_{\text{gs}} &= \text{CGSO} \cdot W \\ C_{\text{gd}} &= \text{CGDO} \cdot W \end{aligned}$$

Depletion region ($V_{on} - \text{PHI} < V_{gs} < V_{on}$)

$$C_{gb} = C_{ox} \cdot (V_{on} - V_{gs})/\text{PHI} + C_{GBO} \cdot L_{eff}$$

$$C_{gs} = 2/3 \cdot C_{ox} \cdot ((V_{on} - V_{gs})/\text{PHI} + 1) + C_{GSO} \cdot W$$

$$C_{gd} = C_{GDO} \cdot W$$

Saturation region ($V_{on} < V_{gs} < V_{on} + V_{ds}$)

$$C_{gb} = C_{GBO} \cdot L_{eff}$$

$$C_{gs} = 2/3 \cdot C_{ox} + C_{GSO} \cdot W$$

$$C_{gd} = C_{GDO} \cdot W$$

Linear region:

For $V_{gs} > V_{on} + V_{ds}$,

$$C_{gb} = C_{GBO} \cdot L_{eff}$$

$$C_{gs} = C_{ox} \cdot (1 - ((V_{gs} - V_{ds} - V_{on})/(2 \cdot (V_{gs} - V_{on}) - V_{ds}))^2) + C_{GSO} \cdot W$$

$$C_{gd} = C_{ox} \cdot (1 - ((V_{gs} - V_{on})/(2 \cdot (V_{gs} - V_{on}) - V_{ds}))^2) + C_{GDO} \cdot W$$

Junction capacitance

If $CBS=0$ and $CBD=0$ then

$$C_{bs} = C_{J(T)} \cdot A_S \cdot f_1(V_{BS}) + C_{JSW(T)} \cdot P_S \cdot f_2(V_{BS}) + T_T \cdot G_{BS}$$

$$C_{bd} = C_{J(T)} \cdot A_D \cdot f_1(V_{BD}) + C_{JSW(T)} \cdot P_D \cdot f_2(V_{BD}) + T_T \cdot G_{BD}$$

else

$$C_{bs} = C_{BS(T)} \cdot f_1(V_{BS}) + C_{JSW(T)} \cdot P_S \cdot f_2(V_{BS}) + T_T \cdot G_{BS}$$

$$C_{bd} = C_{BD(T)} \cdot f_1(V_{BD}) + C_{JSW(T)} \cdot P_D \cdot f_2(V_{BD}) + T_T \cdot G_{BD}$$

G_{BS} = DC bulk-source conductance = $d(IBS)/d(V_{BS})$

G_{BD} = DC bulk-drain conductance = $d(IBD)/d(V_{BD})$

If $V_{BS} \leq FC \cdot P_B(T)$ then

$$f_1(V_{BS}) = 1/(1 - V_{BS}/P_B(T))^M$$

Else

$$f_1(V_{BS}) = (1 - FC \cdot (1+M) + M \cdot (V_{BS}/P_B(T))) / (1 - FC)^{(1-M)}$$

If $V_{BS} \leq FC \cdot P_{BSW}(T)$ then

$$f_2(V_{BS}) = 1/(1 - V_{BS}/P_{BSW}(T))^M$$

Else

$$f_2(V_{BS}) = (1 - FC \cdot (1+M) + M \cdot (V_{BS}/P_{BSW}(T))) / (1 - FC)^{(1-M)}$$

If $V_{BD} \leq FC \cdot P_B(T)$ then

$$f_1(V_{BD}) = 1/(1 - V_{BD}/P_B(T))^M$$

Else

$$f_1(V_{BD}) = (1 - FC \cdot (1+M) + M \cdot (V_{BD}/P_B(T))) / (1 - FC)^{(1-M)}$$

If $V_{BD} \leq FC \cdot PBSW(T)$ then

$$f2(V_{BD}) = 1 / (1 - V_{BD}/PBSW(T))^M$$

Else

$$f2(V_{BD}) = (1 - FC \cdot (1+M) + M \cdot (V_{BD}/PBSW(T))) / (1 - FC)^{(1-M)}$$

Model parameters for BSIM1 level 4

These are the model parameters for the BSIM1 model, level 4. There are no default values. All parameter values must be specified. All parameters are binnable except those marked with an asterisk.

Name	Parameter	Units
DL*	Channel length reduction	μ
DW*	Channel width reduction	μ
TOX*	Gate oxide thickness	μ
VDD*	Supply voltage for MUS	
XPART*	Channel charge partitioning flag	
DELL*	Unused: Length reduction of S-D diff.	
VFB	Flat band voltage	V
PHI	Strong inversion surface potential	V
K1	Bulk effect coefficient 1	\sqrt{V}
K2	Bulk effect coefficient 2	
ETA	VDS dependence of threshold voltage	
X2E	VBS dependence of ETA	V^{-1}
X3E	VDS dependence of ETA	V^{-1}
MUZ*	Mobility at $v_{ds}=0, v_{gs}=v_{th}$	cm^2/Vs
X2MZ	VBS dependence of MUZ	
MUS	Mobility at $v_{ds}=v_{dd}, v_{gs}=v_{th}$	
X2MS	VBS dependence of MUS	
X3MS	VDS dependence of MUS	
U0	VGS dependence of mobility	
X2U0	VBS dependence of U0	
U1	VDS dependence of mobility	
X2U1	VBS dependence of U1	
X3U1	VDS dependence of U1	
N0	Subthreshold slope	
NB	VBS dependence of subthreshold slope	
ND	VDS dependence of subthreshold slope	

Model parameters for BSIM2 level 5

These are the model parameters for the BSIM 2 model, level 5. All parameters are binnable except those marked with an asterisk.

Name	Parameter	Units	Default
DL*	Channel length reduction	μ	0.00
DW*	Channel width reduction	μ	0.00
TOX*	Gate oxide thickness	μ	0.00
VFB	Flat band voltage	V	-1.00
PHI	Strong inversion surface potential	V	0.75
K1	Bulk effect coefficient 1	\sqrt{V}	0.80
K2	Bulk effect coefficient 2		0.00
ETA0	VDS dependence of threshold voltage		0.00
ETAB	VBS dependence of ETA0	V^{-1}	0.00
MU0*	Mobility at $v_{ds}=0, v_{gs}=v_{th}$	$m^2/V \cdot s$	400
MU0B	VBS dependence of MU0	$m^2/V^2 \cdot s$	0.00
MUS0	Mobility at $v_{ds}=v_{dd}, v_{gs}=v_{th}$	$m^2/V \cdot s$	500
MUSB	VBS dependence of MUS	$m^2/V^2 \cdot s$	0.00
MU20	VDS dependence of MU in tanh term	$m^2/V^2 \cdot s$	1.5
MU2B	VBS dependence of MU2	$m^2/V^3 \cdot s$	0.00
MU2G	VGS dependence of MU2	$m^2/V^3 \cdot s$	0.00
MU30	VDS dependence of MU in linear term	$m^2/V^2 \cdot s$	10.0
MU3B	VBS dependence of MU3	$m^2/V^3 \cdot s$	0.00
MU3G	VGS dependence of MU3	$m^2/V^3 \cdot s$	0.00
MU40	VDS dependence of MU in quad. term	$m^2/V^4 \cdot s$	0.00
MU4B	VBS dependence of MU4	$m^2/V^5 \cdot s$	0.00
MU4G	VGS dependence of MU4	$m^2/V^5 \cdot s$	0.00
UA0	Linear VGS dependence of mobility	$m^2/V^2 \cdot s$	0.20
UAB	VBS dependence of UA	$m^2/V^3 \cdot s$	0.00
UB0	Quadratic VGS dependence of mobility	$m^2/V^3 \cdot s$	0.00
UBB	VBS dependence of UB	$m^2/V^4 \cdot s$	0.00
U10	VDS dependence of mobility	$m^2/V^2 \cdot s$	0.10
U1B	VBS dependence of U1	$m^2/V^3 \cdot s$	0.00
U1D	VDS dependence of U1	$m^2/V^3 \cdot s$	0.00
N0	Subthreshold slope at $v_{ds}=0, v_{bs}=0$		1.40
NB	VBS dependence of N	\sqrt{V}	0.50
ND	VDS dependence of N	V^{-1}	0.00
VOF0	Threshold voltage offset at $v_{ds}=0, v_{bs}=0$	V	1.80
VOFB	VBS dependence of VOF		0.00
VOFD	VDS dependence of VOF		0.00
AI0	Pre-factor of hot electron effect		0.00

Model parameters for BSIM2 level 5

Name	Parameter	Units	Default
AIB	VBS dependence of AI	V ⁻¹	0.00
BI0	Exponential factor of hot electron effect		0.00
BIB	VBS dependence of BI	V ⁻¹	0.00
VGHIGH	Upper bound of cubic spline function	μ•V	0.20
VGLOW	Lower bound of cubic spline function	V	-0.15
VDD*	Maximum VDS	V	5.00
VGG*	Maximum VGS	V	5.00
VBB*	Maximum VBS	V	5.00
XPART*	Channel charge partitioning flag		0.00
DELL*	Unused: length reduction of S-D diff.	m	0.00

Model parameters for BSIM3 level 8 and 49

These are the model parameters for the BSIM 3 model. This is the Berkeley BSIM3v3.3, dated 7/29/2005. All parameters are binnable except those marked with an asterisk.

Name	Default	Parameter
Level*	8	Must be 8 or 49
A0	1	Bulk charge effect coefficient
A1	0	First non-saturation effect parameter
A2	1	Second non-saturation effect parameter
ACDE	1	Exponential coefficient for finite charge thickness
ACNQSMOD*	0	AC NQS model selector
AF*	1	Flicker noise exponent for noimod = 1
AGS	0	Gate bias coefficient for channel length
ALPHA0	0	First impact ionization current parameter
ALPHA1	0	Second impact ionization current parameter
AT	33K	Saturation velocity temperature coefficient
B0	0	Bulk charge effect coefficient for channel width
B1	0	Bulk charge effect width offset
BETA0	30	Second parameter for impact ionization current
BINFLAG*	0	Determines binning method: 1=HSpice binning, 0=Berkeley SPICE binning.
BINUNIT*	1	Bin units selector
CAPMOD*	3	Flag for short channel capacitance model
CBD*	0	Zero bias B-D junction capacitance
CBS*	0	Zero bias B-S junction capacitance
CDSC	240u	Drain/source to channel coupling capacitance
CDSCB	0	Body-bias sensitivity of CDSC
CDSCD	0	Drain-bias sensitivity of CDSC
CF	None	Fringing field capacitance
CGBO*	None	Gate-bulk overlap capacitance/area
CGDL	0	Non-LDD region drain-gate overlap capacitance per unit channel length
CGDO*	None	Gate-drain overlap capacitance/area
CGSL	0	Non-LDD region source-gate overlap capacitance per unit channel length
CGSO*	None	Gate-source overlap capacitance/area
CIT	0	Interface trap capacitance
CJ*	500u	Bulk bottom zero-bias capacitance/area
CJSW*	500p	Bulk sidewall zero-bias capacitance/area

Model parameters for BSIM3 level 8 and 49

Name	Default	Parameter
CJSWG*	CJSW	S/D gate sidewall junction capacitance
CKAPPA	600m	Coefficient for lightly doped region overlap fringing field capacitance
CLC	100n	Constant term for short channel model
CLE	600m	Exponential term for short channel model
DELTA	10m	Effective Vds parameter
DLC*	LINT	Length offset fitting parameter from C-V
DROUT	560m	L dependence coefficient of the DIBL correction parameter in ROUT
DSUB	DROUT	DIBL coefficient exponent in subthreshold region
DVT0	2.2	First coefficient of short-channel effect on threshold voltage
DVT0W	0	First coefficient of narrow width effect on Vth for small channel length
DVT1	530m	Second coefficient of short-channel effect on threshold voltage
DVT1W	5.3MEG	Second coefficient of narrow width effect on Vth for small channel length
DVT2	-32m	Body bias coefficient of short-channel effect on threshold voltage
DVT2W	-32m	Body bias coefficient of narrow width effect on Vth for small channel length
DWB	0	Coefficient of Weff's substrate body bias dependence
DWC*	WINT	Width offset fitting parameter from C-V
DWG	0	Coefficient of Weff's dependence
EF*	1	Frequency exponent for noise model = 2
ELM	5	Elmore constant of the channel
EM*	41MEG	Saturation field
ETA0	80m	DIBL coefficient in subthreshold region
ETAB	-70m	Body bias coefficient for the subthreshold DIBL coefficient
GAMMA1	0	Body effect coefficient near the interface
GAMMA2	0	Body effect coefficient in the bulk
GDSNOI*	1	Channel shot noise coefficient
IJTH*	100m	Diode limiting current
JS*	100u	Bulk bottom saturation current density

Model parameters for BSIM3 level 8 and 49

Name	Default	Parameter
JSW*	0	Bulk sidewall saturation current density
K1	0	First-order body effect coefficient
K2	0	Second-order body effect coefficient
K3	80	Narrow width effect coefficient
K3B	0	Body effect coefficient of K3
KETA	-47m	Body bias coefficient of the bulk charge effect
KF*	0	Flicker noise coefficient for noimod = 1
KT1	-110m	Temperature coefficient for threshold voltage
KT1L	0	Channel length sensitivity of temperature coefficient for threshold voltage
KT2	22m	Body bias coefficient of the threshold voltage temperature effect
L*	0	Channel length in meters
LINT*	0	Length offset fitting parameter from I-V without bias
LINTNOI*	0	Lint offset for noise calculation
LL*	0	Coeff. for length dependence of length offset
LLC*	LL	Length reduction parameter for CV
LLN*	1	Power of length dependence for length offset
LMAX*	None	Maximum channel length for HSpice binning
LMIN*	None	Minimum channel length for HSpice binning
LREF*	None	Length reference for HSpice binning
LW*	0	Coeff. for width dependence for length offset
LWC*	LW	Length reduction parameter for CV
LWL*	0	Coefficient of length and width cross term for length offset
LWLC*	LWL	Length reduction parameter for CV
LWN*	1	Power of width dependence for length offset
MJ*	500m	Bulk bottom grading coefficient
MJSW*	330m	Bulk sidewall grading coefficient
MJSWG*	MJSW	S/D gate sidewall junction capacitance grading coefficient
MOBMOD*	1	Mobility model
MOIN	15	Coefficient for gate-bias dependent surface
NCH	1.7E17	Channel doping concentration
NFACTOR	1	Subthreshold swing factor
NGATE	0	Poly gate doping concentration
NJ*	1	Emission coefficient (takes priority over N)

Model parameters for BSIM3 level 8 and 49

Name	Default	Parameter
NLEV*	2	PSpice noise model selector
NLX	174n	Lateral non-uniform doping coefficient
NOFF	1	C-V turn-on/off parameter
NOIA*	1E20,9.9E18	Noise parameter A
NOIB*	50K,2.4K	Noise parameter B
NOIC*	-1.4p,1.4p	Noise parameter C
NOIMOD*	1	Flag for noise model
NQSMOD*	0	Flag for NQS model
NSUB	60000T	Substrate doping concentration
PARAMCHK*	0	Controls whether checking is on or off
PB*	1	Bulk bottom potential
PBSW*	1	Bulk sidewall potential
PBSWG*	PBSW	S/D gate sidewall junction built-in potential
PCLM	1.3	Channel length modulation parameter
PDIBLC1	390m	First Rout DIBL correction parameter
PDIBLC2	8.6m	Second Rout DIBL correction parameter
PDIBLCB	0	Body coefficient of DIBL parameters
PRT	0	Temperature coefficient for RDSW
PRWB	0	Body effect coefficient of RDSW
PRWG	0	Gate bias effect coefficient of RDSW
PSCBE1	424MEG	First substrate current body effect parameter
PSCBE2	10u	Second substrate current body effect parameter
PVAG	0	Gate dependence of Early voltage
RB*	0	Bulk resistance
RD*	0	Drain resistance
RDS*	0	Drain-source shunt resistance
RDSW	0	Parasitic resistance per unit width
RG*	0	Gate resistance
RS*	0	Source resistance
RSH*	0	Drain-source diffusion sheet resistance
T_ABS*	None	Absolute temperature
T_MEASURED*	None	Parameter measurement temperature
T_REL_GLOBAL*	None	Relative to current temperature
T_REL_LOCAL*	None	Relative to AKO model temperature
TCJ*	0	Temperature coefficient of cj
TCJSW*	0	Temperature coefficient of cjsw
TCJSWG*	0	Temperature coefficient of cjswg

Model parameters for BSIM3 level 8 and 49

Name	Default	Parameter
TNOM*	None	Parameter measurement temperature (if specified this overrides T_MEASURED)
TOX*	15n	Gate oxide thickness in meters
TOXM*	TOX	Gate oxide thickness used in extraction
TPB*	0	Temperature coefficient of pb
TPBSW*	0	Temperature coefficient of pbsw
TPBSWG*	0	Temperature coefficient of pbswg
TT*	0	Bulk pn transit time
U0	67m,25m	Mobility at Temp = TNOM
UA	2.25n	First-order mobility degradation coefficient
UA1	4.31n	Temperature coefficient for UA
UB	.000587f	Second-order mobility degradation coefficient
UB1	-.00761f	Temperature coefficient for UB
UC	None	Body effect mobility degradation coefficient If mobmod=3, default = -.0465 else -4.65e-11
UC1	None	Temperature coefficient for UC If mobmod=3, default = -.0560 else -5.60E-11
UTE	-1.5	Mobility temperature exponent
VBM	-3	Maximum applied body bias in Vth calculation
VBX	0	Vbs at which the depletion width equals XT
VERSION*	3.3	Model version number, must be 3.3
VFB	0	Flatband voltage for DC I-V calculation
VFBCV	-1	Flat-band voltage parameter for CAPMOD=0
VOFF	-80m	Offset voltage in the subthreshold region for large W and L
VOFFCV	0	Coefficient for gate-bias dependent surface
VSAT	80K	Saturation velocity at Temp = TNOM
VTH0	700m,-700m	Threshold voltage at vbs=0 for large channel length
VTH0M*	0	VT short-distance matching parameter
W*	0	Channel width in meters
W0	2.5u	Narrow width effect parameter
WINT*	0	Width offset fitting parameter from I-V without bias
WL*	0	Coeff. for length dependence of width offset
WLC*	WL	Width reduction parameter for CV
WLN*	1	Power of length dependence of width offset
WMAX*	None	Maximum channel width for HSpice binning

Model parameters for BSIM3 level 8 and 49

Name	Default	Parameter
WMIN*	None	Minimum channel width for HSpice binning
WR	1	Width offset from Weff for Rds calculation
WREF*	None	Width reference for HSpice binning
WW*	0	Coefficient for width dependence of width offset
WWC*	WW	Width reduction parameter for CV
WWL*	0	Coefficient of length and width cross term for width offset
WWLC*	WWL	Width reduction parameter for CV
WWN*	1	Power of width dependence of width offset
XJ	150n	Junction depth
XPART*	0	Channel charge partitioning flag (Neg = none, 0=40/60, 0.5=50/50 1.0=100/0)
XT	155n	Doping depth
XTI*	3	Junction current temperature exponent coefficient

Model parameters for BSIM4 level 14

These are the model parameters for the BSIM4.5.0 model dated July 29, 2005. All parameters are binnable except those marked with an asterisk. Default entries specify NMOS, PMOS default values where they differ.

Name	Default	Description
LEVEL*	14	Model level. Must be 14.
A0	1	Non-uniform depletion width effect coefficient
A1	0	Non-saturation effect coefficient
A2	1	Non-saturation effect coefficient
ACDE	1	Exponential coefficient for finite charge thickness
ACNQSMOD*	0	AC NQS model selector
AF*	1	Flicker noise exponent
AGIDL	0	Pre-exponential constant for GIDL
AGS	0	Gate bias coefficient of Abulk.
AIGBACC	13.6m	Igb accumulation parameter
AIGBINV	11.1m	Igb inversion parameter
AIGC	13.6m,9.8m	Parameter for Igcs,Igcd
AIGSD	13.6m,9.8m	Parameter for Igs,Igd
ALPHA0	0	First parameter of impact ionization current
ALPHA1	0	Isub parameter for length scaling
AT	33K	Temperature coefficient of vsat
B0	0	First Abulk narrow width parameter
B1	0	Second Abulk narrow width parameter
BETA0	0	substrate current model parameter
BGIDL	2.3G	Exponential constant for GIDL
BIGBACC	1.71m	Parameter for Igb
BIGBINV	949u	Parameter for Igb
BIGC	1.71m,759u	Parameter for Igc
BIGSD	1.71m,759u	Parameter for Igs,d
BINFLAG*	0	Binning method: 1=HSpice, 0=Berkeley
BINUNIT*	1	Bin unit selector. 0=meters 1=microns
BVD*	BVS	Drain diode breakdown voltage
BVS*	10	Source diode breakdown voltage
CAPMOD*	2	Capacitance model selector
CDSC	240u	Drain/source and channel coupling capacitance
CDSCB	0	Body-bias dependence of cdsc
CDSCD	0	Drain-bias dependence of cdsc
CF	Computed	Fringe capacitance parameter
CGBO*	0	Gate-bulk overlap capacitance per length

Model parameters for BSIM4 level 14

Name	Default	Description
CGDL	0	New C-V model parameter
CGDO*	0	Gate-drain overlap capacitance per width
CGIDL	500m	Parameter for body-bias dependence of GIDL
CGSL	0	New C-V model parameter
CGSO*	0	Gate-source overlap capacitance per width
CIGBACC	75m	Parameter for I _{gb} in accumulation
CIGBINV	6m	Parameter for I _{gb} in inversion
CIGC	75m,30m	Parameter for I _{gc}
CIGSD	75m,30m	Parameter for I _{gs,d}
CIT	0	Interface state capacitance
CJD*	CJS	Drain bottom junction capacitance per unit area
CJS*	500u	Source bottom junction capacitance per unit area
CJSWD*	None	Drain sidewall junction capacitance per unit periphery
CJSWGD*	None	Drain (gate side) sidewall junction capacitance per unit width
CJSWGS*	None	Source (gate side) sidewall junction capacitance per unit width
CJSWS*	500p	Source sidewall junction capacitance per unit periphery
CKAPPAD	CKAPPAS	D/G overlap C-V parameter
CKAPPAS	600m	S/G overlap C-V parameter
CLC	100n	V _{dsat} parameter for C-V model
CLE	600m	V _{dsat} parameter for C-V model
DELTA	10m	Effective V _{ds} parameter
DIOMOD*	1	Diode IV model selector
DLC*	Computed	Delta L for C-V model
DLCIG*	LINT	Delta L for I _g model
DMCG*	0	Distance of mid-contact to gate edge
DMCGT*	0	Distance of mid-contact to gate edge in test structures
DMCI*	DMCG	Distance of mid-contact to isolation
DMDG*	0	Distance of mid-contact to gate edge
DROUT	560m	DIBL coefficient of output resistance
DSUB	DROUT	DIBL coefficient in the subthreshold region
DTOX*	0	Defined as (toxe - toxp)
DVT0	2.2	Short channel effect coeff. 0
DVT0W	0	Narrow Width coeff. 0

Model parameters for BSIM4 level 14

Name	Default	Description
DVT1	530m	Short channel effect coeff. 1
DVT1W	5.3MEG	Narrow width effect coeff. 1
DVT2	-32m	Short channel effect coeff. 2
DVT2W	-32m	Narrow width effect coeff. 2
DVTP0	0	First parameter for Vth shift due to pocket
DVTP1	0	Second parameter for Vth shift due to pocket
DWB	0	Width reduction parameter
DWC*	WINT	Delta W for C-V model
DWG	0	Width reduction parameter
DWJ*	DWC	Delta W for S/D junctions
EF*	1	Flicker noise frequency exponent
EGIDL	800m	Fitting parameter for band bending
EIGBINV	1.1	Parameter for the Si bandgap for Igbinv
EM*	41MEG	Flicker noise parameter
EPSROX*	3.9	Dielectric constant of the gate oxide relative to vacuum
ETA0	80m	First subthreshold region DIBL coefficient
ETAB	-70m	Second subthreshold region DIBL coefficient
EU	1.67,1	Mobility exponent
FNOIMOD*	1	Flicker noise model selector
FPROUT*	0	Rout degradation coefficient for pocket devices
GAMMA1	0	First Vth body coefficient
GAMMA2	0	Second Vth body coefficient
GBMIN*	1p	Minimum body conductance
GDSNOI*	1	Channel shot noise coefficient
GEOMOD*	0	Geometry dependent parasitics model selector
IGBMOD*	0	Gate-to-body Ig model selector
IGCMOD*	0	Gate-to-channel Ig model selector
IJTHDFWD*	IJTHSFWD	Forward drain diode forward limiting current
IJTHDREV*	IJTHSREV	Reverse drain diode forward limiting current
IJTHSFWD*	100m	Forward source diode forward limiting current
IJTHSREV*	100m	Reverse source diode forward limiting current
JSD*	JSS	Bottom drain junction reverse saturation current density
JSS*	100u	Bottom source junction reverse saturation current density
JSWD*	JSWS	Isolation edge sidewall drain junction reverse saturation current density

Model parameters for BSIM4 level 14

Name	Default	Description
JSWGD*	JSWGS	Gate edge drain junction reverse saturation current density
JSWGS*	0	Gate edge source junction reverse saturation current density
JSWS*	0	Isolation edge sidewall source junction reverse saturation current density
JTSD*	JTSS	Drain bottom trap-assisted saturation current density
JTSS*	0	Source bottom trap-assisted saturation current density
JTSSWD*	JTSSWS	Drain STI sidewall trap-assisted saturation current density
JTSSWGD*	JTSSWGS	Drain gate-edge sidewall trap-assisted saturation current density
JTSSWGS*	0	Source gate-edge sidewall trap-assisted saturation current density
JTSSWS*	0	Source STI sidewall trap-assisted saturation current density
K1	0	Bulk effect coefficient 1
K2	0	Bulk effect coefficient 2
K2WE	0	K2 shift factor for well proximity effect
K3	80	Narrow width effect coefficient
K3B	0	Body effect coefficient of k3
KETA	-47m	Body-bias coefficient of non-uniform depletion width effect
KF*	0	Flicker noise coefficient
KT1	-110m	Temperature coefficient of Vth
KT1L	0	Length dependence of KT1
KT2	22m	Body bias coefficient of KT1
KU0	0	Mobility degradation/enhancement coefficient for LOD
KU0WE	0	Mobility degradation factor for well proximity effect
KVSAT*	0	Saturation velocity degradation/enhancement parameter for LOD
KVTH0	0	Threshold degradation/enhancement parameter for LOD

Model parameters for BSIM4 level 14

Name	Default	Description
KVTH0WE	0	Threshold shift factor for well proximity effect
LAMBDA	0	Velocity overshoot parameter
LC*	5n	Back scattering parameter
LINT*	0	Channel length offset parameter
LINTNOI*	0	Lint offset for noise calculation
LL*	0	Coeff. of length dependence of length offset
LLC*	LL	Length reduction parameter for CV
LLN*	1	Power of length dependence of length offset
LLODKU0*	0	Length parameter for u0 LOD effect
LLODVTH*	0	Length parameter for VTH LOD effect
LMAX*	1	Maximum length for the model
LMIN*	0	Minimum length for the model
LODETA0*	1	ETA0 shift modification factor for stress effect
LODK2*	1	K2 shift modification factor for stress effect
LP	10n	Channel length exponential factor of mobility
LPE0	174n	Equivalent length of pocket region at zero bias
LPEB	0	Equivalent length of pocket region accounting for body bias
LREF*	None	Length reference for HSpice binning
LW*	0	Coeff. of width dependence of length offset
LWC*	LW	Coefficient of width dependence for CV channel length offset
LWL*	0	Coeff. of L*W product term for length offset
LWLC*	LWL	Length reduction parameter for CV
LWN*	1	Power of length dependence for length offset
MINV	0	Vgsteff fitting parameter for moderate inversion
MJD*	MJS	Drain bottom junction capacitance grading coeff.
MJS*	500m	Source bottom junction capacitance grading coefficient
MJSWD*	MJSWS	Drain sidewall junction capacitance grading coefficient
MJSWGD*	MJSWGS	Drain (gate side) sidewall junction capacitance grading coefficient
MJSWGS*	MJSWS	Source (gate side) sidewall junction capacitance grading coefficient
MJSWS*	330m	Source sidewall junction capacitance grading coefficient
MOBMOD*	0	Mobility model selector

Model parameters for BSIM4 level 14

Name	Default	Description
MOIN	15	Coefficient for gate-bias dependent surface potential
NDEP	1.7E17	Depletion edge channel doping concentration
NFACTOR	1	Subthreshold swing coefficient
NGATE	0	Poly-gate doping concentration
NGCON*	1	Number of gate contacts
NIGBACC	1	Parameter for Igbacc slope
NIGBINV	3	Parameter for Igbinv slope
NIGC	1	Parameter for Igc slope
NJD*	NJS	Drain junction emission coefficient
NJS*	1	Source junction emission coefficient
NJTS*	20	Bottom junction non-ideality factor
NJTSSW*	20	STI sidewall junction non-ideality factor
NJTSSWG*	20	Gate-edge sidewall junction non-ideality factor
NLEV*	None	PSpice noise equation selector
NOFF	1	C-V turn-on/off parameter
NOIA*	6.25E41,6.188E40	First flicker noise parameter
NOIB*	3.125E26,1.5E25	First flicker noise parameter
NOIC*	8.75G	Flicker noise parameter
NSD	1E20	S/D doping concentration
NSUB	60000T	Substrate doping concentration
NTNOI*	1	Thermal noise parameter
NTOX	1	Exponent for Tox ratio
PARAMCHK*	1	Model parameter checking selector
PBD*	PBS	Drain junction built-in potential
PBS*	1	Source junction built-in potential
PBSWD*	PBSWS	Drain sidewall junction capacitance built in potential
PBSWGD*	PBSWGS	Drain (gate side) sidewall junction capacitance built in potential
PBSWGS*	PBSWS	Source (gate side) sidewall junction capacitance built in potential
PBSWS*	1	Source sidewall junction capacitance built in potential
PCLM	1.3	Channel length modulation coefficient
PDIBLC1	390m	First DIBL coefficient
PDIBLC2	8.6m	Second DIBL coefficient

Model parameters for BSIM4 level 14

Name	Default	Description
PDIBLCB	0	Body-effect on drain-induced barrier lowering
PDITS	0	Coefficient for drain-induced Vth shifts
PDITSD	0	Vds dependence of drain-induced Vth shifts
PDITSL*	0	Length dependence of drain-induced Vth shifts
PERMOD*	1	Pd and Ps model selector
PHIN	0	Adjusting parameter for surface potential due to non-uniform vertical doping
PIGCD	1	Parameter for Igc partition
POXEDGE	1	Factor for the gate edge Tox
PRT	0	Temperature coefficient of parasitic resistance
PRWB	0	Body-effect on parasitic resistance
PRWG	1	Gate-bias effect on parasitic resistance
PSCBE1	424MEG	First substrate current body-effect coefficient
PSCBE2	10u	Second substrate current body-effect coefficient
PVAG	0	Gate dependence of output resistance parameter
RBDB*	50	Resistance between bNode and dbNode
RBDBX0*	100	Body resistance RBDBX scaling
RBDBY0*	100	Body resistance RBDBY scaling
RBODYMOD*	0	Distributed body R model selector
RBPB*	50	Resistance between bNodePrime and bNode
RBPBX0*	100	Body resistance RBPBX scaling
RBPBXL*	0	Body resistance RBPBX L scaling
RBPBXNF*	0	Body resistance RBPBX NF scaling
RBPBXW*	0	Body resistance RBPBX W scaling
RBPBY0*	100	Body resistance RBPBY scaling
RBPBYL*	0	Body resistance RBPBY L scaling
RBPBYNF*	0	Body resistance RBPBY NF scaling
RBPBYW*	0	Body resistance RBPBY W scaling
RBPD*	50	Resistance between bNodePrime and dbNode
RBPD0*	50	Body resistance RBPD scaling
RBPDL*	0	Body resistance RBPD L scaling
RBPDNF*	0	Body resistance RBPD NF scaling
RBPDW*	0	Body resistance RBPD W scaling
RBPS*	50	Resistance between bNodePrime and sbNode
RBPS0*	50	Body resistance RBPS scaling
RBPSL*	0	Body resistance RBPS L scaling
RBPSNF*	0	Body resistance RBPS NF scaling
RBPSW*	0	Body resistance RBPS W scaling

Model parameters for BSIM4 level 14

Name	Default	Description
RBSB*	50	Resistance between bNode and sbNode
RBSBX0*	100	Body resistance RBSBX scaling
RBSBY0*	100	Body resistance RBSBY scaling
RBSDBXL*	0	Body resistance RBSDBX L scaling
RBSDBXNF*	0	Body resistance RBSDBX NF scaling
RBSDBXW*	0	Body resistance RBSDBX W scaling
RBSDBYL*	0	Body resistance RBSDBY L scaling
RBSDBYNF*	0	Body resistance RBSDBY NF scaling
RBSDBYW*	0	Body resistance RBSDBY W scaling
RDSMOD*	0	Bias-dependent S/D resistance model selector
RDSW	200	Source-drain resistance per width
RDSWMIN*	0	Source-drain resistance per width at high Vg
RDW	100	Drain resistance per width
RDWMIN*	0	Drain resistance per width at high Vg
RGATEMOD*	0	Gate R model selector
RNOIA*	577m	First thermal noise coefficient
RNOIB*	516.4m	Second thermal noise coefficient
RSH*	0	Source-drain sheet resistance
RSHG*	100m	Gate sheet resistance
RSW	100	Source resistance per width
RSWMIN*	0	Source resistance per width at high Vg
SAREF*	1u	Reference distance between OD edge to poly of one side
SBREF*	1u	Reference distance between OD edge to poly of the other side
SCREF*	1u	Reference distance to calculate SCA, SCB and SCC
STETA0*	0	ETA0 shift factor related to stress effect on VTH
STK2*	0	K2 shift factor related to stress effect on VTH
T_ABS*	None	Absolute temperature
T_MEASURED*	None	Parameter measured temperature
T_REL_GLOBAL*	None	Relative to current temperature
T_REL_LOCAL*	None	Relative to AKO model temperature
TCJ*	0	Temperature coefficient of cj
TCJSW*	0	Temperature coefficient of cjsw
TCJSWG*	0	Temperature coefficient of cjswg
TEMPMOD*	0	Temperature model selector

Model parameters for BSIM4 level 14

Name	Default	Description
TKU0*	0	Temperature coefficient of KU0
TNJTS*	0	Temperature coefficient for NJTS
TNJTSSW*	0	Temperature coefficient for NJTSSW
TNJTSSWG*	0	Temperature coefficient for NJTSSWG
TNOIA*	1.5	Coefficient of channel-length dependence of total channel thermal noise
TNOIB*	3.5	Channel-length dependence parameter for channel thermal noise partitioning
TNOIMOD*	0	Thermal noise model selector
TNOM*	None	Parameter measurement temperature (if specified this overrides T_MEASURED)
TOXE*	3n	Electrical gate oxide thickness in meters
TOXM*	TOXE	Gate oxide thickness at which parameters are extracted
TOXP*	TOXE	Physical gate oxide thickness in meters
TOXREF*	3n	Target tox value
TPB*	0	Temperature coefficient of pb
TPBSW*	0	Temperature coefficient of pbsw
TPBSWG*	0	Temperature coefficient of pbswg
TRNQSMOD*	0	Transient NQS model selector
TVFBSDOFF	0	Temperature parameter for VFBSDOFF
TVOFF	0	Temperature parameter for VOFF
U0	67m,25m	Low-field mobility at Tnom
UA	Multiple	Linear gate dependence of mobility 1f for MOBMOD=2, else 1n
UA1	1n	Temperature coefficient of ua
UB	.0001f	Quadratic gate dependence of mobility
UB1	-.001f	Temperature coefficient of ub
UC	Multiple	Body-bias dependence of mobility -.0465 for MOBMOD=1, else -.0465n
UC1	Multiple	Temperature coefficient of uc -.056 for MOBMOD=1, else -.056n
UD	100T	Coulomb scattering factor of mobility
UD1	0	Temperature coefficient of ud
UP	0	Channel length linear factor of mobility
UTE	-1.5	Temperature coefficient of mobility
VBM	-3	Maximum body voltage
VBX	0	Vth transition body voltage

Model parameters for BSIM4 level 14

Name	Default	Description
VERSION*	"4.5.0"	Model version parameter
VFB	0	Flat band voltage
VFBCV	-1	Flat band voltage parameter for capmod=0 only
VFBSDOFF	0	S/D flatband voltage offset
VOFF	-80m	Threshold voltage offset
VOFFCV	0	C-V lateral-shift parameter
VOFFL*	0	Length dependence parameter for Vth offset
VSAT	80K	Saturation velocity at tnom
VTH0	700m,-700m	Threshold voltage
VTH0M*	0	VT short-distance matching parameter
VTL	200K	Thermal velocity
VTSD*	VTSS	Drain bottom trap-assisted voltage dependent parameter
VTSS*	10	Source bottom trap-assisted voltage dependent parameter
VTSSWD*	VTSSWS	Drain STI sidewall trap-assisted voltage dependent parameter
VTSSWGD*	VTSSWGS	Drain gate-edge sidewall trap-assisted voltage dependent parameter
VTSSWGS*	10	Source gate-edge sidewall trap-assisted voltage dependent parameter
VTSSWS*	10	Source STI sidewall trap-assisted voltage dependent parameter
W0	2.5u	Narrow width effect parameter
WEB*	0	Coefficient for SCB
WEC*	0	Coefficient for SCC
WINT*	0	Channel width offset parameter
WL*	0	Coeff. of length dependence for width offset
WLC*	WL	Width reduction parameter for CV
WLN*	1	Width reduction parameter
WLOD*	0	Width parameter for stress effect
WLODKU0*	0	Width parameter for U0 LOD effect
WLODVTH*	0	Width parameter for VTH LOD effect
WMAX*	1.0	Maximum width for the model
WMIN*	0.0	Minimum width for the model
WPEMOD*	0	Flag for WPE model (WPEMOD=1 to activate this model)
WR	1	Width dependence of RDS

Model parameters for BSIM4 level 14

Name	Default	Description
WREF*	None	Width reference for HSpice binning
WW*	0	Width reduction parameter
WWC*	WW	Coefficient of width dependence CV channel width offset
WWL*	0	Coefficient of length and width product term dependence for width offset
WWLC*	WWL	Coefficient of length and width product dependence for CV channel width
WWN*	1	Power of width dependence of width offset
XGL*	0	Variation in Ldrawn
XGW*	0	Distance from gate contact center to device edge
XJ	150n	Junction depth in meters
XJBVD*	XJBVS	Fitting parameter for drain diode breakdown current
XJBVS*	1	Fitting parameter for source diode breakdown current
XL*	0	L offset for channel length due to mask/etch effect
XN	3	Back scattering parameter
XPART*	0	Channel charge partitioning
XRCRG1	12	First fitting parameter for bias-dependent Rg
XRCRG2	1	Second fitting parameter for bias-dependent Rg
XT	155n	Doping depth
XTID*	XTIS	Drain junction current temperature exponent
XTIS*	3	Source junction current temperature exponent
XTSD*	XTSS	Power dependence of JTSD on temperature
XTSS*	20m	Power dependence of JTSS on temperature
XTSSWD*	XTSSWS	Power dependence of JTSSWD on temperature
XTSSWGD*	XTSSWGS	Power dependence of JTSSWGD on temperature
XTSSWGS*	20m	Power dependence of JTSSWGS on temperature
XTSSWS*	20m	Power dependence of JTSSWS on temperature
XW*	0	W offset for channel width due to mask/etch effect

Binning

Binning is the process of adjusting model parameters for different values of drawn channel length (L) and width (W). It is available in all BSIM versions. All model parameters are binnable except those marked with an asterisk.

Binning in BSIM1 and BSIM2 uses the Berkeley method and uses the length and width terms only.

Binning for both BSIM3 (Level = 8 or Level = 49) and BSIM4 (Level = 14) uses length, width, and product terms. There are two ways to bin in these models:

Original Berkeley method

This method is used if the parameter BINFLAG is ≤ 0.9 or, if either the WREF or LREF parameters are absent.

A binnable parameter X, with a nominal value of X0 is calculated for a given L and W as follows:

$$L_{\text{eff}} = L - 2 \cdot DL$$

$$W_{\text{eff}} = W - 2 \cdot DW$$

$$X = X0 + XL/L_{\text{eff}} + XW/W_{\text{eff}} + XP/L_{\text{eff}}/W_{\text{eff}}$$

XL = Parameter X's length dependence

XW = Parameter X's width dependence

XP = Parameter X's product (length*width) dependence

HSPICE method

This method uses the model parameters LMIN, LMAX, WMIN, WMAX, LREF, and WREF to provide multiple cell binning. LMIN, LMAX, WMIN, WMAX define the cell boundary. LREF, WREF are offset values used to interpolate a value within the cell boundaries. The model parameters are assumed to apply for the case $L_{\text{eff}} = L_{\text{ref}}$ and $W_{\text{eff}} = W_{\text{ref}}$.

When this method is used Micro-Cap expects to find multiple model statements (or parameter sets) of the form:

```
.MODEL NC.1 NMOS (WMIN=1U WMAX=5U LMIN=.1U LMAX=.3U...)  
.MODEL NC.2 NMOS (WMIN=5U WMAX=20U LMIN=.1U LMAX=.3U...)  
.MODEL NC.3 NMOS (WMIN=1U WMAX=5U LMIN=.3U LMAX=1U...)  
.MODEL NC.4 NMOS (WMIN=5U WMAX=20U LMIN=.3U LMAX=1U...)
```

Here NC is the basic model name and NC.1, NC.2, ... are the model parameters for the W values between WMIN to WMAX and L values between LMIN to LMAX.

Micro-Cap selects the model statement or parameter set for which the following statements are both true:

$$\begin{aligned} \text{WMIN} &\leq \text{W AND W} \leq \text{WMAX} \\ \text{LMIN} &\leq \text{L AND L} \leq \text{LMAX} \end{aligned}$$

If it can't find a model statement (or parameter set) for which these conditions are true, an error message is generated.

Once the model statement (or parameter set) is selected the binnable parameters are calculated as follows:

$$\begin{aligned} \text{Leff} &= \text{L} - 2 * \text{DL} \\ \text{Weff} &= \text{W} - 2 * \text{DW} \end{aligned}$$

$$\begin{aligned} \text{X} &= \text{X0} + \text{Xl} * (1 / \text{Leff} - 1 / \text{LREF}) + \text{Xw} * (1 / \text{Weff} - 1 / \text{WREF}) \\ &\quad + \text{Xp} / (1 / \text{Leff} - 1 / \text{LREF}) / (1 / \text{Weff} - 1 / \text{WREF}) \end{aligned}$$

where Xl = Parameter X's length dependence
Xw = Parameter X's width dependence
Xp = Parameter X's product (length*width) dependence

Note that the starting values of L and W are those specified on the device line for a SPICE netlist device or in a VALUE attribute for a schematic device. Micro-Cap allows L and W to be specified in the model statement also, but *binning always uses the L and W specified at the device level.*

The units for the geometry parameters can be selected to be in microns by setting the model parameter BINUNIT = 1. For other choices of BINUNIT, the dimensions are in meters.

Short-distance matching for BSIM3 and BSIM4

BSIM3 and BSIM4 use the parameter VTH0M to account for short-distance VTH matching. The device threshold is adjusted as follows:

$$\text{VTH} = \text{VTH} + \text{VTH0M} / \text{SQRT}(\text{Weff} * \text{Leff})$$

MOSFET (EKV)

SPICE format

The EKV device format is similar to other MOSFETs but has a few more device parameters that are not found in the other models.

SPICE format

Syntax

```
M<name> <drain> <gate> <source> <bulk> <model name>  
+ [L=<length>] [W=<width>] [AD=<drainarea>] [AS=<sourcearea>]  
+ [PD=<drainperiphery>] [PS=<sourceperiphery>]  
+ [NRD=<drainsquares>] [NRS=<sourcesquares>]  
+ [NRG=<gatesquares>] [NRB=<bulksquares>]  
+ [NP|M=<no_parallel>] [NS|N=<no_series>]  
+ [SCALE=<scale>] [GEO=<geometry_model>]  
+ [TEMP=<temperature>]  
+ [OFF][IC=<vds>[,vgs[,vbs]]]
```

Examples of device instance

```
M1 5 7 9 0 IRF350 L=1.5E-6 W=0.25 NP=10 OFF IC=25.0,8.0  
MS 1 2 3 4 NSC SCALE=.8 GEO=2 NRD=1 NRS=2 AS=1E-11 AD=1E-11
```

Schematic format

PART attribute

<name>

Example of PART attribute

M1

VALUE attribute

```
[L=<length>] [W=<width>] [AD=<drainarea>] [AS=<sourcearea>]  
+ [PD=<drainperiphery>] [PS=<sourceperiphery>]  
+ [NRD=<drainsquares>] [NRS=<sourcesquares>]  
+ [NRG=<gatesquares>] [NRB=<bulksquares>]  
+ [NP|M=<no_parallel>] [NS|N=<no_series>]  
+ [SCALE=<scale>] [GEO=<geometry_model>]  
+ [TEMP=<temperature>]  
+ [OFF][IC=<vds>[,vgs[,vbs]]]
```

Examples of VALUE attribute

M=20 NRD=10 NRS=25 NRG=5

L=.35u IC=.1, 2.00

L=.4u W=2u OFF IC=0.05,1.00

MODEL attribute

<model name>

Examples of MODEL attribute

IRF350

<width> and <length> are the drawn device dimensions, before side diffusion, in meters. They can be specified as device attributes, model parameters, or by using the global default values, DEFW and DEFL. Device attributes supersede model parameters, which supersede the global DEFW and DEFL values from the Global Settings dialog box or a local .OPTIONS statement.

The initialization [IC=<vds>[,vgs[,vbs]]] assigns initial voltages to the drain-source, gate-source, and body-source terms in transient analysis if no operating point is done (or if the UIC flag is set). The [OFF] keyword forces the device off during the first iteration of the DC operating point.

<sourceperiphery> and <drainperiphery> are the diffusion peripheries (m). <sourcearea> and <drainarea> are the diffusion areas (sq. m). Source and drain junction capacitances may be specified directly by the model parameters CBS and CBD. If absent, they are calculated from area and periphery terms.

The diffusion resistances may be specified directly with the model parameters RS, RD, RG, and RB. If unspecified, they are calculated from the product of the sheet resistivity, RSH, and the number of squares terms, <drainsquares>, <sourcesquares>, <gatesquares>, and <bulksquares>. If these terms are absent, or zero, and the model parameters RS, RD, RG, and RB are absent or zero, then the parasitic resistances are not included in the model. The procedure used to calculate the resistive values is dependent upon the ACM model parameter and is described in the section "EKV diode parameter calculation methods".

<drainsquares> and <sourcesquares> default to 1.0. The other parameter line values default to zero.

<no_parallel> is the number of devices in parallel. <no_series> is the number of devices in series.

<no_parallel> multiplies the drain and source areas, the device width, the drain and source peripheries, and divides the lead resistances RS, RD, RG, and RB.

<no_series> divides the device length.

<scale> is a scaling parameter that multiplies or divides device parameters to account for device geometric scaling.

<geometry_model> is the geometry model selector. It is used only when the ACM (Area Calculation Method) model parameter is set to 3.

<temperature> is an optional device operating temperature. If specified, it takes precedence over the operating temperature computed from the model parameters, T_MEASURED, T_ABS, T_REL_GLOBAL, and T_REL_LOCAL. For more details on how device operating temperatures and Tnom temperatures are calculated from model parameters, see the .MODEL section of Chapter 26, "Command Statements".

Model parameters for EKV level 44

Setup Parameters

Name	Default	Range	Description
LEVEL	None	44	MOSFET model level. Must be 44 for EKV.
EKVINT	None	None	Interpolation method selector. EKVINT = 1 selects $F(v) = \ln^2(1+\exp(v/2))$
EKVDYN	0	0-1	EKVDYN=1 sets all intrinsic capacitances to zero.
UPDATE	None	None	RD,RS selector for ACM=1
SATLIM	exp(4)	None	Ratio defining the saturation limit. For operating point information only.
XQC	0.4	None	Charge/capacitance model selector. XQC=.4 selects original charge/transcapacitance model. XQC=1 selects simpler capacitance only model.

Process Related Parameters

Name	Default	Range	Description
COX	0.7E-3 F/m ²	None	Gate oxide capacitance/area
XJ	0.1E-6 m	>=1.0E-9	Junction depth
DW	0 m	None	Channel width correction (normally negative)
DL	0 m	None	Channel length correction (normally negative)

Basic Intrinsic Model Parameters

Name	Default	Range	Description
L	DEFL m	DEFL m	Channel length
W	DEFW m	DEFW m	Channel width
VTO	0.5 V	None	Long-channel threshold voltage
GAMMA	1.0 V ^{1/2}	>=0	Body effect parameter
PHI	0.7	>=0.1	Bulk Fermi potential
KP	50.0E-6 A/V ²	None	Transconductance parameter
E0 or EO	1.0E12 V/m	>=1E5	Mobility reduction coefficient
UCRIT	2.0E6 V/m	>=1E5	Longitudinal critical field

Model parameters for EKV level 44

The following parameters are to accommodate scaling behavior of the process and basic intrinsic model parameters, as well as statistical circuit simulation. Note that the parameters TOX, NSUB, VFB, UO, and VMAX are only used if COX, GAMMA and/or PHI, VTO, KP and UCRIT are *not* specified, respectively. Further, a simpler mobility reduction model due to vertical field is accessible. The mobility reduction coefficient THETA is only used if E0 is *not* specified.

Optional Parameters

Name	Default	Range	Description
TOX	0 m	None	Oxide thickness
NSUB	None cm ⁻³	None	Channel doping
VFB	None V	None	Flat-band voltage
UO	None cm ² /(Vs)	>=0	Low-field mobility
VMAX	None m/s	>=0	Saturation velocity
THETA	0 V ⁻¹	>=0	Mobility reduction coefficient

Channel Length Modulation and Charge Sharing Parameters

Name	Default	Range	Description
LAMBDA	0.5	>=0	Depletion length coefficient for channel length modulation
WETA	0.25	None	Narrow-channel effect coefficient
LETA	0.1	None	Short-channel effect coefficient

Reverse Short-channel Effect Parameters

Name	Default	Range	Description
Q0 or QO	0 A·s/m ²	None	Reverse short channel effect peak charge density
LK	0.29E-6 m	>=1.0E-8	Reverse short channel effect characteristic length

Impact Ionization Related Parameters

Name	Default	Range	Description
IBA	0 1/m	None	1'st impact ionization coefficient
IBB	3.0E8 V/m	>=1.0E8	2'nd impact ionization coeff.
IBN	1.0	>0.1	Saturation voltage factor for impact ionization

Model parameters for EKV level 44

Temperature Parameters

Name	Default	Range	Description
TR1	0 1/K	None	Linear resistance temperature coefficient
TR2	0 1/K	None	Quadratic resistance temperature coefficient
TCV	1.0E-3 V/K	None	Vth temperature coefficient
BEX	-1.5	None	Mobility temperature exponent
UCEX	0.8	None	Longitudinal critical field temperature exponent
IBBT	9.0E-4 1/K	None	Temperature coefficient for IBB
TNOM	27 °C	None	Parameter measurement temperature. TNOM takes priority over T_MEASURED.
XTI	0.0	None	Junction current temperature exponent coefficient
T_MEASURED	None °C	>0.0	Measured temperature
T_ABS	None °C	>0.0	Absolute temperature
T_REL_GLOBAL	None °C	None	Relative to current temperature
T_REL_LOCAL	None °C	None	Relative to AKO temperature

Extrinsic Resistance Parameters

Name	Default	Range	Description
RDS	∞	None	Drain-source shunt resistance
RDC	0 Ω	None	Drain contact resistance
RSC	0 Ω	None	Source contact resistance
RD	0 Ω	None	Drain ohmic resistance
RS	0 Ω	None	Source ohmic resistance
RG	0 Ω	None	Gate ohmic resistance
RB	0 Ω	None	Bulk ohmic resistance
RBSH	0 Ω / sq	None	Bulk sheet resistivity
RGSH	0 Ω / sq	None	Gate sheet resistivity
RSH	0 Ω / sq	None	Source / drain sheet resistivity

Extrinsic Capacitance Parameters

Name	Default	Range	Description
CGDO	0.0 F/m	None	Gate-drain overlap capacitance
CGSO	0.0 F/m	None	Gate-source overlap cap.

Model parameters for EKV level 44

Extrinsic Capacitance Parameters

Name	Default	Range	Description
CGBO	0.0 F/m	None	Gate-bulk overlap capacitance
CBD	0.0 F	None	Bulk p-n zero-bias bulk-drain capacitance
CBS	0.0 F	None	Bulk p-n zero-bias bulk-source capacitance
CJ	0.0 F/m ²	None	Bulk p-n zero-bias bottom capacitance
CJSW	0.0 F/m	None	Bulk p-n zero-bias sidewall capacitance
CJGATE	0.0 F	None	Zero-bias gate-edge sidewall bulk junction capacitance Only used with ACM=3

Extrinsic Junction Parameters

Name	Default	Range	Description
MJ	0.50	>0.0	Bulk p-n zero-bias bottom grad.
MJSW	MJ	>0.0	Bulk p-n zero-bias s/w coeff.

PN Junction Parameters

Name	Default	Range	Description
ACM	0	0-3	Area calculation parameter 0=SPICE style 1=ASPEC style 2=HSPICE style 3=HSPICE and stacked devices
TT	0.00 s	>=0	Bulk transit time
IS	1e-14 A	>0	Bulk saturation current
N	1.00	None	Bulk emission coefficient
JS	0.0 A/m ²	>=0	Bulk bottom current density
JSW	JSW A/m ²	>=0	Sidewall current density
PB	0.80 V	None	Bulk bottom potential
PBSW	PB V	None	Sidewall potential
FC	0.50	None	Forward-bias depletion coefficient

Model parameters for EKV level 44

Matching Parameters

Name	Default	Range	Description
AVTO	0 V·m	None	Area related threshold voltage mismatch parameter
AKP	0 m	None	Area related gain mismatch parameter
AGAMMA	0.0 V ^{1/2} ·m	None	Area related body effect mismatch parameter

Noise Parameters

Name	Default	Range	Description
KF	0	None	Flicker noise coefficient
AF	1	None	Flicker noise exponent
GDSNOI	1.0	None	Channel shot noise coefficient
NLEV	2.0	None	Noise equation selector

Geometry Parameters

Name	Default	Range	Description
SCALM	1.0	>0	Model parameter scale factor
HDIF	0 m	None	Length of heavily doped diffusion, from contact to lightly doped region (ACM=2, 3 only) HDIFwscaled=HDIF×SCALM
LD	None m	None	Lateral diffusion into channel from source and drain diffusion. If LD and XJ are unspecified, LD default=0.0. When LD is unspecified, but XJ is specified, LD is calculated from XJ. LD default=0.75 × XJ.
LDIF	0 m	None	Length of lightly doped diffusion adjacent to gate (ACM=1, 2) LDIFscaled = LDIF × SCALM
WMLT	1	None	Width diffusion layer shrink reduction factor
XJ	0 m	None	Metallurgical junction depth XJscaled = XJ × SCALM

EKV diode parameter calculation methods

The EKV model employs an ACM (Area Calculation Method) parameter to select different methods of calculating the drain and source diode parameters. The method is similar to that employed by HSPICE.

ACM=0 specifies the original SPICE method.

ACM=1 specifies the original ASPEC method.

ACM=2 specifies an improved HSPICE method, which is based on a model similar to the ASPEC method.

ACM=3 specifies a further HSPICE refinement that deals with capacitances of shared sources and drains and gate edge source/drain-to-bulk periphery capacitance and facilitates the modeling of stacked devices.

If the ACM model parameter is not set, the method defaults to the ACM=0 SPICE model.

ACM=0 and ACM=1 models do not use HDIF. ACM=0 does not use LDIF.

The geometric element parameters AD, AS, PD, and PS are not used for the ACM=1 model.

ACM=0 SPICE style diodes

Effective Areas and Peripheries

$$A_{\text{Deff}} = M \cdot A_D \cdot WMLT^2 \cdot SCALE^2$$

$$A_{\text{Seff}} = M \cdot A_S \cdot WMLT^2 \cdot SCALE^2$$

$$P_{\text{Deff}} = M \cdot P_D \cdot WMLT \cdot SCALE$$

$$P_{\text{Seff}} = M \cdot P_S \cdot WMLT \cdot SCALE$$

Source Diode Saturation Current

$$\text{val} = JS_{\text{scaled}} \cdot A_{\text{Seff}} + JSW_{\text{scaled}} \cdot P_{\text{Seff}}$$

If $\text{val} > 0$ then,

$$\text{isbs} = \text{val}$$

Otherwise,

$$\text{isbs} = M \cdot IS$$

Drain Diode Saturation Current

$$\text{val} = JS_{\text{scaled}} \cdot A_{\text{Deff}} + JSW_{\text{scaled}} \cdot P_{\text{Deff}}$$

If $\text{val} > 0$ then,

$$\text{isbd} = \text{val}$$

Else

$$\text{isbd} = M \cdot IS$$

Source Resistance

$$\text{val} = NRS \cdot RSH$$

If $\text{val} > 0$ then,

$$R_{\text{Seff}} = (\text{val} + RSC) / M$$

Else

$$R_{\text{Seff}} = (RS + RSC) / M$$

Drain Resistance

$$\text{val} = NRD \cdot RSH$$

If $\text{val} > 0$ then,

$$R_{\text{Deff}} = (\text{val} + RDC) / M$$

Else

$$R_{\text{Deff}} = (RD + RDC) / M$$

ACM=1 ASPEC style diodes

When ACM=1 the ASPEC method is used. The parameters AD, PD, AS, and PS are not used. The units JS and CJ differ from the (ACM=0) SPICE case.

Effective Areas and Peripheries

$$W_{\text{eff}} = W_{\text{eff}} \cdot M \cdot (W_{\text{scaled}} \cdot W_{\text{MLT}} + XW_{\text{scaled}})$$

$$A_{\text{Deff}} = A_{\text{Seff}} = W_{\text{eff}} \cdot W_{\text{MLT}}^2$$

$$P_{\text{Deff}} = P_{\text{Seff}} = W_{\text{eff}}$$

Source Diode Saturation Current

$$\text{val} = JS_{\text{scaled}} \cdot A_{\text{Seff}} + JSW_{\text{scaled}} \cdot P_{\text{Seff}}$$

If $\text{val} > 0$ then,

$$isbs = \text{val}$$

Otherwise,

$$isbs = M \cdot IS$$

Drain Diode Saturation Current

$$\text{val} = JS_{\text{scaled}} \cdot A_{\text{Deff}} + JSW_{\text{scaled}} \cdot P_{\text{Deff}}$$

If $\text{val} > 0$ then,

$$isbd = \text{val}$$

Else

$$isbd = M \cdot IS$$

Source Resistance

If UPDATE=0

$$R_{\text{Seff}} = RS \cdot (LD_{\text{scaled}} + LDIF_{\text{scaled}}) / W_{\text{eff}} + (NRS \cdot RSH + RSC) / M$$

Else if UPDATE >= 1 and LDIF=0 then

$$R_{\text{Seff}} = (RS + NRS \cdot RSH + RSC) / M$$

Else

$$R_{\text{Seff}} = 0$$

Drain Resistance

If UPDATE=0

$$R_{\text{Deff}} = RD \cdot (LD_{\text{scaled}} + LDIF_{\text{scaled}}) / W_{\text{eff}} + (NRD \cdot RSH + RDC) / M$$

Else if UPDATE >= 1 and LDIF=0 then

$$R_{\text{Deff}} = (RD + NRD \cdot RSH + RDC) / M$$

Else

$$R_{\text{Deff}} = 0$$

ACM=2 HSPICE™ style diodes

This method uses a fold-back calculation similar to the ASPEC method, retaining full model-parameter compatibility with the SPICE procedure. It also supports both lightly and heavily doped diffusions (by setting the LD, LDIF, and HDIF parameters). The units of JS, JSW, CJ, and CJSW used in SPICE are preserved, permitting full compatibility. ACM=2 automatically generates more reasonable diode parameter values than those for ACM=1. The ACM=2 geometry can be generated one of two ways:

Device parameters: AD, AS, PD, and PS can be used for parasitic generation when specified for the device. Default option values for these parameters are not applicable.

If the diode is to be suppressed, set IS=0, AD=0, and AS=0.

The source diode can be suppressed if AS=0 is set in the element and IS=0 is set in the model, a useful setting for shared contacts.

Effective Areas and Peripheries

If AD is not specified then

$$A_{\text{Deff}} = 2 \cdot HDIF_{\text{eff}} \cdot W_{\text{eff}}$$

Else

$$A_{\text{Deff}} = M \cdot AD \cdot WMLT^2 \cdot SCALE^2$$

If AS is not specified then

$$A_{\text{Seff}} = 2 \cdot HDIF_{\text{eff}} \cdot W_{\text{eff}}$$

Else

$$A_{\text{Seff}} = M \cdot AS \cdot WMLT^2 \cdot SCALE^2$$

If PD is not specified then,

$$P_{\text{Deff}} = 4 \cdot HDIF_{\text{eff}} + 2 \cdot W_{\text{eff}}$$

Else

$$P_{\text{Deff}} = M \cdot PD \cdot WMLT \cdot SCALE$$

If PS is not specified then,

$$P_{\text{Seff}} = 4 \cdot HDIF_{\text{eff}} + 2 \cdot W_{\text{eff}}$$

Else

$$P_{\text{Seff}} = M \cdot PS \cdot WMLT \cdot SCALE$$

ACM=2 HSPICE™ style diodes

Where the terms are defined as follows:

$$W_{\text{eff}} = M \cdot (W_{\text{scaled}} \cdot W_{\text{MLT}} + XW_{\text{scaled}})$$

$$HDIF_{\text{scaled}} = HDIF \cdot W_{\text{MLT}} \cdot SCALM$$

$$HDIF_{\text{eff}} = HDIF_{\text{scaled}}$$

Source Diode Saturation Current

$$\text{val} = JS_{\text{scaled}} \cdot A_{\text{Seff}} + JSW_{\text{scaled}} \cdot P_{\text{Seff}}$$

If $\text{val} > 0$ then,

$$isbs = \text{val}$$

Otherwise,

$$isbs = M \cdot IS$$

Drain Diode Saturation Current

$$\text{val} = JS_{\text{scaled}} \cdot A_{\text{Deff}} + JSW_{\text{scaled}} \cdot P_{\text{Deff}}$$

If $\text{val} > 0$ then,

$$isbd = \text{val}$$

Else

$$isbd = M \cdot IS$$

Source Resistance

If NRS is specified

$$R_{\text{Seff}} = RS \cdot (LD_{\text{scaled}} + LDIF_{\text{scaled}}) / W_{\text{eff}} + (NRS \cdot RSH + RSC) / M$$

Else

$$R_{\text{Seff}} = RSC / M + (HDIF_{\text{eff}} \cdot RSH + (LD_{\text{scaled}} \cdot LDIF_{\text{scaled}}) \cdot RS) / W_{\text{eff}}$$

Drain Resistance

If NRD is specified

$$R_{\text{Deff}} = RD \cdot (LD_{\text{scaled}} + LDIF_{\text{scaled}}) / W_{\text{eff}} + (NRD \cdot RSH + RDC) / M$$

Else

$$R_{\text{Deff}} = RDC / M + (HDIF_{\text{eff}} \cdot RSH + (LD_{\text{scaled}} \cdot LDIF_{\text{scaled}}) \cdot RD) / W_{\text{eff}}$$

ACM=3 Improved HSPICE™ style diodes

The ACM=3 method is designed to model stacked devices properly. The CJGATE model parameter separately models drain and source periphery capacitances along the gate edge, so PD and PS calculations do not include the gate periphery length. CJGATE defaults to CJSW, which, in turn, defaults to 0.

The AD, AS, PD, PS calculations depend on the layout of the device, which is determined by the value of device parameter GEO (specified in the Attribute dialog box or in a SPICE file, on an element line). It can have the following values:

GEO=0 (Default) Neither drain nor source is shared with another device.

GEO=1 Drain is shared with another device.

GEO=2 Source is shared with another device.

GEO=3 Both drain and source are shared with another device.

Effective Areas and Peripheries

If AD is not specified then

For GEO = 0 or 2: $A_{Deff} = 2 \cdot HDIF_{eff} \cdot W_{eff}$

For GEO = 1 or 3: $A_{Deff} = HDIF_{eff} \cdot W_{eff}$

Else

$A_{Deff} = M \cdot AD \cdot WMLT^2 \cdot SCALE^2$

If AS is not specified then

For GEO = 0 or 1: $A_{Seff} = 2 \cdot HDIF_{eff} \cdot W_{eff}$

For GEO = 2 or 3: $A_{Seff} = HDIF_{eff} \cdot W_{eff}$

Else

$A_{Seff} = M \cdot AS \cdot WMLT^2 \cdot SCALE^2$

If PD is not specified, then,

For GEO = 0 or 2: $P_{Deff} = 4 \cdot HDIF_{eff} + W_{eff}$

For GEO = 1 or 3: $P_{Deff} = 2 \cdot HDIF_{eff}$

Else

$P_{Deff} = M \cdot PD \cdot WMLT \cdot SCALE$

If PS is not specified, then,

For GEO = 0 or 1: $P_{Seff} = 4 \cdot HDIF_{eff} + W_{eff}$

For GEO = 2 or 3: $P_{Seff} = 2 \cdot HDIF_{eff}$

Else

$P_{Seff} = M \cdot PS \cdot WMLT \cdot SCALE$

W_{eff} and HDIF_{eff} are calculated as follows:

$$\begin{aligned}W_{\text{eff}} &= M \cdot (W_{\text{scaled}} \cdot W_{\text{MLT}} + XW_{\text{scaled}}) \\HDIF_{\text{scaled}} &= HDIF \cdot SCALM \\HDIF_{\text{eff}} &= HDIF_{\text{scaled}} \cdot W_{\text{MLT}}\end{aligned}$$

Effective Saturation Current Calculations

(Same as ACM=2)

Source Diode Saturation Current

$$\text{val} = JS_{\text{scaled}} \cdot A_{\text{Seff}} + JSW_{\text{scaled}} \cdot P_{\text{Seff}}$$

If val > 0 then,

$$is_{\text{bs}} = \text{val}$$

Otherwise,

$$is_{\text{bs}} = M \cdot IS$$

Drain Diode Saturation Current

$$\text{val} = JS_{\text{scaled}} \cdot A_{\text{Deff}} + JSW_{\text{scaled}} \cdot P_{\text{Deff}}$$

If val > 0 then,

$$is_{\text{bd}} = \text{val}$$

Else

$$is_{\text{bd}} = M \cdot IS$$

Effective Drain and Source Resistances

(Same as ACM=2)

Source Resistance

If NRS is specified

$$RS_{\text{eff}} = RS \cdot (LD_{\text{scaled}} + LDIF_{\text{scaled}}) / W_{\text{eff}} + (NRS \cdot RSH + RSC) / M$$

Else

$$RS_{\text{eff}} = RSC / M + (HDIF_{\text{eff}} \cdot RSH + (LD_{\text{scaled}} \cdot LDIF_{\text{scaled}}) \cdot RS) / W_{\text{eff}}$$

Drain Resistance

If NRD is specified

$$RD_{\text{eff}} = RD \cdot (LD_{\text{scaled}} + LDIF_{\text{scaled}}) / W_{\text{eff}} + (NRD \cdot RSH + RDC) / M$$

Else

$$RD_{\text{eff}} = RDC / M + (HDIF_{\text{eff}} \cdot RSH + (LD_{\text{scaled}} \cdot LDIF_{\text{scaled}}) \cdot RD) / W_{\text{eff}}$$

Noise models

The MOSFET noise model described below is used for Level 1, 2, 3, 4, 5 and EKV models.

It is also used for BSIM3 (Level 8) and BSIM4 (Level 14) when NLEV is defined. If NLEV is undefined, the native Berkeley BSIM3 and BSIM4 noise models are used.

Pin resistance thermal noise terms

$$I_{rg}^2 = 4 \cdot k \cdot T / R_G$$

$$I_{rd}^2 = 4 \cdot k \cdot T / R_D$$

$$I_{rs}^2 = 4 \cdot k \cdot T / R_S$$

$$I_{rb}^2 = 4 \cdot k \cdot T / R_B$$

Channel and shot flicker noise terms

$$I_{channel}^2 = I_{shot}^2 + I_{flicker}^2$$

Intrinsic flicker noise:

$$\text{If NLEV} = 0 \quad I_{flicker}^2 = K_F \cdot I_{drain}^{AF} / (COX \cdot L_{eff}^2 \cdot f)$$

$$\text{If NLEV} = 1 \quad I_{flicker}^2 = K_F \cdot I_{drain}^{AF} / (COX \cdot W_{eff} \cdot L_{eff} \cdot f)$$

$$\text{If NLEV} = 2 \text{ or } 3 \quad I_{flicker}^2 = K_F \cdot G_m^{AF} / (COX \cdot W_{eff} \cdot L_{eff} \cdot f^{AF})$$

Intrinsic shot noise:

If NLEV < 3 then

$$I_{shot}^2 = (8/3) \cdot k \cdot T \cdot g_m$$

If NLEV = 3 then

$$I_{shot}^2 = (8/3) \cdot k \cdot T \cdot g_m \cdot GDSNOI \cdot \beta \cdot (V_{gs} - V_{th}) \cdot (1 + a + a^2) / (1 + a)$$

where $a = 1 - V_{ds}/V_{dsat}$ if $V_{ds} \leq V_{dsat}$ (linear region) and $a = 0$ elsewhere.

Short-distance matching for EKV

The EKV model provides the short-distance matching parameters AVTO for threshold voltage, AGAMMA for gamma, and AKP for KP. The parameters are calculated as follows:

$$V_{TH} = V_{TH} + AVTO / \text{SQRT}(W_{eff} * L_{eff})$$

$$GAMMA = GAMMA + AGAMMA / \text{SQRT}(W_{eff} * L_{eff})$$

$$K_P = K_P + AKP / \text{SQRT}(W_{eff} * L_{eff})$$

MOSFET Philips Model 11

The Philips Model 11 is a compact MOSFET model, intended for digital, analog, and RF circuit simulation in modern CMOS technologies. Its surface potential formulation assures continuity of derivatives across operating boundaries. The instance format is similar to other MOSFET devices but with fewer parameters. Note that the model includes no source or drain diodes. When needed, these are added using the JUNCAP diode model, usually as a part of a subcircuit which includes the MOSFET.

SPICE format

Syntax for Geometrical and Binning models

M<name> <drain> <gate> <source> <bulk> <model name>
+ [L=<length>] [W=<width>] [M=<no_parallel>]

Syntax for Electrical model

M<name> <drain> <gate> <source> <bulk> <model name>
+ [M=<no_parallel>]

Example of device instance for Geometrical and Binning models

MS 1 2 3 4 NSC L=.25u W=1.2u M=20

Schematic format

PART attribute

<name>

Examples of PART attribute

M1

Syntax for Geometrical and Binning model VALUE attribute

[L=<length>] [W=<width>] [M=<no_parallel>]

Examples of VALUE attribute for Geometrical and Binning models

M=20 L=.4u W=2u

Syntax for Electrical model VALUE attribute

[M=<no_parallel>]

MODEL attribute

<model name>

Examples of MODEL attribute IRF350

$\langle width \rangle$ and $\langle length \rangle$ are the drawn device dimensions, before side diffusion, in meters. They can be specified as device attributes or as model parameters. Device attributes, if specified, supersede model parameters. If neither model nor device attributes are specified, they assume the default values of $W=10\mu$, $L=2\mu$.

$\langle no_parallel \rangle$ is the number of devices in parallel. If specified, it overrides the MULT model parameter, which multiplies the current-dependent and oxide capacitance model parameters.

The equivalent circuit of the Philips Model 11 is as follows:

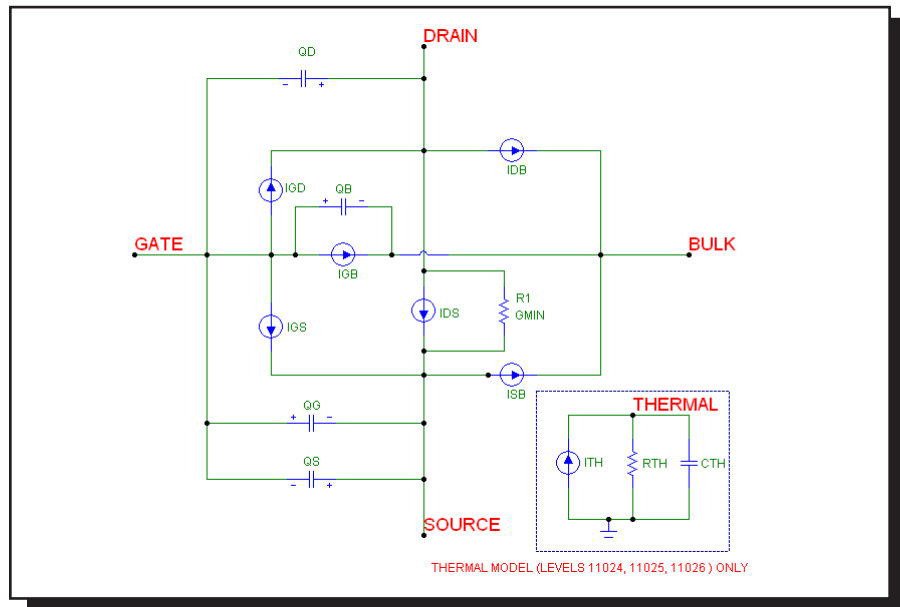


Figure 22-21 Electrical model of Philips Model 11

Model Parameters

There are actually fourteen versions of Model 11 available for use within MC9. The first release (1100) had only two types, electrical and geometrical. Each of the last two versions that Philips has released (1101 and 1102) came in two varieties (thermal and standard) of three variations (electrical, geometric, and binning). Although for legacy purposes each is available for use in MC9, only the latest model, 1102.3, dated March 2006, will be documented in this manual.

First Release 1100

MC9	Philips	Description
11001	1100	Electrical
11002	1100	Geometrical

Second Release 1101

MC9	Philips	Description
11011	1101	Electrical
11012	1101	Geometrical
11013	1101	Binning
11014	1101	Electrical Thermal
11015	1101	Geometrical Thermal
11016	1101	Binning Thermal

Third Release 1102

MC9	Philips	Description
11021	1102	Electrical
11022	1102	Geometrical
11023	1102	Binning
11024	1102	Electrical Thermal
11025	1102	Geometrical Thermal
11026	1102	Binning Thermal

In the parameter tables that follow, the level parameter is shown first and the remainder of the model parameters are listed in alphabetical order. Where the NMOS and PMOS default parameters differ, they are shown as NMOS,PMOS.

Parameters marked with an asterisk are new to the Philips 1102 models and are not available in earlier versions. Default entries specify NMOS, PMOS default values where they differ.

Model parameters for level 11021/11024 (Philips 1102.3 Electrical)

Name	Default	Description
LEVEL	11021 or 11024	Model level. Use 11021 for standard model. Use 11024 for thermal model.
A1	6.0221,6.8583	Factor of the weak-avalanche current
A2	38.017,57.324	Exponent of the weak-avalanche current
A3	0.6407,0.4254	Factor of the drain-source voltage above which weak-avalanche occurs
AGIDL	0	Gain factor for gate-induced leakage current
ALP	25m	Factor of channel length modulation
BACC	48	Probability factor for intrinsic gate tunnelling current in accumulation
BET	1.9215m,381.4u	Gain factor
BGIDL	41	Probability factor for gate-induced drain leakage current at reference temperature
BINV	48,87.5	Probability factor for intrinsic gate tunnelling current in inversion
CGDO	6.392f,6.358f	Oxide capacitance for the gate-drain overlap
CGIDL	0	Factor for the lateral field dependence of the gate-induced leakage current
CGSO	6.392f,6.358f	Oxide capacitance for gate-source overlap
*CS	0	Coefficient of Coulomb scattering
COX	29.8f,27.17f	Oxide capacitance for the intrinsic channel
DTA	0	Temperature offset of the device
ETABET	1.3,0.5	Exponent of the temperature dependence of the gain factor
*ETACS	0	Temperature dependence exponent of CS
ETAMOB	1.4,3	Effective field parameter for dependence on depletion charge
ETAPH	1.35,3.75	THEPH temperature dependence exponent
ETAR	950m,400m	THER temperature dependence exponent
ETASAT	1.04,860m	THESAT temperature dependence exponent
ETASR	650m,500m	THESR temperature dependence exponent
GATENOISE	0	Induced gate thermal noise flag (1 = include)
IGACC	0	Gain factor for intrinsic gate tunnelling current in accumulation
IGINV	0	Gain factor for intrinsic gate tunnelling current in inversion
IGOV	0	Gain factor for Source/Drain overlap tunnelling current
KO	500m	Body-effect factor

Model parameters for level 11021/11024 (Philips 1102.3 Electrical)

Name	Default	Description
KOV	2.5	Body-effect factor for the Source/Drain overlap extensions
KPINV	0	Inverse of body-effect factor of poly-silicon gate
MEXP	5	Smoothing factor
MO	0	Parameter for short-channel subthreshold slope
MULT	1	Number of devices in parallel
NFA	8.32E22,1.9E22	First coefficient of the flicker noise
NFB	25.14E6,5.04E6	Second coefficient of the flicker noise
NFC	0,362.7p	Third coefficient of the flicker noise
NT	.00001624f	Thermal noise coefficient
NU	2	Exponent of field dependence of mobility model
NUEXP	5.25,3.23	Exponent of the temperature dependence of parameter NU
PHIB	950m	Surface potential at the onset of strong inversion
SDIBL	853u,35.51u	Drain-induced barrier lowering parameter
SSF	12m,10m	Static-feedback parameter
STA1	0	A1 temperature coefficient
STBGIDL	-363.8u	BGIDL temperature coefficient
STETAMOB	0	ETAMOB temperature coefficient
STPHIB	-850u	PHIB temperature coefficient
STVFB	500u	VFB temperature coefficient
THEPH	12.9m,1m	Mobility degradation parameter due to phonon scattering
THER	81.2m,79m	Coefficient of series resistance
THER1	0	Numerator of gate voltage dependent part of series resistance
THER2	1	Denominator of gate voltage dependent part of series resistance
THESAT	251.3m,172.8m	Velocity saturation parameter due to optical/ acoustic phonon scattering
THESR	356.2m,730m	Mobility degradation parameter due to surface roughness scattering
THETH	10u,0	Coefficient of self-heating

Model parameters for level 11021/11024 (Philips 1102.3 Electrical)

Name	Default	Description
TOX	3.2n	Thickness of gate oxide layer
TR	21	Reference temperature
VFB	-1.05	Flat-band voltage at reference temperature
VFBOV	0	Flat-band voltage for the Source/Drain overlap extensions
VP	50m	Characteristic voltage of channel-length modulation

For the thermal model (Level = 11024) there are three additional parameters to handle thermal effects.

Name	Default	Description
ATH	0	Thermal resistance temperature coefficient
CTH	3n	Thermal capacitance
RTH	300	Thermal resistance

Model parameters for level 11022/11025 (Philips 1102.3 Geometrical)

Name	Default	Description
LEVEL	11022 or 11025	Model level. Use 11022 for standard model. Use 11025 for thermal model.
A1R	6	Weak-avalanche current factor
A2R	38	Weak-avalanche current exponent
A3R	1	Factor of the drain-source voltage above which weak-avalanche occurs
AGIDLR	0	Gain factor for gate-induced leakage current
ALPEXP	1	Exponent of the length dependence of ALP
ALPR	10m	Factor of the channel length modulation
BACC	48	Probability factor for intrinsic gate tunnelling current in accumulation
BETSQ	370.9u,115u	Gain factor for an infinite square transistor
BGIDL	41	Probability factor for gate-induced drain leakage current at reference temperature
BINV	48,87.5	Probability factor for intrinsic gate tunnelling current in inversion
CGIDL	0	Factor for the lateral field dependence of the gate-induced leakage current
CSEXP	1	Exponent of the length dependence of CS
COL	.32f	Gate overlap capacitance for a channel width of 1 um
*CSR	0	Factor of the Coulomb scattering
DTA	0	Temperature offset of the device
ETABETR	1.3,500m	Gain factor temperature dependence exponent
*ETACS	0	Temperature dependence exponent of CS
ETAMOBR	1.4,3	Effective field parameter for dependence on depletion/inversion charge
ETAPH	1.35,3.75	THEPH temperature dependence exponent
ETAR	950m,400m	THER temperature dependence exponent
ETASAT	1.04,860m	THESAT temperature dependence exponent
ETASR	650m,500m	THESR temperature dependence exponent
FBET1	0	Relative mobility decrease due to first lateral profile
FBET2	0	Relative mobility decrease due to second lateral profile
GATENOISE	0	Induced gate thermal noise flag (1=include)
IGACCR	0	Gain factor for intrinsic gate tunnelling current in accumulation

Model parameters for level 11022/11025 (Philips 1102.3 Geometrical)

Name	Default	Description
IGINVR	0	Gain factor for intrinsic gate tunnelling current in inversion
IGOVR	0	Gain factor for Source/Drain overlap gate tunnelling current
KOR	500m	Body effect coefficient for reference device
KOV	2.5	Body-effect factor for the Source/Drain overlap extensions
KPINV	0	Inverse body-effect factor for the poly gate
L	2u	Drawn channel length in the layout
LAP	40n	Effective channel length reduction per side
LMIN	150n	Minimum effective channel length in technology, used for calculation of smoothing factor m
LP1	800n	Characteristic length of 1'st lateral profile
LP2	800n	Characteristic length of 2'nd lateral profile
LVAR	0	Difference between the actual and the programmed poly-silicon gate length
MOEXP	1.34	Exponent of the length dependence of MO
MOO	0	Short-channel subthreshold slope parameter
MOR	0	Short-channel subthreshold slope per unit length parameter
MULT	1	Number of devices in parallel
NFAR	1.573E23,3.825E24	First coefficient of the flicker noise for a channel area of 1 μm^2
NFBR	4.752G,1.015G	Second coefficient of the flicker noise for a channel area of 1 μm^2
NFCR	0,73n	Third coefficient of the flicker noise for a channel area of 1 μm^2
NT	.00001624f	Thermal noise coefficient
NU	2	Mobility field dependence exponent
NUEXP	5.25,3.23	NU temperature dependence exponent
PHIBR	950m	Surface potential at strong inversion
SDIBLEXP	1.35	SDIBL length dependence exponent
SDIBLO	100u	Drain-induced barrier lowering parameter
SL2KO	0	Second coefficient of the length dependence of KO
SL2PHIB	0	Second coefficient of the length dependence of PHIB
SLA1	0	A1 length dependence coefficient

Model parameters for level 11022/11025 (Philips 1102.3 Geometrical)

Name	Default	Description
SLA2	0	A2 length dependence coefficient
SLA3	0	A3 length dependence coefficient
SLALP	1	ALP length dependence coefficient
*SLCS	0	Coefficient of the length dependence of CS
SLETABET	0	ETABETR length dependence coefficient
SLKO	0	KO length dependence coefficient
SLPHIB	0	PHIB length dependence coefficient
SLSSF	1	SSF length dependence coefficient
SLTHESAT	1	THESAT length dependence coefficient
SSFR	6.25m	Static feedback parameter
STA1	0	A1 temperature coefficient
STBGIDL	-363.8u	BGIDL temperature coefficient
STETAMOB	0	ETAMOB temperature coefficient
STPHIB	-850u	PHIB temperature coefficient
STVFB	500u	VFB temperature coefficient
SWA1	0	A1 width dependence coefficient
SWA2	0	A2 width dependence coefficient
SWA3	0	A3 width dependence coefficient
SWALP	0	ALP width dependence coefficient
*SWCS	0	Coefficient of the width dependence of CS
SWETAMOB	0	ETAMOB width dependence coefficient
SWKO	0	KO width dependence coefficient
SWPHIB	0	PHIB width dependence coefficient
SWSSF	0	SSF width dependence coefficient
SWTHEPH	0	THEPH width dependence coefficient
SWTHER	0	THER width dependence coefficient
SWTHESAT	0	THESAT width dependence coefficient
SWTHESR	0	THESR width dependence coefficient
SWTHETH	0	THETH width dependence coefficient
THEPHR	12.9m,1m	Coefficient of the mobility reduction due to phonon scattering
THER1	0	Numerator of gate voltage dependent part of series resistance
THER2	1	Denominator of gate voltage dependent part of series resistance
THERR	155m,80m	Coefficient of the series resistance
THESATEXP	1	Exponent of length dependence of THESAT
THESATR	500m,200m	Velocity saturation parameter due to optical/acoustic phonon scattering

Model parameters for level 11022/11025 (Philips 1102.3 Geometrical)

Name	Default	Description
THESRR	400m,730m	Coefficient of the mobility reduction due to surface roughness scattering
THETHEXP	1	THETH length dependence exponent
THETHR	1m,500u	Coefficient of self-heating
TOX	3.2n	Thickness of gate oxide layer
TR	21	Reference temperature
VFB	-1.05	Flat-band voltage at reference temperature
VFBOV	0	Flat-band voltage for the Source/Drain overlap extensions
VP	50m	Characteristic voltage of channel-length modulation
W	10u	Drawn channel width in the layout
WOT	0	Effective channel width reduction per side
WVAR	0	Difference between the actual and the programmed field-oxide opening

For the thermal model (Level = 11025) there are three additional parameters to handle thermal effects.

Name	Default	Description
ATH	0	Thermal resistance temperature coefficient
CTH	3n	Thermal capacitance
RTH	300	Thermal resistance

Model parameters for level 11023/11026 (Philips 1102.3 Binning)

Name	Default	Description
LEVEL	11023 or 11026	Model level. Use 11023 for standard model. Use 11026 for thermal model.
DTA	0	Temperature offset of the device
GATENOISE	0	Induced gate thermal noise flag
KOV	2.5	Body-effect factor for the Source/Drain overlap extensions
KPINV	0	Inverse of body-effect factor of the poly-silicon gate
L	2u	Drawn channel length in the layout.
LAP	40n	Effective channel length reduction per side
LVAR	0	Difference between the actual and the programmed poly-silicon gate length
MULT	1	Number of devices in parallel
NT	.00001624f	Thermal noise coefficient
NU	2	Mobility model field dependence exponent

Coefficients of length dependence

Name	Default	Parameter affected
PLA1	0	A1
PLA2	0	A2
PLA3	0	A3
PLAGIDL	0	AGIDL
PLALP	0	ALP
PLBACC	0	BACC
PLBET	0	BET
PLBGIDL	0	BGIDL
PLBINV	0	BINV
PLCGDO	0	CGDO
PLCGIDL	0	CGIDL
PLCGSO	0	CGSO
PLCOX	0	COX
PLCS	0	CS
PLETAMOB	0	ETAMOB
PLIGACC	0	IGACC
PLIGINV	0	IGINV
PLIGOV	0	IGOV
PLKO	0	KO
PLMEXP	0	MEXP
PLMO	0	MO

Model parameters for level 11023/11026 (Philips 1102.3 Binning)

Coefficients of length dependence

Name	Default	Parameter affected
PLNFA	0	NFA
PLNFB	0	NFB
PLNFC	0	NFC
PLPHIB	0	PHIB
PLSDIBL	0	SDIBL
PLSSF	0	SSF
PLTA1	0	STA1
PLTBGIDL	0	STBGIDL
PLTETABET	0	ETABET
*PLTETACS	0	ETACS
PLTETAMOB	0	STETAMOB
PLTETAPH	0	ETAPH
PLTETAR	0	ETAR
PLTETASAT	0	ETASAT
PLTETASR	0	ETASR
PLTHEPH	0	THEPH
PLTHER	0	THER
PLTHESAT	0	THESAT
PLTHESR	0	THESR
PLTHETH	0	THETH
PLTNUEXP	0	NUEXP
PLTPHIB	0	STPHIB
PLTVFB	0	STVFB

Coefficients of length*width product dependence

Name	Default	Parameter affected
PLWA1	0	A1
PLWA2	0	A2
PLWA3	0	A3
PLWAGIDL	0	AGIDL
PLWALP	0	ALP
PLWBACC	0	BACC
PLWBET	0	BET
PLWBGIDL	0	BGIDL
PLWBINV	0	BINV
PLWCGDO	0	CGDO
PLWCGIDL	0	CGIDL
PLWCGSO	0	CGSO

Model parameters for level 11023/11026 (Philips 1102.3 Binning)

Coefficients of length*width product dependence

Name	Default	Parameter affected
PLWCOX	0	COX
*PLWCS	0	CS
PLWETAMOB	0	ETAMOB
PLWIGACC	0	IGACC
PLWIGINV	0	IGINV
PLWIGOV	0	IGOV
PLWKO	0	KO
PLWMEXP	0	MEXP
PLWMO	0	MO
PLWNFA	0	NFA
PLWNFB	0	NFB
PLWNFC	0	NFC
PLWPHIB	0	PHIB
PLWSDIBL	0	SDIBL
PLWSSF	0	SSF
PLWTA1	0	STA1
PLWTBGIDL	0	STBGIDL
PLWTETABET	0	ETABET
*PLWTETACS	0	ETACS
PLWTETAMOB	0	STETAMOB
PLWTETAPH	0	ETAPH
PLWTETAR	0	ETAR
PLWTETASAT	0	ETASAT
PLWTETASR	0	ETASR
PLWTHEPH	0	THEPH
PLWThER	0	THER
PLWThESAT	0	ThESAT
PLWThESR	0	ThESR
PLWThETH	0	ThETH
PLWTNUEXP	0	NUEXP
PLWTPHIB	0	STPHIB
PLWTVFB	0	STVFB

Geometry independent values

Name	Default	Value
POA1	6.022,6.858	A1
POA2	38.02,57.32	A2
POA3	640.7m,425.4m	A3

Model parameters for level 11023/11026 (Philips 1102.3 Binning)

Geometry independent values

Name	Default	Value
POAGIDL	0	AGIDL
POALP	25m	ALP
POBACC	48	BACC
POBET	1.922m,381.4u	BET
POBGIDL	41	BGIDL
POBINV	48,87.5	BINV
POCGDO	6.392f,6.358f	CGDO
POCGIDL	0	CGIDL
POCGSO	6.392f,6.358f	CGSO
POCOX	29.8f,27.17f	COX
*POCS	0	CS
POETAMOB	1.4,3	ETAMOB
POIGACC	0	IGACC
POIGINV	0	IGINV
POIGOV	0	IGOV
POKO	500m	KO
POMEXP	200m	MEXP
POMO	0	MO
PONFA	8.323E22,1.9E22	NFA
PONFB	25.14E6,5.043E6	NFB
PONFC	0,362.7p	NFC
POPHIB	950m	PHIB
POSDIBL	853u,35.51u	SDIBL
POSSF	12m,10m	SSF
POTA1	0	STA1
POTBGIDL	-363.8u	STBGIDL
POTETABET	1.3,500m	ETABET
*POTETACS	0	ETACS
POTETAMOB	0	STETAMOB
POTETAPH	1.35,3.75	ETAPH
POTETAR	950m,400m	ETAR
POTETASAT	1.04,860m	ETASAT
POTETASR	650m,500m	ETASR
POTHEPH	12.9m,1m	THEPH
POTHER	81.2m,79m	THER
POTHE SAT	251.3m,172.8m	THESAT
POTHE SR	356.2m,730m	THESR
POTHE TH	10u,0	THETH

Model parameters for level 11023/11026 (Philips 1102.3 Binning)

Geometry independent values

Name	Default	Value
POTNUEXP	5.25,3.23	NUEXP
POTPHIB	-850u	STPHIB
POTVFB	500u	STVFB

Coefficients of width dependence

Name	Default	Parameter affected
PWA1	0	A1
PWA2	0	A2
PWA3	0	A3
PWAGIDL	0	AGIDL
PWALP	0	ALP
PWBACC	0	BACC
PWBET	0	BET
PWBGIDL	0	BGIDL
PWBINV	0	BINV
PWCGDO	0	CGDO
PWCGIDL	0	CGIDL
PWCGSO	0	CGSO
PWCOX	0	COX
*PWCS	0	CS
PWETAMOB	0	ETAMOB
PWIGACC	0	IGACC
PWIGINV	0	IGINV
PWIGOV	0	IGOV
PWKO	0	KO
PWMEXP	0	MEXP
PWMO	0	MO
PWNFA	0	NFA
PWNFB	0	NFB
PWNFC	0	NFC
PWPHIB	0	PHIB
PWSDIBL	0	SDIBL
PWSSF	0	SSF
PWTA1	0	STA1
PWTBGIDL	0	STBGIDL
PWTETABET	0	ETABET
*PWTETACS	0	ETACS
PWTETAMOB	0	STETAMOB

Model parameters for level 11023/11026 (Philips 1102.3 Binning)

Coefficients of width dependence

Name	Default	Parameter affected
PWTETAPH	0	ETAPH
PWTETAR	0	ETAR
PWTETASAT	0	ETASAT
PWTETASR	0	ETASR
PWTHEPH	0	THEPH
PWThER	0	THER
PWThESAT	0	ThESAT
PWThESR	0	ThESR
PWThETH	0	ThETH
PWTNUEXP	0	NUEXP
PWTPHIB	0	STPHIB
PWTVFB	0	STVFB

Remaining parameters

Name	Default	Description
THER1	0	Numerator of gate voltage dependent part of series resistance
THER2	1	Denominator of gate voltage dependent part of series resistance
TOX	3.2n	Thickness of gate oxide layer
TR	21	Reference temperature
VFB	-1.05	Flat-band voltage at reference temperature
VFBOV	0	Flat-band voltage for the Source/Drain overlap extensions
VP	50m	Characteristic voltage of channel-length modulation
W	10u	Drawn channel width in the layout.
WOT	0	Effective channel width reduction per side
WVAR	0	Difference between the actual and the programmed field-oxide opening

For the thermal model (Level = 11026) there are three additional parameters to handle thermal effects.

Name	Default	Description
ATH	0	Thermal resistance temperature coefficient
CTH	3n	Thermal capacitance
RTH	300	Thermal resistance

MOSFET Philips Model 20

The Philips Model 20 is an asymmetrical, surface-potential-based LDMOS model, that describes the transition from weak to strong inversion in the channel region, as well as from accumulation to depletion in the drift region. It provides a good physical description of effects important for LDMOS devices, such as weak and strong inversion in the channel region, accumulation and depletion in the drift region, mobility reduction in both the channel and the drift region, velocity saturation in the channel region, conductance effects of the channel region (channel length modulation, DIBL and static feedback), and weak avalanche currents in the channel region.

Note that the model includes no source or drain diodes. When needed, these are added using the JUNCAP diode model, usually as a part of a subcircuit which includes the MOSFET.

SPICE format

Syntax for Electrical model

M<name> <drain> <gate> <source> <bulk> <model name>
+ [M=<no_parallel>]

Syntax for Geometrical model

M<name> <drain> <gate> <source> <bulk> <model name>
+ [W=<channel_width>] [WD=<drift_width>] [M=<no_parallel>]

Example of device instance for Geometrical model

MS 1 2 3 4 NSC W=20u WD=25u M=200

Schematic format

PART attribute

<name>

Examples of PART attribute

M1

Syntax for Geometrical VALUE attribute

[W=<channel_width>] [WD=<drift_width>] [M=<no_parallel>]

Examples of VALUE attribute for Geometrical model

W=30u WD=15u M=5

Syntax for Electrical model VALUE attribute

[M=<no_parallel>]

MODEL attribute

<model name>

Examples of MODEL attribute

MODS12

In the Geometrical model, <channel_width> and <drift_width> are the drawn widths of the channel and drift region, before side diffusion, in meters. They can be specified as device attributes or as model parameters. Device attributes, if specified, supersede model parameters. If neither model nor device attributes are specified, they assume the default values of W=20u, WD=20u.

<no_parallel> is the number of devices in parallel. If specified, it overrides the MULT model parameter, which multiplies the current-dependent and oxide capacitance model parameters.

There are two versions of Model 20 available for use within MC9, the Electrical and the Geometric. The latest model, dated March 2006, will be documented here.

MC9 Level	Philips Level	Description
20011	20.01	MOS20 Electrical
20012	20.01	MOS20 Geometrical
20014	20.01	MOS20 Electrical Thermal
20015	20.01	MOS20 Geometrical Thermal
20021	20.02	MOS20 Electrical
20022	20.02	MOS20 Geometrical

In the table below, the model parameters are listed in alphabetical order.

Parameters marked with an asterisk are new to the Philips 20.02 models and are not available in the Philips 20.01 models.

Parameters MOSFET level 20011/20021/20014/ (Philips 20 Electrical)

Name	Default	Description
A1	15	Factor of weak avalanche current, at TREF
A2	73	Exponent of weak avalanche current
A3	800m	Factor of the drain-source voltage above which weak avalanche occurs
ALP	2m	Factor for channel length modulation
BET	1.4m	Gain factor of channel region at TREF
BETACC	1.4m	Gain factor of drift region for accumulation in the channel region, at TREF
CGDO	0	Gate-to-drain overlap capacitance
CGSO	0	Gate-to-source overlap capacitance
COX	15f	Oxide capacitance for intrinsic channel region
COXD	15f	Oxide capacitance for intrinsic drift region
DTA	0	Temperature offset to ambient temperature
ETABET	1.6	Temperature scaling exponent for BET
ETABETACC	1.5	Temperature scaling exponent for BETACC
ETARD	1.5	Temperature scaling exponent for RD
ETATHE3	1	Temperature scaling exponent for THE3
*ETATHE3D	1	Temperature scaling exponent for THE3D
KO	1.6	Body factor of the channel region
KOD	1	Body factor of the drift region
LAMD	200m	Ratio of the depletion layer thickness to the effective thickness of the drift region at VSB= 0
MEXP	2	Smoothing factor from linear to saturation
*MEXPD	2	Smoothing factor from linear to quasi-saturation
MO	0	Parameter for short-channel sub-threshold slope
MSDIBL	3	Exponent for the drain-induced barrier lowering dependence on the backgate bias
MULT	1	Number of devices in parallel
NFA	7E23	First coefficient of flicker noise
NFB	10MEG	Second coefficient of flicker noise
NFC	0	Third coefficient of flicker noise
NT	.00001645f	Coefficient of thermal noise, at TREF
PHIB	860m	Surface potential at the onset of strong inversion in the channel region, at TREF
PHIBD	780m	Surface potential at the onset of strong inversion in the drift region, at TREF

Parameters MOSFET level 20011/20021/20014/ (Philips 20 Electrical)

Name	Default	Description
RD	200	On-resistance of the drift region, at TREF
SDIBL	1m	Factor for drain-induced barrier lowering
SSF	1p	Factor for static feedback
STA1	0	Temperature scaling coefficient for A1
STPHIB	-1.2m	Temperature scaling coefficient for PHIB
STPHIBD	-1.2m	Temperature scaling coefficient for PHIBD
STVFB	0	Temperature scaling coefficient for VFB
STVFBD	0	Temperature scaling coefficient for the flatband voltage of the drift region
THE1	90m	Mobility reduction coefficient in the channel region due to vertical electrical field caused by strong inversion
THE1ACC	20m	Mobility reduction coefficient in the drift region due to the vertical electrical field caused by accumulation
THE2	30m	Mobility reduction coefficient for $V_{SB} > 0$ in the channel region due to the vertical electrical field caused by depletion
THE3	400m	Mobility reduction coefficient in the channel region due to the horizontal electrical field caused by velocity saturation
*THE3D	0	Mobility reduction coefficient in the drift region due to the horizontal electrical field caused by velocity saturation
TOX	38n	Thickness of the oxide above the channel region
TREF	25	Reference temperature
VFB	-1	Flatband voltage of the channel region, at TREF
VFBD	-100m	Flatband voltage of the drift region, at TREF
VP	50m	Characteristic voltage of channel length modulation

For the electrical thermal model (Level = 20014) only there are three additional parameters to handle thermal effects.

Name	Default	Description
ATH	0	Thermal resistance temperature coefficient
CTH	3n	Thermal capacitance
RTH	300	Thermal resistance

Parameters MOSFET level 20012/20022/20015 (Philips 20 Geometrical)

Name	Default	Description
A1R	15	Factor of weak avalanche current of an infinitely wide transistor, at TREF
A2	73	Exponent of weak avalanche current
A3	800m	Factor of the drain-source voltage above which weak avalanche occurs
ALP	2m	Factor for channel length modulation
BETACCW	70u	Gain factor of 1 um wide drift region at TREF
BETW	70u	Gain factor of 1 um wide channel at TREF
CGDOW	0	Gate-to-drain overlap capacitance for a drift region of 1 um width
CGSOW	0	Gate-to-source overlap capacitance for a channel region of 1 um width
COXDW	.75f	Oxide capacitance for an intrinsic drift region of 1um width
COXW	.75f	Oxide capacitance for an intrinsic channel region of 1um width
DTA	0	Temperature offset to the ambient temperature
ETABET	1.6	Temperature scaling exponent for BET
ETABETACC	1.5	Temperature scaling exponent for BETACC
ETARD	1.5	Temperature scaling exponent for RD
ETATHE3	1	Temperature scaling exponent for THE3
*ETATHE3D	1	Temperature scaling exponent for THE3D
KODR	1	Drift region body factor with W = infinite
KOR	1.6	Channel region body factor with W = infinite
LAMD	200m	Quotient of the depletion layer thickness to the effective thickness of the drift region at VSB = 0
MEXP	2	Smoothing factor from linear to saturation
*MEXPD	2	Smoothing factor from linear to quasi-saturation
MO	0	Parameter for short-channel sub-threshold slope
MSDIBL	3	Exponent for the drain-induced barrier lowering dependence on the backgate bias
MULT	1	Number of devices in parallel
NFAW	1.4E25	First coefficient of flicker noise for a channel region of 1 um width
NFBW	200MEG	Second coefficient of flicker noise for a channel region of 1 um width

Parameters MOSFET level 20012/20022/20015 (Philips 20 Geometrical)

Name	Default	Description
NFCW	0	Third coefficient of flicker noise for a channel region of 1 μm width
NT	.00001645f	Coefficient of thermal noise, at TREF
PHIB	860m	Surface potential at the onset of strong inversion in the channel region, at TREF
PHIBD	780m	Surface potential at the onset of strong inversion in the drift region, at TREF
RDW	4K	On-resistance of a 1 μ wide drift region at TREF
SDIBL	1m	Factor for drain-induced barrier lowering
SSF	1p	Factor for static feedback
STA1	0	Temperature scaling coefficient for A1
STPHIB	-1.2m	Temperature scaling coefficient for PHIB
STPHIBD	-1.2m	Temperature scaling coefficient for PHIBD
STVFB	0	Temperature scaling coefficient for VFB
STVFBD	0	Temperature scaling coefficient for the flatband voltage of the drift region
SWA1	0	Width scaling coefficient for A1
SWKO	0	Width scaling coefficient for KO
SWKOD	0	Width scaling coefficient for the body factor of the drift region
SWTHE1	0	Width scaling coefficient for THE1
SWTHE2	0	Width scaling coefficient for THE2
SWTHE3	0	Width scaling coefficient for THE3
SWTHE3D	0	Width scaling coefficient for THE3D
THE1ACC	20m	Mobility reduction coefficient in drift region due to vertical electrical field from accumulation
THE1R	90m	Mobility reduction coefficient of infinitely wide transistor, due to vertical strong-inversion field in a channel region
THE2R	30m	Mobility reduction coefficient for $V_{SB} > 0$ of an infinitely wide transistor, due to vertical depletion field in channel region
*THE3DR	400m	Mobility reduction coefficient in the drift region due to the horizontal electrical field caused by velocity saturation
THE3R	400m	Mobility reduction coefficient in channel region of an infinitely wide transistor due to velocity saturation

Parameters MOSFET level 20012/20022/20015 (Philips 20 Geometrical)

Name	Default	Description
TOX	38n	Thickness of the oxide above the channel region
TREF	25	Reference temperature
VFB	-1	Flatband voltage of the channel region, at TREF
VFBD	-100m	Flatband voltage of the drift region, at TREF
VP	50m	Characteristic voltage of channel length modulation
W	20u	Drawn width of the channel region
WD	20u	Drawn width of the drift region
WDVAR	0	Width offset of the drift region
WVAR	0	Width offset of the channel region

For the geometrical thermal model (Level = 20015) only there are three additional parameters to handle thermal effects.

Name	Default	Description
ATH	0	Thermal resistance temperature coefficient
CTH	3n	Thermal capacitance
RTH	300	Thermal resistance

The equivalent circuit of the Philips Model 20 is as follows:

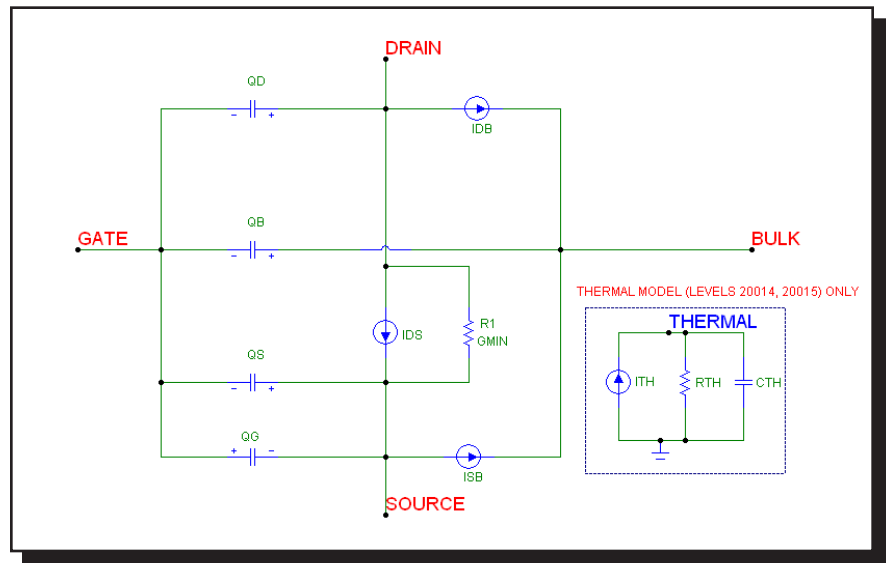


Figure 22-22 Philips Model 20 equivalent circuit

MOSFET Philips Model 31

The Philips Model 31 is a physics based device model suitable for high voltage applications. The model describes the electrical behavior of a junction isolated accumulation / depletion MOSFET. The model is used as the drain extension of high voltage MOS devices, like the Lateral Double-diffused (LDMOS), Vertical Double-diffused (VDMOS), and Extended MOS transistors.

Note that the model includes no source or drain diodes. When needed, these are added using the JUNCAP diode model, usually as a part of a subcircuit which includes the MOSFET.

SPICE format

Syntax

M<name> <drain> <gate> <source> <bulk> <model name>
+ [M=<no_parallel>]

Example of device instance

MS 1 2 3 4 NSC M=200

Schematic format

PART attribute

<name>

Examples of PART attribute

M1

Syntax for VALUE attribute

[M=<no_parallel>]

Examples of VALUE attribute

M=5

MODEL attribute

<model name>

Examples of MODEL attribute

LM1

<no_parallel> is the number of devices in parallel. If specified, it overrides the MULT model parameter, which multiplies the current-dependent and oxide capacitance model parameters.

There are two versions of Model 31 available for use within MC9, one that includes self-heating (thermal) effects and one that does not. The latest model, dated March 2006, will be documented here.

MC9 Level	Philips Level	Description
31001	3100.3	Model 31
31004	3100.3	Model 31 Thermal

The equivalent circuit of the Philips Model 31 is as follows:

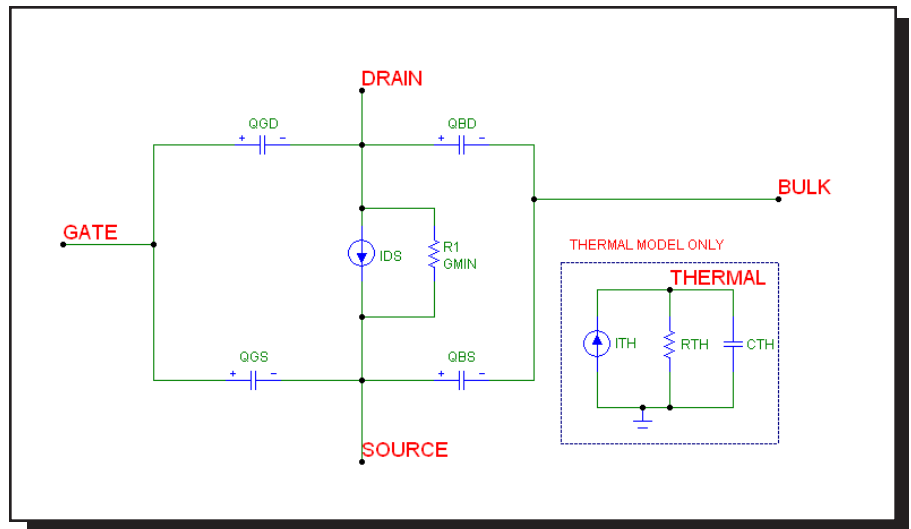


Figure 22-23 Philips Model 31 equivalent circuit

Model parameters for MOSFET level 31001/31004 (Philips Model 31)

In the table below, the model parameters are listed in alphabetical order.

Name	Default	Description
LEVEL	31001 or 31004	Standard model =31001, Thermal model = 31004
ACH	1	Channel resistivity temperature coefficient
ACHMOD	0	Extended temperature scaling flag (0 = Off)
ACHRON	0	Temperature coefficient of ohmic resistance at zero bias
ACHRSAT	0	Temperature coefficient of space charge resistance at zero bias
ACHVSAT	0	Temperature coefficient of critical drain-source voltage for hot carriers
CGATE	1p	Gate capacitance at zero bias
CSUB	500f	Substrate capacitance at zero bias
DCH	1E22	Doping level channel
DSUB	1E21	Doping level substrate
DTA	0	Temperature offset of the device
MULT	1	Number of devices in parallel
PSAT	1	Velocity saturation coefficient
RON	10	Ohmic resistance at zero bias
RSAT	100	Space charge resistance at zero bias
TAUSC	1p	Space charge transit time of the channel
TOX	100n	Gate oxide thickness
TREF	25	Reference temperature
VGAP	1.206	Bandgap voltage channel
VP	10	Pinch off voltage at zero gate and substrate voltages
VSAT	1	Critical drain-source voltage for hot carriers
VSUB	600m	Substrate diffusion voltage

For the thermal model (Level = 31004) there are three additional parameters to handle thermal effects.

Name	Default	Description
ATH	0	Thermal resistance temperature coefficient
CTH	3n	Thermal capacitance
RTH	300	Thermal resistance

MOSFET Philips Model 40

The Philips Model 40 is a physics based model for high voltage applications. The model describes the electrical behavior of an accumulation / depletion type MOSFET in Silicon-on-Insulator (SOI) processes. The model is used as a drain extension of high-voltage MOS devices, like the Lateral Double-diffused MOS (LDMOS), the Vertical Double-diffused MOS (VDMOS), and the Extended MOS transistors.

Note that the model includes no source or drain diodes. When needed, these are added using the JUNCAP diode model, usually as a part of a subcircuit which includes the MOSFET.

SPICE format

Syntax

M<name> <drain> <gate> <source> <bulk> <model name>
+ [M=<no_parallel>]

Example of device instance

MS 1 2 3 4 NSO M=100

Schematic format

PART attribute

<name>

Examples of PART attribute

MS1

Syntax for VALUE attribute

[M=<no_parallel>]

Examples of VALUE attribute

MODEL attribute

<model name>

Examples of MODEL attribute

LM1

<no_parallel> is the number of devices in parallel. If specified, it overrides the MULT model parameter, which multiplies the current-dependent and oxide capacitance model parameters.

There are two versions of Model 40 available for use within MC9, one that includes self-heating (thermal) effects and one that does not. The latest model, dated March 2006, is documented here.

MC9 Level	Philips Level	Description
40001	40.2	Model 40
40004	40.2	Model 40 Thermal

The equivalent circuit of the Philips Model 40 is as follows:

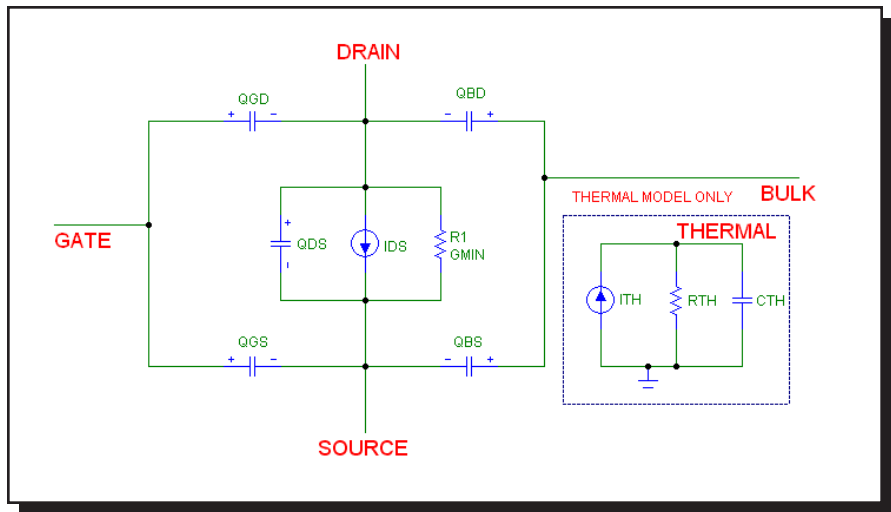


Figure 22-24 Philips Model 40 equivalent circuit

Model parameters for MOSFET level 40001/40004 (Philips Model 40)

In the table below, the model parameters are listed in alphabetical order.

Name	Default	Description
ACH	0	Temperature coefficient resistivity of the channel
ACHMOD	0	Parameter to switch to extended temperature scaling
ACHRON	0	Temperature coefficient of ohmic resistance at zero bias
ACHRSAT	0	Temperature coefficient of space charge resistance at zero bias
ACHVSAT	0	Temperature coefficient of critical drain-source voltage for hot carriers
CBOX	0	Wafer capacitance
CGATE	0	Gate capacitance at zero bias
DCH	1E21	Doping level channel
DTA	0	Temperature offset of the device
MULT	1	Number of devices in parallel
PSAT	1	Velocity saturation coefficient
RON	1	Ohmic resistance at zero bias
RSAT	1	Space charge resistance at zero bias
TAUSC	0	Space charge transit time of the channel
TBOX	-1	Box thickness
TOX	-1	Gate oxide thickness
TREF	25	Reference temperature
VP	-1	Pinch off voltage at zero gate and substrate voltages
VSAT	10	Critical drain-source voltage for hot carriers

For the thermal model (Level = 40004) there are three additional parameters to handle thermal effects.

Name	Default	Description
ATH	0	Thermal resistance temperature coefficient
CTH	3n	Thermal capacitance
RTH	300	Thermal resistance

MOSFET PSP Model

The PSP model is a relatively new compact MOSFET model, jointly developed by Philips Research and Penn State University. It is a surface-potential based MOS model, describing the key physical effects necessary to model modern deep-submicron bulk CMOS technologies. These effects include mobility reduction, velocity saturation, DIBL, gate current, lateral doping gradient effects, and STI stress. The source/drain junction model, called the JUNCAP2 model, is an integrated part of the PSP model.

SPICE format

Syntax of electrical model

```
M<name> <drain> <gate> <source> <bulk> <model name>  
+ [ABSOURCE=<bottom_area_source>]  
+ [ABDRAIN=<bottom_area_drain>]  
+ [LSSOURCE=<sti_edge_source>] [LSDRAIN=<sti_edge_drain>]  
+ [LGSOURCE=<gate_edge_source>] [LGDRAIN=<gate_edge_drain>]  
+ [AD=<drainarea>] [AS=<sourcearea>]  
+ [PD=<drainperiphery>] [PS=<sourceperiphery>]  
+ [MULT=<no_parallel>]  
+ [JW=<jw>]
```

Syntax of geometrical and binning models

```
M<name> <drain> <gate> <source> <bulk> <model name>  
+ [L=<length>] [W=<width>]  
+ [SA=<source_od-poly_distance>] [SB=<drain_od-poly_distance>]  
+ [ABSOURCE=<bottom_area_source>]  
+ [ABDRAIN=<bottom_area_drain>]  
+ [LSSOURCE=<sti_edge_source>] [LSDRAIN=<sti_edge_drain>]  
+ [LGSOURCE=<gate_edge_source>] [LGDRAIN=<gate_edge_drain>]  
+ [AD=<drainarea>] [AS=<sourcearea>]  
+ [PD=<drainperiphery>] [PS=<sourceperiphery>]  
+ [MULT=<no_parallel>]
```

Example of electrical model instance

```
MS 1 2 3 4 NSO ABSOURCE=2.5p ABDRAIN=3p
```

Example of geometrical or binning model instance

```
MS 1 2 3 4 NSO W=.2u L=.09u SA=.12u SB=.12u
```

Schematic format

PART attribute

<name>

Examples of PART attribute

MP1, MX2

Syntax for electrical model VALUE attribute

[ABSOURCE=*<bottom_area_source>*]

[ABDRAIN=*<bottom_area_drain>*]

[LSSOURCE=*<sti_edge_source>*] [LSDRAIN=*<sti_edge_drain>*]

[LGSOURCE=*<gate_edge_source>*] [LGDRAIN=*<gate_edge_drain>*]

[AD=*<drainarea>*] [AS=*<sourcearea>*]

[PD=*<drainperiphery>*] [PS=*<sourceperiphery>*]

[MULT=*<no_parallel>*]

[JW=*<jw>*]

Syntax for geometrical and binning model VALUE attribute

[L=*<l>*] [W=*<w>*]

[SA=*<source_od-poly_distance>*] [SB=*<drain_od-poly_distance>*]

[ABSOURCE=*<bottom_area_source>*]

[ABDRAIN=*<bottom_area_drain>*]

[LSSOURCE=*<sti_edge_source>*] [LSDRAIN=*<sti_edge_drain>*]

[LGSOURCE=*<gate_edge_source>*] [LGDRAIN=*<gate_edge_drain>*]

[AD=*<drainarea>*] [AS=*<sourcearea>*]

[PD=*<drainperiphery>*] [PS=*<sourceperiphery>*]

[MULT=*<no_parallel>*]

Example of VALUE attribute for electrical model

ABSOURCE=5p ABDRAIN=18p LSSOURCE=.2u

Example of VALUE attribute for geometrical or binning model

MULT=10 W=.5u L=.1u SA=.2u SB=.25u

MODEL attribute

<model name>=

Example of MODEL attribute

P102_N

<w> and *<l>* are the drawn device dimensions, before side diffusion, in meters.

<source_od-poly_distance> is the distance between OD-edge and poly at the source side.

<drain_od-poly_distance> is the distance between OD-edge and poly at the drain side.

<bottom_area_source> is the source junction bottom area.

<bottom_area_drain> is the drain junction bottom area.

<sti_edge_source> is the STI-edge part of source junction perimeter.

<sti_edge_drain> is the STI-edge part of drain junction perimeter.

<gate_edge_source> is the gate-edge part of source junction perimeter.

<gate_edge_drain> is the gate-edge part of drain junction perimeter.

<sourcearea> and <drainarea> are the diffusion areas (sq. m).

<sourceperiphery> and <drainperiphery> are the diffusion peripheries (m).

<no_parallel> is the number of devices in parallel. If specified, it overrides the MULT model parameter, which multiplies the current-dependent and oxide capacitance model parameters.

<jw> is the gate-edge length of source/drain junction. If specified, it overrides the JW model parameter.

These device instance parameters can be specified as device attributes or as model parameters. Device attributes, if specified, supersede model parameters.

There are three versions of PSP model available, an electrical model, a geometrical model, and a binning model. Each is based on the Philips model 102, dated July 2006. There is no thermal version of this model.

MC9 Level	Philips Level	Description
102	102.0	PSP electrical
1020	102.0	PSP geometrical
1021	102.0	PSP binning

The equivalent circuit of the PSP model is as follows:

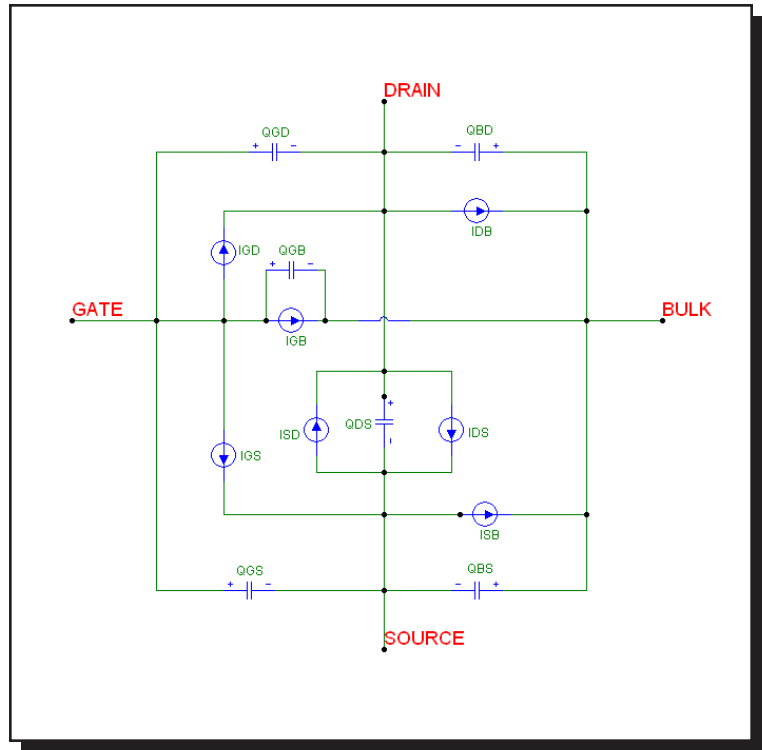


Figure 22-25 PSP model equivalent circuit

In the table below, the Level parameter is shown first and the remainder of the model parameters are listed in alphabetical order.

Model parameters for MOSFET level 102 (PSP Electrical Model)

Name	Default	Description
LEVEL	102	Model level =102
A1	1	Impact-ionization pre-factor
A2	10	Impact-ionization exponent at TR
A3	1	Saturation voltage dependence of impact ionization
A4	0	Back-bias dependence of impact-ionization
ABDRAIN	1p	Bottom area of drain junction
ABSOURCE	1p	Bottom area of source junction
AD	1p	Bottom area of drain junction
AGIDL	0	GIDL pre-factor

Model parameters for MOSFET level 102 (PSP Electrical Model)

Name	Default	Description
ALP	10m	CLM pre-factor
ALP1	0	CLM enhancement factor above threshold
ALP2	0	CLM enhancement factor below threshold
AS	1p	Bottom area of source junction
AX	3	Linear/saturation transition factor
BETN	70m	Channel aspect ratio times zero-field mobility
BGIDL	41	GIDL probability factor at TR
CBBTBOT	1p	Band-to-band tunneling prefactor of bottom part
CBBTGAT	.001f	Band-to-band tunneling prefactor of gate-edge component
CBBTSTI	.001f	Band-to-band tunneling prefactor of STI-edge component
CF	0	DIBL-parameter
CFB	0	Back bias dependence of CF
CFR	0	Outer fringe capacitance
CGBOV	0	Oxide capacitance for gate-bulk overlap
CGIDL	0	Back-bias dependence of GIDL
CGOV	1f	Oxide capacitance for gate-drain/source overlap
CHIB	3.1	Tunneling barrier height
CJORBOT	1m	Zero-bias capacitance per unit-of-area of bottom component
CJORGAT	1n	Zero-bias capacitance per unit-of-length of gate-edge component
CJORSTI	1n	Zero-bias capacitance per unit-of-length of STI-edge component
COX	10f	Oxide capacitance for intrinsic channel
CS	0	Coulomb scattering parameter at TR
CSRHBOT	100	Shockley-Read-Hall prefactor of bottom part
GAT	100u	Shockley-Read-Hall prefactor of gate-edge part
CSRHSTI	100u	Shockley-Read-Hall prefactor of STI-edge part
CT	0	Interface states factor
CTATBOT	100	Trap-assisted tunneling prefactor of bottom part
CTATGAT	100u	Trap-assisted tunneling prefactor of gate edge part
CTATSTI	100u	Trap-assisted tunneling prefactor of STI-edge part
DNSUB	0	Effective doping bias-dependence parameter
DPHIB	0	Offset parameter for PHIB
DTA	0	Temperature offset w.r.t. ambient temperature

Model parameters for MOSFET level 102 (PSP Electrical Model)

Name	Default	Description
FBBTRBOT	1G	Normalization field at the reference temperature for band-to-band tunneling of bottom part
FBBTRGAT	1G	Normalization field at the reference temperature for band-to-band tunneling of gate-edge part
FBBTRSTI	1G	Normalization field at the reference temperature for band-to-band tunneling of STI-edge part
FETA	1	Effective field parameter
FNT	1	Thermal noise coefficient
GC2	375m	Gate current slope factor
GC3	63m	Gate current curvature factor
GCO	0	Gate tunneling energy adjustment
IDSATRBOT	1p	Saturation current density at the reference temperature of bottom part
IDSATRGAT	.001f	Saturation current density at the reference temperature of gate-edge part
IDSATRSTI	.001f	Saturation current density at the reference temperature of STI-edge part
IGINV	0	Gate channel current pre-factor
IGOV	0	Gate overlap current pre-factor
IMAX	1K	Maximum current up to which forward current behaves exponentially
JW	1u	Gate-edge length of source/drain junction
LGDRAIN	1u	Gate-edge length of drain junction
LGSOURCE	1u	Gate-edge length of source junction
LSDRAIN	1u	STI-edge length of drain junction
LSSOURCE	1u	STI-edge length of source junction
MEFFTATBOT	250m	Effective mass (in units of m_0) for trap-assisted tunneling of bottom part
MEFFTATGAT	250m	Effective mass (in units of m_0) for trap-assisted tunneling of gate-edge part
MEFFTATSTI	250m	Effective mass (in units of m_0) for trap-assisted tunneling of STI-edge part
MUE	500m	Mobility reduction coefficient at TR
MULT	1	Number of devices in parallel
NEFF	5E23	Effective substrate doping
NFA	8E22	First coefficient of flicker noise
NFB	30MEG	Second coefficient of flicker noise
NFC	0	Third coefficient of flicker noise

Model parameters for MOSFET level 102 (PSP Electrical Model)

Name	Default	Description
NOV	5E25	Effective doping of overlap region
NP	1E26	Gate poly-silicon doping
NSLP	50m	Effective doping bias-dependence parameter
PBOT	500m	Grading coefficient of bottom component
PBRBOT	4	Breakdown onset tuning parameter of bottom part
PBRGAT	4	Breakdown onset tuning parameter of gate-edge part
PBRSTI	4	Breakdown onset tuning parameter of STI-edge part
PD	1u	Perimeter of drain junction
PGAT	500m	Grading coefficient of gate-edge part
PHIGBOT	1.16	Zero-temperature bandgap voltage of bottom part
PHIGGAT	1.16	Zero-temperature bandgap voltage of gate-edge part
PHIGSTI	1.16	Zero-temperature bandgap voltage of STI-edge part
PS	1u	Perimeter of source junction
PSTI	500m	Grading coefficient of STI-edge component
QMC	1	Quantum-mechanical correction factor
RS	30	Series resistance at TR
RSB	0	Back-bias dependence of series resistance
RSG	0	Gate-bias dependence of series resistance
STA2	0	Temperature dependence of A2
STBET	1	Temperature dependence of BETN
STBGIDL	0	Temperature dependence of BGIDL
STCS	0	Temperature dependence of CS
STFBBTBOT	-1m	Temperature scaling parameter for band-to-band tunneling of bottom component
STFBBTGAT	-1m	Temperature scaling parameter for band-to-band tunneling of gate-edge component
STFBBTSTI	-1m	Temperature scaling parameter for band-to-band tunneling of STI-edge component
STIG	2	Temperature dependence of IGINV and IGOV
STMUE	0	Temperature dependence of MUE
STRS	1	Temperature dependence of RS
STTHEMU	1.5	Temperature dependence of THEMU
STTHESAT	1	Temperature dependence of THESAT

Model parameters for MOSFET level 102 (PSP Electrical Model)

Name	Default	Description
STVFB	500u	Temperature dependence of VFB
STXCOR	0	Temperature dependence of XCOR
SWGIDL	0	Flag for GIDL current, 0=turn off IGIDL
SWGATE	0	Flag for gate current, 0=turn off IG
SWIMPACT	0	Flag for impact ionization current, 0=turn off II
SWJUNCAP	0	Flag for juncap, 0=turn off juncap
THEMU	1.5	Mobility reduction exponent at TR
THESAT	1	Velocity saturation parameter at TR
THESATB	0	Back-bias dependence of velocity saturation
THESATG	0	Gate-bias dependence of velocity saturation
TOX	2n	Gate oxide thickness
TOXOV	2n	Overlap oxide thickness
TR	21	Nominal (reference) temperature
TRJ	21	Reference temperature
VBIRBOT	1	Built-in voltage at the reference temperature of bottom part
VBIRGAT	1	Built-in voltage at the reference temperature of gate-edge part
VBIRSTI	1	Built-in voltage at the reference temperature of STI-edge part
VBRBOT	10	Breakdown voltage of bottom part
VBRGAT	10	Breakdown voltage of gate-edge part
VBRSTI	10	Breakdown voltage of STI-edge part

Model parameters for MOSFET level 1020 (PSP Geometrical Model)

Name	Default	Description
LEVEL	1020	Model level 1020 for geometrical model
A1L	0	Length dependence of A1
A1O	1	Geometry independent impact-ionization pre-factor
A1W	0	Width dependence of A1
A2O	10	Impact-ionization exponent at TR
A3L	0	Length dependence of A3
A3O	1	Geometry independent saturation-voltage dependence of II
A3W	0	Width dependence of A3
A4L	0	Length dependence of A4
A4O	0	Geometry independent back-bias dependence of II
A4W	0	Width dependence of A4
ABDRAIN	1p	Bottom area of drain junction
ABSOURCE	1p	Bottom area of source junction
AD	1p	Bottom area of drain junction
AGIDLW	0	Width dependence of GIDL pre-factor
ALP1L1	0	Length dependence of CLM enhancement factor above threshold
ALP1L2	0	Second order length dependence of ALP1
ALP1LEXP	500m	Exponent for length dependence of ALP1
ALP1W	0	Width dependence of ALP1
ALP2L1	0	Length dependence of CLM enhancement factor below threshold
ALP2L2	0	Second order length dependence of ALP2
ALP2LEXP	500m	Exponent for length dependence of ALP2
ALP2W	0	Width dependence of ALP2
ALPL	500u	Length dependence of ALP
ALPLEXP	1	Exponent for length dependence of ALP
ALPW	0	Width dependence of ALP
AS	1p	Bottom area of source junction
AXL	400m	Length dependence of AX
AXO	18	Geometry independent linear/saturation transition factor
BETW1	0	First higher-order width scaling coefficient of BETN
BETW2	0	Second higher-order width scaling coefficient of BETN
BGIDLO	41	GIDL probability factor at TR
CBBTBOT	1p	Band-to-band tunneling prefactor of bottom part
CBBTGAT	.001f	Band-to-band tunneling prefactor of gate-edge part

Model parameters for MOSFET level 1020 (PSP Geometrical Model)

Name	Default	Description
CBBTSTI	.001f	Band-to-band tunneling prefactor of STI-edge part
CFBO	0	Back-bias dependence of CF
CFL	0	Length dependence of DIBL-parameter
CFLEXP	2	Exponent for length dependence of CF
CFRW	0	Outer fringe capacitance for 1 um wide channel
CFW	0	Width dependence of CF
CGBOVL	0	Gate-bulk overlap oxide capacitance per sq. micron
CGIDLO	0	Back-bias dependence of GIDL
CHIBO	3.1	Tunneling barrier height
CJORBOT	1m	Zero-bias capacitance per unit area of bottom part
CJORGAT	1n	Zero-bias capacitance per unit length of gate-edge part
CJORSTI	1n	Zero-bias capacitance per unit length of STI-edge part
CSL	0	Length dependence of CS
CSLEXP	0	Exponent for length dependence of CS
CSLW	0	Area dependence of CS
CSO	0	Geometry independent coulomb scattering parameter at TR
CSRHBOT	100	Shockley-Read-Hall prefactor of bottom component
CSRHGAT	100u	Shockley-Read-Hall prefactor of gate-edge part
CSRHSTI	100u	Shockley-Read-Hall prefactor of STI-edge part
CSW	0	Width dependence of CS
CTATBOT	100	Trap-assisted tunneling prefactor of bottom part
CTATGAT	100u	Trap-assisted tunneling prefactor of gate-edge part
CTATSTI	100u	Trap-assisted tunneling prefactor of STI-edge part
CTL	0	Length dependence of interface states factor
CTLEXP	1	Exponent for length dependence of interface states factor
CTLW	0	Area dependence of interface states factor
CTO	0	Geometry-independent interface states factor
CTW	0	Width dependence of interface states factor
DLQ	0	Effective channel length reduction for CV
DNSUBO	0	Effective doping bias-dependence parameter
DPHIBL	0	Length dependence offset of PHIB
DPHIBLEXP	1	Exponent for length dependence of offset of PHIB
DPHIBLW	0	Area dependence of offset of PHIB
DPHIBO	0	Geometry independent offset of PHIB
DPHIBW	0	Width dependence of offset of PHIB

Model parameters for MOSFET level 1020 (PSP Geometrical Model)

Name	Default	Description
DTA	0	Temperature offset w.r.t. ambient circuit temperature
DWQ	0	Effective channel width reduction for CV
FBBTBTRBOT	1G	Normalization field at the reference temperature for band-to-band tunneling of bottom part
FBBTBTRGAT	1G	Normalization field at the reference temperature for band-to-band tunneling of gate-edge part
FBBTBTRSTI	1G	Normalization field at the reference temperature for band-to-band tunneling of STI-edge part
FBET1	0	Relative mobility decrease due to first lateral profile
FBET1W	0	Width dependence of relative mobility decrease due to first lateral profile
FBET2	0	Relative mobility decrease due to second lateral profile
FETAO	1	Effective field parameter
FNTO	1	Thermal noise coefficient
FOL1	0	First length dependence coefficient for short channel body effect
FOL2	0	Second length dependence coefficient for short channel body effect
GC2O	375m	Gate current slope factor
GC3O	63m	Gate current curvature factor
GCOO	0	Gate tunneling energy adjustment
IDSATRBOT	1p	Saturation current density at the reference temperature of bottom part
IDSATRGAT	.001f	Saturation current density at the reference temperature of gate-edge part
IDSATRSTI	.001f	Saturation current density at the reference temperature of STI-edge part
IGINVLW	0	Gate channel current pre-factor for 1 μm^2 channel area
IGOVW	0	Gate overlap current pre-factor for 1 μm wide channel
IMAX	1K	Maximum current up to which forward current behaves exponentially
KUO	0	Mobility degradation/enhancement coefficient
KVSAT	0	Saturation velocity degradation/enhancement coefficient
KVTHO	0	Threshold shift parameter

Model parameters for MOSFET level 1020 (PSP Geometrical Model)

Name	Default	Description
L	10u	Design length
LAP	0	Effective channel length reduction per side
LGDRAIN	1u	Gate-edge length of drain junction
LGSOURCE	1u	Gate-edge length of source junction
LKUO	0	Length dependence of KUO
LKVTHO	0	Length dependence of KVTHO
LLODKUO	0	Length parameter for UO stress effect
LLODVTH	0	Length parameter for VTH stress effect
LODETAO	1	Eta0 shift modification factor for stress effect
LOV	0	Overlap length for gate/drain and gate/source overlap capacitance
LP1	10n	Mobility-related characteristic length of first lateral profile
LP1W	0	Width dependence of mobility-related characteristic length of first lateral profile
LP2	10n	Mobility-related characteristic length of second lateral profile
LPCK	10n	Char. length of lateral doping profile
LPCKW	0	Width dependence of char. length of lateral doping profile
LSDRAIN	1u	STI-edge length of drain junction
LSSOURCE	1u	STI-edge length of source junction
LVARL	0	Length dependence of LVAR
LVARO	0	Geom. independent difference between actual and programmed gate length
LVARW	0	Width dependence of LVAR
MEFFTATBOT	250m	Effective mass (in units of m_0) for trap-assisted tunneling of bottom component
MEFFTATGAT	250m	Effective mass (in units of m_0) for trap-assisted tunneling of gate-edge component
MEFFTATSTI	250m	Effective mass (in units of m_0) for trap-assisted tunneling of STI-edge component
MUEO	500m	Geometry independent mobility reduction coefficient at TR
MUEW	0	Width dependence of mobility reduction coefficient at TR
MULT	1	Number of devices in parallel
NFALW	8E22	First coefficient of flicker noise for 1 um^2 channel area

Model parameters for MOSFET level 1020 (PSP Geometrical Model)

Name	Default	Description
NFBLW	30MEG	Second coefficient of flicker noise for 1 μm^2 channel area
NFCLW	0	Third coefficient of flicker noise for 1 μm^2 channel area
NOVO	5E25	Effective doping of overlap region
NPCK	1E24	Pocket doping level
NPCKW	0	Width dependence of pocket doping NPCK due to segregation
NPL	0	Length dependence of gate poly-silicon doping
NPO	1E26	Geometry-independent gate poly-silicon doping
NSLPO	50m	Effective doping bias-dependence parameter
NSUBO	3E23	Geometry independent substrate doping
NSUBW	0	Width dependence of background doping NSUBO due to segregation
PBOT	500m	Grading coefficient of bottom component
PBRBOT	4	Breakdown onset tuning parameter of bottom part
PBRGAT	4	Breakdown onset tuning parameter of gate-edge part
PBRSTI	4	Breakdown onset tuning parameter of STI-edge part
PD	1 μ	Perimeter of drain junction
PGAT	500m	Grading coefficient of gate-edge part
PHIGBOT	1.16	Zero-temperature bandgap voltage of bottom part
PHIGGAT	1.16	Zero-temperature bandgap voltage of gate-edge part
PHIGSTI	1.16	Zero-temperature bandgap voltage of STI-edge part
PKUO	0	Cross-term dependence of KUO
PKVTHO	0	Cross-term dependence of KVTHO
PS	1 μ	Perimeter of source junction
PSTI	500m	Grading coefficient of STI-edge part
QMC	1	Quantum-mechanical correction factor
RSBO	0	Back-bias dependence of series resistance
RSGO	0	Gate-bias dependence of series resistance
RSW1	2.5K	Source/drain series resistance for 1 μm wide channel at TR
RSW2	0	Higher-order width scaling of RS
SA	0	Distance between OD-edge to poly from one side
SAREF	1 μ	Reference distance between OD-edge to poly from one side
SB	0	Distance between OD-edge to poly from other side
SBREF	1 μ	Reference distance between OD-edge to poly from other side

Model parameters for MOSFET level 1020 (PSP Geometrical Model)

Name	Default	Description
STA2O	0	Temperature dependence of A2
STBETL	0	Length dependence of temperature dependence of BETN
STBETLW	0	Area dependence of temperature dependence of BETN
STBETO	1	Geometry independent temperature dependence of BETN
STBETW	0	Width dependence of temperature dependence of BETN
STBGIDLO	0	Temperature dependence of BGIDL
STCSO	0	Temperature dependence of CS
STETAO	0	Eta0 shift factor related to VTHO change
STFBBTBOT	-1m	Temperature scaling parameter for band-to-band tunneling of bottom component
STFBBTGAT	-1m	Temperature scaling parameter for band-to-band tunneling of gate-edge component
STFBBTSTI	-1m	Temperature scaling parameter for band-to-band tunneling of STI-edge component
STIGO	2	Temperature dependence of IGINV and IGOV
STMUEO	0	Temperature dependence of MUE
STRSO	1	Temperature dependence of RS
STTHEMUO	1.5	Temperature dependence of THEMU
STTHESATL	0	Length dependence of temperature dependence of THESAT
STTHESATLW	0	Area dependence of temperature dependence of THESAT
STTHESATO	1	Geometry independent temperature dependence of THESAT
STTHESATW	0	Width dependence of temperature dependence of THESAT
STVFBL	0	Length dependence of temperature dependence of VFB
STVFBLW	0	Area dependence of temperature dependence of VFB
STVFBO	500u	Geometry-independent temperature dependence of VFB
STVFBW	0	Width dependence of temperature dependence of VFB
STXCORO	0	Temperature dependence of XCOR

Model parameters for MOSFET level 1020 (PSP Geometrical Model)

Name	Default	Description
SWGIDL	0	Flag for GIDL current, 0=turn off IGIDL
SWGATE	0	Flag for gate current, 0=turn off IG
SWIMPACT	0	Flag for impact ionization current, 0=turn off II
SWJUNCAP	0	Flag for juncap, 0=turn off juncap
THEMUO	1.5	Mobility reduction exponent at TR
THESATBO	0	Back-bias dependence of velocity saturation
THESATGO	0	Gate-bias dependence of velocity saturation
THESATL	50m	Length dependence of THESAT
THESATLEXP	1	Exponent for length dependence of THESAT
THESATLW	0	Area dependence of velocity saturation parameter
THESATO	0	Geometry independent velocity saturation parameter at TR
THESATW	0	Width dependence of velocity saturation parameter
TKUO	0	Temperature dependence of KUO
TOXO	2n	Gate oxide thickness
TOXOVO	2n	Overlap oxide thickness
TR	21	nominal (reference) temperature
TRJ	21	reference temperature
UO	50m	Zero-field mobility at TR
VBIRBOT	1	Built-in voltage at the reference temperature of bottom part
VBIRGAT	1	Built-in voltage at the reference temperature of gate-edge part
VBIRSTI	1	Built-in voltage at the reference temperature of STI-edge part
VBRBOT	10	Breakdown voltage of bottom part
VBRGAT	10	Breakdown voltage of gate-edge part
VBRSTI	10	Breakdown voltage of STI-edge part
VFBL	0	Length dependence of flat-band voltage
VFBLW	0	Area dependence of flat-band voltage
VFBO	-1	Geometry-independent flat-band voltage at TR
VFBW	0	Width dependence of flat-band voltage
VNSUBO	0	Effective doping bias-dependence parameter
VPO	50m	CLM logarithmic dependence parameter
W	10u	Design width
WBET	1n	Characteristic width for width scaling of BETN
WKUO	0	Width dependence of KUO
WKVTHO	0	Width dependence of KVTHO
WLOD	0	Width parameter

Model parameters for MOSFET level 1020 (PSP Geometrical Model)

Name	Default	Description
WLODKUO	0	Width parameter for UO stress effect
WLODVTH	0	Width parameter for VTH stress effect
WOT	0	Effective channel width reduction per side
WSEG	10n	Char. length of segregation of background doping NSUBO
WSEGP	10n	Char. length of segregation of pocket doping NPCK
WVARL	0	Length dependence of WVAR
WVARO	0	Geom. independent difference between actual and programmed field-oxide opening
WVARW	0	Width dependence of WVAR
XCORL	0	Length dependence of non-universality parameter
XCORLW	0	Area dependence of non-universality parameter
XCORO	0	Geometry independent non-universality parameter
XCORW	0	Width dependence of non-universality parameter
XJUNGAT	100n	Junction depth of gate-edge component
XJUNSTI	100n	Junction depth of STI-edge component

Model parameters for MOSFET level 1021 (PSP Binning Model)

Name	Default	Description
LEVEL	1021	Model level 1021 for binning model
ABDRAIN	1p	Bottom area of drain junction
ABSOURCE	1p	Bottom area of source junction
AD	1p	Bottom area of drain junction
AS	1p	Bottom area of source junction
CBBTBOT	1p	Band-to-band tunneling prefactor of bottom part
CBBTGAT	.001f	Band-to-band tunneling prefactor of gate-edge part
CBBTSTI	.001f	Band-to-band tunneling prefactor of STI-edge part
CJORBOT	1m	Zero-bias capacitance per unit area of bottom part
CJORGAT	1n	Zero-bias capacitance per unit length of gate-edge part
CJORSTI	1n	Zero-bias capacitance per unit-of-length of STI-edge part
CSRHBOT	100	Shockley-Read-Hall prefactor of bottom part
CSRHGAT	100u	Shockley-Read-Hall prefactor of gate-edge part
CSRHSTI	100u	Shockley-Read-Hall prefactor of STI-edge part
CTATBOT	100	Trap-assisted tunneling prefactor of bottom part
CTATGAT	100u	Trap-assisted tunneling prefactor of gate-edge part
CTATSTI	100u	Trap-assisted tunneling prefactor of STI-edge part
DLQ	0	Effective channel length reduction for CV
DTA	0	Temperature offset w.r.t. ambient temperature
DWQ	0	Effective channel width reduction for CV
FBBTRBOT	1G	Normalization field at the reference temperature for band-to-band tunneling of bottom part
FBBTRGAT	1G	Normalization field at the reference temperature for band-to-band tunneling of gate-edge part
FBBTRSTI	1G	Normalization field at the reference temperature for band-to-band tunneling of STI-edge part
IDSATRBOT	1p	Saturation current density at the reference temperature of bottom part
IDSATRGAT	.001f	Saturation current density at the reference temperature of gate-edge part
IDSATRSTI	.001f	Saturation current density at the reference temperature of STI-edge part
IMAX	1K	Maximum current up to which forward current behaves exponentially
KUO	0	Mobility degradation/enhancement coefficient
KVSAT	0	Saturation velocity degradation/enhancement coefficient

Model parameters for MOSFET level 1021 (PSP Binning Model)

Name	Default	Description
KVTHO	0	Threshold shift parameter
L	10u	Design length
LAP	0	Effective channel length reduction per side due to lateral diffusion of source/drain dopant ions
LGDRAIN	1u	Gate-edge length of drain junction
LGSOURCE	1u	Gate-edge length of source junction
LKUO	0	Length dependence of KUO
LKVTHO	0	Length dependence of KVTHO
LLODKUO	0	Length parameter for UO stress effect
LLODVTH	0	Length parameter for VTH stress effect
LODETAO	1	Eta0 shift modification factor for stress effect
LSDRAIN	1u	STI-edge length of drain junction
LSSOURCE	1u	STI-edge length of source junction
LVARL	0	Length dependence of difference between actual and programmed poly-silicon gate length
LVARO	0	Geometry independent difference between actual and programmed poly-silicon gate length
MEFFTATBOT	250m	Effective mass (in units of m0) for trap-assisted tunneling of bottom component
MEFFTATGAT	250m	Effective mass (in units of m0) for trap-assisted tunneling of gate-edge component
MEFFTATSTI	250m	Effective mass (in units of m0) for trap-assisted tunneling of STI-edge component
MULT	1	Number of devices in parallel
PBOT	500m	Grading coefficient of bottom component
PBRBOT	4	Breakdown onset tuning parameter of bottom part
PBRGAT	4	Breakdown onset tuning parameter of gate-edge part
PBRSTI	4	Breakdown onset tuning parameter of STI-edge part
PD	1u	Perimeter of drain junction
PGAT	500m	Grading coefficient of gate-edge component
PHIGBOT	1.16	Zero-temperature bandgap voltage of bottom part
PHIGGAT	1.16	Zero-temperature bandgap voltage of gate-edge part
PHIGSTI	1.16	Zero-temperature bandgap voltage of STI-edge part
PKUO	0	Cross-term dependence of KUO
PKVTHO	0	Cross-term dependence of KVTHO
PLA1	0	Coefficient for the length dependence of A1
PLA3	0	Coefficient for the length dependence of A3
PLA4	0	Coefficient for the length dependence of A4
PLAGIDL	0	Coefficient for the length dependence of AGIDL

Model parameters for MOSFET level 1021 (PSP Binning Model)

Name	Default	Description
PLALP	0	Coefficient for length dependence of ALP
PLALP1	0	Coefficient for length dependence of ALP1
PLALP2	0	Coefficient for length dependence of ALP2
PLAX	0	Coefficient for length dependence of AX
PLBETN	0	Coefficient for length dependence of BETN
PLCF	0	Coefficient for length dependence of CF
PLCFR	0	Coefficient for length dependence of CFR
PLCGBOV	0	Coefficient for length dependence of CGBOV
PLCGOV	0	Coefficient for length dependence of CGOV
PLCOX	0	Coefficient for length dependence of COX
PLCS	0	Coefficient for length dependence of CS
PLCT	0	Coefficient for length dependence of CT
PLDPHIB	0	Coefficient for length dependence of DPHIB
PLIGINV	0	Coefficient for length dependence of IGINV
PLIGOV	0	Coefficient for length dependence of IGOV
PLMUE	0	Coefficient for length dependence of MUE
PLNEFF	0	Coefficient for length dependence of NEFF
PLNFA	0	Coefficient for length dependence of NFA
PLNFB	0	Coefficient for length dependence of NFB
PLNFC	0	Coefficient for length dependence of NFC
PLNOV	0	Coefficient for length dependence of NOV
PLNP	0	Coefficient for length dependence of NP
PLRS	0	Coefficient for length dependence of RS
PLSTBET	0	Coefficient for length dependence of STBET
PLSTSAT	0	Coefficient for length dependence of STSAT
PLSTVFB	0	Coefficient for length dependence of STVFB
PLSAT	0	Coefficient for length dependence of SAT
PLSATB	0	Coefficient for length dependence of SATB
PLSATG	0	Coefficient for length dependence of SATG
PLVFB	0	Coefficient for length dependence of VFB
PLWA1	0	Coefficient for L*W dependence of A1
PLWA3	0	Coefficient for L*W dependence of A3
PLWA4	0	Coefficient for L*W dependence of A4
PLWAGIDL	0	Coefficient for L*W dependence of AGIDL
PLWALP	0	Coefficient for L*W dependence of ALP
PLWALP1	0	Coefficient for L*W dependence of ALP1
PLWALP2	0	Coefficient for L*W dependence of ALP2
PLWAX	0	Coefficient for L*W dependence of AX
PLWBETN	0	Coefficient for L*W dependence of BETN

Model parameters for MOSFET level 1021 (PSP Binning Model)

Name	Default	Description
PLWCF	0	Coefficient for L*W dependence of CF
PLWCFR	0	Coefficient for L*W dependence of CFR
PLWCGBOV	0	Coefficient for L*W dependence of CGBOV
PLWCGOV	0	Coefficient for L*W dependence of CGOV
PLWCOX	0	Coefficient for L*W dependence of COX
PLWCS	0	Coefficient for L*W dependence of CS
PLWCT	0	Coefficient for L*W dependence of CT
PLWDPHIB	0	Coefficient for L*W dependence of DPHIB
PLWIGINV	0	Coefficient for L*W dependence of IGINV
PLWIGOV	0	Coefficient for L*W dependence of IGOV
PLWMUE	0	Coefficient for L*W dependence of MUE
PLWNEFF	0	Coefficient for L*W dependence of NEFF
PLWNFA	0	Coefficient for L*W dependence of NFA
PLWNFB	0	Coefficient for L*W dependence of NFB
PLWNFC	0	Coefficient for L*W dependence of NFC
PLWNOV	0	Coefficient for L*W dependence of NOV
PLWNP	0	Coefficient for L*W dependence of NP
PLWRS	0	Coefficient for L*W dependence of RS
PLWSTBET	0	Coefficient for L*W dependence of STBET
PLWSTSAT	0	Coefficient for L*W dependence of STTHESAT
PLWSTVFB	0	Coefficient for L*W dependence of STVFB
PLWTHESAT	0	Coefficient for L*W dependence of THESAT
PLWTHESATB	0	Coefficient for L*W dependence of THESATB
PLWTHESATG	0	Coefficient for L*W dependence of THESATG
PLWVFB	0	Coefficient for L*W dependence of VFB
PLWXCOR	0	Coefficient for L*W dependence of XCOR
PLXCOR	0	Coefficient for length dependence of XCOR
POA1	1	Geometry independent part of A1
POA2	10	Geometry independent part of A2
POA3	1	Geometry independent part of A3
POA4	0	Geometry independent part of A4
POAGIDL	0	Geometry independent part of AGIDL
POALP	10m	Geometry independent part of ALP
POALP1	0	Geometry independent part of ALP1
POALP2	0	Geometry independent part of ALP2
POAX	3	Geometry independent part of AX
POBETN	70m	Geometry independent part of BETN
POBGIDL	41	Geometry independent part of BGIDL
POCF	0	Geometry independent part of CF

Model parameters for MOSFET level 1021 (PSP Binning Model)

Name	Default	Description
POCFB	0	Geometry independent part of CFB
POCFR	0	Geometry independent part of CFR
POCBOV	0	Geometry independent part of CBOV
POCGIDL	0	Geometry independent part of CGIDL
POCGOV	1f	Geometry independent part of CGOV
POCHIB	3.1	Geometry independent part of CHIB
POCOX	10f	Geometry independent part of COX
POCS	0	Geometry independent part of CS
POCT	0	Geometry independent part of CT
PODNSUB	0	Geometry independent part of DNSUB
PODPHIB	0	Geometry independent part of DPHIB
POFETA	1	Geometry independent part of FETA
POFNT	1	Geometry independent part of FNT
POGC2	375m	Geometry independent part of GC2
POGC3	63m	Geometry independent part of GC3
POGCO	0	Geometry independent part of GCO
POIGINV	0	Geometry independent part of IGINV
POIGOV	0	Geometry independent part of IGOV
POMUE	500m	Geometry independent part of MUE
PONEFF	5E23	Geometry independent part of NEFF
PONFA	8E22	Geometry independent part of NFA
PONFB	30MEG	Geometry independent part of NFB
PONFC	0	Geometry independent part of NFC
PONOV	5E25	Geometry independent part of NOV
PONP	1E26	Geometry independent part of NP
PONSLP	50m	Geometry independent part of NSLP
PORS	30	Geometry independent part of RS
PORSB	0	Geometry independent part of RSB
PORSG	0	Geometry independent part of RSG
POSTA2	0	Geometry independent part of STA2
POSTBET	1	Geometry independent part of STBET
POSTBGIDL	0	Geometry independent part of STBGIDL
POSTCS	0	Geometry independent part of STCS
POSTIG	2	Geometry independent part of STIG
POSTMUE	0	Geometry independent part of STMUE
POSTRS	1	Geometry independent part of STRS
POSTTHEMU	1.5	Geometry independent part of STTHEMU
POSTTHESAT	1	Geometry independent part of STTHESAT
POSTVFB	500u	Geometry independent part of STVFB

Model parameters for MOSFET level 1021 (PSP Binning Model)

Name	Default	Description
POSTXCOR	0	Geometry independent part of STXCOR
POTHEMU	1.5	Geometry independent part of THEMU
POTHEBAT	1	Geometry independent part of THEBAT
POTHEBATB	0	Geometry independent part of THEBATB
POTHEBATG	0	Geometry independent part of THEBATG
POTOX	2n	Geometry independent part of TOX
POTOXOV	2n	Geometry independent part of TOXOV
POVFB	-1	Geometry independent part of VFB
POVNSUB	0	Geometry independent part of VNSUB
POVP	50m	Geometry independent part of VP
POXCOR	0	Geometry independent part of XCOR
PS	1u	Perimeter of source junction
PSTI	500m	Grading coefficient of STI-edge component
PWA1	0	Coefficient for width dependence of A1
PWA3	0	Coefficient for width dependence of A3
PWA4	0	Coefficient for width dependence of A4
PWAGIDL	0	Coefficient for width dependence of AGIDL
PWALP	0	Coefficient for width dependence of ALP
PWALP1	0	Coefficient for width dependence of ALP1
PWALP2	0	Coefficient for width dependence of ALP2
PWAX	0	Coefficient for width dependence of AX
PWBETN	0	Coefficient for width dependence of BETN
PWCF	0	Coefficient for width dependence of CF
PWCFR	0	Coefficient for width dependence of CFR
PWCGBOV	0	Coefficient for width dependence of CGBOV
PWCGOV	0	Coefficient for width dependence of CGOV
PWCOX	0	Coefficient for width dependence of COX
PWCS	0	Coefficient for width dependence of CS
PWCT	0	Coefficient for width dependence of CT
PWDPHIB	0	Coefficient for width dependence of DPHIB
PWIGINV	0	Coefficient for width dependence of IGINV
PWIGOV	0	Coefficient for width dependence of IGOV
PWMUE	0	Coefficient for width dependence of MUE
PWNEFF	0	Coefficient for width dependence of NEFF
PWNFA	0	Coefficient for width dependence of NFA
PWNFB	0	Coefficient for width dependence of NFB
PWNFC	0	Coefficient for width dependence of NFC
PWNOV	0	Coefficient for width dependence of NOV
PWNP	0	Coefficient for width dependence of NP

Model parameters for MOSFET level 1021 (PSP Binning Model)

Name	Default	Description
PWRS	0	Coefficient for width dependence of RS
PWSTBET	0	Coefficient for width dependence of STBET
PWSTTHESAT	0	Coefficient for width dependence of STTHESAT
PWSTVFB	0	Coefficient for width dependence of STVFB
PWTHESAT	0	Coefficient for width dependence of THESAT
PWTHESATB	0	Coefficient for width dependence of THESATB
PWTHESATG	0	Coefficient for width dependence of THESATG
PWVFB	0	Coefficient for width dependence of VFB
PWXCOR	0	Coefficient for width dependence of XCOR
QMC	1	Quantum-mechanical correction factor
SA	0	Distance between OD-edge to poly from one side
SAREF	1u	Reference distance between OD-edge to poly from one side
SB	0	Distance between OD-edge to poly from other side
SBREF	1u	Reference distance between OD-edge to poly from the other side
STETAO	0	Eta0 shift factor related to VTHO change
STFBBTBOT	-1m	Temperature scaling parameter for band-to-band tunneling of bottom component
STFBBTGAT	-1m	Temperature scaling parameter for band-to-band tunneling of gate-edge component
STFBBTSTI	-1m	Temperature scaling parameter for band-to-band tunneling of STI-edge component
SWGIDL	0	Flag for GIDL current, 0=turn off IGIDL
SWGATE	0	Flag for gate current, 0=turn off IG
SWIMPACT	0	Flag for impact ionization current, 0=turn off II
SWJUNCAP	0	Flag for juncap, 0=turn off juncap
TKUO	0	Temperature dependence of KUO
TR	21	Nominal (reference) temperature
TRJ	21	Reference temperature
VBIRBOT	1	Built-in voltage at the reference temperature of bottom part
VBIRGAT	1	Built-in voltage at the reference temperature of gate-edge part
VBIRSTI	1	Built-in voltage at the reference temperature of STI-edge part
VBRBOT	10	Breakdown voltage of bottom part
VBRGAT	10	Breakdown voltage of gate-edge part
VBRSTI	10	Breakdown voltage of STI-edge part

Model parameters for MOSFET level 1021 (PSP Binning Model)

Name	Default	Description
W	10u	Design width
WKUO	0	Width dependence of KUO
WKVTHO	0	Width dependence of KVTHO
WLOD	0	Width parameter
WLODKUO	0	Width parameter for UO stress effect
WLODVTH	0	Width parameter for VTH stress effect
WOT	0	Effective reduction of channel width per side due to lateral diffusion of channel-stop dopant ions
WVARO	0	Geometry independent difference between actual and programmed field-oxide opening
WVARW	0	Width dependence of difference between actual and programmed field-oxide opening
XJUNGAT	100n	Junction depth of gate-edge component
XJUNSTI	100n	Junction depth of STI-edge component

N_Port

Schematic format

PART attribute

<name>

Example

SP1

FILE attribute

<file name>

The FILE attribute specifies the path and name of the N-Port parameter file.

Example

E:\MC9\data\Gg10v20m.s2p

The N_PORT device is a general device with N ports characterized by a set of S, Y, Z, G, H, T, or ABCD parameters contained in standard Touchstone data files.

Typically these files are provided by RF suppliers in a text file as a table of values. Here, for example, is a set of typical 2-port S parameters:

```
! SIEMENS Small Signal Semiconductors
! BFG194
! Si PNP RF Bipolar Junction Transistor in SOT223
! VCE = -10 V   IC = -20 mA
! Common Emitter S-Parameters:           August 1996
# GHz S MA R 50
! f      S11      S21      S12      S22
! GHz  MAG ANG  MAG ANG  MAG ANG  MAG ANG
0.010 0.3302 -25.4 35.370 169.9 0.0053 85.3 0.9077 -10.0
0.020 0.3471 -48.2 33.679 161.6 0.0108 77.5 0.8815 -19.8
0.050 0.4525 -95.0 27.726 139.2 0.0226 61.4 0.7258 -43.7
0.100 0.5462 -131.5 19.023 118.7 0.0332 52.2 0.5077 -68.7
0.150 0.5723 -149.4 13.754 106.4 0.0394 49.1 0.3795 -84.8
0.200 0.5925 -159.8 10.787 99.1 0.0443 50.1 0.3068 -95.0
0.250 0.6023 -167.0 8.757 93.4 0.0497 51.2 0.2581 -104.8
0.300 0.6089 -172.2 7.393 89.0 0.0552 52.4 0.2298 -112.2
```

...

MC9 converts the incoming parameters to Y-parameters and then implements the N_PORT device as a set of Laplace table sources. Here, for example, is the equivalent circuit for a 4-port.

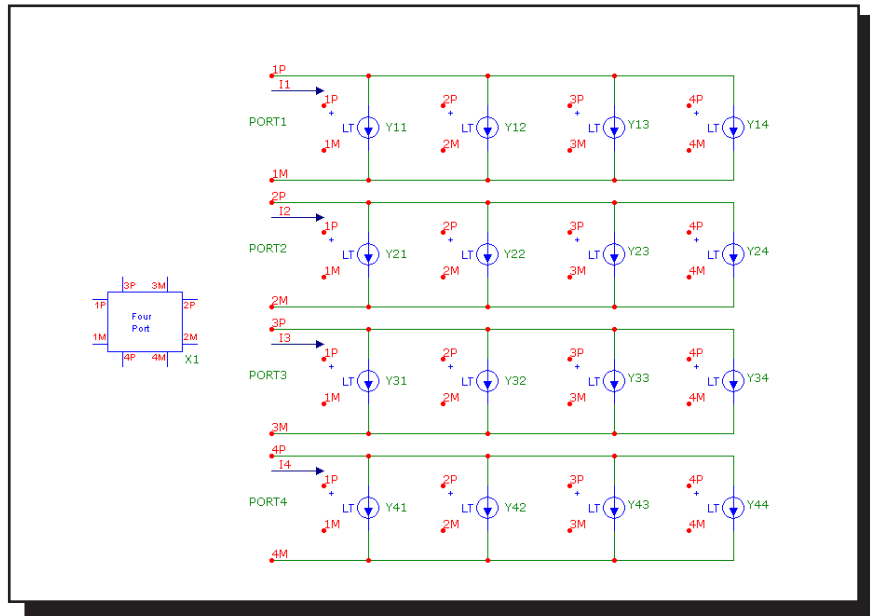


Figure 22-26 Four port equivalent circuit

The equations are:

$$I1 = Y11*V(1P,1M) + Y12*V(2P,2M) + Y13*V(3P,3M) + Y14*V(4P,4M)$$

$$I2 = Y21*V(1P,1M) + Y22*V(2P,2M) + Y23*V(3P,3M) + Y24*V(4P,4M)$$

$$I3 = Y31*V(1P,1M) + Y32*V(2P,2M) + Y33*V(3P,3M) + Y34*V(4P,4M)$$

$$I4 = Y41*V(1P,1M) + Y42*V(2P,2M) + Y43*V(3P,3M) + Y44*V(4P,4M)$$

For an example of how the N-Port device is used see the sample circuit file NPORT4.CIR.

OPAMP

Schematic format

PART attribute

<name>

Examples

OP1

MODEL attribute

<model name>

Example

LF351

There are three model levels for the OPAMP. Each succeeding level provides increasingly more realistic models at the expense of increasingly more complex equivalent circuits.

Level 1 is a simple voltage-controlled current source with a finite output resistance and open loop gain.

Level 2 is a three stage, two pole model with slew rate limiting, finite gain, and output resistance.

Level 3 is an enhanced Boyle model, similar to those implemented in other SPICE programs as subcircuits. It is not, however, a macro or a subcircuit, but a fully internal MC9 device model. It models positive and negative slew rates, finite gain, AC and DC output resistance, input offset voltage and current, phase margin, common mode rejection, unity gain bandwidth, three types of differential input, and realistic output voltage and current limiting.

Model statement forms

.MODEL <model name> OPA ([model parameters])

Examples

.MODEL LM709 OPA (A=45K VOFF=.001 SRP=250K GBW=1E6)

.MODEL LF155 OPA (LEVEL=2 TYPE=1 A=50K SRP=330K)

Model parameters

Name	Parameter	Units	Def.	Level
LEVEL	Model level(1, 2, 3)		1	1,2,3
TYPE	1=NPN 2=PNP 3=JFET	1	3	
C	Compensation capacitance	F	30E-12	3
A	DC open-loop gain		2E5	1,2,3
ROUTAC	AC output resistance	Ω	75	1,2,3
ROUTDC	DC output resistance	Ω	125	1,2,3
VOFF	Input offset voltage	V	0.001	3
IOFF	Input offset current	A	1E-9	3
SRP	Maximum positive slew rate	V/S	5E5	2,3
SRN	Maximum negative slew rate	V/S	5E5	2,3
IBIAS	Input bias current	A	1E-7	3
VCC	Positive power supply	V	15	3
VEE	Negative power supply	V	-15	3
VPS	Maximum pos. voltage swing	V	13	3
VNS	Maximum neg. voltage swing	V	-13	3
CMRR	Common-mode rejection ratio		1E5	3
GBW	Gain bandwidth		1E6	2,3
PM	Phase margin	deg.	60	2,3
PD	Power dissipation	W	.025	3
IOSC	Short circuit current	A	.02	3
T_MEASURED	Measured temperature	$^{\circ}\text{C}$		
T_ABS	Absolute temperature	$^{\circ}\text{C}$		
T_REL_GLOBAL	Relative to current temp.	$^{\circ}\text{C}$		
T_REL_LOCAL	Relative to AKO temperature	$^{\circ}\text{C}$		

VCC and VEE are the nominal power supply values at which VPS and VNS are specified. It is possible to operate the OPAMP at other supply voltages. VEE and VCC affect only power dissipation and the output saturation characteristics.

Model schematic and equations:

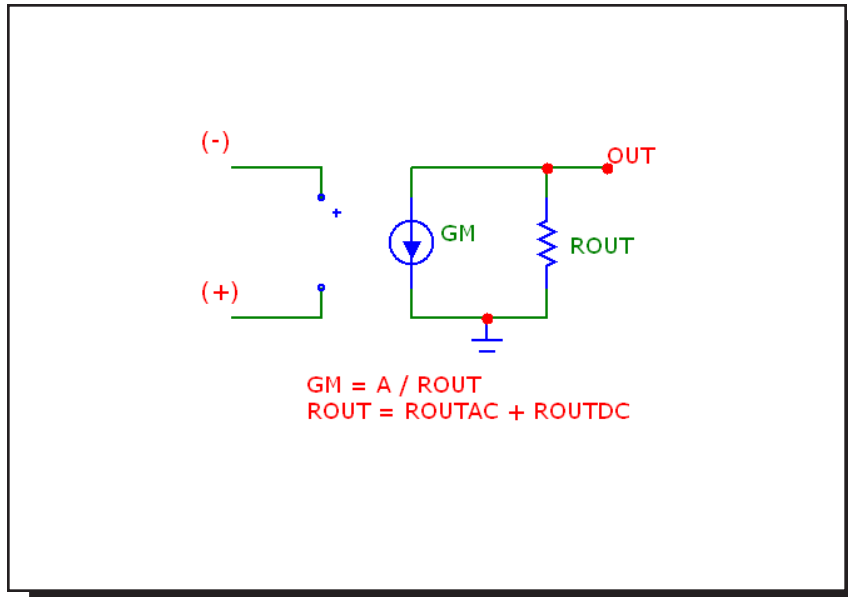


Figure 22-27 The level 1 opamp model

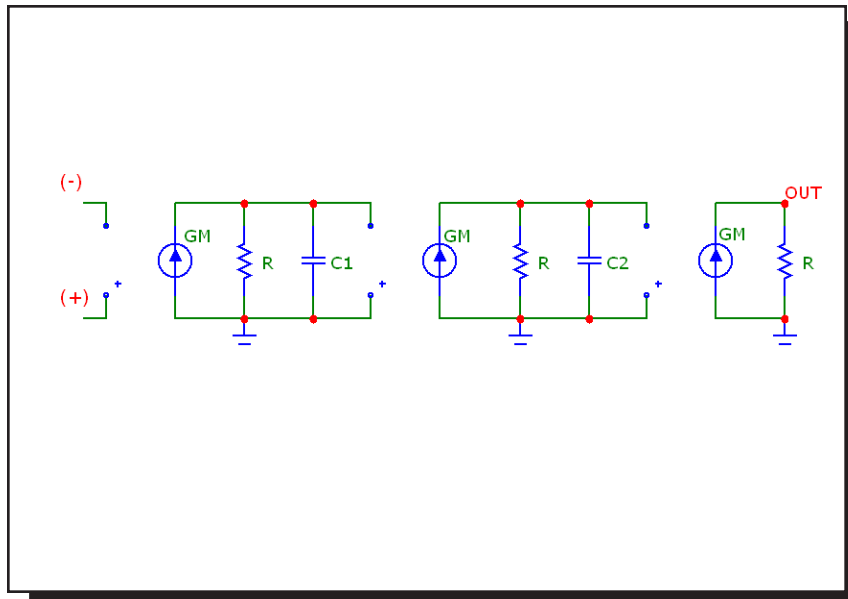


Figure 22-28 The level 2 opamp model

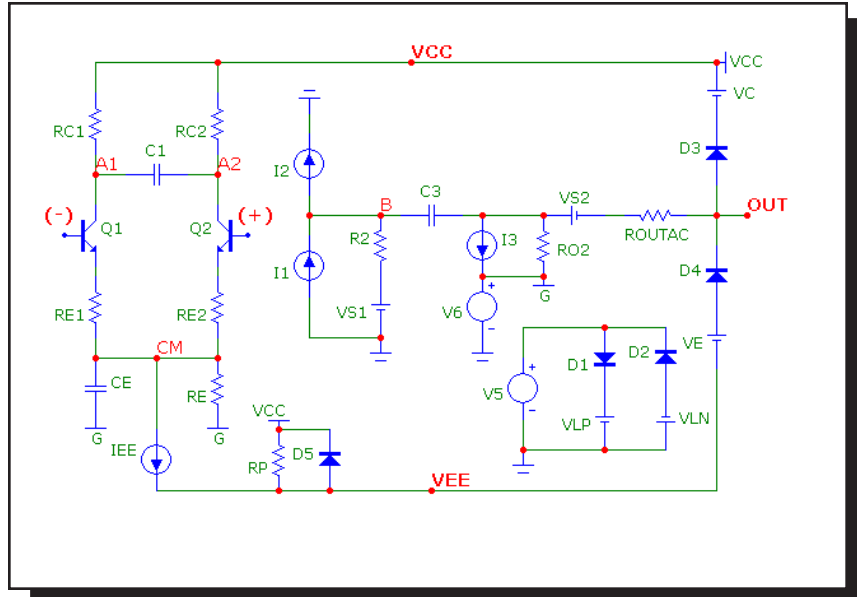


Figure 22-29 The level 3 opamp model with NPN inputs

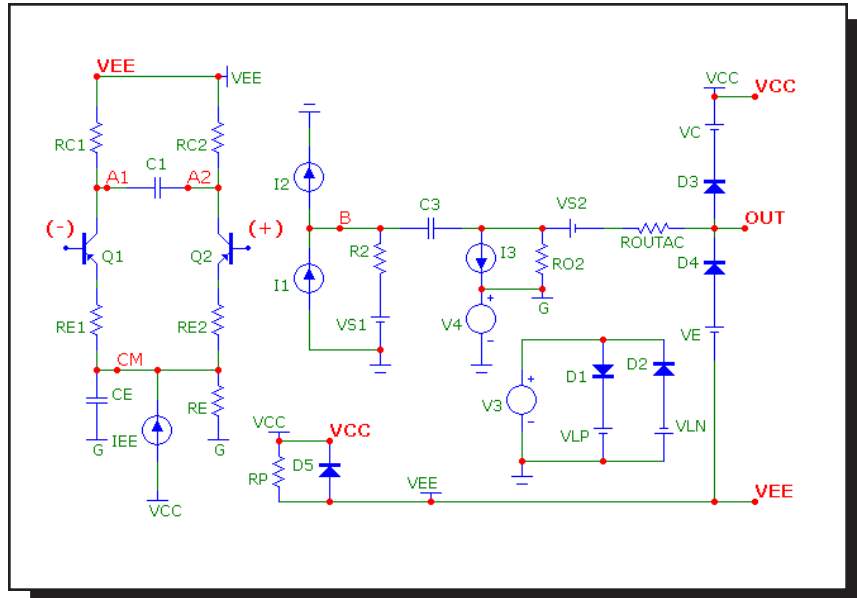


Figure 22-30 The level 3 opamp model with PNP inputs

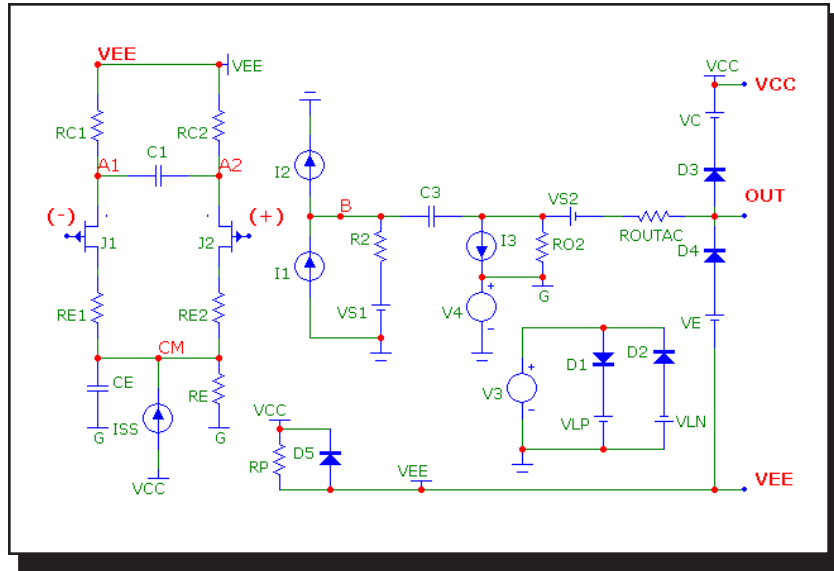


Figure 22-31 The level 3 opamp model with JFET inputs

Definitions

T	Junction temperature in degrees Kelvin
VT	$k \cdot T / q$
BETA1	Forward beta of Q1
BETA2	Forward beta of Q2
BJT1IS	Saturation current (IS) of Q1
BJT2IS	Saturation current (IS) of Q2
V(A1)	Voltage at node A1
V(A2)	Voltage at node A2
V(CM)	Voltage at node CM
I(VS1)	Current through source VS1
I(VC)	Current through source VC
I(VE)	Current through source VE
I(VLP)	Current through source VLP
I(VLN)	Current through source VLN
V(VCC)	Voltage across source VCC
V(VEE)	Voltage across source VEE
I(VS2)	Current through source VS2
I(GA)	Current of source GA
I(GCM)	Current of source GCM
I(F1)	Current of source F1
V(E1)	Voltage of source E1
V(H1)	Voltage of source H1

Temperature effects

Temperature affects diodes, BJTs, and JFETs in the usual way as described in the model sections for these devices. Default temperature parameters are used.

Level 1 equations

$$R = R_{OUTAC} + R_{OUTDC}$$

$$GM = A/R$$

Level 2 equations

$$R = R_{OUTAC} + R_{OUTDC}$$

$$GM = A^{1/3} / R$$

$$F1 = GBW / A$$

(First pole)

$$F2 = GBW / \tan(90 - PM)$$

(Second pole)

$$C1 = 1/(2 \cdot \pi \cdot F1 \cdot R)$$

$$C2 = 1/(2 \cdot \pi \cdot F2 \cdot R)$$

Level 3 equations

$$C3 = C$$

$$C1 = 0.5 \cdot C \cdot \tan(90 - PM)$$

$$RC1 = 1/(2 \cdot \pi \cdot GBW \cdot C3)$$

$$RC2 = RC1$$

$$R2 = 1E5$$

$$GA = 1/RC1$$

NPN and PNP input stages

$$VAF = 200$$

NPN input

$$IC1 = SRP \cdot C3 / 2$$

$$CE = 2 \cdot IC1 / SRN - C3$$

PNP input

$$IC1 = SRN \cdot C3 / 2$$

$$CE = 2 \cdot IC1 / SRP - C3$$

$$BETA1 = IC1 / (IBIAS + IOFF / 2)$$

$$BETA2 = IC1 / (IBIAS - IOFF / 2)$$

$$IEE = (((BETA1 + 1) / BETA1) + ((BETA2 + 1) / BETA2)) \cdot IC1$$

$$RE1 = ((BETA1 + BETA2) / (BETA1 + BETA2 + 2)) \cdot (RC1 - VT / IC1)$$

$$RE2 = RE1$$

$$RP = (|VCC| + |VEE|)^2 / (PD - |VCC| \cdot 2 \cdot IC1 - |VEE| \cdot IEE)$$

$$RE = VAF / IEE$$

$$BJT1IS = 1E-16$$

$$BJT2IS = BJT1IS \cdot (1 + VOFF / VT)$$

JFET input stage

$$IEE = C3 \cdot SRN$$

$$CE = IEE \cdot SRP - C3$$

$$RE = VAF / IEE$$

$$RE1 = 1$$

$$RE2 = 1$$

$$BETA1 = 0.5 \cdot GA^2 / IEE$$

$$BETA2 = BETA1$$

$$RP = (|VCC| + |VEE|)^2 / PD$$

ALL STAGES

$$RO2 = ROUTDC - ROUTAC$$

$$GCM = 1 / (CMRR \cdot RC1)$$

$$GB = RC1 \cdot A / RO2$$

$$VLP = IOSC \cdot 1000$$

$$VLN = VLP$$

$$VC = VCC - VPS$$

$$VE = -VEE + VNS$$

Controlled source equations

$$I(GA) = GA \cdot (V(A1) - V(A2))$$

$$I(GCM) = GCM \cdot V(CM)$$

$$I(F1) = GB \cdot I(VS1) - GB \cdot I(VC) + GB \cdot I(VE) + GB \cdot I(VLP) - GB \cdot I(VLN)$$

$$V(E1) = (V(VCC) + V(VEE)) / 2$$

$$V(H1) = 1000 \cdot I(VS2)$$

$$V(VS1) = 0.0 \quad (\text{Only used to measure current})$$

$$V(VS2) = 0.0 \quad (\text{Only used to measure current})$$

Level 2 and 3 models use Gain Bandwidth (GBW) as an input parameter. The models produce an OPAMP which, in open-loop configuration, produces the specified phase margin (PM) and a gain of -3.01 dB at $F = GBW$. The intersection of the gain curve asymptote (a straight line tangent to the mid-band gain curve) and the line $F = GBW$ occurs at 0.0 dB.

Note $PM = \text{Phase Margin} = \text{Phase Angle} + 180$. To plot the phase margin of $V(\text{OUT})$, the Y expression would be $PH(V(\text{OUT})) + 180$.

Pulse source

Schematic format

PART attribute

<name>

Examples

P1

MODEL attribute

<model name>

Example

RAMP

The PULSE source is similar to the SPICE PULSE independent voltage source, except that it uses a model statement and its timing values are defined with respect to T=0.

Model statement forms

.MODEL <model name> PUL ([model parameters])

Example

.MODEL STEP PUL (VZERO=.5 VONE=4.5 P1=10n P2=20n P3=100n
+ P4=110n P5=500n)

Model parameters

Name	Parameter	Units	Default
VZERO	Zero level	V	0.0
VONE	One level	V	5.0
P1	Time delay to leading edge	S	1.0E-7
P2	Time delay to one-level	S	1.1E-7
P3	Time delay to trailing edge	S	5.0E-7
P4	Time delay to zero level	S	5.1E-7
P5	Repetition period	S	1.0E-6

Equations

The waveform value is generated as follows:

<u>From</u>	<u>To</u>	<u>Value</u>
0	P1	VZERO
P1	P2	$VZERO + ((VONE - VZERO) / (P2 - P1)) \cdot (T - P1)$
P2	P3	VONE
P3	P4	$VONE + ((VZERO - VONE) / (P4 - P3)) \cdot (T - P3)$
P4	P5	VZERO

where From and To are T values, and $T = \text{TIME} \bmod P5$. The waveform repeats every P5 seconds. Note that $P5 \geq P4 \geq P3 \geq P2 \geq P1$.

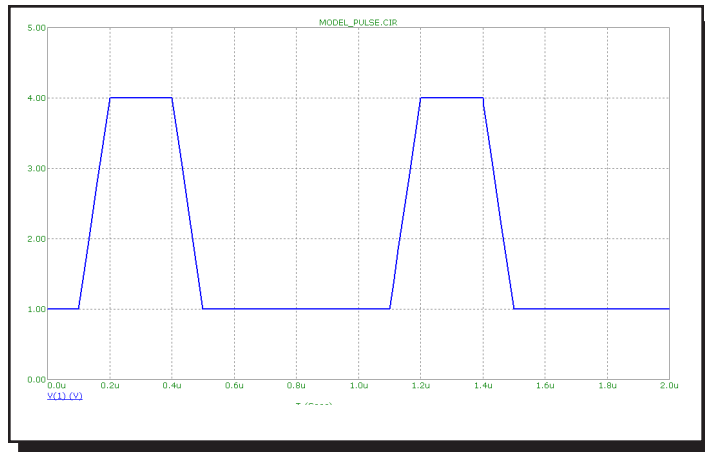


Figure 22-32 Sample waveform for model parameters
 $vzero=1$ $vone=4$ $P1=.1u$ $P2=.2u$ $P3=.4u$ $P4=.5u$ $P5=1u$

Resistor

SPICE format

Syntax

R<name> <plus> <minus> [*model_name*]
+<resistance> [TC=<tc1>[,<tc2>]]

Example

R1 2 3 50

<plus> and <minus> are the positive and negative node numbers. The polarity references are used only for plotting or printing the voltage across, V(RX), and the current through, I(RX), the resistor.

Schematic format

PART attribute

<name>

Examples

R5
CARBON5

RESISTANCE attribute

<resistance> [TC=<tc1>[,<tc2>]]

Examples

50
10K
50K*(1+V(6)/100)

FREQ attribute

<fexpr>

Examples

2K+10*(1+F/1e9)

MODEL attribute

[*model_name*]

Example

RMOD

RESISTANCE attribute

<resistance> may be a constant or an expression involving time-domain variables. The expression is evaluated in the time domain only. Consider the expression:

$$100+V(10)*2$$

V(10) refers to the value of the voltage on node 10 during a transient analysis, a DC operating point calculation prior to an AC analysis, or during a DC analysis. It does not mean the AC small signal voltage on node 10. If the DC operating point value for node 10 was 2, the resistance would be evaluated as $100 + 2*2 = 104$. The constant value, 104, is used in AC analysis.

FREQ attribute

If *<fexpr>* is used, it replaces the value determined during the operating point. *<fexpr>* may be a simple number or an expression involving frequency domain variables. The expression is evaluated during AC analysis as the frequency changes. For example, suppose the *<fexpr>* attribute is this:

$$V(4,5)*(1+F/1e7)$$

In this expression, F refers to the AC analysis frequency variable and V(4,5) refers to the AC small signal voltage between nodes 4 and 5. Note that there is no time-domain equivalent to *<fexpr>*. Even if *<fexpr>* is present, *<resistance>* will be used in transient analysis.

Stepping effects

The RESISTANCE attribute and all of the model parameters may be stepped. If it is stepped, it replaces *<resistance>*, even if *<resistance>* is an expression. The stepped value may be further modified by the temperature effect.

Temperature effects

There are two different temperature factors, a quadratic factor and an exponential factor. The quadratic factor is characterized by the model parameters TC1 and TC2, or *<tc1>* and *<tc2>* from the parameter line. The exponential factor is characterized by the model parameter TCE.

If [TC=*<tc1>*[,*<tc2>*]] is specified on the parameter line, *<resistance>* is multiplied by a temperature factor, TF.

$$TF = 1+<tc1>.(T-Tnom)+<tc2>.(T-Tnom)^2$$

If [*model_name*] is used and TCE is not specified, <*resistance*> is multiplied by a temperature factor, TF.

$$TF = 1 + TC1 \cdot (T - T_{nom}) + TC2 \cdot (T - T_{nom})^2$$

TC1 is the linear temperature coefficient and is sometimes given in data sheets as parts per million per degree C. To convert ppm specs to TC1 divide by 1E6. For example, a spec of 3000 ppm/degree C would produce a TC1 value of 3E-3.

If [*model_name*] is used and TCE is specified, <*value*> is multiplied by a temperature factor, TF.

$$TF = 1.01^{TCE \cdot (T - T_{nom})}$$

If both [*model_name*] and [TC=<*tc1*>[,<*tc2*>]] are specified, [TC=<*tc1*>[,<*tc2*>]] takes precedence.

T is the device operating temperature and Tnom is the temperature at which the nominal resistance was measured. T is set to the analysis temperature from the Analysis Limits dialog box. TNOM is determined by the Global Settings TNOM value, which can be overridden with a .OPTIONS statement. T and Tnom may be changed for each model by specifying values for T_MEASURED, T_ABS, T_REL_GLOBAL, and T_REL_LOCAL. See the .MODEL command for more on how device operating temperatures and Tnom temperatures are calculated.

Monte Carlo effects

LOT and DEV Monte Carlo tolerances, available only when [*model_name*] is used, are obtained from the model statement. They are expressed as either a percentage or as an absolute value and are available for all of the model parameters except the T_parameters. Both forms are converted to an equivalent *tolerance percentage* and produce their effect by increasing or decreasing the Monte Carlo factor, MF, which ultimately multiplies the final value.

$$MF = 1 \pm \textit{tolerance percentage} / 100$$

If *tolerance percentage* is zero or Monte Carlo is not in use, then the MF factor is set to 1.0 and has no effect on the final value.

The final resistance, *rvalue*, is calculated as follows:

$$rvalue = \textit{value} * R * TF * MF$$

Model statement form

```
.MODEL <model_name> RES ([model parameters])
```

Example

```
.MODEL RM RES (R=2.0 LOT=10% LS=2.3n TC1=.015)
```

Model parameters

Name	Parameter	Units	Default
R	Resistance multiplier		1.0
LS	Series inductance	H	0.0
CP	Parallel capacitance	F	0.0
TC1	Linear temperature coefficient	°C ⁻¹	0.0
TC2	Quadratic temperature coefficient	°C ⁻²	0.0
TCE	Exponential temperature coefficient	%/°C	0.0
NM	Noise multiplier		1.0
T_MEASURED	Measured temperature	°C	
T_ABS	Absolute temperature	°C	
T_REL_GLOBAL	Relative to current temperature	°C	
T_REL_LOCAL	Relative to AKO temperature	°C	

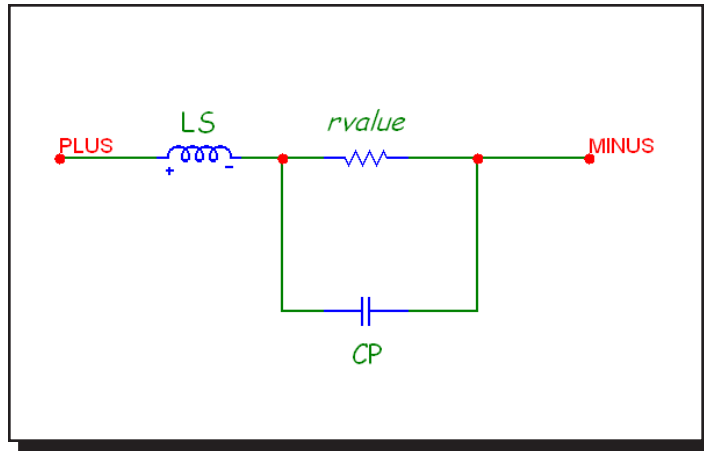


Figure 22-33 Resistor model

Noise effects

Resistor noise is modeled with a thermal noise current:

$$I = NM * \text{sqrt}(4 * K * T / rvalue)$$

NM multiplies the resistor noise current. A value of zero eliminates the noise contribution from all resistors that use the model.

S (Voltage-controlled switch)

SPICE format

S<name> <plus output node> <minus output node>
+<plus controlling node> <minus controlling node>
+<model name>

Example

S1 10 20 30 40 RELAMOD

Schematic format

PART attribute
<name>

Example

S1

MODEL attribute

<model name>

Example

RELAY

The switch can operate in two distinct operational modes, Smooth Transition and Hysteresis.

Smooth Transition Mode:

Use this mode if you do not need input hysteresis. The smooth transition minimizes convergence problems. In this mode VON and VOFF are specified. VT and VH are ignored. The switch impedance changes smoothly from RON to ROFF as the control voltage moves from VON to VOFF and from ROFF to RON as the control voltage moves from VOFF to VON. If VON>VOFF the operation is reversed.

Hysteresis Mode:

Use this mode if you need input hysteresis and the circuit is not sensitive to convergence problems. In the Hysteresis mode, VT and VH are specified. VON and VOFF are ignored. The switch impedance changes abruptly from RON to ROFF as the control voltage moves past VT+VH and from ROFF to RON as the control voltage moves past VT-VH. If VON>VOFF the operation is reversed.

This switch is controlled by the voltage across the two input nodes and the switch impedance is impressed across the output nodes.

RON and ROFF must be greater than zero and less than 1/Gmin.

Do not make the transition region, VON-VOFF, too small as this will cause an excessive number of time points required to cross the region. The smallest allowed values for VON-VOFF is (RELTOL*(max(VON,VOFF))+VNTOL).

Model statement forms

```
.MODEL <model name> VSWITCH ([model parameters])
```

Example

```
.MODEL S1 VSWITCH (RON=1 ROFF=1K VON=1 VOFF=1.5)
```

```
.MODEL S2 VSWITCH (RON=1 ROFF=1K VT=3 VH=1)
```

Model parameters

Name	Parameter	Units	Default
RON	On resistance	Ohms	1
ROFF	Off resistance	Ohms	1E6
VON	Control voltage for On state	V	1
VOFF	Control voltage for Off state	V	0
VT	Threshold voltage	V	None
VH	Hysteresis voltage	V	None

Model Equations

VC = Voltage across the control nodes

LM = Log-mean of resistor values = $\ln((RON \cdot ROFF)^{1/2})$

LR = Log-ratio of resistor values = $\ln(ROFF/RON)$

VM = Mean of control voltages = $(VON + VOFF)/2$

VD = Difference of control voltages = $VON - VOFF$

k = Boltzmann's constant

T = Analysis temperature

RS = Switch output resistance

Smooth Transition Mode: (Used if VON and VOFF are defined)

If $VON > VOFF$

If $VC \geq VON$

$RS = RON$

If $VC \leq VOFF$

$RS = ROFF$

If $VOFF < VC < VON$

$RS = \exp(LM + 3 \cdot LR \cdot (VC - VM) / (2 \cdot VD) - 2 \cdot LR \cdot (VC - VM)^3 / VD^3)$

If $VON < VOFF$

If $VC \leq VON$

$RS = RON$

If $VC \geq VOFF$

$RS = ROFF$

If $VOFF > VC > VON$

$RS = \exp(LM - 3 \cdot LR \cdot (VC - VM) / (2 \cdot VD) + 2 \cdot LR \cdot (VC - VM)^3 / VD^3)$

Hysteresis Mode: (Used if VON and VOFF are *not* defined)

If $VC \geq VT + VH$

$RS = RON$

If $VC \leq VT - VH$

$RS = ROFF$

Else

RS remains unchanged

Noise effects

Noise is modeled as a resistor equal to the resistance found during the DC operating point. The thermal noise current is calculated as follows:

$$I = \sqrt{4 \cdot k \cdot T / RS}$$

Sample and hold source

SPICE format

There is no equivalent Sample and Hold device in SPICE or PSpice.

Schematic format

PART attribute

<name>

Examples

S1

S10

SA

INPUT EXPR attribute

<input expression>

Examples

V(1,2)

V(10,20)*I(R1)

V(INPUT)

SAMPLE EXPR attribute

<sampling expression>

Examples

V(1,2)>1.2

V(5)>1.1 AND V(4) >1.2

I(RL)>1e-3

PERIOD attribute

<sampling period>

Examples

100ns

tmax/100

1U

This device is an ideal sample and hold. It samples *<input expression>* when *<sampling expression>* is true *or* every sample period seconds. The behavioral modes are distinguished as follows:

If *<sampling expression>* is specified:

<input expression> is sampled whenever *<sampling expression>* is ≥ 1.0 . *<sampling expression>* is normally a Boolean expression. The output voltage of the source is set to the sampled value and remains constant until the next sample.

If *<sampling expression>* is unspecified and *<sampling period>* is specified:

The source samples and stores the numeric value of *<input expression>* once every *<sampling period>* seconds, starting at *<tmin>*. The output voltage of the source is set to the sampled value and remains constant until the next sample.

Neither *<sampling expression>* nor *<sampling period>* is specified:

This will generate an error message. Either *<sampling expression>* or *<sampling period>* must be specified.

Both *<sampling expression>* and *<sampling period>* are specified:

<input expression> is sampled whenever *<sampling expression>* is ≥ 1.0 .

This is the same as the first case. The *<sampling period>* is ignored.

Note that while *<input expression>* is usually a node voltage, the expression can involve circuit variables, as in the second example. *<sampling period>* may include a non-time varying expression, as in the second example, where the *<tmax>* of the analysis run is used to calculate the sampling period.

See the sample file SH2.CIR for an example of how to use the sample and hold component.

Sine source

Schematic format

PART attribute

<name>

Examples

S1

MODEL attribute

<model name>

Example

Line60

The Sine source is similar to the SPICE SIN independent voltage source. Unlike the SPICE source, it uses a model statement.

Model statement form

.MODEL <model name> SIN ([model parameters])

Example

.MODEL V1 SIN (F=1Meg A=0.6 DC=1.5)

Model parameters

Name	Parameter	Units	Default
F	Frequency	Hz	1E6
A	Amplitude	V	1.0
DC	DC level	V	0.0
PH	Phase shift	Radians	0.0
RS	Source resistance	Ω	0.001
RP	Repetition period of exponential	S	0.00
TAU	Exponential time constant	S	0.00

Model Equations

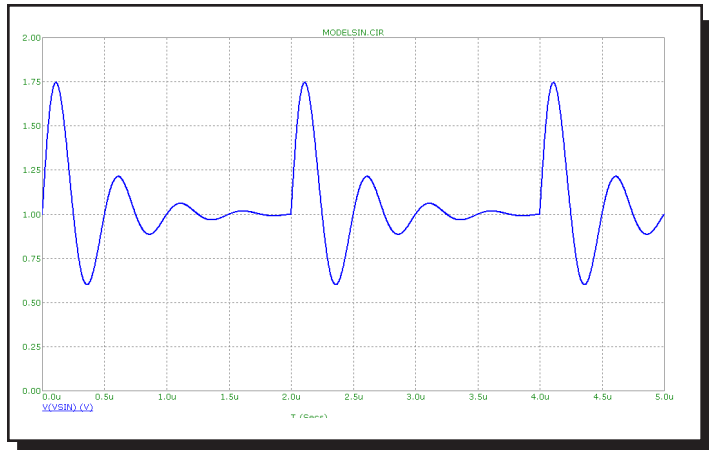
If TAU = 0 then

$$V = A \cdot \sin(2 \cdot \pi \cdot F \cdot \text{TIME} + \text{PH}) + \text{DC}$$

Else

$$V = A \cdot e^{(-T/\text{TAU})} \cdot \sin(2 \cdot \pi \cdot F \cdot \text{TIME} + \text{PH}) + \text{DC}$$

where $T = \text{TIME} \bmod \text{RP}$.



**Figure 22-34 Sample waveform for model parameters
F=2Meg A=1 DC=1 RP=2U TAU=.4U**

Subcircuit call

SPICE format

X<name> [*node*]* <subcircuit name>
+ [PARAMS: <<parameter name>=<parameter value>>*]
+ [TEXT: <<text name>=<text value>>*]

Examples

X1 10 20 AMP
XDIF 100 200 DIFF PARAMS: GAIN=10

Schematic format

PART attribute

<name>

Example

X1

NAME attribute

<subcircuit name>

Example

FILTER

FILE attribute

[<file name>]

Example

MYFILE.MOD

PARAMS: attribute

[<<parameter name>=<parameter value>>*]

Example

CENTER=10KHZ BW=1KHZ

TEXT: attribute

[<<text name>=<text value>>*]

Example

JEDEC="FILENAME"

[*node*]* are the numbers or names of the nodes specified in the .SUBCKT statement. The number of nodes in the subcircuit call must be the same as the number of nodes in the .SUBCKT statement. When the subcircuit is called, the nodes in the call are substituted for the nodes in the body of the subcircuit in the same order as they are listed in the .SUBCKT statement.

Any nodes defined in the .SUBCKT statement with the OPTIONAL: keyword may optionally follow the [*node*]* values. A subset of the optional nodes may be listed, and will be assigned to the internal subckt nodes in the order specified by the OPTIONAL statement. If you skip nodes, they must be skipped from the end of the list. OPTIONAL nodes are available only in a SPICE text circuit subcircuit call. Schematic subcircuits expect the exact number of pins defined for the subcircuit in the Component library. That is why there is no OPTIONAL attribute in the schematic format. This feature is used in the SPICE text file Digital Library to allow specifying optional power supply nodes.

The SPICE <*subcircuit name*> or schematic NAME attribute defines the subcircuit name. It must be the same as the name in the defining .SUBCKT statement.

The schematic FILE attribute defines the name of the file in which the .SUBCKT statement can be found. MC9 looks for the .SUBCKT statement in the following places in the order indicated.

- If the circuit is a schematic:
 - In the Text area.
 - In the file named in the FILE attribute.
 - In one or more files named in a '.LIB' statement.
 - In one or more files named in the default '.LIB NOM.LIB' statement.

- If the circuit is a SPICE text file:
 - In the circuit description text.
 - In one or more files named in a '.LIB' statement.
 - In one or more files named in the default '.LIB NOM.LIB' statement.

Subcircuits are used extensively in the Analog Library and Digital Library sections of the Component library. They are accessed via the default .LIB statement.

The SPICE keyword or schematic PARAMS: attribute lets you pass multiple numeric parameters to the subcircuit. <parameter name> is its name and <parameter value> defines the value it will assume if the parameter is not included in the subcircuit call. For example:

```
.SUBCKT CLIP 1 2
+ PARAMS: LOW=0 HIGH=10
```

Any of these calls are legal:

```
X1 10 20 CLIP ;RESULTS IN LOW=0, HIGH=10
X2 10 20 CLIP PARAMS: LOW=1 HIGH=2 ;RESULTS IN LOW=1, HIGH=2
X3 10 20 CLIP PARAMS: HIGH=4 ;RESULTS IN LOW=0, HIGH=4
```

The SPICE keyword or schematic TEXT: attribute lets you pass text parameters to the subcircuit. *<text name>* is the name of the text parameter and *<text value>* defines the value it will assume if the parameter is not included in the subcircuit call. For example:

```
.SUBCKT STIMULUS 1 2 3 4
+ TEXT: FILE="T1.STM"
```

Either of these calls are legal:

```
X1 10 20 30 40 STIMULUS ;RESULTS IN FILE="T1.STM"
X2 10 20 30 40 STIMULUS TEXT:FILE="P.STM" ;RESULTS IN FILE="P.STM"
```

Using the subckt component in an MC9 schematic circuit file is easy. First, you must enter the subcircuit into the Component library using the Component editor. This requires entering:

- **Subckt Name:** Use any unique name. To avoid confusion, it should be the same as the name used in the SUBCKT control statement, although this is not strictly necessary.
- **Shape Name:** Use any suitable shape.
- **Definition:** Use SUBCKT.

Once these items have been entered, the pin assignments must be defined. These define where the node numbers called out in the SUBCKT control statement go on the shape. Pins are assigned by clicking in the Shape drawing area and naming the pin with the subckt node number. The pin is then dragged to the desired position on the shape.

The subckt is then placed in the schematic in the usual way.

To see how subckts are called, see the sample circuit files SUBCKT1 and PLA2.

Switch

Schematic format

PART attribute

<name>

Examples

S1

VALUE attribute

<[V | T | I]>,<n1,n2> [,<ron>[,<roff>]]

Examples

V,1,2

I,2ma,3ma

T,1ms,2ms,50,5Meg

This is the oldest of three types of switches. The newer S and W switches exhibit a slower, but smoother transition between the off and on states.

There are three types of dependent switches; current-controlled, voltage-controlled, and time-controlled.

The switch is a four-terminal device. A current sensing inductor must be connected across the two input nodes when the current-controlled switch option is used. Voltage-controlled switches are controlled by the voltage across the two input nodes. Time dependent switches use the transient analysis time variable to control the opening and closing of the switch.

The two controlling nodes for a time-controlled switch are not used and may be shorted to ground or to the two output nodes to reduce the node count by two.

In transient analysis, care must be taken in choosing the time step of the simulation. If the time step is too large, the switch might never turn on. There must be at least one time point within the specified window for the switch to close or open.

The switch parameter syntax provides for a normally-on or a normally-off switch. A normally-on switch is one that is on outside the specified window and off inside the window. A normally-off switch is one that is off outside the window and on inside the window.

The optional $\langle ron \rangle$ impedance defaults to 1E-3 ohm. The optional $\langle roff \rangle$ defaults to 1E9 ohms. When specifying $\langle roff \rangle$, be careful that off switch resistances are not so low that they load your circuit, nor so high that they generate excessive voltage by blocking the current from an inductor or a current source.

Rules of operation

If $n1 < n2$ then

Switch is closed (ON) when

$$n1 \leq X \leq n2$$

Switch is open (OFF) when

$$X < n1 \text{ or } X > n2$$

If $n1 > n2$ then

Switch is open (OFF) when

$$n1 \geq X \geq n2$$

Switch is closed (ON) when

$$X > n1 \text{ or } X < n2$$

If the first character in the switch parameter is V:

The switch is a voltage-controlled switch.

X = voltage across the input nodes.

n1 and n2 are voltage values.

If the first character in the switch parameter is I:

The switch is a current-controlled switch.

X = current through the inductor placed across the input nodes.

n1 and n2 are current values.

If the first character in the switch parameter is T:

The switch is a time-controlled switch.

X = TIME.

n1 and n2 are values of the TIME variable.

If the switch is closed, the switch has a resistance of $\langle ron \rangle$. If the switch is open, the switch has a resistance of $\langle roff \rangle$.

Timer

SPICE format

There is no equivalent timer device in SPICE or PSpice.

Schematic format

PART attribute

<name>

Examples

T1

S2

INPUTEXPR attribute

<input expression>

Examples

V(1,2)>=1.3

I(R1)>=1ma AND I(R1)<=5ma

T>110ns AND V(3)>5

ELAPSED_SCALE attribute

<elapsed scale>

Examples

1E6

1

INCREMENT attribute

<increment>

Examples

-1

1

INITIAL attribute

<initial value>

Examples

0

16384

MIN attribute

<min>

Example2

0

-100

MAX attribute

<max>

Examples

16384

10

This device provides the following outputs:

- **Count:** The number of events since the beginning of the simulation run or the end of the last reset pulse.
- **Elapsed Time:** The elapsed time since an event occurred.
- **Last Time:** The last time an event occurred.

An event occurs whenever <input expression> evaluates to ≥ 1.0 .

<input expression> is typically a boolean expression defining the event condition such as $V(IN) \geq 3.4$.

Count is initially set to <initial value> when the simulation starts and whenever the voltage on the RESET pin exceeds 1.0.

Each time an event occurs, count is increased by <increment>. Count can be no smaller than <min> and no larger than <max>.

Pins: There are three pins, ELAPSED, COUNT, LAST. The pins are all outputs and are connected to voltage sources whose value reflects the elapsed time, count value, and last event time.

The value on the ELAPSED pin is:

(Elapsed simulation time since last event occurred) • <elapsed scale>

The value on the COUNT pin is:

$\langle \text{initial value} \rangle + (\text{Number of events since } T=t_{\text{min}} \text{ or last reset}) \cdot \langle \text{increment} \rangle$

The value on the LAST pin is the last simulation time (in secs) at which an event occurred.

Note the Reset pin resets only the COUNT value. It has no effect on the ELAPSED or LAST values.

See the sample file TIMER.CIR for an example of how to use the timer.

Transformer

Schematic format

PART attribute

<name>

Example

T1

VALUE attribute

<primary inductance>,<secondary inductance>,<coupling coefficient>

Example

.01,.0001,.98

The transformer component consists of two inductors with a mutual inductance between them. It is entirely equivalent to two discrete inductors and a linear K device defining a mutual inductance between them.

The coefficient of coupling is related to the mutual inductance by the following equation.

$$k = M / (LP*LS)^{0.5}$$

M is the mutual inductance.

k is the coefficient of coupling and $-1 \leq k \leq 1$.

LP is the primary inductance.

LS is the secondary inductance.

A resistive impedance of 1/GMIN is added between the positive input pin and the positive output pin to avoid DC convergence problems.

Transmission line

SPICE format

Ideal Line

T<name> <A port + node> <A port - node>
+<B port + node> <B port - node>
+[model name]
+ [Z0=<value> [TD=<value>] | [F=<value> [NL=<value>]]]

Example

```
T1 10 20 30 40 Z0=50 TD=3.5ns
T1 10 20 30 40 Z0=150 F=125Meg NL=0.5
T1 20 30 40 50 TLMODEL
```

Lossy Line

T<name> <A port + node> <A port - node>
+<B port + node> <B port - node>
+[<model name> [physical length]]
+[LEN=<len value> R=<rvalue> L=<lvalue> G=<gvalue>
+ C=<cvalue>]

Examples

```
T1 20 30 40 50 LEN=1 R=.5 L=.8U C=56PF
T3 1 2 3 4 TMODEL 12.0
```

Schematic format

PART attribute

<name>

Example

T1

VALUE attribute for ideal line

Z0=<value> [TD=<value>] | [F=<value> [NL=<value>]]

Example for ideal line

Z0=50 TD=3.5ns

VALUE attribute for lossy line

<physical length> LEN=<len value> R=<rvalue> L=<lvalue>
G=<gvalue> C=<cvalue>

Examples for lossy line
 LEN=1 R=.5 L=.8U C=56PF
 R=.5 L=.8U C=56PF

MODEL attribute
 <model name>

Example
 RELAY

Model statement form

.MODEL <model name> TRN ([model parameters])

Examples

.MODEL TIDEAL TRN(Z0=50 TD=10ns)
 .MODEL TLOSS TRN(C=23pF L=13nH R=.35 LEN=10)

Model parameters for ideal line

Name	Parameter	Units	Default
Z0	Characteristic impedance	Ohms	None
TD	Transmission delay	S	None
F	Frequency for NL	Hz	None
NL	Relative wavelength		0.25

Model parameters for lossy line

Name	Parameter	Units	Default
R	Resistance per unit length	Ohms / unit	None
L	Inductance per unit length	Henries / unit	None
G	Conductance per unit length	Mhos / unit	None
C	Capacitance per unit length	Farads / unit	None
LEN	Physical length	Same as RLGC	None

LEN, R, L, G, and C must use a common unit of length. For example, if C is measured in units of farads/cm, then R must be in ohms/cm, L must be in henrys/cm, G must be in mhos/cm, and LEN must be in centimeters.

Model Equations

The ideal and lossy lines are represented by the model shown in Figure 22-20. The principal difference between the two models is in the implementation of the delay. In the ideal model, the delay is implemented as a linked-list of data pairs (time,value) and breakpoints.

The lossy line implementation of the delay is quite different. It uses the SPICE3 convolution method to represent the line, producing an accurate representation of a lossy line. The method employed is to convolve the input waveform with the

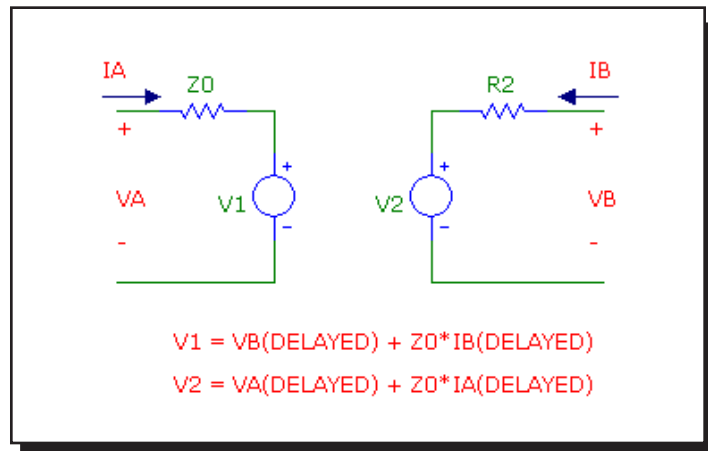


Figure 22-35 Transmission line model

impulse response of the lossy line to produce the output waveform. The impulse response is obtained from a presolved analytical formula. Presolved analytical solutions for the line impulse response are faster and more accurate than evaluating the inverse Fourier transform of the line's S plane representation. Convolution assures that any waveform can be handled, not just steps and linear ramps.

Note that only the RLC, RC, RG, and LC lines are supported. Nonzero values for R, L, C, and G specifying other line types will generate an error.

For both types of transmission lines, both VALUE and MODEL parameter descriptions may be given. VALUE parameters replace MODEL parameters and the final result is checked for adherence to the VALUE attribute syntax rules.

Note that either 'Z0' (Z -zero) or 'ZO' (Z-Oh) may be used in either the VALUE or MODEL parameters.

If the length modifier, *<physical length>*, is given, it overrides the model parameter LEN, if *<model name>* is used.

For examples of lossless transmission line circuits see the TL1, TL2, and TL3 circuits, and for a lossy transmission line circuit see the LTRA3 circuit.

User file source

Schematic format

PART attribute

<name>

Example

U1

FILE attribute

<file name>

Example

AMP.USR

EXPRESSION attribute

[expression]

Example

V(OUT) vs T

REPEAT attribute

[number]

Example

5

ENABLE_EXPR attribute

[enable_expression]

Examples

V(OUT)>3.2

Time>110ns

This is a voltage source whose curve comes from a text file. The curve is repeated *[number]* times in transient analysis and once in AC and DC analysis.

The files contain a header and N sequential lines, each with a variable number of data values:

Transient analysis:

Two data values per line: Time, Y X set to T

Three data values per line: Time, X, Y

AC:

Three data values per line: Frequency, Real(Y), Imag(Y) X set to Frequency

Five data values per line: Frequency, Real(X), Imag(X), Real(Y), Imag(Y)

DC: Three data values per line:

DCINPUT1, X, Y

where X is the X expression value, Y is the Y expression value, and


DCINPUT1 is the value of variable1.

User files may be created externally, or by saving one or more curves or waveforms after an analysis run. To save a particular waveform, press F10 to invoke the Plot Properties dialog box after the analysis is over and select the waveform to be saved from the Save Curves section of the dialog box.

When you place a user source in a schematic, MC9 reads the current data directory to find any files with the extension *.USR. It then reads the files themselves to see what waveforms are available for use. It presents the files and waveforms as items in drop-down lists in the FILE and EXPRESSION fields so you can easily select the file name and waveform expression.

Curves saved in user files can be displayed in an analysis by selecting them from the Curves section of the Variables list. To invoke this list, click the *right* mouse button in the Y Expression field. The X and Y parts of a waveform are stored as CurveX and CurveY, to let you select the X and Y parts independently.

If [*enable_expression*] is given, it gates the source. If it is not given, the source is always enabled. When [*enable_expression*] is true the waveform starts. If [*enable_expression*] becomes false, the source stays at its current output level.

See USER for an example of a simple source, USER2 for an example of two sources, and USER3 for an example of a triggered source. Click on Info , then on the source to examine the data file used by the source.

W (Current-controlled switch)

SPICE format

W<name> <plus output node> <minus output node>
+<controlling voltage source name> <model name>

Example

W1 10 20 V1 IREF

Schematic format

PART attribute

<name>

Example

W1

REF attribute

<controlling voltage source name>

Example

VSENSE

MODEL attribute

<model name>

Example

SW

The W switch can operate in two distinct operational modes, Smooth Transition (default) and Hysteresis.

Smooth Transition Mode:

Use this mode if you do not need input hysteresis. The smooth transition minimizes convergence problems. In this mode ION and IOFF are specified. IT and IH are ignored. The switch impedance changes smoothly from RON to ROFF as the control current moves from ION to IOFF and from ROFF to RON as the control current moves from IOFF to ION. If ION>IOFF the operation is reversed.

Hysteresis Mode:

Use this mode if you need input hysteresis and the circuit is not sensitive to con-

vergence problems. In the Hysteresis mode, IT and IH are specified. ION and IOFF are ignored. The switch impedance changes abruptly from RON to ROFF as the control current moves past IT+IH and from ROFF to RON as the control current moves past IT-IH. If ION>IOFF the operation is reversed.

This switch is controlled by the current through the source defined by *<controlling voltage source name>*.

RON and ROFF must be greater than zero and less than 1/Gmin.

Model statement form

.MODEL *<model name>* ISWITCH ([*model parameters*])

Examples

.MODEL W1 ISWITCH (RON=1 ROFF=1K ION=1 IOFF=1.5)

.MODEL W2 ISWITCH (RON=1 ROFF=1K IT=1 IH=1.5)

Model parameters

Name	Parameter	Units	Default
RON	On resistance	Ohms	1
ROFF	Off resistance	Ohms	1E6
ION	Control current for On state	A	.001
IOFF	Control current for Off state	A	0
IT	Threshold current	A	None
IH	Hysteresis current	A	None

Model Equations

- IC = Controlling current
- LM = Log-mean of resistor values = $\ln((RON \cdot ROFF)^{1/2})$
- LR = Log-ratio of resistor values = $\ln(ROFF/RON)$
- IM = Mean of control currents = $(ION + IOFF)/2$
- ID = Difference of control currents = $ION - IOFF$
- k = Boltzmann's constant
- T = Analysis temperature
- RS = Switch output resistance

Smooth Transition Mode: (Used if ION and IOFF are defined)

If ION > IOFF

 If IC >= ION

 RS = RON

 If IC <= IOFF

 RS = ROFF

 If IOFF < IC < ION

 RS = exp(LM + 3·LR·(IC-IM)/(2·ID) - 2·LR·(IC-IM)³/ID³)

If ION < IOFF

 If IC <= ION

 RS = RON

 If IC >= IOFF

 RS = ROFF

 If IOFF > IC > ION

 RS = exp(LM - 3·LR·(IC-IM)/(2·ID) + 2·LR·(IC-IM)³/ID³)

Hysteresis Mode:(Used if ION and IOFF are *not* defined)

If IC >= IT + IH

 RS = RON

If IC <= IT - IH

 RS = ROFF

Else

 RS remains unchanged

Noise effects

Noise is modeled as a resistor equal to the resistance found during the DC operating point. The thermal noise current is calculated as follows:

$$I = \text{sqrt}(4 \cdot k \cdot T / RS)$$

Z transform source

Schematic format

PART attribute

<name>

Example

E1

ZEXP attribute

<transform expression>

Example

$(.10*(Z+1)*(POW(Z,2)-.70*Z+1))/((Z-.56)*(POW(Z,2)-1.16*Z+.765))$

CLOCK FREQUENCY attribute

<clock frequency>

Example

24Khz

The Z transform source is a voltage source whose waveform is expressed as a complex Z variable expression. It behaves like a Laplace source with Z replaced by $EXP(S/\textit{<clock frequency>})$, where $S = j * 2 * \textit{PI} * F$, and F = frequency.

See the sample file ZDOMAIN.CIR for an example of how to use the source.

What's in this chapter

This chapter describes the Micro-Cap digital simulator. It begins with a general description of the digital simulation engine, delay models, digital states and strengths and then describes each of the digital primitives. The primitives are the basic building blocks used to model standard commercial parts. They are used extensively as modeling elements in the Digital Library. They may also be used as primitives in schematics or SPICE circuits.

This chapter discusses:

- The digital simulation engine
- Digital nodes
- Digital states
- Digital strengths
- Timing models
- Propagation delay
- Digital primitives
- The Analog/digital interface
- Digital stimulus devices
- Digital input D/A interface device
- Digital output A/D interface device
- Standard gates
- Tri-state gates
- Flip-flops and latches
- Delay lines
- Pullup and pulldown devices
- Programmable logic arrays
- Multi-bit A/D and D/A converters
- Digital behavioral functions
 - Logic expressions
 - Pin delays
 - Constraint checkers
- Stimulus generators

The digital simulation engine

Micro-Cap includes a general purpose, event-driven, digital logic simulator. It is completely integrated within and time-synchronized with the analog simulator.

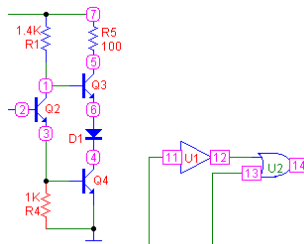
The primitives and behavior of a digital simulator can be defined in many ways. Micro-Cap uses the PSpice™ syntax since it is relatively efficient, widely known, and for many users, it means not having to relearn a new system. Micro-Cap and PSpice™ libraries can be read by either simulator, so portability between the two is improved as well. PSpice™ can't read Micro-Cap schematics, but it can read the Micro-Cap SPICE text circuit files. Micro-Cap can read most PSpice™ text circuit files. Most, but not all, features are supported.

Micro-Cap schematics and SPICE text file circuits may freely mix analog and digital circuits. The system automatically handles the interface between the analog and digital sections. Whenever analog and digital parts share the same node, MC9 automatically breaks the connection and inserts a user specified interface circuit between the two sections. The heart of the interface is an analog to digital interface translator (if the digital node was an input) or a digital to analog translator (if the digital node was an output). This automatic A/D interface is described in more detail later in the "Analog/digital interface" section of this chapter.

Digital nodes

Digital nodes are represented the same way as analog nodes. They may be referred to by node number or node *name*. Nodes are numbered automatically by MC9. Node names are assigned by the user by placing grid text on the node.

Digital node numbers are displayed on schematics inside sharp-cornered rectangles to reflect the angular look of digital waveforms. Analog node numbers use round-cornered rectangles to reflect the softer nature of analog waveforms.



Digital states

The state of a digital node is a combination of a digital level and a digital strength. Together the digital level and digital strength uniquely determine the digital state. The state is represented with one of the following symbols:

State	Description
0	Low
1	High
R	Rising (in transition from 0 to 1)
F	Falling (in transition from 1 to 0)
X	Unknown (level may be 0, 1, or unstable)
Z	High impedance (level may be 0, 1, R, F, X, or unstable)



Table 23-1 Digital states

Logic levels

These six symbols are used to describe what is happening on the digital nodes. The first five symbols, { 0, 1, R, F, X } describe logic levels at any strength greater than the high impedance strength. The 'Z' symbol describes any of the levels at the high impedance strength.

If a node state symbol is 'Z', then the strength of the output node is equal to the high impedance or 'Z' state. If the symbol is a '1', then the state is steady at a high level. If the symbol is a '0', then the state is steady at a low level. If the symbol is an 'R', then the state is rising to a '1'. If the symbol is an 'F', then the state is falling to a '0'. If the symbol is an 'X', then the state may be '0', '1', or unstable.

Logic levels correspond to a particular range of voltage, as defined in the I/O model statement. They do not correspond to a particular value of voltage. For instance, a '1' may be defined in the model statement as the voltage range 1.7 to 7.0 volts. If the digital node makes a transition between a '0' and a '1' then the implied analog voltage may be said to be "at least 1.7 volts", but it may be higher. Digital modeling involves an abstraction that trades information in exchange for simplicity and speed of simulation.

Logic strengths

When two or more digital outputs are connected together at a common node, the simulator determines the state of the common node as follows:

- If the levels from all outputs are the same, then:

The new level is the common level and the strength is equal to the strength of the strongest node.

- If the levels from all outputs are not the same, then:

If the strength of the strongest output exceeds the strength of the next strongest output by at least DIGOVRDRV, then the level and strength of the strongest output are assigned to the common node.

Otherwise, the common node level is set to 'X' and the strength is set to the strength of the strongest output.

The weakest strength is called the high impedance or 'Z' strength. It is defined by the value of DIGDRVZ. Any output, tri-state or otherwise, will be set to the 'Z' state if its impedance is equal to or greater than DIGDRVZ.

The strongest strength, defined by DIGDRVF, is called the forcing impedance.

The strengths of a device's outputs are defined by the device's output impedance. The impedance is either DRVH or DRVL depending upon whether the output is high or low. DRVH and DRVL are obtained from the I/O model statement for the device. DRVH and DRVL are constrained to be in the following range:

$$\text{DIGDRVF} \leq \text{Impedance} \leq \text{DIGDRVZ}$$

This range defines a logarithmic scale. The scale includes 64 strengths that run from an impedance of DIGDRVZ and a strength of 0 to an impedance of DIGDRVF and a strength of 63. Before the simulation run starts, the DRVH and DRVL impedances of each output are assigned a strength from 0 to 63, based upon where their impedance falls on the scale from DIGDRVF to DIGDRVZ. The strengths are calculated as follows:

$$\text{LZ} = \ln(\text{DIGDRVZ})$$

$$\text{LF} = \ln(\text{DIGDRVF})$$

$$\text{DRVH_STRENGTH} = 63 \cdot (\ln(\text{DRVH}) - \text{LZ}) / (\text{LF} - \text{LZ})$$

$$\text{DRVL_STRENGTH} = 63 \cdot (\ln(\text{DRVL}) - \text{LZ}) / (\text{LF} - \text{LZ})$$

During the simulation run, each output is assigned the DRVH or the DRVL strength based upon its current state.

DIGOVRDRV, DIGDRVF, and DIGDRVZ are specified in the Global Settings dialog box and can be changed for a particular circuit with the .OPTIONS command.

Tri-state outputs

A common situation where multiple strengths help in modeling is the tri-state bus. In this situation many tri-state devices are connected to a common node. Each has an enable pin. If the enable pin is disabled, the output impedance is DIGDRVZ and the strength is 0. Typically, all outputs but one will be disabled and their strengths will be 0. One output will be enabled and its strength will be greater than 0 and hence the output state will be determined by the one enabled output. It is important to remember that the DRVH or DRVL of the enabled output must still exceed the DIGDRVZ by DIGOVRDRV to control the node state.

Open-collector outputs

Another situation where multiple strengths help is in the modeling of open collector outputs. In this situation, many devices are connected to a common node. Each might typically have impedances of DRVL=100 and DRVH = 20K. A single PULLUP device is connected to the common node. It provides a weak '1' of typically 1K. If any output is a '0', then its strength is sufficient to overcome the weak PULLUP '1' strength (1K) and the even weaker 'Z' strength (20K) of the other output devices. The output becomes a '0'. If all outputs are at a '1' at Z strength (20K), then the PULLUP provides a '1' at higher than Z strength and the output goes to a '1'.

Timing models

All digital primitives except PULLUP, PULLDN, CONSTRAINT, and PINDLY, employ a timing model statement whose parameters specify the various timing characteristics unique to the part. The general types of parameters include propagation delay, pulse width, setup time, hold time, and switching time. The parameter names are constructed from a standard set of abbreviations:

TP	Propagation delay
TW	Pulse width
TSU	Setup time
THD	Hold time
TSW	Switching time
MN	Minimum
TY	Typical
MX	Maximum
LH	Low to high transition
HL	High to low transition
ZL	Z to low transition
ZH	Z to high transition
LZ	Low to Z transition
HZ	High to Z transition

Here are some examples:

TPLHMN: Minimum propagation delay for a low to high transition for standard and tri-state gates.

TWPCLTY: Typical JKFF prebar or clearbar width at the low state. Here the P of the prebar pin name and the C of the clearbar pin name are integrated into the parameter name.

THDCLKMN: Minimum hold time for J and K or D inputs after the active CLK transition.

This is an example of a timing model statement for a standard gate:

```
.MODEL DL_01 UGATE (TPLHMN=8NS TPLHTY=11NS  
+ TPLHMX=13NS TPLHMN=6NS TPLHTY=9NS TPLHMX=12NS)
```

Unless otherwise noted, all timing parameters have a default value of zero.

Unspecified propagation delays

The timing model syntax provides minimum, typical, and maximum values for each propagation delay parameter. The names of these parameters always begin with 'TP'. Data books often specify only one or two of these parameters. Since the logic simulator can't just assume a default value of zero for unspecified parameters, it calculates them according to the following rules:

If the typical value is specified:

If the minimum value is unspecified:

$$TPXXMN = DIGMNTYSCALE \cdot TPXXTY$$

If the maximum value is unspecified:

$$TPXXMX = DIGTYMXSCALE \cdot TPXXTY$$

If the typical value is not specified:

If the minimum and maximum values are both specified:

$$TPXXTY = (TPXXMN + TPXXMX) / 2$$

If only the minimum value is specified:

$$TPXXTY = TPXXMN / DIGMNTYSCALE$$

If only the maximum value is specified:

$$TPXXTY = TPXXMX / DIGTYMXSCALE$$

If none of the values are specified, then obviously:

$$TPXXMN = TPXXTY = TPXXMX = 0$$

Default values of the parameters DIGMNTYSCALE and DIGTYMXSCALE are specified from the Global Settings dialog box. The default value is used unless it is changed in a particular circuit with the .OPTIONS command. For example:

```
.OPTIONS DIGMNTYSCALE=.35
```

Placing this command in a circuit changes its DIGMNTYSCALE value only.

Note that these rules apply only to propagation delay parameters.

Unspecified timing constraints

Timing constraints include pulse widths and setup and hold times. Typical and maximum values for these timing constraints are frequently missing from data books. Unlike propagation parameters, these missing values cannot be obtained by a simple scaling procedure. Instead, the simulator calculates the missing values according to the following procedure:

If the minimum value is not specified:

$$\text{minimum} = 0$$

If the maximum value is not specified:

If the typical value is specified:

$$\text{maximum} = \text{typical}$$

If the minimum value is specified:

$$\text{maximum} = \text{minimum}$$

If the typical value is not specified:

$$\text{typical} = (\text{maximum} + \text{minimum})/2$$

Note that a parameter is unspecified if it is missing from the model statement. For example, a model statement with unspecified parameters looks like this:

```
.MODEL TOR UGATE ( )
```

Another approach is to include the unspecified parameters and set them equal to the special value, -1, as a way of signalling to the generation routines that they are to be considered unspecified. This form of model statement looks like this:

```
.MODEL TOR UGATE ( TPLHMN=-1 TPLHTY=-1 TPLHMX=-1  
+ TPHLMN=-1 TPHLTY=-1 TPHLMX=-1 )
```

Any parameter set equal to -1 is treated as unspecified and thus calculated from the other parameters according to the above rules. Having the names of unspecified parameters readily available is a convenient memory aid in case they need to be modified.

Propagation delays

Loading delays

The propagation delay through a digital device is specified mainly in the timing model through the propagation delay parameters. The I/O model can also affect the propagation delay through the loading delay. The two loading delays (low to high and high to low) are calculated from the capacitive loading on the node prior to the simulation run. The capacitive load is derived from the I/O models for the devices that are connected to the node. The total capacitive load is obtained from the sum of all INLD values from devices whose inputs are connected and OUTLD values from devices whose outputs are connected. The total capacitive load is assumed to be driven by the device's driving impedances, DRVH or DRVL. The two loading delays are calculated for each device as follows:

$$\text{Loading delay low to high} = \ln(2) \cdot \text{DRVH} \cdot \text{CTOTAL}$$

$$\text{Loading delay high to low} = \ln(2) \cdot \text{DRVL} \cdot \text{CTOTAL}$$

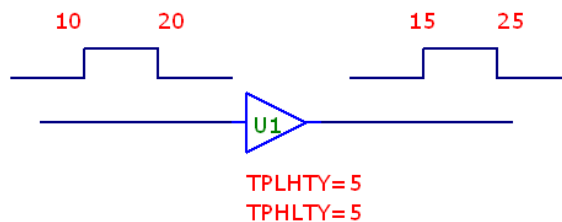
During the simulation, one of these delays, depending upon the transition, is added to the timing model delay when an event is scheduled.

Inertial delays

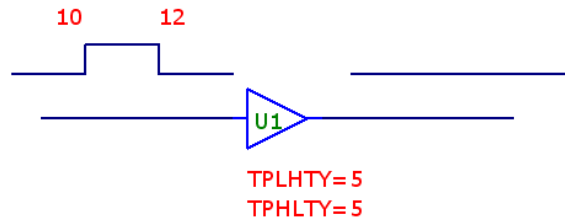
Micro-Cap models all delays except those of the DLYLINE on the inertial model. Inertial delay models work on the physical principle that a signal must be impressed upon a device for a certain minimum time before the device will respond. The principle can be summarized as follows:

If the pulse width is less than the delay the pulse is cancelled.

In this circuit, the pulse width is 10. That is greater than the delay of 5, so the pulse will pass:



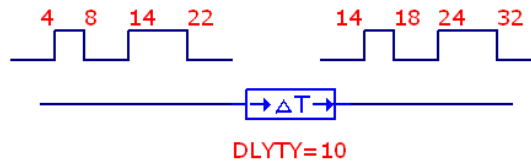
In this example, the pulse width is 2. Since that is less than the specified delay of 5, the pulse is inertially cancelled.



Inertial cancellation can be turned off from the Preferences dialog box.

Transport delays

The alternative to inertial delay is transport delay. In this delay model, all signals are passed, regardless of the pulse duration. For example, this circuit passes all pulses, even though they are less than the specified delay.



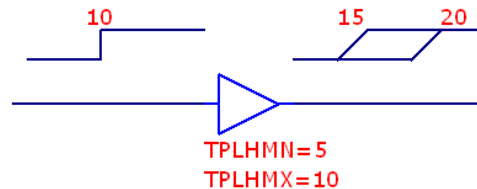
This type of delay is useful when you want to shift a signal by some fixed delay value without removing any of its narrow pulses. Only the DLYLINE device uses transport delay. All delay parameters of all other devices are treated as inertial, except when inertial cancellation is disabled.

Digital delay ambiguity

Digital devices contain model parameters that specify a minimum, typical, and a maximum value for each timing value. The MNTYMXDLY parameter can be used to specify which of the delays to use:

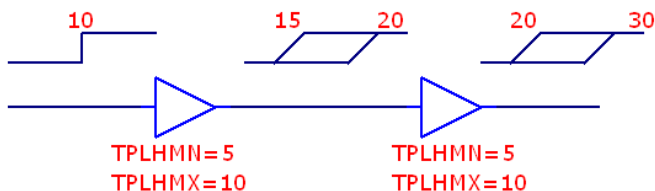
MNTYMXDLY	Meaning
0	Set MNTYMXDLY = DIGMNTYMX
1	Use minimum delays
2	Use typical delays
3	Use maximum delays
4	Use worst-case (both minimum and maximum) delays

When worst-case delays are used, the simulator produces an ambiguous region between the minimum and maximum delays that represents the period of time when the signal is changing. The signal cannot be said to be in the old state or the new state, it is merely in transition between the two states. This ambiguity region is represented by a rising or a falling state. For example, in this circuit, the input changes from a '0' to a '1' at 10.

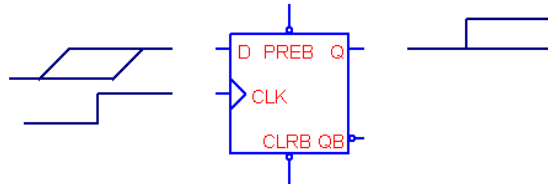


If MNTYMXDLY is 4, the resulting worst-case run produces a rising state at 15 since the minimum low to high delay is 5. The "TPLHMN=5" says that the delay is at least 5. It may be more. The "TPLHMX=10" says that the delay is at most 10. It may be less. The rising state between 15 and 20 reflects the uncertainty.

Ambiguity regions can accumulate as the signal passes through a succession of devices. For example, in this circuit the rising state ambiguity region increases as the signal passes through the two buffers.

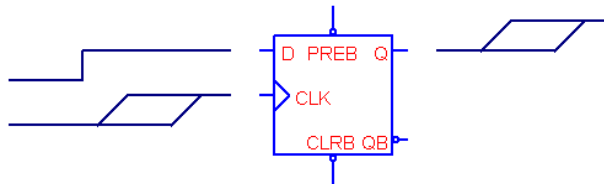


Ambiguity can do more than just fuzz up the signal edges. It can catastrophically alter simulation results. In the circuit below, the ambiguous D input signal makes the output 'X' since there are two possible outcomes. If the clock completes its rise before the D input changes, the Q output remains '0'. If the clock completes its rise after the D input changes, the new '1' state is loaded and the Q output becomes '1'.



Since there are two possible opposite states for Q depending upon when the D input changes, the Q output is assigned 'X' to reflect the uncertainty.

Rising inputs do not necessarily generate 'X' results. If the CLK input samples while the D input is stable, then there is no ambiguity and the Q output is known. This is true even if the CLK input is 'R', as in this example.



Timing hazards

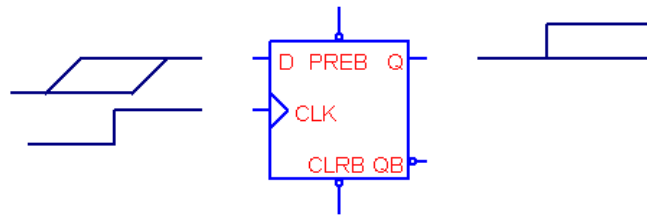
If the exact arrival times of the inputs to a digital device are unknown, the output may glitch or be set to 'X'. This condition is referred to as a timing hazard.

There are several types of hazards, including:

- Convergence hazards
- Cumulative ambiguity hazards
- Critical hazards

Convergence hazards

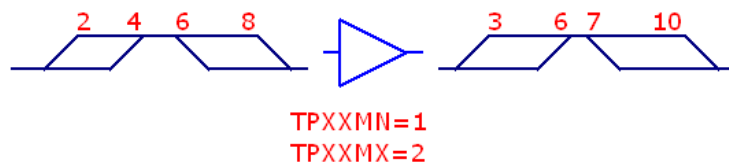
A convergence hazard occurs when two signals converge to the inputs of a gate and there is overlapping uncertainty in their arrival times, as in this example. This hazard could be represented as a 0-X-0 transition or as a 0-R-0 transition. We represented it as a 0-R-0 transition to match the usual representation of the



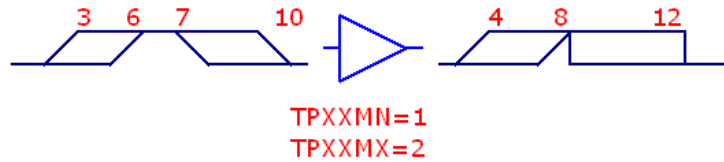
hazard. It should be interpreted as a possible short pulse, extending no longer than the overlap of the uncertainty portions of the two input signals.

Cumulative ambiguity hazards

Digital worst-case timing is activated when a gate's MNTYMXDLY value is set to 4. In this case the simulator adds an 'R' state between the specified minimum delay and maximum delay at each 0-1 and 0-R transition and an 'F' state between the specified minimum delay and maximum delay at each 1-0 and 1-F transition. As a signal passes through a gate with worst-case timing specified, the uncertainties of its transitions increase, as in this example:



As the signal passes through additional stages, the uncertainties can accumulate to the point where parts of the signal are ambiguous, as in this example:



At 7, the simulator attempts to schedule the 'F' state at 8 (7+1). But the '1' state is already scheduled to occur on the output at 8 (6+2). Since this is ambiguous, the simulator signals a hazard with an 'X' at 8.

Cumulative ambiguity is a particular problem with circuits that feed an inverted gate output back to its input to create an oscillator. In such cases, the MNTYMX-DLY parameter of the oscillator gate should be set to something other than 4 (worst-case), to stop the signal destruction.

Critical hazards

Convergence and ambiguity hazards indicate potential problems. They may or may not cause a problem in the circuit. If the hazard causes a flip-flop or other storage device to store incorrect data, then they become critical hazards, since they will almost certainly cause a failure in the circuit.

The analog/digital interface

When a digital node and an analog node are connected together in a circuit, the program breaks the connection and inserts between the two parts an interface circuit specified by the I/O model. This interface circuit contains analog devices like resistors, capacitors, diodes, and transistors. It also contains either an analog to digital or digital to analog interface device. These devices provide the fundamental translation between the analog and digital circuits.

In addition, the simulator generates an analog power supply circuit to drive the interface circuits, as specified in the I/O model. The I/O model statement parameter, `IO_LEVEL`, selects one of four possible interface circuits to use. It is also possible to change the digital power supply used in the interface circuit by modifying the power supply subcircuit.

The simulator also creates additional nodes at the interface between analog and digital circuits. The creation and naming of these nodes is important to understand if you want to plot or print their values.

Nodes

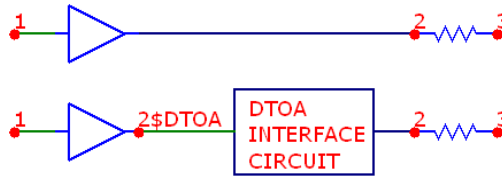
There are only two types of nodes, analog and digital. When an analog node is connected to a digital node, what happens? MC9 breaks the connection and adds an interface circuit between the two parts. The interface circuit is selected from the I/O model based upon the value of the `IO_LEVEL` attribute. The selection is based upon the following:

Level	Subcircuits	Behavior
1	AtoD1/DtoA1	AtoD creates R, F, and X levels
2	AtoD2/DtoA2	AtoD doesn't create R, F, and X levels
3	AtoD3/DtoA3	Same as Level 1
4	AtoD4/DtoA4	Same as Level 2

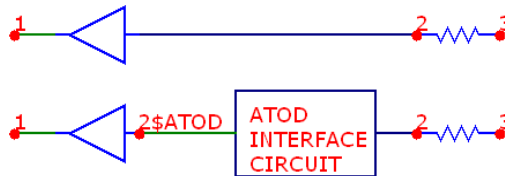
Table 23-2 Digital interface subcircuits

If an analog node is connected to a digital output, then a DtoA subcircuit is used. If an analog node is connected to a digital input, then an AtoD subcircuit is used. If an analog node is connected to both a digital input and a digital output then a

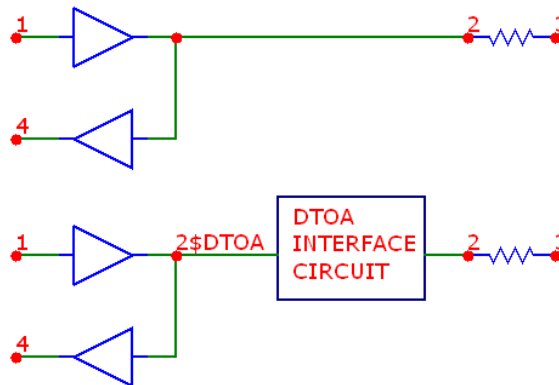
DtoA interface circuit is used. These cases are shown below.



When the digital node is an output node, a new digital node, 2\$DTOA, is created and assigned to the digital output, and the DTOA interface circuit, specified by the I/O model statement IO_LEVEL parameter, is inserted between the new digital output node and the analog node.



When the digital node is an input node, a new digital node, 2\$ATOD, is created and assigned to the digital input, and the ATOD interface circuit, specified by the I/O model statement IO_LEVEL parameter, is inserted between the new digital input node and the analog node.



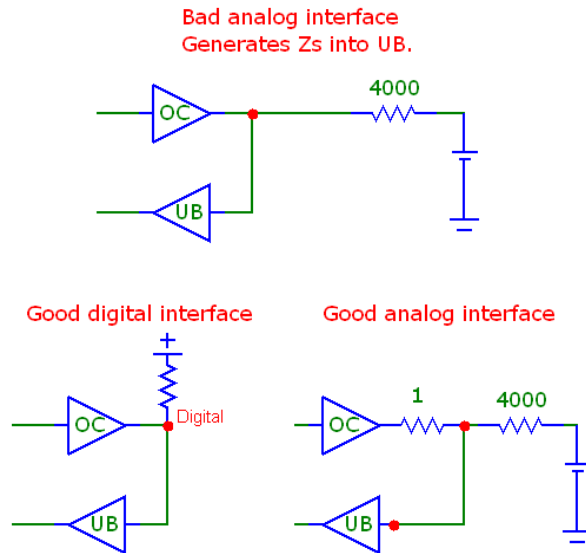
When an analog node is connected to a digital node with both input and output pins connected to it, a new digital node, 2\$DTOA, is created and assigned to the digital node. An interface circuit is inserted between the new digital node and the analog node.

Tri-state interface caveat

When you have a digital node with input and output pins connected to it as in the last example, and the digital output comes from a tristate or open collector device, placing an analog resistor at the node will result in Z states entering the digital input. This happens because the output of the resistor does not drive the digital input, so no pullup or pulldown action can occur. To avoid this problem always follow the golden tri-state rule.

Use a digital pullup or pulldown device at tri-state nodes. Do not use an analog resistor. If you must use an analog resistor, separate the digital output from the digital input by a small value resistor.

The situation is summarized in the figure below:



Interface circuits

The I/O model parameter `IO_LEVEL` specifies which of the four possible interface circuits to use according to the table. If `IO_LEVEL` is 0, then the interface circuit will be selected by the value of the Global Settings parameter `DIGIOLVL`.

Level 1 Interface circuits

The level 1 interface circuits generate the intermediate logic levels (R, F, X) between the voltage ranges `VILMAX` and `VIHMIN`. A voltage that ramps smoothly from below `VILMAX` to above `VIHMIN` and back again, will generate the sequence 0, R, 1, F, 0. An X is generated if the voltage starts in the `VILMAX - VIHMIN` region, or the voltage reverses in the `VILMAX - VIHMIN` region and crosses a previously crossed threshold. The level 1 interface circuits are more accurate than level 2 circuits.

Level 2 Interface circuits

The level 2 interface circuits generate only the logic levels (0, 1). An exact switching voltage is assumed. These interface circuits are less accurate but generate no uncertain states (R, F, X) that could potentially cause simulation problems.

Level 3 and Level 4 Interface circuits. These are equivalent to Level 1 and Level 2, respectively, and are not currently used in the standard digital library.

Power supply circuits

When an analog node and a digital node are connected together, and an ATOD or DTOA interface is required, the circuit needs a power supply. The power supply is created automatically using the parameter `DIGPOWER` from the I/O model statement for a particular digital family, such as 7400 TTL. This parameter specifies the name of the power supply subcircuit to use. The main power supply subcircuit is called "DIGIFPWR". This subcircuit provides the voltage sources and power pins needed by the interface circuits. You can, of course, change the power supply circuit by specifying another subcircuit name, or by altering the "DIGIFPWR" subcircuit itself. We recommend leaving the original "DIGIFPWR" subcircuit intact, and cloning new versions, with related names such as "DIGIFPW1". This lets you easily revert to the old version by simply changing the `DIGPOWER="DIGIFPWR"` part of the I/O model statement. The I/O model statements are located in the `DIGIO.LIB` model library file.

The DIGIO.LIB model library file

This file contains the I/O model statements, ATOD and DTOA interface circuits, ATOD (O device) and DTOA (N device) model statements, and power supply circuits for the entire Digital Library.

General digital primitive format

The digital device format is similar to the general SPICE component format. Both analog and digital primitives require node numbers, optional parameters, and model statements. Analog devices use at most a single model statement. Digital devices require a timing model statement and an I/O model statement.

Timing model statements define propagation delays and timing constraints. I/O model statements define the impedances, equivalent circuits, and switching times of the analog/digital interface model. The I/O model is mainly used when a digital node is connected to an analog node, but it also defines the impedances used to resolve states when device outputs of differing strengths are wired together.

Timing model statements embody data unique to each device, so most devices have unique timing model statements. The same is not true of I/O models since the interface is generally standardized for all devices within a particular digital family. For example, all 74LS devices use the same interface specification.

General format

```
U<name> <primitive type> [(<parameter value>*)]  
+<digital power node> <digital ground node> <node>*  
+<timing model name> <I/O model name>  
+[MNTYMXDLY=<delay select value>]  
+[IO_LEVEL=<interface subcircuit select value>]
```

Examples

```
U1 JKFF(1) $G_DPWR $G_DGND PR CLB CKB J K Q QB D0_74 IO_STD  
U1 NOR(3) $G_DPWR $G_DGND 10 20 30 40 D0_74 IO_STD
```

Definition

U<name>

This is the part name.

<primitive type>

The <primitive type> specifies which of the primitive digital types, such as NAND, NOR, JKFF, or PLA, the part is.

[(<parameter value>*)]

Depending upon the <primitive type>, these are zero or more parameters representing the number of input and/or output nodes.

<digital power node> <digital ground node>

These nodes provide power to the A/D interface circuits employed when an analog node is connected to a digital node. Usually the global pins \$G_DPWR and \$G_DGND are used. Refer to the section, "The analog/digital interface" for more information.

*<node>**

Depending upon the primitive type, these are the node names of the actual input and/or output node numbers.

<timing model name>

This name refers to a timing model statement, which specifies propagation and constraint timing values. Each model has minimum, typical, and maximum values for each timing parameter. The MNTYMXDLY device parameter selects one of the values or it lets DIGMNTYMX select one globally.

<I/O model name>

This name refers to an I/O model statement which specifies impedance and interface circuit information for modeling the analog/digital interface.

[MNTYMXDLY=*<delay select value>*]

This value selects the minimum, typical, or maximum value for each timing parameter as follows:

0=Current value of DIGMNTYMX

1=Minimum

2=Typical

3=Maximum

4=Worst case. Use both minimum and maximum delays.

[IO_LEVEL=*<interface subcircuit select value>*]

This selects one of four interface circuits named in the I/O model. These interface circuits are used at the digital/analog interface. Refer to the I/O model topic at the end of this chapter for more information.

Timing model form

.MODEL *<model name>* *<model type>* (*<model parameters>**)

Each *primitive type* has a unique *<model type>* and *<model parameters>*.

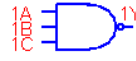
I/O model form

.MODEL *<model name>* UIO (*<model parameters>**)

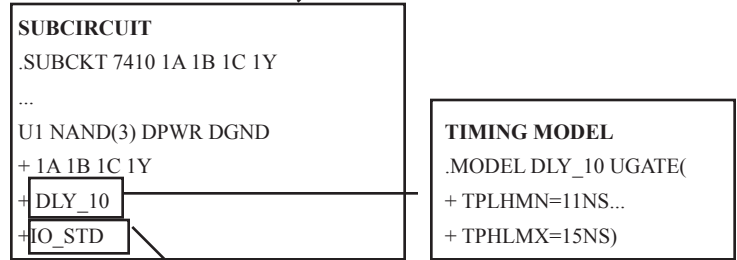
There is one I/O model structure that is used by all primitives.

Parts from the Digital Primitives section need the I/O and Timing model information to be specified when the part is placed in the schematic. Digital Library section parts are modeled as subcircuits and have the requisite I/O and Timing model information pre-defined in a subckt located in a DIGXXXX.LIB text file library. The models are linked to their I/O and timing models as follows:

7410 schematic part



The 7410 SUBCKT and TIMING models are in the DIG000.LIB referenced by the implicit .LIB NOM.LIB statement.



The I/O model statement, the ATOD and DTOA interface circuits, and the O and N model statements are found in the DIGIO.LIB referenced by the implicit .LIB NOM.LIB statement.

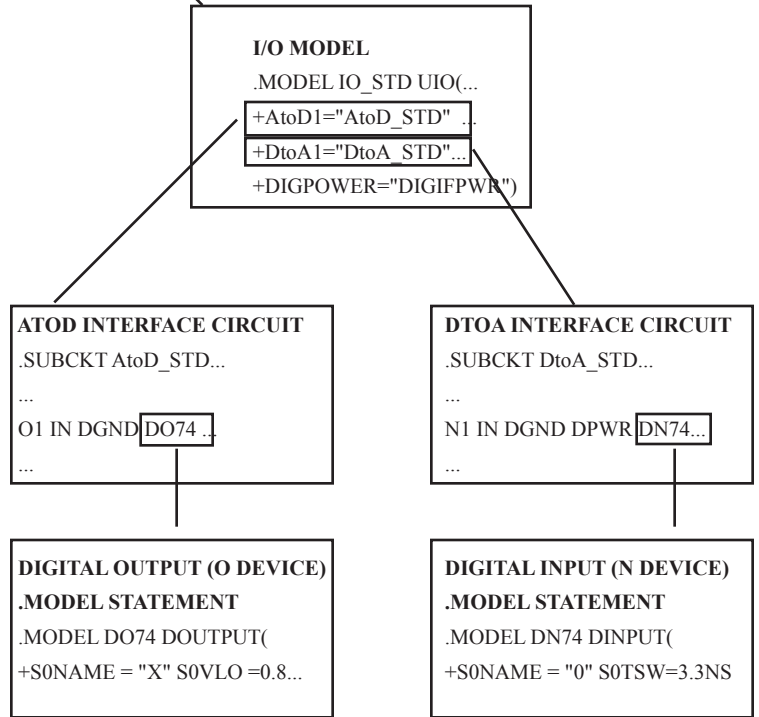


Figure 23-1 Digital Model References

Primitives

Digital primitives are as follows:

Primitive Class	Type	Description
Standard Gates	BUF	Buffer
	INV	Inverter
	AND	AND gate
	NAND	NAND gate
	OR	OR gate
	NOR	NOR gate
	XOR	Exclusive OR
	NXOR	Exclusive NOR
	BUFA	Buffer array
	INVA	Inverter array
	ANDA	AND gate array
	NANDA	NAND gate array
	ORA	OR gate array
	NORA	NOR gate array
	XORA	Exclusive OR gate array
	NXORA	Exclusive NOR gate array
	AO	AND-OR compound gate
	OA	OR-AND compound gate
	AOI	AND-NOR compound gate
	OAI	OR-NAND compound gate

Table 23-3A Digital primitives

Primitive Class	Type	Description
Tri-state Gates	BUF3	Buffer
	INV3	Inverter
	AND3	AND gate
	NAND3	NAND gate
	OR3	OR gate
	NOR3	NOR gate
	XOR3	Exclusive OR
	NXOR3	Exclusive NOR
	BUF3A	Buffer array
	INV3A	Inverter array
	AND3A	AND gate array
	NAND3A	NAND gate array
	OR3A	OR gate array
	NOR3A	NOR gate array
XOR3A	Exclusive OR array	
NXOR3A	Exclusive NOR array	
Flip-flops / Latches	JKFF	JK negative-edge triggered
	DFF	D positive-edge triggered
	SRFF	SR gated latch
	DLTCH	D gated latch

Table 23-3B Digital primitives (continued)

Primitive Class	Type	Description
Pullups / Pulldowns	PULLUP	Pullup resistor array
	PULLDN	Pulldown resistor array
Delay Lines	DLYLINE	Non-inertial delay line
Programmable Logic Arrays	PLAND	AND array
	PLOR	OR array
	PLXOR	Exclusive OR array
	PLNXOR	Exclusive NOR array
	PLNAND	NAND array
	PLNOR	NOR array
	PLANDC	AND array plus complement
	PLORC	OR array plus complement
	PLXORC	XOR array plus complement
	PLNANDC	NAND array plus complement
	PLNORC	NOR array plus complement
	PLNXORC	NXOR array plus complement
	Multi-bit Converters	ADC
DAC		Multi-bit DTOA converter
Behavioral Models	LOGICEXP	Logic expression
	PINDLY	Pin-to-pin delay
	CONSTRAINT	Constraint checker

Table 23-3C Digital primitives (continued)

Gates

Two types of gates are provided:

Standard gates: Their outputs are always enabled. The output impedance is:

Output State	Impedance
0	DRVL (from I/O model)
1	DRVH (from I/O model)

Tri-state gates: Their outputs are enabled by an enable pin. The output impedance depends upon the enable state:

Enable state	Output State	Impedance
1	0	DRVL (from I/O model)
1	1	DRVH (from I/O model)
0	Z	DIGDRVZ

DIGDRVZ is the impedance which corresponds to the Z state. It is specified in the Global Settings dialog box or by a .OPTIONS statement. DRVH and DRVL come from the I/O model.

Gates come in two forms, *simple* and *arrays*. *Simple* gates have one or more inputs, but only one output. *Arrays* contain one or more simple gates, with one output per simple gate. *Note that arrays of gates are available for use only in SPICE text circuits or SPICE text subckt libraries. Schematic gates are always simple.*

The usual Boolean rules apply to these gates. If an input state is X, the output is calculated for an input of 1 and an input of 0. If the output state differs for these two calculations, then the output is X. This avoids propagating pessimistic X states. This definition of the X state results in the following identities:

0 AND X = 0	0 NOR X = X
1 AND X = X	1 NOR X = 0
0 NAND X = 1	1 XOR X = X
1 NAND X = X	0 XOR X = X
0 OR X = X	
1 OR X = 1	

Standard gates

SPICE format

```
U<name> <gate type>[(<parameters>)*]  
+<digital power node> <digital ground node>  
+<input node>* <output node>*  
+<timing model name> <I/O model name>  
+[MNTYMXDLY=<delay select value>]  
+[IO_LEVEL=<interface subckt select value>]
```

Examples:

A 5 input NOR gate:

```
U1 NOR(5) $G_DPWR $G_DGND IN1 IN2 IN3 IN4 IN5 OUT  
D0_GATE IO_STD MNTYMXDLY=0 IO_LEVEL=2
```

A 3 gate NAND array with 2 inputs per gate:

```
U17 NANDA(2,3) $G_DPWR $G_DGND 1A 1B 2A 2B 3A 3B O1 O2 O3  
DLY1 IO_ACT
```

An AND-OR compound gate having 2 input gates with 3 inputs per gate:

```
UCMPD AO(3,2) $G_DPWR $G_DGND i1a i1b i1c i2a i2b i2c out  
dlymod io_hc_oc MNTYMXDLY=3
```

Schematic format

PART attribute

<name>

Example

U1

TIMING MODEL attribute

<timing model name>

Example

74LS

I/O MODEL attribute

<I/O model name>

Example

IO_STD

MNTYMXDLY attribute

<delay select value>

Example

2

IO_LEVEL attribute

<interface subckt select value>

Example

1

POWER NODE attribute

<digital power node>

Example

\$G_DPWR

GROUND NODE attribute

<digital ground node>

Example

\$G_DGND

Model statement form

.MODEL <timing model name> UGATE ([model parameters])

Example

.MODEL TOR UGATE (TPLHMN=3ns TPLHTY=5ns TPLHMX=7ns
+ TPHLMN=4ns TPHLTY=6ns TPHLMX=7ns)

The standard gate types and their parameters are shown in Table 23-4. The table uses the standard syntax:

in	one input node
in*	one or more input nodes
out	one output node
out*	one or more output nodes

The phrase <# of inputs> means the number of inputs per gate. The phrase <# of gates> means the number of gates in the array.

Type	Parameters	Nodes	Description
BUF		in, out	Buffer
INV		in, out	Inverter
AND	<no. of inputs>	in*, out	AND gate
NAND	<no. of inputs>	in*, out	NAND gate
OR	<no. of inputs>	in*, out	OR gate
NOR	<no. of inputs>	in*, out	NOR gate
XOR		in1, in2, out	Exclusive OR gate
NXOR		in1, in2, out	Exclusive NOR gate
BUFA	<no. of gates>	in*, out*	Buffer array
INVA	<no. of gates>	in*, out*	Inverter array
ANDA	<no. of inputs>, <no. of gates>	in*, out*	AND array
NANDA	<no. of inputs>, <no. of gates>	in*, out*	NAND array
ORA	<no. of inputs>, <no. of gates>	in*, out*	OR array
NORA	<no. of inputs>, <no. of gates>	in*, out*	NOR array
XORA	<no. of gates>	in*, out*	Exclusive OR array
NXORA	<no. of gates>	in*, out*	Exclusive NOR array
AO	<no. of inputs>, <no. of gates>	in*, out	AND-OR compound gate
OA	<no. of inputs>, <no. of gates>	in*, out	OR-AND compound gate
AOI	<no. of inputs>, <no. of gates>	in*, out	AND-NOR compound gate
OAI	<no. of inputs>, <no. of gates>	in*, out	OR-NAND compound gate

Table 23-4 Standard gate types

Input nodes are listed before output nodes. In a gate array, the node order is: the input nodes for the first gate, the input nodes for the second gate,..., the input nodes for the final gate, the output node for the first gate, the output node for the second gate,..., the output node for the final gate. The number of output nodes is equal to the number of gates.

A compound gate contains two levels of logic. The phrase *<no. of inputs>* is the number of inputs per first-level gate, and *<no. of gates>* is the number of first-level gates. All of the first-level gate outputs are connected to one second-level gate, so the device only has one output. The node order is: the input nodes for the first first-level gate,..., the input nodes for the final first-level gate, and the output node. For an OA gate, the first-level gates are *<no. of inputs>* input OR gates, and they all feed into one AND gate, which produces the output.

Parameter	Description	Units
TPLHMN	Delay: min low to high	sec
TPLHTY	Delay: typ low to high	sec
TPLHMX	Delay: max low to high	sec
TPHLMN	Delay: min high to low	sec
TPHLY	Delay: typ high to low	sec
TPHLMX	Delay: max high to low	sec

Table 23-5 Standard gate timing model parameters

Special Component editor fields

Inputs *<number of inputs>*

The Component editor has a special 'Inputs' field for standard gates. It lets you specify the number of gate inputs. When you enter a value, the system places an output pin and the specified *<number of inputs>* pins on the display and you must drag them into place on the shape.

Tri-state gates

SPICE format

```
U<name> <tri-state gate type>[(<parameters>*)]  
+<digital power node> <digital ground node>  
+<input node>* <enable node> <output node>*  
+<timing model name> <I/O model name>  
+[MNTYMXDLY=<delay select value>]  
+[IO_LEVEL=<interface subckt select value>]
```

Examples:

A 3 input tri-state NOR gate:

```
U20 NOR3(3) $G_DPWR $G_DGND IN1 IN2 IN3 ENABLE OUT  
D0_GATE IO_STD MNTYMXDLY=0 IO_LEVEL=2
```

A 3 gate tri-state AND array with 2 inputs per gate:

```
UBX AND3A(2,3) $G_DPWR $G_DGND 1A 1B 2A 2B 3A 3B EN O1 O2 O3  
DLY1 IO_ACT
```

Schematic format

PART attribute

<name>

Example

U1

TIMING MODEL attribute

<timing model name>

Example

74ALS

I/O MODEL attribute

<I/O model name>

Example

IO_STD

MNTYMXDLY attribute

<delay select value>

Example

1

IO_LEVEL attribute

<interface subckt select value>

Example

1

POWER NODE attribute

<digital power node>

Example

\$G_DPWR

GROUND NODE attribute

<digital ground node>

Example

\$G_DGND

Model statement form

.MODEL <timing model name> UTGATE ([model parameters])

Example

.MODEL TRIG UTGATE (TPLHMN=2ns TPLHTY=3ns TPLHMX=5ns
+ TPZLMN=4ns TPZLTY=6ns TPZLMX=8ns)

The tri-state gate types and their parameters are shown in Table 23-6. The table uses the standard syntax:

en	one enable node
in	one input node
in*	one or more input nodes
out	one output node
out*	one or more output nodes

Type	Parameters	Nodes	Description
BUF3		in, en, out	Buffer
INV3		in, en, out	Inverter
AND3	<no. of inputs>	in*, en, out	AND gate
NAND3	<no. of inputs>	in*, en, out	NAND gate
OR3	<no. of inputs>	in*, en, out	OR gate
NOR3	<no. of inputs>	in*, en, out	NOR gate
XOR3		in1, in2, en, out	Exclusive OR gate
NXOR3		in1, in2, en, out	Exclusive NOR gate
BUF3A	<no. of gates>	in*, en, out*	Buffer array
INV3A	<no. of gates>	in*, en, out*	Inverter array
AND3A	<no. of inputs>, <no. of gates>	in*, en, out*	AND array
NAND3A	<no. of inputs>, <no. of gates>	in*, en, out*	NAND array
OR3A	<no. of inputs>, <no. of gates>	in*, en, out*	OR array
NOR3A	<no. of inputs>, <no. of gates>	in*, en, out*	NOR array
XOR3A	<no. of gates>	in*, en, out*	Exclusive OR array
NXOR3A	<no. of gates>	in*, en, out*	Exclusive NOR array

Table 23-6 Tri-state gate types

The phrase *<no. of inputs>* is the number of inputs per gate, and the phrase *<no. of gates>* is the number of gates in an array. Input nodes come first, then the enable node, and then the output nodes. In a gate array, the node order is: input nodes for the first gate, input nodes for the second gate,..., input nodes for the final gate, enable node, output node for the first gate, output node for the second gate,..., output node for the final gate. The number of output nodes is equal to the number of gates. All gates in an array of tri-state gates share a common enable input.

Parameter	Description	Units
TPLHMN	Delay: min low to high	sec
TPLHTY	Delay: typ low to high	sec
TPLHMX	Delay: max low to high	sec
TPHLMN	Delay: min high to low	sec
TPHLY	Delay: typ high to low	sec
TPHLMX	Delay: max high to low	sec
TPLZMN	Delay: min low to Z	sec
TPLZTY	Delay: typ low to Z	sec
TPLZMX	Delay: max low to Z	sec
TPHZMN	Delay: min high to Z	sec
TPHZTY	Delay: typ high to Z	sec
TPHZMX	Delay: max high to Z	sec
TPZLMN	Delay: min Z to low	sec
TPZLY	Delay: typ Z to low	sec
TPZLMX	Delay: max Z to low	sec
TPZHMN	Delay: min Z to high	sec
TPZHTY	Delay: typ Z to high	sec
TPZHMX	Delay: max Z to high	sec

Table 23-7 Tri-state gate timing model parameters

Special Component editor fields

Inputs *<number of inputs>*

The 'Inputs' field specifies the number of inputs for the gate. When you enter this value, MC9 places an enable pin, an output pin, and the specified *<number of inputs>* pins on the display and you must drag them into place on the shape.

Flip-flops and latches

Both edge-triggered and level gated flip-flops are provided. Edge-triggered flip-flops include the JK flip-flop, JKFF, and the D-type flip-flop, DFF. Both change their state a specified delay time after the active edge of the clock. The active edge of the JKFF is the negative or falling edge. The active edge of the DFF is the positive or rising edge. The gated devices include the set-reset flip-flop, SRFF, and the D-latch, DLTCH. The outputs of these devices follow the input while the gate node is high. The input state sampled during the high state of the gate node is latched and stable during the low state of the gate node. The device is defined as an array of flip-flops, so one or more flip-flops may be instantiated with a single device. The presetbar, clearbar, and clock or gate nodes are common to all flip-flops in the array.

Initialization

Flip-flop devices may be initialized to a particular state by using DIGINITSTATE. The flip-flop true outputs are set according to this table:

DIGINITSTATE	Flip-flop Q output
0	0
1	1
All other values	X

DIGINITSTATE is set in the Global Settings dialog box. It can also be changed for a particular circuit with the .OPTIONS command.

X-levels

X states are not propagated to the output if the logic precludes that from happening. For example, if clearbar = X, and Q = 0, the Q stays at 0, since both clearbar possibilities (clearbar = 0 and clearbar = 1) both produce Q=0. Similarly, if clearbar = X, and Q = 1, Q goes to X since the two clearbar possibilities (clearbar = 0 and clearbar = 1) each produce different Q outputs (Q=0 and Q=1).

Timing violations

Timing constraints, specified in Table 23-8 and 23-11, are checked only if the value is not zero. If a constraint is violated, the simulator places a warning message in the Numeric Output window (CIRCUITNAME.TNO).

Arrays of flip-flops

Note that arrays of flip-flops or latches are available only for SPICE text circuits or SPICE text subckt libraries. Schematic flip-flops or latches are always singles.

Edge-triggered flip-flops

Two types of edge-triggered flip-flops are provided, the JKFF and the DFF. Both of these devices change after the active edge of the clock. The active edge of the JKFF is the negative or falling edge. The active edge of the DFF is the positive or rising edge.

SPICE format

```
U<name> JKFF(<no. of flip-flops>)  
+<digital power node> <digital ground node>  
+<presetbar node> <clearbar node> <clockbar node>  
+<first j node>...<last j node>  
+<first k node>...<last k node>  
+<first q node>...<last q node>  
+<first qbar node>...<last qbar node>  
+<timing model name> <I/O model name>  
+[MNTYMXDLY=<delay select value>]  
+[IO_LEVEL=<interface subckt select value>]
```

```
U<name> DFF(<no. of flip-flops>)  
+<digital power node> <digital ground node>  
+<presetbar node> <clearbar node> <clock node>  
+<first d node>...<last d node>  
+<first q node>...<last q node>  
+<first qbar node>...<last qbar node>  
+<timing model name> <I/O model name>  
+[MNTYMXDLY=<delay select value>]  
+[IO_LEVEL=<interface subckt select value>]
```

Examples

```
U1 JKFF(2) $G_DPWR $G_DGND  
+ PREBAR CLRBAR CLKBAR  
+J1 J2 K1 K2 Q1 Q2 Q1BAR Q2BAR  
+D0_EFF IO_STD IO_LEVEL=1
```

```
U4 DFF(1) $G_DPWR $G_DGND  
+PREB CLRB CLK  
+DIN Q QBAR DLY_DFF IO_ACT
```

Schematic format

PART attribute

<name>

Example

U10

TIMING MODEL attribute

<timing model name>

Example

74XX

I/O MODEL attribute

<I/O model name>

Example

IO_STD

MNTYMXDLY attribute

<delay select value>

Example

1

IO_LEVEL attribute

<interface subckt select value>

Example

0

POWER NODE attribute

<digital power node>

Example

\$G_DPWR

GROUND NODE attribute

<digital ground node>

Example

\$G_DGND

Parameter	Description	Units
TTPCQLHMN	Delay: min preb/clrb to q/qb low to high	sec
TTPCQLHTY	Delay: typ preb/clrb to q/qb low to high	sec
TTPCQLHMX	Delay: max preb/clrb to q/qb low to high	sec
TTPCQHLMN	Delay: min preb/clrb to q/qb high to low	sec
TTPCQHLTY	Delay: typ preb/clrb to q/qb high to low	sec
TTPCQHLMX	Delay: max preb/clrb to q/qb high to low	sec
TWPCLMN	Width: min preb/clrb low	sec
TWPCLTY	Width: typ preb/clrb low	sec
TWPCLMX	Width: max preb/clrb low	sec
TPCLKQLHMN	Delay: min clk/clkb edge to q/qb low to high	sec
TPCLKQLHTY	Delay: typ clk/clkb edge to q/qb low to high	sec
TPCLKQLHMX	Delay: max clk/clkb edge to q/qb low to high	sec

Table 23-8a Edge-triggered flip-flop timing model parameters

Model statement form

`.MODEL <timing model name> UEFF ([model parameters])`

Example

`.MODEL JKDLY UEFF (tppcqlhty=10ns tppcqlhmx=25ns tpclkqlhty=12ns
+twpcpty=15ns tsudclkty=4ns)`

Parameter	Description	Units
TWCLKLMN	Width: min clk/clkb low	sec
TWCLKLTY	Width: typ clk/clkb low	sec
TWCLKLMX	Width: max clk/clkb low	sec
TWCLKHMN	Width: min clk/clkb high	sec
TWCLKHTY	Width: typ clk/clkb high	sec
TWCLKHMX	Width: max clk/clkb high	sec
TSUDCLKMN	Setup: min j/k/d to clk/clkb edge	sec
TSUDCLKTY	Setup: typ j/k/d to clk/clkb edge	sec
TSUDCLKMX	Setup: max j/k/d to clk/clkb edge	sec
TSUPCCLKHMN	Setup: min preb/clrb hi to clk/clkb edge	sec
TSUPCCLKHTY	Setup: typ preb/clrb hi to clk/clkb edge	sec
TSUPCCLKHMX	Setup: max preb/clrb hi to clk/clkb edge	sec
THDCLKMN	Hold: min j/k/d after clk/clkb edge	sec
THDCLKTY	Hold: typ j/k/d after clk/clkb edge	sec
THDCLKMX	Hold: max j/k/d after clk/clkb edge	sec

Table 23-8b Edge-triggered flip-flop timing model parameters

The parameter *<no. of flip-flops>* specifies the number of flip-flops and is available only for SPICE circuits or libraries. Schematic flip-flop components are available only as singles. The three nodes, *<presetbar node>*, *<clearbar node>*, and *<clock node>* are common to all flip-flops in the array.

J	K	CLK	PREB	CLRB	Q	QB
X	X	X	1	0	0	1
X	X	X	0	1	1	0
X	X	X	0	0	Unstable	Unstable
X	X	0	1	1	Q'	QB'
X	X	1	1	1	Q'	QB'
0	0	F	1	1	Q'	QB'
0	1	F	1	1	0	1
1	0	F	1	1	1	0
1	1	F	1	1	QB'	Q'

Table 23-9 JKFF flip-flop truth table

D	CLK	PREB	CLRB	Q	QB
X	X	1	0	0	1
X	X	0	1	1	0
X	X	0	0	Unstable	Unstable
X	0	1	1	Q'	QB'
X	1	1	1	Q'	QB'
0	R	1	1	0	1
1	R	1	1	1	0

Table 23-10 DFF flip-flop truth table

Gated latch

Two types of gated latches are provided, the SRFF and the DLTCH. Both devices change during the high level of the gate.

SPICE format

```
U<name> SRFF(<no. of latches>)  
+<digital power node> <digital ground node>  
+<presetbar node> <clearbar node> <gate node>  
+<first s node>...<last s node>  
+<first r node>...<last r node>  
+<first q node>...<last q node>  
+<first qbar node>...<last qbar node>  
+<timing model name> <I/O model name>  
+[MNTYMXDLY=<delay select value>]  
+[IO_LEVEL=<interface subckt select value>]
```

```
U<name> DLTCH(<no. of latches>)  
+<digital power node> <digital ground node>  
+<presetbar node> <clearbar node> <gate node>  
+<first d node>...<last d node>  
+<first q node>...<last q node>  
+<first qbar node>...<last qbar node>  
+<timing model name> <I/O model name>  
+[MNTYMXDLY=<delay select value>]  
+[IO_LEVEL=<interface subckt select value>]
```

Examples

```
U1 SRFF(2) $G_DPWR $G_DGND  
+ PREBAR CLRBAR CLK  
+S1 S2 R1 R2 Q1 Q2 Q1BAR Q2BAR  
+D0_SRFF IO_STD IO_LEVEL=1
```

```
U4 DLTCH(1) $G_DPWR $G_DGND  
+PREB CLRB GATE  
+D1 Q QBAR D_DLTCH IO_ALS
```

Schematic format

PART attribute

<name>

Example

U10

TIMING MODEL attribute

<timing model name>

Example

D74

I/O MODEL attribute

<I/O model name>

Example

IO_LS

MNTYMXDLY attribute

<delay select value>

Example

1

IO_LEVEL attribute

<interface subckt select value>

Example

0

POWER NODE attribute

<digital power node>

Example

\$G_DPWR

GROUND NODE attribute

<digital ground node>

Example

\$G_DGND

Parameter	Description	Units
TPPCQLHMN	Delay: min preb/clrb to q/qb low to high	sec
TPPCQLHTY	Delay: typ preb/clrb to q/qb low to high	sec
TPPCQLHMX	Delay: max preb/clrb to q/qb low to high	sec
TPPCQHLMN	Delay: min preb/clrb to q/qb high to low	sec
TPPCQHLTY	Delay: typ preb/clrb to q/qb high to low	sec
TPPCQHLMX	Delay: max preb/clrb to q/qb high to low	sec
TWPCLMN	Width: min preb/clrb low	sec
TWPCLTY	Width: typ preb/clrb low	sec
TWPCLMX	Width: max preb/clrb low	sec
TPGQLHMN	Delay: min gate to q/qb low to high	sec
TPGQLHTY	Delay: typ gate to q/qb low to high	sec
TPGQLHMX	Delay: max gate to q/qb low to high	sec
TPGQHLMN	Delay: min gate to q/qb high to low	sec
TPGQHLTY	Delay: typ gate to q/qb high to low	sec
TPGQHLMX	Delay: max gate to q/qb high to low	sec

Table 23-11A Gated latch timing model parameters

Model statement form

.MODEL <timing model name> UGFF ([model parameters])

Example

.MODEL SR1 UGFF (tppcqlhty=10ns tppcqlhmx=25ns tpgqlhty=12ns
+twpcly=15ns tsudgty=4ns)

Parameter	Description	Units
TPDQLHMN	Delay: min s/r/d to q/qb low to high	sec
TPDQLHTY	Delay: typ s/r/d to q/qb low to high	sec
TPDQLHMX	Delay: max s/r/d to q/qb low to high	sec
TPDQHLMN	Delay: min s/r/d to q/qb high to low	sec
TPDQHLY	Delay: typ s/r/d to q/qb high to low	sec
TPDQHLMX	Delay: max s/r/d to q/qb high to low	sec
TWGHMN	Width: min gate high	sec
TWGHLY	Width: typ gate high	sec
TWGHMX	Width: max gate high	sec
TSUDGMN	Setup: min s/r/d to gate edge	sec
TSUDGTY	Setup: typ s/r/d to gate edge	sec
TSUDGMX	Setup: max s/r/d to gate edge	sec
TSUPCGHMN	Setup: min preb/clrb high to gate edge	sec
TSUPCGHTY	Setup: typ preb/clrb high to gate edge	sec
TSUPCGHMX	Setup: max preb/clrb high to gate edge	sec
THDGMN	Hold: min s/r/d after gate edge	sec
THDGTY	Hold: typ s/r/d after gate edge	sec
THDGMX	Hold: max s/r/d after gate edge	sec

Table 23-11B Gated latch timing model parameters (continued)

The parameter *<no. of latches>* specifies the number of latches in the array and is available only for SPICE text circuits or text subckt libraries. Schematic latches are available only as singles. The three nodes, *<presetbar node>*, *<clearbar node>*, and *<gate node>* are common to all latches in the array.

S	R	GATE	PREB		Q	QB
X	X	X	1	0	0	1
X	X	X	0	1	1	0
X	X	X	0	0	Unstable	Unstable
X	X	0	1	1	Q'	QB'
0	0	1	1	1	Q'	QB'
0	1	1	1	1	0	1
1	0	1	1	1	1	0
1	1	1	1	1	Unstable	Unstable

Table 23-12 SRFF latch truth table

D	GATE	PREB	CLRB	Q	QB
X	X	1	0	0	1
X	X	0	1	1	0
X	X	0	0	Unstable	Unstable
X	0	1	1	Q'	QB'
0	1	1	1	0	1
1	1	1	1	1	0

Table 23-13 DLTCH latch truth table

Pullup and pulldown

These devices provide a constant output level at a user-specified strength. The outputs are as follows:

Device	Level	Strength
Pullup	1	DRVH (from the I/O model)
Pulldn	0	DRVL (from the I/O model)

These devices provide a strong '1' to pull up or a strong '0' to pull down a group of open-collector devices whose outputs are wired together.

SPICE format

```
U<name> <resistor type>(<number of resistors>)  
+<digital power node> <digital ground node>  
+<output node>*  
+<I/O model name>  
+[IO_LEVEL=<interface subckt select value>]
```

<resistor type> is one of the following:

```
PULLUP   array of digital pullup resistors  
PULLDN   array of digital pulldown resistors
```

<number of resistors> specifies the number of resistors in the array.

Note that these devices are digital devices, not analog devices. Their sole purpose is to provide a strong constant level to a set of open-collector digital devices whose outputs are wired together. Open-collector devices are simply digital devices with a very large value of DRVH in their I/O model.

PULLUP and PULLDN devices do not use timing models since there is no delay associated with them. They do, however, need I/O models, since they are digital devices.

Example

```
U1 PULLUP(8)  
+$G_DPWR $G_DGND  
+A1 A2 A3 A4 A5 A6 A7 A8  
+ IO_STD
```

Schematic format

PART attribute

<name>

Example

U1

I/O MODEL attribute

<I/O model name>

Example

IO_ALS

IO_LEVEL attribute

<interface subckt select value>

Example

1

POWER NODE attribute

<digital power node>

Example

\$G_DPWR

GROUND NODE attribute

<digital ground node>

Example

\$G_DGND

Delay line

This device provides a constant delay according to the timing model parameters. Unlike the other digital devices, there is no inertial cancellation of narrow pulse widths through delay lines.

SPICE format

```
U<name> DLYLINE
+<digital power node> <digital ground node>
+<input node> <output node>
+<timing model name> <I/O model name>
+[MNTYMXDLY=<delay select value>]
+[IO_LEVEL=<interface subckt select value>]
```

Example

```
U1 DLYLINE
+$G_DPWR $G_DGND
+IN OUT
+ DMOD IO1
```

Schematic format

PART attribute

<name>

Example

```
U1
```

TIMING MODEL attribute

<timing model name>

Example

```
DELAY1
```

I/O MODEL attribute

<I/O model name>

Example

```
IO_STD
```

MNTYMXDLY attribute

<delay select value>

Example

2

IO_LEVEL attribute

<interface subckt select value>

Example

1

POWER NODE attribute

<digital power node>

Example

\$G_DPWR

GROUND NODE attribute

<digital ground node>

Example

\$G_DGND

Parameter	Description	Units
DLYMN	Delay: min	sec
DLYTY	Delay: typical	sec
DLYMX	Delay: max	sec

Table 23-14 Delay line timing model parameters

Programmable logic arrays

The programmable logic array is designed to allow modeling of a wide variety of programmable logic devices. The device is constructed of a user-specified number of inputs, visualized as columns, and a user-specified number of outputs, which form the rows. Each output (row) is a gate, whose inputs are selected from the inputs (columns). The device is programmed by choosing the inputs to be a part of the gate. The type of gate is determined by the PLA type. A PLNAND provides NAND gates, a PLOR provides OR gates, and so on. The PLA device provides a programmable core for modeling commercial PLA parts.

There are two ways to program the PLA. The normal way is to provide the data in a JEDEC format file. These files are normally created as the primary output of a PLA design program. The second method is to include the data directly in the SPICE command line or, for schematics, in the DATA attribute.

SPICE format

```
U<name> <pld type>(<no. of inputs>,<no. of outputs>)  
+<digital power node> <digital ground node>  
+<input node>* <output node>*  
+<timing model name> <I/O model name>  
+[FILE=<"file name constant" | |file name expression|>]  
+[DATA=<data constant> | <radix flag>${<program data>}]  
+[MNTYMXDLY=<delay select value>]  
+[IO_LEVEL=<interface subckt select value>]
```

Schematic format

PART attribute

<name>

Example

U10

TIMING MODEL attribute

<timing model name>

Example

PL_04

I/O MODEL attribute

<I/O model name>

Example
IO_ACT

FILE attribute

<"file name constant" | |file name expression|>

Examples

"JED_FILE" ;a file name constant enclosed in ""
|FILEVAR| ;a file name expression enclosed in |.

DATA attribute

<data constant> | <radix flag>\${<program data>}\$

Examples

data_table ; data_table is defined elsewhere with a .define statement.
b\$010101 ; multiline program data
+101011
+011001\$

MNTYMXDLY attribute

<delay select value>

Example

1

IO_LEVEL attribute

<interface subckt select value>

Example

0

POWER NODE attribute

<digital power node>

Example

\$G_DPWR

GROUND NODE attribute

<digital ground node>

Example

\$G_DGND

Special Component editor fields

Inputs <*number of inputs*>

Outputs <*number of outputs*>

The Component editor has two special fields for PLA devices, 'Inputs' and 'Outputs'. When you enter these values, MC9 places the specified input and output pins on the display and you must drag them into place on the shape.

Definitions

<*pld type*> selects the type of gate and is chosen from the following list:

Type	Description
PLAND	AND array
PLOR	OR array
PLNAND	NAND array
PLNOR	NOR array
PLXOR	Exclusive OR array
PLNXOR	Exclusive NOR array
PLANDC	AND array with true and complement inputs
PLORC	OR array with true and complement inputs
PLNANDC	NAND array with true and complement inputs
PLNORC	NOR array with true and complement inputs
PLXORC	Exclusive OR array with true and complement inputs
PLNXORC	Exclusive NOR array with true and complement inputs

Table 23-15 PLA Types

FILE = <"*file name constant*" | |*file name expression*| >

This attribute denotes the name of a JEDEC format file in one of two formats:

File name constant enclosed in double quotes ("")

File name expression enclosed in double bars (||)

SPICE text files and libraries can use either *|file name expression|* or "*file name constant*". *|file name expression|* is limited to a single *<text name>* from a sub-circuit TEXT: statement. This is the way a commercial PLD part modeled with a PLA device in a subcircuit is passed a JEDEC file name. For example:

```
.SUBCKT PLD24 I1 I2 O1 O2 O3 O4
+ TEXT: JFILE="JD.STM"
...
U1 PLOR(2,4)
+ $G_DPWR $G_DGND
+ I1 I2
+ O1 O2 O3 O4
+ PLAMODEL
+ IO_STD_PLD
+ FILE=|JFILE|
```

Here, the PLA will use the file name assigned to JFILE. JFILE can be assigned a name when the subckt is used in a schematic or a SPICE file by supplying a FILE attribute. If it is not assigned a value, JFILE will use the default value "JD.STM".

Schematic PLAs that use the FILE attribute must use the "*file name constant*" option as there is no way to define a *|file name expression|* in a schematic.

If the FILE attribute is used, the DATA attribute is ignored. The mapping of the data in the JEDEC file is controlled by timing model parameters.

The data constant lets you create the data table in the text area or as grid text in the schematic where there is more space. It is created with a .define statement in the schematic or in the text area. The contents of the define statement are substituted for the data constant when an analysis is run. For example, consider this define statement:

```
.DEFINE TAB1 BS01 01 10 11 01 11 01 10 01$
```

If a PLA uses a data constant of TAB1, the text "BS01 01 10 11 01 11 01 10 01\$" will be substituted for TAB1 when an analysis is run. 'Defines' may be used to move long definitions from any attribute VALUE field (except PART) to the text area, or just to create convenient compact constants.

<radix flag>\$

This is a one character flag that defines the type of data in the DATA attribute. It is one of the following:

- B Binary data
- O Octal data (most significant bit =lowest address)
- X Hex data (most significant bit =lowest address)

<program data>\$

This text string contains data values that program the PLA. If the data value for a particular input column variable is a '0', the input column is not connected to the gate. If the data value is a '1', the input column is connected to the gate. The phrase "connected" means that a new input to the gate is created and the input (column) line is connected to the new gate input. The data values start at the zero address. For example:

```

U1 PLOR(3,4) ;3-INPUT,4-OUTPUT OR TYPE PLA
+ $G_DPWR $G_DGND ;POWER PINS
+ I1 I2 I3 ;THREE INPUT PIN NAMES
+ O1 O2 O3 O4 ;FOUR OUTPUT PIN NAMES
+ PLAMODEL ;PLA TIMING MODEL NAME
+ IO_STD_PLD ;PLA I/O MODEL NAME
+ DATA=B$ ;PLA DATA PROGRAM
+ 1 1 1 ;O1 = I1 | I2 | I3
+ 0 1 0 ;O2 = I2
+ 1 0 1 ;O3 = I1 | I3
+ 0 0 1$ ;O4 = I3
...

```

True only(PLAND, PLOR, PLNAND, PLNOR, PLXOR, PLNXOR)

The zero address specifies the first input to the first output gate. The next input specifies the second input to the first output gate, and so on until all possible input connections have been specified. The process repeats for all possible input connections to the second gate until the last gate has been programmed.

True and complement(PLANDC, PLORC, PLNANDC, PLNORC, PLXORC, PLNXORC)

True and complement programming is like true only programming, except that the complement is interleaved and placed after the true. The zero address programs the first true input to the first output gate. The next input programs the connection of the first complement input to the first gate. The next input programs the connection of the second true input to the first output gate. The next input programs the connection of the second complement input to the first gate, and so on until all possible true and complement input connections have been programmed. The process is repeated for all possible true and complement input connections to the second gate until the final gate has been programmed.

The data values must be delimited by dollar signs (\$). They may be separated by spaces or placed on continuation lines.

Model statement form

.MODEL <timing model name> UPLD ([model parameters])

Example

.MODEL PLD1 UPLD (TPLHMN=10ns TPLHTY=25ns TPLHMX=35ns)

Parameter	Description	Default
TPLHMN	Delay: min low to high	0
TPLHTY	Delay: typ low to high	0
TPLHMX	Delay: max low to high	0
TPHLMN	Delay: min high to low	0
TPHLY	Delay: typ high to low	0
TPHLMX	Delay: max high to low	0
OFFSET	JEDEC file mapping: Address of first input and first gate program	0
COMPOFFSET	JEDEC file mapping: Address of complement of first input and first gate program	1
INSCALE	JEDEC file mapping: Amount the JEDEC file address changes for each new input pin	true only:1 true & comp:2
OUTSCALE	JEDEC file mapping: Amount the JEDEC file address changes for each new output pin (gate)	true only:<no. of inputs> true & comp:2*<no. of inputs>

Table 23-16 PLA timing model parameters

Multi-bit A/D converter

SPICE format

```
U<name> ADC(<bits>)
+<digital power node> <digital ground node>
+<in node> <ref node> <gnd node> <convert node>
+<status node> <over-range node>
+<output msb node> <output lsb node>
+<timing model name> <I/O model name>
+[MNTYMXDLY=<delay select value>]
+[IO_LEVEL=<interface subckt select value>]
```

Example

```
U10 ADC(8) $G_DPWR $G_DGND
+analog_in reference 0 convert status over B7 B6 B5 B4 B3 B2 B1 B0
+IO_STD_OC_ST
```

Schematic format

PART attribute

<name>

Example

U10

TIMING MODEL attribute

<timing model name>

Example

AF_04

I/O MODEL attribute

<I/O model name>

Example

IO_AC

MNTYMXDLY attribute

<delay select value>

Example

1

IO_LEVEL attribute
<interface subckt select value>

Example
0

POWER NODE attribute
<digital power node>

Example
\$G_DPWR

GROUND NODE attribute
<digital ground node>

Example
\$G_DGND

Special Component editor fields

Bits <bits>

The Component editor has a special 'Bits' field for ADC devices. It lets you specify the number of output bits for the ADC. When you enter the number of bits, the system places the following pins on the display and you must drag them into place on the shape.

In
Convert
Ref
Gnd
Status
Over-range
Out0
Out1
.
.
.
OutN-1

If N bits are specified there will be N output pins Out0...OutN-1.

The ADC device converts the analog voltage difference between the *<in node>* pin and the *<gnd node>* pin to an equivalent digital representation. The digital output is the binary equivalent of:

$$\frac{V(in\ node,\ gnd\ node)^{2^{bits}}}{V(ref\ node,\ gnd\ node)}$$

If the analog input value, $V(in\ node,\ gnd\ node)$, is less than zero, then all data bits are set to '0', and over-range is set to '1'. If this value exceeds $V(ref\ node,\ gnd\ node)$ then all data bits are set to '1', and the over-range pin is again set to '1'.

The sampling of the input voltage occurs on the rising edge of the CONVERT signal. Only one conversion is performed per rising edge.

The data output pins go to the 'X' state and the STATUS pin goes to the '1' state TPCS seconds after the rising edge of the CONVERT signal. TPSD seconds later, the data output pins change to valid data. TPDS seconds later, the STATUS pin goes to the '0' state. This timing is summarized in the diagram below:

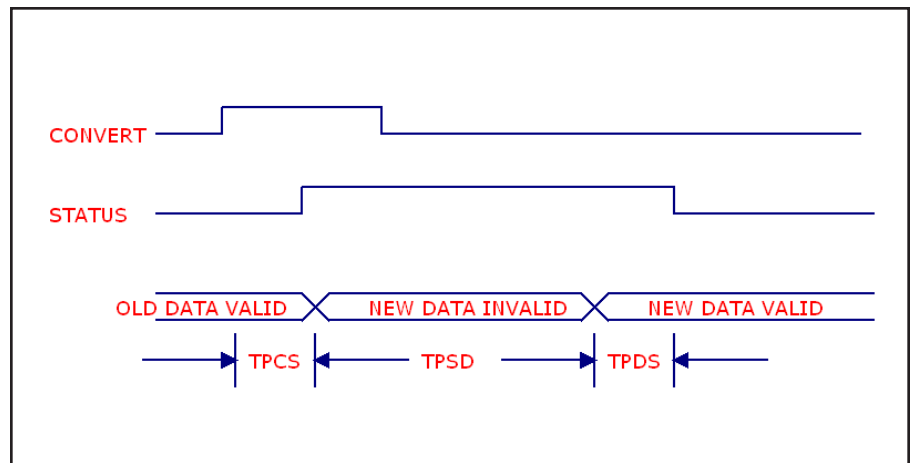


Figure 23-2 ADC timing diagram

Model statement form

.MODEL <timing model name> UADC ([model parameters])

Example

.MODEL A1 UADC (TPCSMN=5ns TPCSTY=15ns TPCSMX=25ns)

Parameter	Description	Units
TPCSMN	Delay: min rising edge of Convert to rising edge of Status	sec
TPCSTY	Delay: typ rising edge of Convert to rising edge of Status	sec
TPCSMX	Delay: max rising edge of Convert to rising edge of Status	sec
TPSDMN	Delay: min rising edge of Status to valid data outputs	sec
TPSDTY	Delay: typ rising edge of Status to valid data outputs	sec
TPSDMX	Delay: max rising edge of Status to valid data outputs	sec
TPDSMN	Delay: min data outputs valid to falling edge of Status	sec
TPDSTY	Delay: typ data outputs valid to falling edge of Status	sec
TPDSMX	Delay: max data outputs valid to falling edge of Status	sec

Table 23-17 ADC timing model parameters

See the sample circuit AD16 for an example of the use of this type of device.

Multi-bit D/A converter

SPICE format

U<name> DAC(<no. of bits>)
+<digital power node> <digital ground node>
+<out node> <ref node> <gnd node>
+<input msb node> <input lsb node>
+<timing model name> <I/O model name>
+[MNTYMXDLY=<delay select value>]
+[IO_LEVEL=<interface subckt select value>]

Example

```
U10 DAC(8) $G_DPWR $G_DGND  
+analog_out reference 0 B7 B6 B5 B4 B3 B2 B1 B0  
+ D0_EFF IO_STD_ST
```

Schematic format

PART attribute

<name>

Example

U10

TIMING MODEL attribute

<timing model name>

Example

DACTM

I/O MODEL attribute

<I/O model name>

Example

IO_HCT

MNTYMXDLY attribute

<delay select value>

Example

1

IO_LEVEL attribute
<interface subckt select value>

Example
0

POWER NODE attribute
<digital power node>

Example
\$G_DPWR

GROUND NODE attribute
<digital ground node>

Example
\$G_DGND

Special Component editor fields

Bits <bits>

The Component editor has a special Bits field for DAC devices. It lets you specify the number of input bits. When you enter the number of bits, the system places the following pins on the display and you must drag them into place on the shape.

Out
Ref
Gnd
In0
In1
.
.
.
In<bits-1>

The DAC device converts the decimal value of the binary inputs to an analog voltage and impresses that voltage between the <out node> and the <gnd node>. The analog output for n input bits, bn-1,...b1, b0 is:

$$V(\text{out}) = V(\text{ref,gnd}) (b_{n-1}^{n-1} + \dots + b_1^1 + b_0^0) 2^{-n}$$

Binary inputs in the 'X' state translate to analog voltages halfway between the analog voltage for the '0' state and the '1' state.

Following a change on one or more of the binary inputs, the analog output changes linearly from the old state to the new state over the specified TSW time as shown in the timing diagram below.

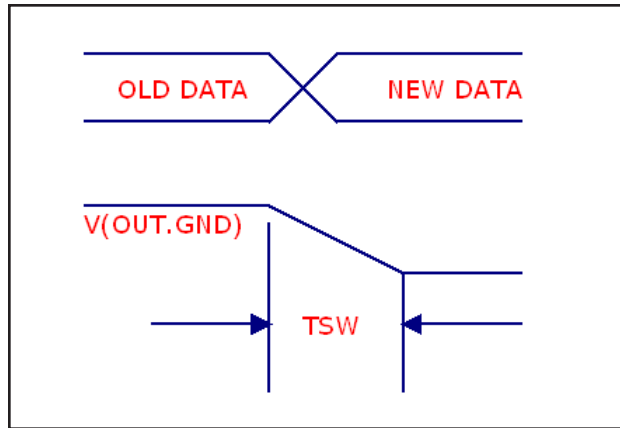


Figure 23-3 DAC timing diagram

See the sample circuit AD16 for an example of the use of this type of device.

Model statement form

`.MODEL <timing model name> UDAC ([model parameters])`

Example

`.MODEL DAC1 UDAC (TSWMN=5ns TSWTY=15ns TSWMX=25ns)`

Parameter	Description	Units
TSWMN	Switching time: min data change to stable analog out	sec
TSWTY	Switching time: typ data change to stable analog out	sec
TSWMX	Switching time: max data change to stable analog out	sec

Table 23-18 DAC timing model parameters

Behavioral primitives

Behavioral primitives are devices for simplifying the modeling of complex digital parts. They come in three varieties:

Logic expressions

These devices let you describe digital behavior with Boolean logic expressions.

Pin-to-pin delays

These delays let you describe rules governing the propagation delays between pins. The rules are logic expressions based upon the behavior of input pins.

Constraints

These devices let you check for timing constraints and issue warning messages when the constraints are violated. Timing constraints include pulse width, pulse frequency, setup time, hold time, and a general user-defined type.

These devices are used extensively in the Digital library to model commercial logic family parts, so it is not necessary to master their use in order to benefit from them. It is possible to use the digital logic family parts without ever learning about the behavioral primitives. However, if you want to model a part that is not in the library, you will find these primitives to be of great value and well worth the time spent learning them.

Logic expression

The logic expression primitive provides a means for describing complex digital behavior. It lets you define the behavior of outputs with standard Boolean algebra, using as variables, input states, temporary states, and output states.

SPICE format

```
U<name> LOGICEXP(<no. of inputs>,<no. of outputs>)  
+<digital power node> <digital ground node>  
+<first input node>...<last input node>  
+<first output node>...<last output node>  
+<timing model name>  
+<I/O model name>  
+[MNTYMXDLY=<delay select value>]  
+[IO_LEVEL=<interface subckt select value>]  
+ LOGIC:<logic assignments>*
```

Schematic format

Logic expressions are usually found in the text file libraries. They are not often used directly as schematic components, although they can be. For this reason, only a few sample logic expression components are included in the Component library.

PART attribute

<name>

Example

U10

TIMING MODEL attribute

<timing model name>

Example

DLOGIC

I/O MODEL attribute

<I/O model name>

Example

IO_STD

LOGIC attribute

LOGIC: {<logic expression>}

This attribute is a full LOGIC statement or, more commonly, the name of a LOGIC statement defined with a .define statement in the text area. Note that the 'LOGIC:' keyword must precede the {<logic expression>}.

Examples

LOFEXP1 ; must be defined by a .define in the text area
LOGIC: C= {A | B & C } ; note the mandatory use of the 'LOGIC:' keyword

LOGIC: TEMP11 = {IN1 ^ IN2 & IN3 ^ IN4 }

LOGIC: TEMP12 = {IN1 ^ IN2 | IN3 ^ IN4 }

LOGIC: OUT1 = { TEMP11 & TEMP12 }

MNTYMXDLY attribute

<delay select value>

Example

1

IO_LEVEL attribute

<interface subckt select value>

Example

0

POWER NODE attribute

<digital power node>

Example

\$G_DPWR

GROUND NODE attribute

<digital ground node>

Example

\$G_DGND

Special Component editor fields

Pins *<input pins, output pins>*

The Component editor has a special 'Pins' field for these devices. You don't edit the fields directly. Instead, you click in the Shape/Pin Display and add an input or an output pin. This is how you define the names and the locations of the pins used by the logic expression device.

Note that these devices are used mainly for modeling commercial parts, and are found principally in subcircuits in the Digital library text files. Because they can have a variable number of inputs and outputs, there are an infinite number of pin combinations, and since a component in the Component library requires the specification of pin placements, placing all possible logic expression primitives in the library is clearly impossible. Accordingly, only a few such devices are found in the library, and these are mainly for illustration. These devices are really targeted for use in the subcircuits of the Digital Library section. While you can use them directly in schematics, their real power derives from their use in commercial part models, which can be readily placed and used in schematics.

Format definitions

LOGIC:

Marks the start of a group of one or more *<logic assignments>*. A *<logic assignment>* is one of the following forms:

<temporary value> = {*<logic expression>*}
<output node name> = {*<logic expression>*}

<temporary value>

Any use of a name which is not in the list of the pin names for the device, automatically creates a temporary value which may be used in other *<logic assignments>*. The use of temporary values substantially simplifies and improves the readability of logic expressions, thus reducing errors.

<output node name>

This is one of the output node names. Assignment to an *<output node name>* causes the result of the *<logic expression>* evaluation to be scheduled after the appropriate delay from the timing model, to the output node.

<logic expression>

This is a C-like, infix-notation expression which generates one of the five valid digital logic levels { 0, 1, R, F, X }. The expression must be enclosed in curly braces {...}. The *<logic expression>* may use the continuation character (+) to span more than one line.

Logic expression operators and their precedence are as follows:

Operator	Definition	Precedence
~	Unary negation	1
&	AND	2
^	Exclusive OR	3
	OR	4

Table 23-19 Logic expression operators

Operands are one of the following:

<input nodes>

Previously assigned *<temporary values>*

Previously assigned *<output nodes>*

Constants: '0', '1', 'R', 'F', and 'X'. Note that the mandatory single quote (') is a part of the constant name.

Parentheses may be freely used to group expressions.

Timing model format

The timing model is identical to the standard gate primitive UGATE format:

```
.MODEL <timing model name> UGATE ([model parameters])
```

Simulation behavior

The LOGIC statement is evaluated when any input or output pin changes state. Each *<logic assignment>* is evaluated in the order listed within the LOGIC statement. Expressions have no delay. Any *<output node name>* that changes is scheduled with the appropriate delay from the timing model. Note that usually the timing model delays are set to zero. Instead, delay is modeled by having the outputs drive the inputs of a pin-to-pin delay device. These devices provide logical control of delay based upon inputs that make implementing data sheet delays easy. Internal feedback is forbidden. This means a *<logic assignment>* should only use previously assigned *<temporary values>* or *<output nodes>*.

Here is an example of a logic expression used in the Digital Library to model the 7483A full adder.

```
* -----7483A -----
* 4-Bit Binary Full Adders With Fast Carry
*The TTL Logic Data Book, 1988, TI Pages 2-257 - 2-261
U1LOG LOGICEXP(9,5) DPWR DGND
+  C0 A1 A2 A3 A4 B1 B2 B3 B4
+  S1_O S2_O S3_O S4_O C4_O
+  D0_GATE IO_STD MNTYMXDLY={MNTYMXDLY}IO_LEVEL={IO_LEVEL}
+
+ LOGIC:
+  c0bar = {~C0}
+  nor1 = {~(A1 | B1)}
+  nand1 = {~(A1 & B1)}
+  nor2 = {~(A2 | B2)}
+  nand2 = {~(A2 & B2)}
+  nor3 = {~(A3 | B3)}
+  nand3 = {~(A3 & B3)}
+  nor4 = {~(A4 | B4)}
+  nand4 = {~(A4 & B4)}
+  C4_O = {~(nor4 | (nor3 & nand4) | (nor2 & nand4 & nand3)
+  | (nor1 & nand4 & nand3 & nand2) |
+  (nand4 & nand3 & nand2 & nand1 & c0bar))}
+  S4_O = {(nand4 & (~nor4)) ^ (~(nor3 | (nor2 & nand3)
+  | (nor1 & nand3 & nand2) |
+  (nand3 & nand2 & nand1 & c0bar)))}
+  S3_O = {(nand3 & (~nor3)) ^ (~(nor2 | (nor1 &
+  nand2) | (nand2 & nand1 & c0bar)))}
+  S2_O = {(nand2 & (~nor2)) ^ (~(nor1 | (nand1 &
+  c0bar)))}
+  S1_O = {(nand1 & (~nor1)) ^ C0}
```

This shows just the logic expression portion of the 7483A model. Complete models for commercial digital devices like the 7483A may include logic expressions, pin-to-pin delays, constraint devices, and other logic primitives like gates and flip-flops. These are all housed in a subcircuit using the commercial part name, like 7483A.

Pin-to-pin delay

The PINDLY primitive provides a way of modeling complex conditional pin delays. Conceptually, it can be pictured as a set of channels, where the delay through each is controlled by a set of user-defined rules. Rules assign a delay to a particular channel based upon activity at the pins. A typical rule might say:

```
OUT1 = {CHANGED(REF1,0) & TRN_LH, DELAY(10NS,15NS,18NS)}
```

This means, "If the REF1 pin changed in the last 0 seconds, and the channel *node* OUT1 is making a low to high transition, then the delay for the OUT1 channel is min=10ns, typ=15ns, max=18ns."

PINDLY primitives are typically used within a subckt between the logic expression outputs and the subckt outputs. That is, the inputs to a PINDLY are usually the outputs of a logic expression. The outputs of a PINDLY are usually the outputs of the subcircuit which embodies the full digital model of the part.

A PINDLY may use multiple conditional rules to determine the delay on each channel. Reference and enable pin states may be used in the rule logic.

SPICE format

```
U<name> PINDLY(<no. of paths>,<no. of enables>,<no. of refs>)  
+<digital power node> <digital ground node>  
+<first input node>...<last input node>  
+<first enable node>...<last enable node>  
+<first reference node>...<last reference node>  
+<first output node>...<last output node>  
+<I/O model name>  
+[MNTYMXDLY=<delay select value>]  
+[IO_LEVEL=<interface subckt select value>]  
+[BOOLEAN:<boolean assignments>*]  
+[PINDLY:<delay assignments>*]  
+[TRISTATE: ENABLE LO | HI <enable node> <delay assignments>*]  
+[SETUP_HOLD:<setup_hold specifications>]  
+[WIDTH:<width specifications>]  
+[FREQ:<freq specifications>]  
+[GENERAL:<general specifications>]
```


Schematic format

PINDLYs are most commonly found in the text file libraries. They are not often used directly as schematic components, although they can be. For this reason, only a few token PINDLY components are found in the Component library.

PART attribute

<name>

Example

P20

PINDELAY attribute

```
[BOOLEAN:<boolean assignments>*]  
+[PINDLY:<delay assignments>*]  
+[TRISTATE: ENABLE LO | HI <enable node> <delay assignments>*]
```

This attribute is a full PINDELAY statement or, more commonly, the name of a PINDELAY statement defined with a .define statement in the text area or in a file referenced by a .lib statement in the schematic.

Examples

CARRY_DELAYS ; defined with a .define statement in the text area

```
PINDLY: OUT1= {(DELAY (10NS,20NS,30NS))}
```

```
PINDLY: BIT2= {CASE (CHANGED(REF1,O),DELAY (10NS,20NS,30NS))}
```

```
BOOLEAN:
```

```
+READY={CHANGED_LH(GATE,0)}
```

```
+LOW={CHANGED_LH(SEC,0)}
```

```
+PINDLY: BIT2 = { CASE (READY & LOW),
```

```
+ DELAY (10NS,20NS,30NS)) }
```

I/O MODEL attribute

<I/O model name>

Example

IO_STD

MNTYMXDLY attribute

<delay select value>

Example

1

IO_LEVEL attribute

<*interface subckt select value*>

Example

0

POWER NODE attribute

<*digital power node*>

Example

\$G_DPWR

GROUND NODE attribute

<*digital ground node*>

Example

\$G_DGND

Special Component editor pin fields

Pins <*paths, enable pins, reference pins*>

The Component editor has a special Pins field for PINDLY devices. You don't edit these fields directly. Instead, you click in the Shape/Pin Display and add a path, enable pin, or a reference pin. Paths have two pins, with an arrow between them. The arrow is drawn from the path input to the path output. This defines the names and locations of the pins that the PINDLY device uses.

PINDLY devices are used mainly for modeling commercial parts, and are found principally in subcircuits in the Digital Library text files. Because they can have an infinite number of pin combinations, and since a component in the Component library requires the specification of pin placements, placing all possible PINDLY devices in the library is clearly impossible. Only a few such devices are found in the library, and these are mainly for illustration. These devices are really targeted for use in text file subcircuits. While you can use them directly in schematics, their real power derives from their use in commercial part models.

Format definitions

BOOLEAN:

Marks the start of a group of one or more *<boolean assignments>* used as temporary variables in subsequent *<delay assignments>*. A *<boolean assignment>* is one of the following forms:

<boolean variable> = {*<boolean expression>*}

<boolean variable> = any valid variable name

<boolean expression>

This is a C-like, infix-notation expression which generates one of the two boolean states, TRUE or FALSE. The expression must be enclosed in curly braces {...}.

The *<boolean expression>* may use the continuation character (+) to span more than one line. Boolean expression operators and their precedence are as follows:

Operator	Definition	Precedence
~	Unary negation	1
==	Equality	2
!=	Inequality	3
&	AND	4
^	Exclusive OR	5
	OR	6

Table 23-20 Boolean expression operators

Operands are one of the following:

Previously assigned *<boolean variables>*

Reference functions

Transition functions

<boolean constants> (TRUE or FALSE)

Logic levels ('0, '1, 'R, 'F, 'X) may be used as operands for the '==' and '!=' operators only. This lets the boolean logic examine input states as in, "START={COUNT=='R & RESET=='0}". Note that the mandatory single quote (') is a part of the constant name.

Reference functions

Reference functions provide the means to detect logic level transitions on *<reference nodes>* and *<input nodes>*. They return boolean values and may be used within any *<boolean expressions>*. The functions are:

```
CHANGED(<node>,<reference time>)  
CHANGED_LH(<node>,<reference time>)  
CHANGED_HL(<node>,<reference time>)
```

The CHANGED function returns TRUE if *<node>* has made a transition in the last *<reference time>* seconds, relative to the current time.

The CHANGED_LH function returns TRUE if *<node>* has made a low to high transition in the last *<reference time>* seconds, relative to the current time.

The CHANGED_HL function returns TRUE if *<node>* has made a high to low transition in the last *<reference time>* seconds, relative to the current time.

Reference functions consider only the last or current transition. They do not consider all transitions within the last *<reference time>* seconds.

<reference time> may be zero, in which case only current transitions at the evaluation time are considered.

Transition functions

These functions let you detect changes on the *<output nodes>* for which the *<delay expression>* is being evaluated. They return boolean values. They take no arguments, and refer implicitly to the changes on the *<output nodes>* at the current time. The functions are of the format:

TRN_pc...where p refers to the prior state and c refers to the current state.

State values are chosen from the set {L, H, Z, \$}. The '\$' state refers to the 'don't care' state. Thus TRN_L\$ returns TRUE for a transition from the low state to any other state. Note that the states p and c must be different. There is no TRN_HH function, for instance. The complete list of functions is:

TRN_HL	TRN_HZ	TRN_H\$
TRN_LH	TRN_LZ	TRN_L\$
TRN_ZL	TRN_ZH	TRN_Z\$
TRN_\$H	TRN_\$L	TRN_\$Z

Transition functions using the Z state should be used only within TRISTATE sections. Open collector transitions should be modeled with the TRN_LH and TRN_HL functions.

PINDLY:

Marks the start of a group of one or more *<delay assignments>* used to assign path delays to the PINDLY input / output channels. A *<delay assignment>* is of the following form:

*<output node>** = { *<delay expression>* }

<output node>

One or more of the PINDLY *<output node>* names mentioned in the list, *<first digital output node>...<last digital output node>*. Several outputs may share the same rules by including them on the left side separated by spaces or commas.

<delay expression>

An expression which returns a set of three delay values (min,typ,max) for use on the specified output delay channel. There are two forms:

DELAY(*<min>*,*<typ>*,*<max>*)

This form simply specifies the delays directly. For example:

```
...
+PINDLY: OUT1 , OUT2 = { DELAY(10ns, -1, 20ns) }
...
```

Note the use of -1 causes the system to calculate the value using the unspecified propagation delay rules.

The second form uses a more complex CASE statement. Its form is:

```
CASE(<boolean expression_1>,<delay expression_1>, ;rule 1
<boolean expression_2>,<delay expression_2>, ;rule 2
...
<boolean expression_n>,<delay expression_n>, ;rule n
<default delay expression> )
```

The CASE statement is comprised of a set of one or more rules. Each rule has a *<boolean expression>* and a *<delay expression>* and is evaluated in the order listed in the CASE statement. The first *<boolean expression>* that returns TRUE causes the *<delay expression>* to be assigned to the *<output nodes>*. If no *<de-*

lay expression> returns TRUE, the <*default delay expression*> is assigned to the <*output nodes*>. Since this situation can easily occur, the <*default delay expression*> is mandatory.

Example

```
+ BOOLEAN:
+   DATA = { CHANGED(DI1,0) | CHANGED(DI2,0) |
+             CHANGED(DI3,0) | CHANGED(DI4,0) }
+   SELECT = {CHANGED(S1BAR,0) | CHANGED(S2,0) }
+   CLEAR = {CHANGED_HL(CLRBAR,0) }
+   STROBE = {CHANGED_HL(STB,0) }
+ PINDLY:
+   B1 B2 B3 B4 = {
+     CASE (
+       DATA & STROBE & TRN_HL, DELAY(-1,16ns,25ns),
+       CLEAR, DELAY(-1,14ns,22ns),
+       SELECT & TRN_LH, DELAY(-1,12ns,20ns),
+       DELAY(-1,17ns,26ns)) }
```

This example describes the delays on the four outputs B1...B4. They share four delay rules.

Rule 1: DATA & STROBE & TRN_HL, DELAY(-1,16ns,25ns)

Meaning: If DATA is TRUE (if any of the inputs DI1...DI4 have changed) and STROBE is TRUE (STB made a high to low transition), then the delay is (-1, 16ns, 25ns) for any output (B1...B4) making a high to low transition.

Rule 2: CLEAR, DELAY(-1,14ns,22ns)

Meaning: If CLEAR is TRUE (if CLRBAR has made a high to low transition), then the delay is (-1, 14ns, 25ns) for any of the outputs (B1...B4) making any transition.

Rule 3: SELECT & TRN_LH, DELAY(-1,12ns,20ns)

Meaning: If SELECT is TRUE (if either S1BAR or S2 has changed), then the delay is (-1, 12ns, 20ns) for any output (B1...B4) making a low to high transition.

Rule 4: DELAY(-1,17ns,26ns)

Meaning: If rules 1, 2, and 3 fails, then the delay is (-1, 17ns, 26ns) for any of the outputs (B1...B4) making any transition.

TRISTATE:

Marks the start of a group of one or more tri-state *<delay assignments>* used to assign path delays to tri-state input / output channels. Unlike a PINDLY, a TRISTATE is controlled by an *<enable node>*.

Following the TRISTATE: keyword, an *<enable node>* and its polarity are specified. The polarity is specified by choosing one of two keywords:

ENABLE LO means low state is the enabled state
ENABLE HI means high state is the enabled state

The *<enable node>* controls all *<output nodes>* in the current TRISTATE section.

The *<delay expressions>* in a TRISTATE section may employ the Z-state transition functions.

Simulation behavior

The PINDLY statement is evaluated when any input, enable, or output pin changes state. Each *<input node>* is associated with a corresponding *<output node>* in the same order of occurrence on the line. The BOOLEAN sections are evaluated first, then the PINDLY and TRISTATE sections are evaluated and the delays for changing *<output nodes>* calculated. Changing *<output nodes>* are then scheduled for a state change to the new *<input node>* state after the appropriate delay.

Example

This example shows a mixture of BOOLEAN, PINDLY, and TRISTATE sections:

```
U4DLY PINDLY(9,1,13) DPWR DGND
+ Q1 Q2 Q3 Q4 Q5 Q6 Q7 Q8 INTBAR_O
+ OE
+ STB M S1BAR S2 CLRBAR DI1 DI2 DI3 DI4 DI5 DI6 DI7 DI8
+ DO1 DO2 DO3 DO4 DO5 DO6 DO7 DO8 INTBAR
+ IO_S MNTYMXDLY={MNTYMXDLY} IO_LEVEL={IO_LEVEL}
+
+ BOOLEAN:
+ DATA = {CHANGED(DI1,0) | CHANGED(DI2,0) |
+          CHANGED(DI3,0) | CHANGED(DI4,0) |
+          CHANGED(DI5,0) | CHANGED(DI6,0) |
+          CHANGED(DI7,0) | CHANGED(DI8,0)}
+ SELECT = {CHANGED(S1BAR,0) | CHANGED(S2,0)}
```

```

+   MODE = {CHANGED(M, 0)}
+   CLEAR = {CHANGED_HL(CLRBAR, 0)}
+   STROBE = {CHANGED(STB, 0)}
+
+ TRISTATE:
+   ENABLE HI=OE
+   DO1 DO2 DO3 DO4 DO5 DO6 DO7 DO8 = {
+     CASE(
+       CLEAR & TRN_HL, DELAY(-1,18ns,27ns),
+       (STROBE | SELECT) & TRN_LH, DELAY(-1,18ns,27ns),
+       (STROBE | SELECT) & TRN_HL, DELAY(-1,15ns,25ns),
+       DATA & TRN_LH, DELAY(-1,12ns,20ns),
+       DATA & TRN_HL, DELAY(-1,10ns,20ns),
+       TRN_ZH, DELAY(-1,21ns,35ns),
+       TRN_ZL, DELAY(-1,25ns,40ns),
+       TRN_HZ, DELAY(-1,9ns,20ns),
+       TRN_LZ, DELAY(-1,12ns,20ns),
+       DELAY(-1,26ns,41ns))}
+
+ PINDLY:
+   INTBAR = {
+     CASE(
+       STROBE & TRN_HL, DELAY(-1,16ns,25ns),
+       SELECT & TRN_LH, DELAY(-1,12ns,20ns),
+       DELAY(-1,17ns,26ns))}

```

Constraint checker

The CONSTRAINT primitive provides a way of checking complex conditional timing parameters. It lets you check setup and hold time, pulse width and frequency, and includes a general user-defined check to model unique requirements. Constraints usually accept as inputs the part or subcircuit inputs and typically work in concert with logic expressions, pin-to-pin delays, and other digital primitives. Constraints are passive warning devices. They create timing violation messages and place them in the Numeric Output window. They normally do not affect simulation results. The I/O model attribute is required only to handle the case of an accidental connection of a Constraint digital node to an analog node.

SPICE format

```
U<name> CONSTRAINT(<no. of inputs>
+<digital power node> <digital ground node>
+<first digital input node>...<last digital input node>
+<I/O model name>
+[IO_LEVEL=<interface subckt select value>]
+[BOOLEAN:<boolean assignments>]
+[SETUP_HOLD:<setup_hold specifications>]
+[WIDTH:<width specifications>]
+[FREQ:<freq specifications>]
+[GENERAL:<general specifications>]
```

Schematic format

Constraints are usually found in the text file libraries. They aren't often used directly as schematic components, although they can be. For this reason, only a few sample constraint components are to be found in the Component library.

PART attribute

<name>

Example

C20

CONSTRAINT attribute

```
[BOOLEAN:<boolean assignments>]
+[SETUP_HOLD:<setup_hold specifications>]
+[WIDTH:<width specifications>]
+[FREQ:<freq specifications>]
+[GENERAL:<general specifications>]
```

This attribute is a full CONSTRAINT statement or, more commonly, the name of a CONSTRAINT statement defined with a .define statement in the text area.

Examples

C381_STD ;defined in the text area
WIDTH: NODE = MRBAR MIN_LO = 5n
FREQ: NODE = CP MAXFREQ = 130MEG

I/O MODEL attribute

<I/O model name>

Example

IO_STD

IO_LEVEL attribute

<interface subckt select value>

Example

0

POWER NODE attribute

<digital power node>

Example

\$G_DPWR

GROUND NODE attribute

<digital ground node>

Example

\$G_DGND

Special Component editor pin fields

Inputs <inputs>

The Component editor has a special 'Inputs' field for CONSTRAINTs. You don't edit these fields directly. Instead, you click in the Shape/Pin Display and add an input pin. This lets you define the names and pin locations of the input pins used by the constraint device.

Constraint devices are used mainly for modeling commercial parts, and are found principally in subcircuits in the Digital Library text files. Because they can have a large number of input pins, and since a component in the Component Library

requires the input pin placements, including all possible constraint devices in the library is not feasible. Only a few such devices are to be found in the library, and they are mainly for illustration. These devices are really targeted for use in text file subcircuits. While you can use them directly in schematics, their real power issues from their use in the models of commercial digital parts.

Format definitions

BOOLEAN:

Marks the start of a group of one or more *<boolean assignments>* used as temporary variables in subsequent *<specifications>*. A *<boolean assignment>* is of the following form:

<boolean variable> = {*<boolean expression>*}

<boolean expression>

This is the same as in the PINDLY, with the singular exception that the transition functions (TRN_pc) are not available.

SETUP_HOLD:

Marks the start of a *<setup_hold specification>*. The format is as follows:

+SETUP_HOLD:

+CLOCK *<assertion edge>* = *<input node>*

+DATA(*<no. of data inputs>*) = *<first input node>*...*<last input node>*

+[SETUPTIME=*<time value>*]

+[HOLDTIME=*<time value>*]

+[WHEN=*<boolean expression>*]

+[MESSAGE="*<extra message text>*"]

+[ERRORLIMIT=*<limit value>*]

The CLOCK argument *<input node>* defines the *input node* that serves as a reference for the setup/hold specification. The CLOCK *<assertion edge>* is one of the following:

LH This specifies that the clock low to high edge is the assertion edge.

HL This specifies that the clock high to low edge is the assertion edge.

The DATA arguments *<first input node>*...*<last input node>* specify one or more input nodes whose setup or hold time is to be measured. There must be at least one input node. The arguments must be separated by a space or a comma.

The SETUPTIME argument *<time value>* specifies the minimum time that all

DATA *<input nodes>* must be stable prior to the *<assertion edge>* of the clock. The *<time value>* must be positive or zero. If an *<input node>* has a setup time that depends upon whether the data is LO or HI, then you can use one of these specialized forms:

SETUPTIME_LO=*<time value>*

This is the setup time for a low data state prior to the clock *<assertion edge>*.

SETUPTIME_HI=*<time value>*

This is the setup time for a high data state prior to the clock *<assertion edge>*.

If either of these setup time specifications is zero, MC9 will skip its check.

The HOLDTIME argument *<time value>* specifies the minimum time that all DATA *<input nodes>* must be stable after the *<assertion edge>* of the clock. The *<time value>* must be positive or zero. If an *<input node>* has a hold time that depends upon whether the data is LO or HI, then you can use one of these:

HOLDTIME_LO=*<time value>*

This is the hold time for a low data state after the clock *<assertion edge>*.

HOLDTIME_HI=*<time value>*

This is the hold time for a high data state after the clock *<assertion edge>*.

How it works

The evaluation begins when the specified *Clock node* experiences the specified *<assertion edge>*. The WHEN *<boolean expression>* is evaluated and if TRUE, all SETUPTIME and HOLDTIME blocks with nonzero values are checked during this clock cycle. If the WHEN evaluates to FALSE, then no checks are done for this clock cycle. The WHEN function disables checking when it is inappropriate, as for example, during a RESET or PRESET operation.

Setup time checks occur at the CLOCK *<assertion edge>*. If the specified hold time is zero, simultaneous CLOCK and DATA transitions are allowed, but the previous DATA transition is checked for setup time. If the hold time is not zero, simultaneous CLOCK and DATA transitions are reported as errors. Hold time checks are done on any DATA input that changes after the CLOCK *<assertion edge>*. If the setup time is zero, simultaneous CLOCK and DATA transitions are allowed, but the next DATA transition occurring after the asserting edge is checked for hold time. If the setup time is not zero, simultaneous CLOCK and DATA transitions are reported as errors.

If either the CLOCK node or the DATA node are unknown, the check is skipped to avoid the profusion of errors that usually result. If a clock is X when DATA changes or vice-versa, the error has probably already been flagged elsewhere.

The constraint is checked only if *<boolean expression>* is true. If the number of constraint warning messages exceeds *<limit value>*, no further messages are issued. *<extra message text>* if any, is added to the standard error message.

WIDTH:

Marks the start of a group of one or more *<width specifications>* which have the following format:

+WIDTH:

+NODE=*<input node>*

+ [MIN_LO=*<time value>*]

+ [MIN_HI=*<time value>*]

+ [WHEN=*<boolean expression>*]

+ [MESSAGE="*<extra message text>*"]

+ [ERRORLIMIT=*<limit value>*]

The NODE argument, *<input node>*, defines the node whose input is to be checked for width.

The MIN_LO argument, *<time value>*, defines the minimum time that *<input node>* can be at the 0 level. If *<time value>* is specified as zero, the width check is not performed.

The MIN_HI argument, *<time value>*, defines the minimum time that *<input node>* can be at the 1 level. If *<time value>* is specified as zero, the width check is not performed.

At least one of the two forms, MIN_LO or MIN_HI must be present inside every WIDTH specification.

The constraint is checked only if *<boolean expression>* is true. If the number of constraint warning messages exceeds *<limit value>*, no further messages are issued. *<extra message text>* if any, is added to the standard error message.

FREQ:

Marks the start of a group of one or more *<freq specifications>* which have the following format:

```
+FREQ:  
+NODE = <input node>  
+[MINFREQ=<freq value>]  
+[MAXFREQ=<freq value>]  
+[WHEN=<boolean expression>]  
+[MESSAGE="<extra message text>"]  
+[ERRORLIMIT=<limit value>]
```

The NODE argument, <input node>, defines the node whose input is to be checked for frequency.

The MINFREQ argument, <freq value>, defines the minimum permissible frequency on <input node>.

The MAXFREQ argument, <freq value>, defines the maximum permissible frequency on <input node>.

Either MINFREQ or MAXFREQ must be present in every FREQ specification.

How it works

FREQ checks compare the frequency on <input node> with <freq value>. If the frequency is greater than MAXFREQ or less than MINFREQ, the appropriate error message is issued.

WIDTH checks compare the low and high pulse widths on <input node> with <time value>. If the high pulse width is less than MIN_HI or the low pulse width is less than MIN_LO, the appropriate error message is issued.

WIDTH and FREQ checks are identical if the pulse duty cycle is exactly 50%. Otherwise, the WIDTH check is somewhat more flexible, as it allows for the possibility of asymmetric duty cycles.

The constraint is checked only if <boolean expression> is true. If the number of constraint warning messages exceeds <limit value>, no further messages are issued. <extra message text> if any, is added to the standard error message.

GENERAL:

Marks the start of a group of one or more <general specifications> which have the following format:

+GENERAL:
+WHEN=<*boolean expression*>
+MESSAGE="<*message text*>"
+ERRORLIMIT=<*limit value*>

How it works

When any of the CONSTRAINT inputs change, the <*boolean expression*> is evaluated. If the result is TRUE, then an error message containing the simulation time and the <*message text*> is generated.

Constraint points to remember:

- Constraints may be one or many.
- Constraints may occur in any order.
- Constraints may be duplicated. That is, you can use more than one WIDTH or SETUP_HOLD specification.
- Constraints may include <*extra message text*> that is appended to the standard internally generated message text.
- Each constraint specification has its own ERRORLIMIT. The default value is copied from the Global Settings value of DIGERRDEFAULT. DIGERRDEFAULT, like all Global Settings values, may be overridden by using the .OPTIONS command. That is, placing the text,

```
.OPTIONS DIGERRDEFAULT=12
```

in your circuit changes the DIGERRDEFAULT value for the circuit. When more than ERRORLIMIT violations of the particular constraint check have occurred, no further messages are issued. Other constraints continue to issue messages.

- DIGERRLIMIT, from the Global Settings, is used to limit the total number of error messages from all sources.

Example

Here is an example of the CONSTRAINT used in a decade counter. Note the use of multiple WIDTH and SETUP_HOLD specifications.

```
Ucnstr CONSTRAINT(9) DPWR DGND
+   MRBAR PEBAR CP CEP CET D0 D1 D2 D3
+   IO_STD
+
+   FREQ:
+       NODE = CP
+       MAXFREQ = 130MEG
+   WIDTH:
+       NODE = CP
+       MIN_HI = 4ns
+   WIDTH:
+       NODE = MRBAR
+       MIN_LO = 5n
+   SETUP_HOLD:
+       CLOCK LH = CP
+       DATA(4) = D0 D1 D2 D3
+       SETUPTIME = 5n
+       WHEN = { (MRBAR != '0) }
+   SETUP_HOLD:
+       CLOCK LH = CP
+       DATA(2) = CET CEP
+       SETUPTIME_LO = 6n
+       SETUPTIME_HI = 11n
+       WHEN = { (MRBAR != '0) }
+   SETUP_HOLD:
+       CLOCK LH = CP
+       DATA(1) = PEBAR
+       SETUPTIME_HI = 11ns
+       SETUPTIME_LO = 7ns
+   SETUP_HOLD:
+       CLOCK LH = CP
+       DATA(1) = MRBAR
+       SETUPTIME = 5ns
```

Stimulus devices

Digital networks usually require stimulus devices for testing and simulation. These devices create a temporal sequence of digital states to stimulate the circuit. They are the digital equivalent of the analog sources, SIN, PULSE, USER, Voltage Source, and Current Source.

There are two types of sources. The stimulus generator (STIM), and the file stimulus (FSTIM). The STIM device uses a language of basic commands to create virtually any waveform. The FSTIM device reads its waveforms from an external file.

There is no timing model, since timing information is an inherent property of the stimulus devices.

Stimulus generator

The stimulus generator primitive provides a flexible language of commands for creating highly complex digital waveforms. Its format is as follows:

SPICE format

```
U<name> STIM(<width>,<format array>)  
+<digital power node> <digital ground node> <node>*  
+<I/O model name>] [IO_LEVEL=<interface subckt select value>]  
+[TIMESTEP=<stepsize>] <commands>*
```

Schematic format

PART attribute

<name>

Example

C20

FORMAT attribute

<format array>

Example

1111 ; four binary values

COMMAND attribute

<command_name>

Example

BINARY1/6

I/O MODEL attribute

<I/O model name>

Example

IO_STD

TIMESTEP attribute

[<stepsize>]

Example

10ns

IO_LEVEL attribute

<interface subckt select value>

Example

0

POWER NODE attribute

<digital power node>

Example

\$G_DPWR

GROUND NODE attribute

<digital ground node>

Example

\$G_DGND

Definitions

<width>

In a SPICE file, this is the number of signals or output nodes. For a schematic part, *<width>* is set when the part is entered in the Component library, so simply picking a STIM device from the library menu supplies this information.

<format array>

<command> statements use *<value>* statements to describe the output states.

<format array> is an array of characters that defines the data format to be used by *<value>*. It is a sequence of characters which specify the number of outputs (signals) that the corresponding character in *<value>* represents. Each character of *<value>* is assumed to be a number in base $2^{\langle m \rangle}$, where $\langle m \rangle$ is the corresponding character in *<format array>*. Each *<value>* has the same number of characters as *<format array>*. That is, if *<format array>* is '1111', then every *<value>* used in a *<command>* statement must have four characters also. The total number of characters in *<format array>* must equal *<width>*, and each character is chosen to reflect the data type (1 = Binary, 3 = Octal, 4 = Hex).

*<node>**

For SPICE components, this defines the output node names. For a schematic component, the nodes are acquired automatically and need no specification.

<stepsize>

The TIMESTEP argument *<stepsize>* defines the number of seconds per clock cycle. Transition times may be specified in clocks using the 'c' character. Actual *time* is the number of clocks times *<stepsize>*. The default value is zero.

<command_name>

This is a symbolic name for the digital pattern command. It is usually defined in the text area of the circuit (or a library file) in the following form:

```
.DEFINE <command_name> <command>*
```

where *<command>** is a set of stimulus commands and is defined as follows:

*<command>**

<<*time*> <*value*>>

<LABEL=<*label name*>>

<<*time*> GOTO <*label name*> <*n*> TIMES>

<<*time*> GOTO <*label name*> UNTIL GT <*value*>>

<<*time*> GOTO <*label name*> UNTIL GE <*value*>>

<<*time*> GOTO <*label name*> UNTIL LT <*value*>>

<<*time*> GOTO <*label name*> UNTIL LE <*value*>>

<<*time*> INCR BY <*value*>>

<<*time*> DECR BY <*value*>>

REPEAT FOREVER

REPEAT <*n*> TIMES

ENDREPEAT

<time>

This specifies the time that the new value occurs, or that the INCR, DECR, or GOTO command is executed. *<value>* can be specified in two units (clocks and seconds) and in two forms (absolute and relative). To express the *<time>* in clocks, add the suffix 'C' to the number, as in '5C'. To express the *<time>* in seconds, use the suffix 'S' or none at all.

Relative time is measured from the last time. Absolute time is measured from the start of the simulation. To use relative time, prefix the plus '+' character to *<time>* as in '+10ns, or '+23C'.

<value>

This defines the new value for each output node as interpreted by *<format array>*. *<value>* is chosen from the binary set { 0, 1, R, F, X, Z, ? }, the octal set {0-7}, or the hex set {0-F}. The '?' character specifies a single random state of 1 or 0. RND specifies an array of random states, one for each output node.

<label name>

This identifies locations for GOTO statements. GOTO *<label name>* causes a jump to the statement following the 'LABEL=*<label name>*' statement.

<n>

This is the number of times to repeat a GOTO loop. A value of -1 creates a loop that repeats forever.

Notes

- Absolute times within loops are converted to relative times based upon the last used time and the last used increment size.
- GOTO labels must have been previously defined in a LABEL statement. No forward references are allowed.
- Absolute time values must be in ascending order, except that the time after a GOTO may be the same as the GOTO.
- When a GOTO command directs execution to the first statement following its specified label, the program ignores the time value of this first statement.
- UNTIL GT *<value>* means the loop executes until the node(s) value is greater than *<value>*. Similarly, GE means greater than or equal to, LT means less than, and LE means less than or equal to.

Stimulus generator examples

The examples that follow show how to code various waveforms. Examples 1, 2, and 3 use a STIM1 (one output). Example 4 uses a STIM2 (two output). Example 5 uses a STIM8 (eight output) device.

For schematics:

For the FORMAT and COMMAND attributes, enter the following:

Example	FORMAT	COMMAND
1	1	IN1
2	1	IN2
3	1	IN3
4	11	IN4
5	44	IN5

In the text area of the schematic, in the grid text, or in the MCAP.INC, define the commands IN1, IN2, IN3, IN4, and IN5 as follows:

```
.DEFINE IN1  
+0NS 1  
+10NS 0  
+20NS 1
```

```
.DEFINE IN2  
+ +0NS 1  
+ +10NS 0  
+ +10NS 1
```

```
.DEFINE IN3  
+ 0NS 0  
+LABEL=BEGIN  
+ +5NS 1  
+ +5NS 0  
+ +5NS GOTO BEGIN -1 TIMES
```

```
.DEFINE IN4
+LABEL=BEGIN
+ +0NS 00
+ +5NS 01
+ +5NS 10
+ +5NS 11
+ +5NS GOTO BEGIN -1 TIMES
```

```
.DEFINE IN5
+LABEL=BEGIN
+ +0NS INCR BY 01
+ +10NS GOTO BEGIN UNTIL GE 06
+ +10NS F0
+ +10NS F1
```

The digital outputs generated by these patterns are included with the SPICE examples shown in the following pages.

You can also see the patterns by running the circuit file STIMSAMP.CIR, which contains STIM sources with all of these patterns. Additional examples of stimulus commands can be found in the sample circuit STIM_DEMO.CIR.

For SPICE text files:

The following examples illustrate how to create the same patterns in SPICE files.

Example 1

The first example is a single output device exhibiting a single zero pulse starting at 10ns and lasting to 20ns. There are no loops.

```
U1 STIM(1,1) $G_DPWR $G_DGND
+ 1 ;Output node number
+ IO_STD
+ 0NS 1
+ 10NS 0
+ 20NS 1
```

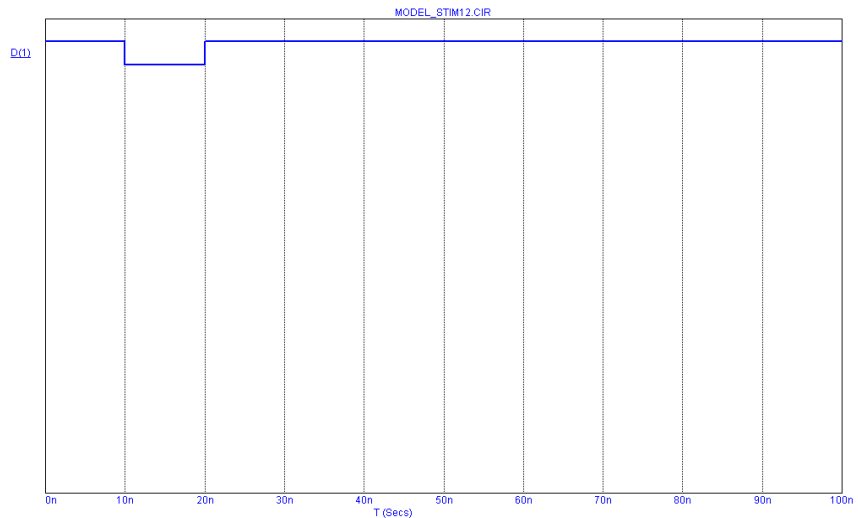


Figure 23-4 Stimulus waveform for examples 1 and 2

Example 2

The next example produces the same output as the first example, but uses relative times instead of absolute times.

```
U1 STIM(1,1) $G_DPWR $G_DGND
+ 1 ;Output node number
+ IO_STD
++ 0NS 1
++ 10NS 0
++ 10NS 1
```

The first transition occurs at 0ns, the next at $0\text{ns}+10\text{ns}=10\text{ns}$, and the last occurs at $0\text{ns}+10\text{ns}+10\text{ns} = 20\text{ns}$, the same as in the first example.

Example 3

This shows how to create a single output alternating 0 - 1 sequence.

```
U1 STIM(1,1) $G_DPWR $G_DGND
+ 1 ;Output node number
+ IO_STD
+ 0NS 0
+ LABEL=begin
++ 5NS 1
++ 5NS 0
++ 5NS GOTO begin -1 TIMES
```

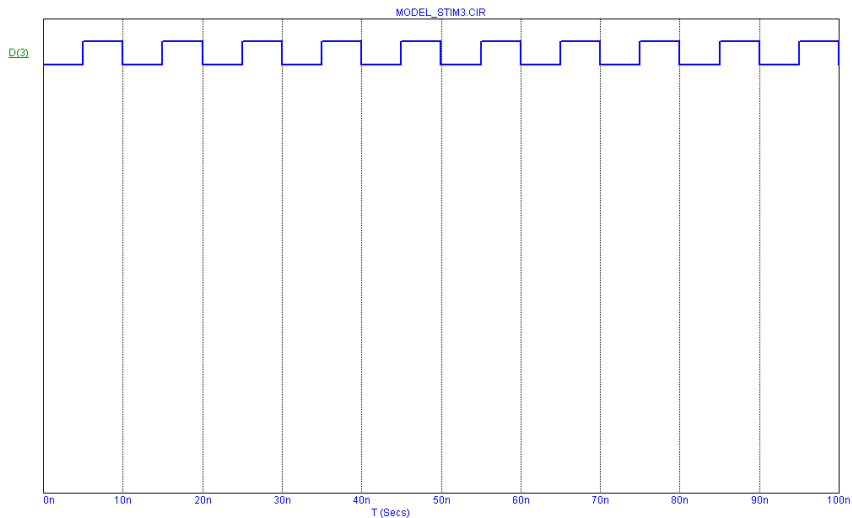


Figure 23-5 Stimulus waveform for example 3

Execution begins at T=0ns with the output set to '0'. At T=5ns (0ns+5ns), the output is set to '1'. At T=10ns (5ns+5ns), the output is set to '0'. At T=15ns (10ns+5ns), the GOTO is executed and control passes to the '+5ns 1' statement following the 'LABEL=begin' statement. The time instruction (+5ns) is ignored and the output is set to '1'. The <time> value of the first statement executed as a result of a GOTO is always ignored. The same waveform can be achieved by replacing the portion "+ LABEL=begin...+ 5NS GOTO begin -1 TIMES" with:

```
+ REPEAT FOREVER
++ 5NS 1
++ 5NS 0
+ ENDREPEAT
```


Example 4

This example shows how to create a two-output alternating 0 - 1 sequence.

```
U1 STIM(2,11) $G_DPWR $G_DGND
+ 1 2 ;Output node numbers
+ IO_STD
+ LABEL=begin
++ 0NS 00
++ 5NS 01
++ 5NS 10
++ 5NS 11
++ 5NS GOTO begin -1 TIMES
```

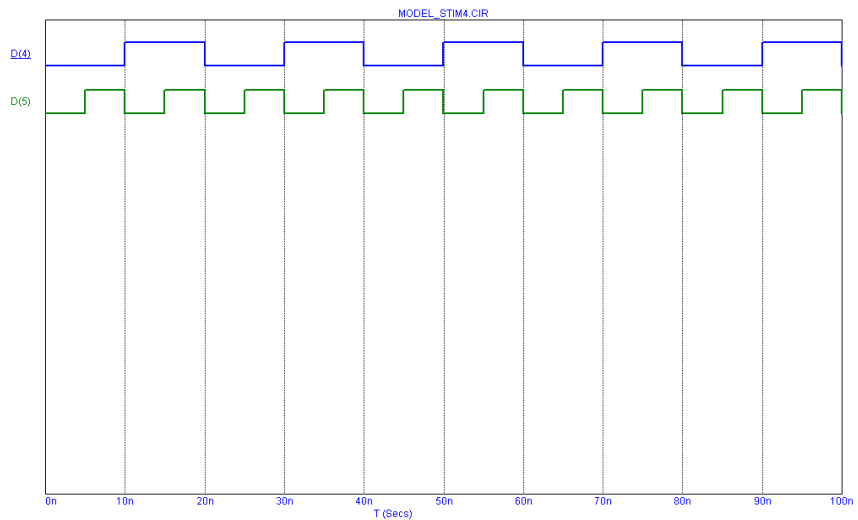


Figure 23-6 Stimulus waveform for example 4

Notice that the STIM(2,11) statement specifies two outputs with a binary format. Execution begins at the '+ 0NS 00' statement, where the outputs are set to '00'. The next command, '+ 5NS 01', occurs at T=5ns (0ns+5ns), where the outputs are set to '01'. The next command, '+ 5NS 10', occurs at T=10ns (5ns+5ns), where the outputs are set to '10'. The next command, '+ 5NS 11', occurs at T=15ns (10ns+5ns), where the outputs are set to '11'. The next command, '+ 5NS GOTO begin -1 TIMES', occurs at T=20ns (15ns+5ns). It causes a jump to the statement '+ 0NS 00' (the one following the 'LABEL=begin' command). From here the loop simply repeats until the end of the simulation run.

Example 5

This next example shows how to use the INCR and UNTIL commands.

```
U1 STIM(8,44) $G_DPWR $G_DGND
+ 1 2 3 4 5 6 7 8
+ IO_STD
+ LABEL=begin
++ 0NS INCR BY 01 ;Increment by hex 01
++ 10NS GOTO begin UNTIL GE 06 ;Count until 06 hex
++ 10NS F0 ;After 10NS goto F0 hex
++ 10NS F1 ;After 10NS goto F1 hex
```

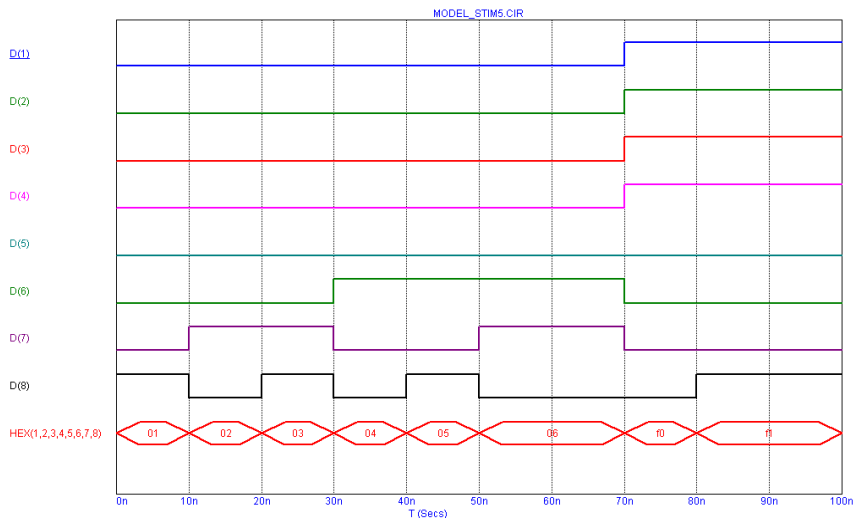


Figure 23-7 Stimulus waveform for example 5

This STIM generates eight outputs. The sequence begins with the eight outputs set to 00 hex during the operating point. At 0ns, the outputs are incremented by 01 from 00 to 01. At 10ns, the GOTO-UNTIL is checked and found to be true. Control is passed to the INCR statement following the LABEL=begin, where the outputs are incremented to 02. At T = 50ns, the outputs have reached 05 and the GOTO-UNTIL test sends execution back to the INCR command. This command at T=50ns, increments the outputs to 06. At T = 60ns, the outputs are at 06 and the GOTO-UNTIL test fails. Execution drops to the '+10NS F0' command and T=70ns. The outputs go to F0 and then execution drops to the '+10NS F1' command and T=80ns. The outputs go to F1 and the STIM program terminates, leaving the outputs at F1 for the remainder of the run.

The File Stimulus device

The File Stimulus device lets you import digital waveforms from a text file. This device lets you import digital waveforms from other simulators or from the MC9 output file (with some editing).

File Stimulus input file format

The File Stimulus device expects to read a file in the following format:

<Header>

One or more blank lines

<Transition tables>

<Header>

This consists of the following:

[TIMESCALE=*<time scale value>*]

[*<first signal name>*...*<last signal name>*]

OCT(*<signal name bit 3>*...*<signal name of lsb>*)...

HEX(*<signal name bit 4>*...*<signal name of lsb>*)...

<Header> contains the optional [TIMESCALE=*<value>*] line and a single line list of signal names. The signal names may be separated by spaces, commas, or tabs. The line may not be continued with the continuation character '+'. The line may contain up to 256 signals. The signal names will be associated with signal values from the *<Transition tables>*, in the same order.

The optional OCT(*<sig3>*, *<sig2>*, *<sig1>*) radix function lets you declare segments of the transition table as octal numbers. It decodes each octal digit from the table into three binary values and assigns these values to the three signal names. The function must have exactly three signal names as arguments and it consumes one octal digit from each row in the transition table.

The optional HEX(*<sig4>*, *<sig3>*, *<sig2>*, *<sig1>*) radix function lets you declare segments of the transition table as hex numbers. It decodes each hex digit into four binary values and assigns the values to the four signal names. The function must have exactly four signal names as arguments and it consumes one hex digit from each row in the transition table.

Signal names not using the HEX or OCT function are assumed to be in binary format. Each signal name in binary format consumes exactly one binary digit from the transition table.

The total number of physical outputs is:

$$\text{Outputs} = \text{binary names} + 3 \cdot \text{octal names} + 4 \cdot \text{hex names}$$

The total number of digits in the state portion of the transition table will be:

$$\text{Digits} = \text{binary names} + \text{OCT statements} + \text{HEX statements}$$

<Transition tables>

The transition table format is as follows:

*<time> <state value>**

<Transition tables> start on the first non-blank line following the *Header*. Each line must contain a transition time, *<time>*, followed by a space or tab, followed by one or more *<state values>*.

<time>

<time> is always expressed as an integer. It may be absolute or, if preceded by a '+', relative to the previous time. The *<time>* value is multiplied by the *<time scale value>* to get the actual transition time.

<value>

Each digit of *<value>* provides one state for each binary signal name, three states for each OCT set of three signal names, or four states for each HEX group of four signal names. Each digit is stripped from the table and assigned to the signal names in the same left-to-right order. The list of valid digits are:

	Binary	Octal	Hex
Logic state	0,1	0-7	0-F
Unknown	X	X	X
High impedance	Z	Z	Z
Rising	R	R	None
Falling	F	F	None

Table 23-21 File Stimulus device digit codes

Transition Table example

TIMESCALE=1NS

A B C D HEX(A4,A3,A2,A1) OCT(D3,D2,D1)

0 0000F3 ; transition *time* =0
1 000104 ; transition *time* =1NS
+2 001015 ; transition *time* =3NS (1NS+2NS)
5 001126 ; transition *time* =5NS

SPICE format

U<name> FSTIM(<no. of outputs>)

+<digital power node> <digital ground node>

+<node>*

+<I/O model name>

+ FILE=<stimulus file name>

+ [IO_LEVEL=<interface subckt select value>]

+ [SIGNAMES=<signal names from stimulus file>]

Schematic format

PART attribute

<name>

Example

FS1

I/O MODEL attribute

<I/O model name>

Example

IO_STD

FILE attribute

<file_name>

Example

MYFILE.STM

REPEAT attribute

<count>

Example

1

IO_LEVEL attribute
<interface subckt select value>

Example
0

SIGNAMES attribute
<signal names from stimulus file>

Example
CLEAR PRESET Q QB

POWER NODE attribute
<digital power node>

Example
\$G_DPWR

GROUND NODE attribute
<digital ground node>

Example
\$G_DGND

Definitions

<no. of outputs>

In a SPICE file, this specifies the number of signals or output nodes. For schematic components, this value is defined when the component is first entered into the Component library. Simply picking an FSTIM device from the Component library menu supplies this information.

<digital power node> <digital ground node>

These nodes are used by the I/O circuits.

<node>*

For SPICE circuit components, this list defines the output nodes. For a schematic circuit component, this data is automatically acquired from the output node numbers or node names. Node names are defined by the user by placing grid text on the output nodes. The number of names in this list must equal <no. of outputs>.

<I/O model name>

This *name* references an I/O model statement which specifies the electrical inter-

face to be used when an analog node and digital node connect. It also specifies the DRVH and DRVL impedances that determine signal strengths when an output is wired to another digital output.

<file_name>

This is the stimulus file name specified as a text string enclosed in double quotes.

<count>

This is the number of times the waveform will occur on the output. A value of 1 will create one occurrence of the waveform.

<interface subcircuit select value>

This selects one of four interface circuits named in the I/O model. These circuits are used at the digital/analog interface.

<signal names from stimulus file>

This selects one or more of the signal names from the stimulus file *<Header>* for use by one of the output nodes, *<node>**. The signal from the stimulus file is assigned to drive the *<node>* positionally associated with it. If no signal names are specified, then the program will expect to find signal names in the stimulus file that match the output node names, *<node>**. This command must be the last command in a SPICE file component specification.

Example 1

```
U1 FSTIM(3) $G_DPWR $G_DGND
+ A B C
+IO_FS
+FILE="PATTERN.STM"
```

In Example 1, there is no SIGNAMES command, so the stimulus file PATTERN.STM must contain the signal names A, B, and C in the *<Header>*. The signals for A, B, and C would be assigned to the FSTIM outputs A, B, and C.

Example 2

```
U2 FSTIM(3) $G_DPWR $G_DGND
+ A B C
+IO_FS
+FILE="PATTERN.STM"
+ SIGNAMES=X Y Z
```

In Example 2, there is a SIGNAMES command, so the stimulus file PATTERN.STM must contain the signal names X, Y, and Z in the <Header>. The signals for X, Y, and Z would be assigned to the FSTIM outputs A, B, and C.

Example 3

```
U3 FSTIM(4) $G_DPWR $G_DGND
+ TOM RAY CAR TALK
+IO_FS
+FILE="PATTERN.STM"
+ SIGNAMES=CLIK CLAK
```

The stimulus file PATTERN.STM must contain the signal names CLIK, CLAK, CAR, and TALK. The signals for CLIK and CLAK would be assigned to the FSTIM outputs TOM and RAY respectively. The signals for CAR and TALK would be assigned to the FSTIM outputs CAR and TALK respectively.

The sample circuit FSTIM8 illustrates the use of the file stimulus device.

I/O model

I/O models provide the information necessary to determine the output strength when devices are wire-ored together, and to create the interface circuits when the digital part is connected to an analog part.

I/O models capture the electrical information common to the IC technology and circuit techniques used to design and build them. Thus, a typical digital family will have only four or five I/O models. The only difference in the I/O models within a digital family is to account for the different circuits employed at the input or output, as, for example, in open-collector outputs and Schmitt-trigger inputs.

I/O model format

.MODEL <I/O model name> UIO ([*model parameters*])

Parameter	Description	Units	Default
INLD	Input load capacitance	farad	0
OUTLD	Output load capacitance	farad	0
DRVH	Output high level resistance	ohm	50
DRVL	Output low level resistance	ohm	50
DRVZ	Output Z state resistance	ohm	250K
INR	Input leakage resistance	ohm	30K
TSTOREMN	Min storage time for charge storage node	sec	1E-3
AtoD1	AtoD interface circuit for level 1		AtoDDefault
DtoA1	DtoA interface circuit for level 1		DtoADefault
AtoD2	AtoD interface circuit for level 2		AtoDDefault
DtoA2	DtoA interface circuit for level 2		DtoADefault

Table 23-22 I/O model parameters

Parameter	Description	Units	Default
AtoD3	AtoD interface circuit for level 3		AtoDDefault
DtoA3	DtoA interface circuit for level 3		DtoADefault
AtoD4	AtoD interface circuit for level 4		AtoDDefault
DtoA4	DtoA interface circuit for level 4		DtoADefault
TSWLH1	Low to high switching time for DtoA1	sec	0
TSWLH2	Low to high switching time for DtoA2	sec	0
TSWLH3	Low to high switching time for DtoA3	sec	0
TSWLH4	Low to high switching time for DtoA4	sec	0
TSWHL1	High to low switching time for DtoA1	sec	0
TSWHL2	High to low switching time for DtoA2	sec	0
TSWHL3	High to low switching time for DtoA3	sec	0
TSWHL4	High to low switching time for DtoA4	sec	0
TPWRT	Pulse width rejection threshold	sec	prop delay
DIGPOWER	Power supply subcircuit name		DIGIFPWR

Table 23-22 I/O model parameters (continued)

INLD and OUTLD are used to compute the optional loading delay. This value increases the propagation delay through the device to account for excessive capacitive loading on the node caused by high fan-out. Fan-out is the number of gate inputs connected to a device's output.

DRVH and DRVL are the high state and low state impedances used to determine output strength. Strength is used to resolve the output state when a digital output is connected to other digital outputs.

DRVZ, INR, and TSTOREMN are used to determine which nodes are to be treated as charge storage nets. *Charge storage nets are not available in the current version.*

AtoD1 through AtoD4 and DtoA1 through DtoA4 supply the names of the interface circuits. INLD and the AtoD names do not apply to stimulus sources since they do not have inputs. Refer to the "Analog/digital interface" section for more information.

The switching times TSWLH1... TSWLH4 and TSWHL1...TSWHL4 are subtracted from the digital device's propagation delay on outputs which are connected to analog devices. The purpose is to compensate for the time it takes the DtoA interface circuit to switch. By compensating in this way, the analog signal at the other side of the DtoA interface should reach the switching level just when the digital device does at the stated delay. The values for these switching delays are determined by attaching a nominal load to a digital output, and measuring the switching time. If the switching time is greater than the stated delay, a delay of zero is used. These parameters are used only when analog nodes are connected to digital outputs.

The DIGPOWER parameter specifies the name of the power supply subcircuit to be used when an AtoD or DtoA interface is required. The default value is DIGIFPWR. This power supply subcircuit can be found in the DIGIO.LIB. It is the standard circuit for TTL circuits.

Note that the TPWRT parameter is not included in the current version. It is accepted as a parameter, but not processed.

Digital / analog interface devices

When a digital node and an analog node are connected together in a circuit, the system breaks the connections and inserts between the two parts the interface circuit specified in the I/O model. These interface circuits contain analog devices like resistors, capacitors, diodes, and transistors. They also contain either an analog to digital or digital to analog interface device. These devices provide the fundamental translation between the analog and digital circuits.

Digital input device (N device)

When a digital output node is connected to an analog node, the interface circuit requires an N device. Its function is to translate digital levels to analog voltages and impedances to drive the analog node.

SPICE format

```
N<name> <interface node> <low level node> <high level node>  
+<model name>  
+ DGTLNET=<digital node name>  
+<I/O model name>  
+[IS=<initial state>]
```

Schematic format

PART attribute
<name>

Example
FS1

MODEL attribute
<model name>

Example
D0_AD

I/O MODEL attribute
<I/O model name>

Example
IO_STD

IS attribute
<initial state>

Example
1

Model form

.MODEL <model name> DINPUT ([model parameters])

Parameter	Description	Units	Default
CLO	Capacitance to low level node	farad	0
CHI	Capacitance to high level node	farad	0
S0NAME	State '0' character abbreviation		
S0TSW	State '0' switching time	sec	
S0RLO	State '0' resistance to low level node	ohm	
S0RHI	State '0' resistance to high level node	ohm	
S1NAME	State '1' character abbreviation		
S1TSW	State '1' switching time	sec	
S1RLO	State '1' resistance to low level node	ohm	
S1RHI	State '1' resistance to high level node	ohm	
.	.		
.	.		
.	.		
S19NAME	State '19' character abbreviation		
S19TSW	State '19' switching time	sec	
S19RLO	State '19' resistance to low level node	ohm	
S19RHI	State '19' resistance to high level node	ohm	

Table 23-23 The N device model parameters

When a digital device output is connected to an analog node, MC9 automatically breaks the connection and inserts the DtoA circuit specified in the I/O model. That circuit always employs an N device, whose function is to translate the digital states to impedance changes on the analog side. The process is described in more detail in the "The analog / digital interface" section in this chapter.

The equivalent circuit of the N device is as follows:

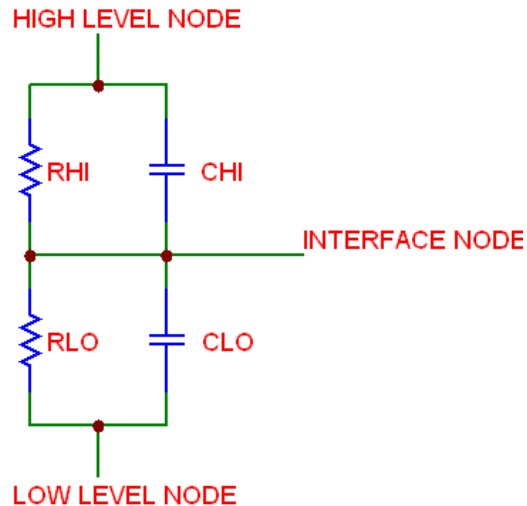


Figure 23-8 N device equivalent circuit

The N device contains two resistors and two optional capacitors. The resistor values change in response to changes in the digital input. In a SPICE file, the digital input node is specified by *<digital node name>*. In a schematic, the digital input node is simply the node associated with the 'Digital' pin of the N device. When this digital input node changes from a '0' to a '1', the value of RHI changes linearly versus time from the '0' state high resistance to the '1' state high resistance. Similarly, the value of RLO changes linearly versus time from the '0' state low resistance to the '1' state low resistance.

The transition from the old resistance to the new resistance is accomplished in a linear fashion over the switching time specified in the DINPUT model for the new state. The output voltage changes from the old level to the new level during the switching time. The output curve looks somewhat like an exponential due to the simultaneous change of the two resistor values. The transition values of resistance for each state are obtained from the DINPUT model. Normally the *<high*

level node> and <*low level node*> are connected to the voltage sources that correspond to the highest and lowest logic levels. The connection is

usually made within the particular DtoA interface circuit called for in the I/O model.

Digital inputs may be any of the following states {0, 1, R, F, X, Z}. The N device will generate an error message if any state other than these are presented.

The initial condition of the digital input to the N device is determined during the initial operating point calculation. To override this value, you can use the IS command:

IS=<*initial state*>

The digital input is set to <*initial state*> at $T = t_{min}$ and remains there until one of the devices driving the node changes the node's state.

Digital output device (O device)

When a digital input node is connected to an analog node, the A/D interface circuit requires an O device. Its function is to translate analog voltages into digital levels on the digital node.

SPICE format

```
O<name> <interface node> <reference node>  
+<model name>  
+ DGTLNET=<digital node name>  
+<I/O model name>
```

Schematic format

PART attribute
<name>

Example
FS1

MODEL attribute
<model name>

Example
D_AD

I/O MODEL attribute
<I/O model name>

Example
IO_STD

When a digital device input is connected to an analog node, the system automatically breaks the connection and inserts the AtoD circuit specified in the I/O model. That circuit always employs an O device. The function of the O device is to translate the analog voltages on the analog side to digital states on the digital side. The exact process is described in more detail in the "The analog/digital Interface" section of this chapter.

Model form

```
.MODEL <model name> DOUTPUT ([model parameters])
```


Parameter	Description	Units	Default
RLOAD	Output Resistance	ohm	1/Gmin
CLOAD	Capacitance to high level node	farad	0
SONAME	State '0' character abbreviation		
S0VLO	State '0' low level voltage	volt	
S0VHI	State '0' high level voltage	volt	
S1NAME	State '1' character abbreviation		
S1VLO	State '1' low level voltage	volt	
S1VHI	State '1' high level voltage	volt	
.	.		
.	.		
.	.		
S19NAME	State '19' character abbreviation		
S19VLO	State '19' low level voltage	volt	
S19VHI	State '19' high level voltage	volt	
SXNAME	State to use when the voltage is outside all state ranges		

Table 23-24 The O device model parameters

The equivalent circuit of the O device is as follows:

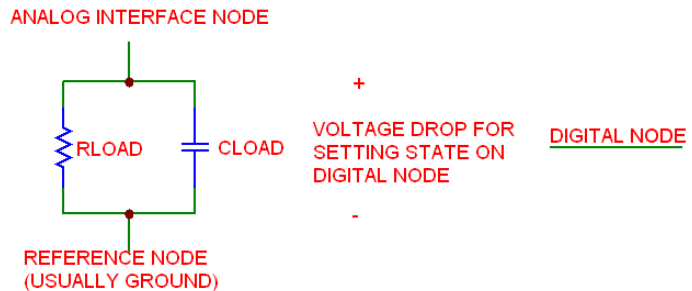


Figure 23-9 O device equivalent circuit

The O device contains a resistor, RLOAD, in parallel with a capacitor, CLOAD. They are connected between the analog *<interface node>* and the *<reference node>*, which is usually analog ground. The analog voltage across the parallel combination is monitored by the O device. The digital output of the O device is the state whose 'State N low level voltage' and 'State N high level voltage' bracket the actual voltage across the parallel RC network. To determine which bracket contains the voltage level, a progressive search is employed. The search starts at the current state bracket. If the voltage is outside the state range, it tries the next highest bracket. If the search fails at state 19, it checks state 0. If this fails, it tries the next highest state. If the entire model is unsuccessfully searched, the system uses the SXNAME if it has been defined. Otherwise it uses the state with the nearest voltage match.

This searching algorithm allows for the easy creation of hysteresis loops. Consider the following model statement:

```
S0NAME='0' S0VLO=-1.5 S0VHI=1.7  
S1NAME='1' S1VLO=0.9 S1VHI=7.0
```

Suppose the voltage starts at 0.0. The digital level is '0'. As the voltage rises it must exceed the 'S0VHI=1.7' value to exit the '0' state. When it does, it drops into the '1' state. When the voltage starts to decline, it must drop below the 'S1VLO = 0.9' level to drop into the '0' state. This provides a hysteresis value of $S0VHI - S1VLO = 1.7 - 0.9 = 0.8$ volts. Similar hysteresis values can be designed into the other states.

The state characters used in the model statement must be chosen from the following set,

0, 1, R, F, X, Z

The 'Z' state is usually not used since it conveys no level information and is really just a statement about the impedance level. Other characters will generate error messages and stop the simulation.

What's in this chapter

This chapter describes the various libraries found in Micro-Cap. It explains how they are created, edited, and used.

This chapter describes:

- The Shape Library
- The Package Library
- The Component Library
- The Model Library

Features new in Micro-Cap 9

- New Component Panel provides easy access to the Component Library.
- Components now have a shape group as well as a shape name, allowing easy switching between shape families.
- Components now have an assignable URL link for quick access to internet or local disk documents.

The Shape Library

The Shape Library contains the graphical shapes used in schematics to represent components. Each shape is comprised of one or more graphical primitives and possibly other shapes. Shapes are created, edited, and maintained by the Shape Editor. The name of the file that holds the original standard Shape Library is called STANDARD.SHP. During the MC9 installation this file is placed in the same directory as the MC9.EXE, but can be relocated from within the Shape Editor. If the file is located on a read only directory, and if the user does not have write privileges, all edit commands are locked out. This provides secure LAN access to the library to all users, but assures that only individuals with write privileges can alter the file.

It is possible to have more than one shape library. Multiple libraries can be maintained and viewed with the Shape Editor. It is recommended that the original shape library, STANDARD.SHP, be left unmodified in its original state. New shapes can be added to a user-created auxiliary library. This way, when the program is reinstalled or updated, the STANDARD.SHP library file can be safely copied over and any updates made available to the user.

The Package Library

The Package Library contains the pin and package information needed to create netlist files for interfacing with external PCB packages. For each component that is included in a PCB netlist file, there must be an entry in the Package Library. These entries are created, edited, and maintained by the Package Editor. The name of the file that holds the original Package Library supplied with MC9 is called STANDARD.PKG.

If the file is located on a read only directory, and if the user does not have write privileges, all edit commands are locked out. This provides secure LAN access to the library to all users, but assures that only individuals with write privileges can alter the file.

The Component Library

The Component Library provides the circuit parts used in MC9 schematics. They store the following information about the parts:

- Name of each component (e.g. 2N2222A)
- Its shape group (e.g. Main, Euro, Polarity)
- Its shape name (e.g. NPN)
- Electrical definition (e.g. NPN)
- Component attribute text placement (e.g. where to print the part name)
- Pin names and text placement (e.g. where to print the collector, base, and emitter pin names)
- Cost attribute (e.g. 0.15)
- Power attribute (e.g. 500mW)
- Palette field (e.g. my_comps)
- Memo field (e.g. NPN General Purpose Transistor 30V .8A)
- Link field (e.g. <http://www.linear.com/products/LT3481>)

The entries provide schematic information and do not directly provide electrical modeling information. Macros and subcircuits indirectly provide such information, since the part name refers to the macro file name or the subcircuit name, indirectly dictating electrical behavior.

The Link field is new with MC9. It is intended to provide a convenient location to place a reference for the part, perhaps a data sheet or application note. The default link is setup to do a Google search for the part name + " data sheet". For example the 2N2608 JFET would have a search string of:

```
"2N2608"+"data sheet"
```

All components, from resistors to macros and SPICE subcircuits are selected from a component library. There can be more than one such file. All component library files use the extension CMP.

The original component library file supplied with MC9 is STANDARD.CMP. During the original Micro-Cap installation, this file is placed in the same directory as the MC9.EXE, but can be relocated from within the Component Editor. If the file is located on a read only directory, and if the user does not have write privileges, all edit commands are locked out. This provides secure LAN access to the library to all users, but assures that only individuals with write privileges can alter the file.

The library is organized hierarchically into these groups:

- Analog Primitives
- Analog Library
- Digital Primitives
- Digital Library
- Animation
- Import (Present when at least one component has been imported)
- Filters (Present when at least one filter macro has been created by the user)
- Macros (Present when at least one macro circuit has been created by the Make Macro command)

Components in the Analog and Digital Primitives section require a model name, or for simple components, like resistors, a value. These are the "roll your own" parts.

Components in the Analog and Digital Library sections do not require a model name. The user need only select the desired part name. With these parts, the model or subcircuit name is equated automatically to the part name. Selecting a part name also selects the model, subcircuit, or macro name used to access the electrical modeling information.

Model statements and subcircuits for the parts in the Analog Library and Digital Library are already available in the Model library and are accessed with the default '.LIB NOM.LIB' statement implicit in every circuit.

It is possible to use or have more than one component library. Multiple libraries can be maintained, merged, and viewed with the Component Editor, but it is recommended that the original library, STANDARD.CMP, should be left unmodified in its original state.

Use the Add Part wizard to add new parts to the Component Library. See Chapter 4, "The Component Editor".

The Model Library

This library provides the detailed electrical modeling information required for any type of analysis or simulation. The MC9 model library is contained in the set of files listed in the index file, NOM.LIB, found in the LIBRARY path or folder. If you examine the files listed in NOM.LIB, you will find that the models are provided in four formats:

Model parameters lists: These are lists of part names, types, and model parameters. The lists are stored in binary files using the extension LBR. These files can be viewed and edited only with the Model Editor. The Model Editor is invoked by loading any file with the LBR extension. Much of the Analog Library is stored in this form. Most vendor supplied models are subcircuits contained in text files using the extension LIB.

Model statements: These are conventional SPICE .MODEL statements. They hold the part names, types, and model parameters. They are stored in text files using the LIB extension. These are primarily used as a part of the subcircuit form of modeling.

Subcircuits: These are conventional SPICE subcircuits that describe the equivalent circuit for the part. The subcircuits are stored in text files using the LIB extension. All of the Digital Library is implemented with subcircuits.

Macros: These are conventional MC9 macros that describe the equivalent circuit for the part. The general macros are stored in schematic files using the CIR or MAC extension. The specific macro call that implements a particular part model is stored as a macro call in a text file using the LIB extension. Some parts of the Analog Library are implemented in this form.

Of these four basic forms, the most common are the model parameter lists and subcircuits.

Micro-Cap creates an index file for each model library file to rapidly access the models within. These index files are normally written at the same location as the model file itself. If the model library file is located in a read-only location (such as a public LAN folder), the index is written to a private folder within the MC9 folder.

How models are accessed

When you select an analysis, MC9 accesses electrical modeling information for any parts in the circuit that require models. How does it do this? It searches for the modeling information (model parameter lists, model statements, subcircuits, or macro statements) in the following order:

Local Search within the circuit:

- If the circuit is a schematic:
 - In the grid text or text area
 - In the file named in the File attribute (if the device has one).
 - In one or more files named in a *.LIB filename* statement.
 - In one or more files named in the default *.LIB NOM.LIB* statement.
- If the circuit is a SPICE text file:
 - In the circuit description text.
 - In one or more files named in a *.LIB filename* statement.
 - In one or more files named in the default *.LIB NOM.LIB* statement.

Global Search using library paths:

The search is conducted in this order:

- 1) Any path from a *.PATH LIBRARY* command within the circuit.
- 2) Any path from **File menu / Paths / Model Library and Include Files**.

If more than one path is specified, it searches them in left to right order. For example, consider this path:

```
C:\MC9\LIBRARY ; D:\OTHER ; E:\ELSEWHERE
```

In this example, the search starts in *C:\MC9\LIBRARY*, then proceeds to *D:\OTHER*. Finally *E:\ELSEWHERE* is searched.

What's in this chapter

Expressions are used in certain component parameters and in plotting and printing simulation results. A clear understanding of expressions is essential to get the most from MC9. This chapter covers these topics:

- What are expressions?
- Numbers
- Constants
- Variables
- Component variables
- Subcircuit and Macro Variables
- Model variables
- Sample variables
- Mathematical operators and functions
- Sample expressions
- Rules for using operators and variables

Features new in Micro-Cap 9

- $V(A)$ now also means the digital state of node A. $V(A)$ can now be used interchangeably with $D(A)$.
- Lambert W function has been added.
- Legendre polynomial functions are now available.
- The Monte Carlo case variable is now available.
- Complex impedance and conductance expressions like $Z(D1)$, $Z(C1)$, $Z(L1)$, and $Z(R1)$ are now available in AC.
- HARM and FFTS now have an optional bandwidth parameter, BW. BW can also be an expression allowing a variable bandwidth.
- Arrays are now multidimensional and may contain complex values.
- The limited exponential operators, EXPL and EXPLP have been added.

What are expressions?

Expressions are text strings entered by the user that contain numbers, constants, variables, and mathematical operators. All curves to be printed or plotted are defined in the Analysis Limits dialog box with expressions. The numeric behavior of resistors, capacitors, inductors, Laplace sources, and Function sources is defined through the use of expressions.

Case is ignored in expressions, so RLOAD is the same variable as Rload. The expression value is updated whenever any of the constituent variables change.

Here are some typical expressions:

10.0
V(10)
V(OUT)*I(L1)
VCE(Q1)*IC(Q1)

Numbers

Numbers are expressed in one of several formats:

- **Real numbers:**

1.0, 6.7

- **Floating point numbers:** These use standard scientific notation.

1.87E-12, 23E3

- **Standard engineering notation:**

2.7K, 12pF, 10.5ma, 1MEGHZ

- **International engineering notation:**

0R1 = 0.1

2K3 = 2300

3m3 = 3.3E-3

34u56H = 34.56E-6

42n56 = 42.56E-9

Engineering notations use standard abbreviations. The letters for units are optional (F, a, Hz). No blank space is allowed between the number and letter(s).

Abbreviation	Name	Value
F	Femto	1E-15
P	Pico	1E-12
N	Nano	1E-9
U	Micro	1E-6
M*	Milli	1E-3
K	Kilo	1E3
MEG*	Mega	1E6
G	Giga	1E9
T	Tera	1E12

* To conserve space, the X and Y scales on MC9 graphs use the small letter 'm' to refer to milli and the large letter 'M' to refer to Mega.

Symbolic variables

You can define a local variable with a command statement like this

```
.DEFINE GAMMA .15
```

or a global variable with a statement like this

```
.PARAM CNODE=.08pF
```

Local variables are known only at the circuit level where they are defined. Global variables are known to all macros/subckts at or below the level at which they are created. These commands are placed as grid text in the schematic or as normal text in one of the text pages.

Symbolic variables can be used for parameter values in model statements. In most places where a number is expected, they can substitute for the number. This makes it easy to "parameterize" component values for easy changes. Symbolic variables can also be assigned to a slider, allowing the slider to "tune" their value.

Symbolic variables created with a .param can be stepped and optimized. Symbolic variables created with a .define can be stepped, toleranced, and optimized.

Array variables

Array variables are like symbolic variables except that their values, which may be real or complex, are accessed by indices which select an element of the array.

One Dimensional Array Syntax

`.ARRAY arrayname V1[,V2 [,V3...[,Vn]]...]` where the V values can be real or complex. Note that there must be at least one element (V1) in the array.

You can define a one-dimension array of real values like this:

```
.ARRAY RV 50,100,150
```

To access the values you use an index variable that typically is created like this:

```
.DEFINE IND 1
```

The index name may be any non-reserved name. You can access the array contents like this:

```
RV(IND)
```

For example, you could set the RESISTANCE attribute of a resistor to RV(IND) and then the resistor value takes on the RV array element that IND is set to. If IND is set with the `.define` statement to 1, then the resistor value would be 100. If IND is stepped through the values 0, 1, and 2, then the resistor value would be 50, 100, and 150 respectively.

Note that a one-dimensional array of size N+1 has values located at 0, 1, 2, ...N.

Two Dimensional Array Syntax

```
.ARRAY arrayname (m,n)  
    {v11,v12,...v1n},  
    {v21,v22,...v2n},  
    {v31,v32,...v3n},  
    ...  
    {vm1,vm2,...vmn}
```

Here is a two-dimensional array with two rows of three complex values:

```
.ARRAY RV (2,3)
{1+2*j , 2+3*j , 4+6*j},
{5+2*j , 3+7*j , 4+2*j}
```

With these definitions, $RV(I)(J)$ accesses column J from row I . $RV(1,2)$ would access the element $4+2*j$. Remember the elements start at 0, so $J=2$ accesses the third element in the $I=1$ or second row.

Three Dimensional Array Syntax

```
.ARRAY arrayname (m,n,p)
{
  {v111,v121,...v1n1},
  {v221,v231,...v2n1},
  {v311,v321,...v3n1},
  ...
  {vm11,vm21,...vmn1}
},
{
  {v112,v122,...v1n2},
  {v222,v232,...v2n2},
  {v312,v322,...v3n2},
  ...
  {vm12,vm22,...vmn2}
},
...
...
...
{
  {v11p,v12p,...v1np},
  {v22p,v23p,...v2np},
  {v31p,v32p,...v3np},
  ...
  {vm1p,vm2p,...vmnp}
}
```

Put braces around all dimensions except the first and the last. For two dimensional arrays, put braces around each row. For three dimensional arrays, put braces around each row, and around each two-dimensional array.

Constants and analysis variables

Symbol	Value
T	Time in seconds
F	Frequency in Hz
E	$\text{EXP}(1) = 2.718281828459045$
PI	3.141592653589793
S	Complex frequency = $2 * \text{PI} * J$
J	Imaginary unit value used in complex numbers. For example 1+J, or 10+23*J
TEMP	Analysis temperature and default device temperature in degrees Celsius
VT	$1.3806226e-23 * (273.15 + \text{TEMP}) / 1.6021918e-19$ = 2.586419e-2 at TEMP=27 °C
CASE	Monte Carlo case number
GMIN	Minimum conductance across junctions
TMIN	Starting transient analysis time
TMAX	Ending transient analysis time
DT	Transient analysis time step
DCINPUT1	Value of sweep variable 1 in DC analysis
DCMIN	Starting value of sweep variable 1 in DC analysis
DCMAX	Ending value of sweep variable 1 in DC analysis
FMIN	Starting AC analysis frequency
FMAX	Ending AC analysis frequency
INOISE	Input noise in AC analysis
ONoise	Output noise in AC analysis
ANALYSIS	= <code>_TRANSIENT</code> in transient analysis = <code>_AC</code> in AC analysis = <code>_DC</code> in DC analysis = <code>_DYNAMICAC</code> in Dynamic AC analysis = <code>_DYNAMICDC</code> in Dynamic DC analysis = <code>_TF</code> in Transfer Function analysis = <code>_SENS</code> in Sensitivity analysis = <code>_DISTORTION</code> in Distortion analysis For example, the expression ANALYSIS= <code>_AC</code> would be TRUE (1.0) in AC analysis and FALSE (0.0) elsewhere.
Global Settings Variables	Any numeric value from the Global Settings dialog box, such as GMIN, ABSTOL, RELTOL.

Power and Energy

Power and energy variables are available for individual parts and for the circuit as a whole.

Power is tabulated into three groups, power generated by sources, power stored in parts that have a capacitor or an inductor, and power dissipated in any resistive element. This formulation ensures that for the circuit as a whole:

$$\begin{aligned}\text{Power Generated} &= \text{Power Stored} + \text{Power Dissipated} \\ \text{Energy Generated} &= \text{Energy Stored} + \text{Energy Dissipated}\end{aligned}$$

Power terms are available in AC, DC, and transient analysis.

Energy terms are only available only in transient analysis. They are computed by integrating the power terms over the simulation time interval.

For the entire circuit

PGT	Total power generated by sources in the circuit
PST	Total power stored in inductance and capacitance
PDT	Total power dissipated in the circuit
EGT	Total energy generated by sources in the circuit
EST	Total energy stored in inductance and capacitance
EDT	Total energy dissipated in the circuit

For individual parts

PG(Vn)	Power generated by source Vn
PS(Qn)	Power stored in device Qn
PD(Dn)	Power dissipated in device Dn
EG(Vn)	Energy generated by source Vn
ES(Qn)	Energy stored in device Qn
ED(Dn)	Energy dissipated in device Dn

Variables

In the variable definitions that follow, the symbols A and B represent node names. A node name is one of the following:

1. A node number assigned by the program.
2. A text node name (a piece of grid text placed on the node).

Text node names consist of a number, letter, special character (+, -, *, /, \$, %), or an underscore followed by at most 50 alphanumeric characters.

Node names may consist of numbers only, but this is not recommended due to the likely confusion between node numbers assigned by the program and integer node names assigned by the user. In case of conflict, MC9 gives priority to the node number. So if you place the text "1" on node number 2 and try to plot V(1) you'll get the voltage on node number 1, not the voltage on the node labeled "1".

Spaces are not allowed in text node names.

A1, Out, _721, +, -, and Reset are valid node names. B&4 is invalid because it uses the non-alphanumeric character &. T1 is valid but T 1 is not because node names cannot contain spaces.

Global nodes are nodes whose names are globally available to all parts of the circuit, including the top level circuit and all macros and subckts used by it. Global nodes are always prefaced by \$G_. For example if a circuit uses a subckt that has a node named \$G_ABC, then you can plot its voltage with V(\$G_ABC). As another example, if a digital part that uses the \$G_DPWR is present in the circuit, plotting V(\$G_DPWR) plots the default TTL power supply node voltage waveform (a flat line at 5.0 volts)

Global variables are created with the .PARAM command and are available at any macro or subcircuit level. *Local* variables are created with the .DEFINE command and are available only at the circuit level where they are created.

Wildcard device and node names

A wildcard syntax is available for use in the Y Expression field of the Analysis Limits dialog boxes. This syntax allows the user to compactly specify the plotting of many similar expressions. The brackets `[]` and the letter `@` are used as wild cards. `[]` means to expand the contents between the brackets. `@` refers to devices while `@@` refers to nodes:

Node examples:

`D([@@])` means plot all digital node states: `D(all_digital_nodes)` and all analog node voltages: `V(all_analog_nodes)`.

`V([@@])` means plot all analog node voltages: `V(all_analog_nodes)` and all digital node states: `D(all_digital_nodes)`.

`V([A@@])` means plot all node voltages that begin with A.

Device examples:

`V([@])` means plot all device voltages: `V(all_device_names)`.

`V([R@])` means plot all device voltages: `V(R1), V(R2),...V(Rall)`.

`V([C1,C2,C3])` means plot the voltages: `V(C1), V(C2), and V(C3)`.

`V(L[1:3])` means plot the device voltages `V(L1), V(L2), and V(L3)`.

`V([C,B]([@]))` means plot the voltages: `VC(Q1), VC(Q2), ...VB(Q1), VB(Q2)...`

`I([L@])` means plot all device currents of the form: `I(L1), I(LAB),...I(Lall)`.

`I([@])` means plot all device currents.

`[V,C,I,Q,X] ([C@,L@])` means plot all voltages (V), capacitances (C), currents (I), charges (Q), or fluxes (X) whose device names begin with C or L. If a circuit has two capacitors named C1 and C22 and one inductor named L3, it would plot `V(C1), V(C22), C(C1), C(C22), I(C1), I(C22), Q(C1), Q(C22), V(L3), I(L3), and X(L3)`. Nonexistent terms, such as `X(C1), X(C22)` (capacitors usually have no flux), `C(L3)` (inductors usually have no capacitance), and `Q(L3)` (inductors usually have no charge) are ignored. Note, that resistors, capacitors, and inductors will have resistance, charge, and flux if they employ a model with those parasitics.

The general list of variables is as follows:

D(A)	Digital state of node A or voltage at node A
V(A)	Voltage at node A or digital state of node A
V(A,B)	Voltage at node A minus voltage at node B
V(D1)	Voltage across the device D1
I(D1)	Current through the device D1
I(A,B)	Current through the device using nodes A and B
IR(Q1)	Current into the R lead of the device Q1
VRS(Q1)	Voltage across the leads R and S of the device Q1
CRS(Q1)	Capacitance between leads R and S of the device Q1
QRS(Q1)	Capacitor charge between leads R and S of device Q1
R(R1)	Resistance of the resistor R1
C(X1)	Capacitance (in farads) of the capacitor or diode X1
Q(X1)	Charge (in coulombs) stored in the capacitor or diode X1
L(L1)	Inductance (in henrys) of the inductor L1
X(L1)	Flux (in webers) in the inductor L1
B(L1)	B field (in gauss) of the core material of inductor L1
BSI(L1)	B field (in teslas) of the core material of inductor L1
H(L1)	H field (in oersteds) of the core material of inductor L1
HSI(L1)	H field (in amps/meter) of the core material of inductor L1
T	Time
F	Frequency
S	Complex frequency = $2*\pi*F*j$
ONoise	Noise voltage at the output node
INoise	Noise voltage referred to the input = $ONoise / gain$
EG(V1)	Energy generated by source V1
ES(Q1)	Energy stored in device Q1
ED(D1)	Energy dissipated in device D1
PG(V1)	Power generated by source V1
PS(Q1)	Power stored in device Q1
PD(D1)	Power dissipated in device D1

In the table above, D represents any two-terminal device or controlled source. Q represents all active devices and transmission lines. The lead name abbreviations, R and S, are chosen from the following table.

Device	Abbreviations	Lead name
MOSFET	D,G,S,B	Drain, Gate, Source, Bulk
JFET	D,G,S	Drain, Gate, Source
GaAsFET	D,G,S	Drain, Gate, Source
BJT	B,E,C,S	Base, Emitter, Collector, Substrate

The power terms, PG(), PD(), and PS() refer to time-domain values except in AC and Dynamic AC analysis, where they refer to the corresponding AC values.

Component variables

The variables available for each component are shown in the following tables.

Component Variables							
Component	Voltage	Current	Capacitance Inductance	Charge Flux	Power/Energy Generated	Power/Energy Stored	Power/Energy Dissipated
Source	V	I			PG / EG		
S and W switches	V	I					PD / ED
Resistor	V	I					PD / ED
Capacitor	V	I	C	Q		PS / ES	
Inductor	V	I	L	X		PS / ES	
Diode	V	I	C	Q		PS / ES	PD / ED
Transmission Line	VAP, VAM, VBP VBM	IAP IAM IBP IBM					
BJT	VB, VC, VE, VBE, VBC, VEB, VEC, VCB, VCE	IB, IE IC	CBE, CBC	QBE QBC		PS / ES	PD / ED
BJT4	VB, VC, VE, VS, VBE, VBC, VBS VEB, VEC, VES VCB, VCE, VCS VSB, VSE, VSC	IB, IE IC, IS	CBE, CBC CCS	QBE QBC QCS		PS / ES	PD / ED
MOSFET: LEVELS 1-3	VG, VS, VD, VB, VGS, VGD, VGB VDS, VDG, VDB VSG, VSD, VSB VVG, VVD, VVS	IG, IS ID, IB	CGS, CGD CGB, CBD CBS	QGS QGD QGB QBD QBS		PS / ES	PD / ED
MOSFET: LEVELS 4,5,8,14,44	VG, VS, VD, VB, VGS, VGD, VGB VDS, VDG, VDB VSG, VSD, VSB VVG, VVD, VVS	IG, IS ID IB					
OPAMP	VP, VM, VOUT, VPM, VCC, VEE						
JFET	VG, VD, VS, VGS, VGD, VSG VSD, VDG, VDS	IG, ID IS	CGS, CGD	QGS QGD		PS / ES	PD / ED
GaAsFET	VG, VD, VS, VGS, VGD, VSG VSD, VDG, VDS	IG, ID IS	CGS, CGD	QGS QGD		PS / ES	PD / ED

Variables that are mere permutations of the leads are not shown. For example CGS and CSG produce the same plot as do QGS and QSG.

Table 25-1 Syntax for common variables

Component Variables					
Component	Resistance	Flux	Inductance	B field	H field
S and W switches	R				
Resistor	R				
Inductor		X	L	B, BSI	H, HSI
The complete variable name includes the appropriate device name. For example, the B field of a device L1 is referenced as B(L1).					

Table 25-2 Syntax for resistance, flux, inductance, and B / H field variables

Subcircuit and macro variables

To reference a node name or a part name of an object within a macro or subcircuit, use the following dot notation:

Subcircuit part name + "." + node name or part name

For example, to reference node 10 in subcircuit X41, use the expression:

X41.10

To reference the node voltage on that node you would use:

V(X41.10)

To reference the current in the diode DSTUB in subcircuit CHOPPER4, you would use the expression:

I(CHOPPER4.DSTUB)

To reference the charge in the base-emitter junction of an NPN N3 in subcircuit AMP1, you would use the expression:

QBE(AMP1.N3)

If the node or part is nested inside more than one macro or subcircuit, simply concatenate the macro or subcircuit names. For example:

V(X1.X2.X3.10)

This specifies the voltage on node 10 in macro X3, in macro X2, in macro X1.

To see more examples, load the circuit SUBCKT1, run transient analysis, and click the right mouse button in the Y Expression field. This pops up a variable menu which shows all of the circuit variables available in the entire circuit. It nicely demonstrates many examples of subcircuit variables.

Model parameter variables

You can print or plot a part's model parameter by using the following syntax:

```
PART_NAME.MODEL_PARAMETER_NAME
```

Here are some examples:

Q1.BF	Forward beta of BJT Q1
M1.GAMMA	GAMMA parameter of MOSFET M1
J1.VTO	VTO of JFET J1

Since model parameters do not vary during an analysis, plots of these variables will produce straight lines. Why bother plotting them? If you are stepping a parameter, or running a Monte Carlo analysis, and you want to check the value of a parameter of a particular part for a particular run, plotting its model parameter value is a quick way to be sure it is being stepped through the values you want.

Sample variables

Here are some sample variables.

T	Time in seconds
F	Frequency in Hz
D(A)	Digital state of node A or voltage at node A
HEX(A1,A2,A3,A4)	Hex value of the nodes A1, A2, A3, and A4
BIN(A1,A2,A3,A4)	Binary value of the nodes A1, A2, A3, and A4
OCT(A1,A2,A3)	Octal value of the nodes A1, A2, and A3
DEC(A1,A2,A3,A4)	Decimal value of the nodes A1, A2, A3, and A4
V(16,4)	Voltage at node 16 minus the voltage at node 4
V(A,B)	Voltage at node A minus the voltage at node B
I(R1)	Current flowing through the resistor R1
I(2,3)	Current flowing through the resistor, capacitor, source, or inductor between nodes 2 and 3
B(L1)	B field (Gauss) in the inductor L1
H(L1)	H field (Oersteds) in the inductor L1
X(L2)	Flux in the inductor L2
IB(Q1)	Base current into the device Q1
VBE(Q1)	Base-emitter voltage for the device Q1
IG(M1)	Gate current into the device M1
VGS(M1)	Gate-source voltage for the device M1
QBE(Q1)	Charge stored in Q1's base-emitter capacitance
VAP(T1)	Voltage at the positive pin of the input port of transmission line T1
ID(J1)	Drain current into the device J1
I(D1)	Current into the diode D1
L(L1)	Inductance of the inductor L1
C(C2)	Capacitance of the capacitor C2
R(R7)	Resistance of the resistor R7
I(R1)	Current through the resistor R1
I(Lap1)	Current through the Laplace source Lap1
I(V1)	Current through the waveform source V1
V(F1)	Voltage across the Function source F1
V(X1.MID)	Voltage on node MID in subcircuit X1
IB(G3.Q1)	Base current of Q1 NPN in macro circuit G3
V(G1.G2.N)	Voltage on node N in macro G2, in macro G1
ES(C1)	Power stored in capacitor C1
PS(D1)	Power stored in diode D1
PG(V1)	Power generated by source V1
PD(Q1)	Power dissipated in transistor Q1

Mathematical operators and functions

In the definitions, the following symbol conventions are used:

Symbol	Represents
n, m	Integers
dt	The DSP timestep.
x, y, u	Real expression. For example 26.5, T in transient, V(10) in DC.
z	Complex quantity. $z = x + i \cdot y$. For example, V(1) in AC.
S	Spectrum generated by one of the signal processing operators.
D1, D2	Digital node states. For example D(1), D(QB).

Arithmetic

+	Addition
-	Subtraction
*	Multiplication
/	Division
MOD	Modulus (remainder after integer division)
DIV	Integer division

Digital

A is the MSB. D is the LSB. These operators are designed for use in plotting and printing logic expression waveforms.

D(A)	Digital state on node A
HEX(A,B,C,D)	Hex value of the digital states of nodes A, B, C, D
BIN(A,B,C,D)	Binary value of the digital states of nodes A, B, C, D
DEC(A,B,C,D)	Decimal value of the digital states of nodes A, B, C, D
OCT(A,B,C)	Octal value of the digital states of nodes A, B, C, D
+	Sum of two binary, octal, hex, decimal values
-	Difference of two binary, octal, hex, decimal values
MOD	Modulus operator (integer division remainder) of two binary, octal, hex, decimal values
DIV	Integer division of binary, octal, hex, or decimal values
&	Bitwise AND of two digital node states
	Bitwise OR of two digital node states
^	Bitwise XOR of two digital node states
~	Bitwise NOT of a digital node state

Transcendental (x and y are real, z is complex, $z = x + i \cdot y$)

SIN(z)	Sine function
COS(z)	Cosine function
TAN(z)	Tangent function
COT(z)	Cotangent function
SEC(z)	Secant function
CSC(z)	Cosecant function
ASIN(z)	Inverse sine function
ACOS(z)	Inverse cosine function
ATAN(z)	Inverse tangent function
ATN(z)	Inverse tangent function
ARCTAN(z)	Inverse tangent function = ATN(z)
ATAN2(y,x)	Inverse tangent function = ATN(y/x)
ACOT(z)	Inverse cotangent function
ASEC(z)	Inverse secant function
ACSC(z)	Inverse cosecant function
SINH(z)	Hyperbolic sine
COSH(z)	Hyperbolic cosine
TANH(z)	Hyperbolic tangent
COTH(z)	Hyperbolic cotangent
SECH(z)	Hyperbolic secant
CSCH(z)	Hyperbolic cosecant
ASINH(z)	Inverse hyperbolic sine
ACOSH(z)	Inverse hyperbolic cosine
ATANH(z)	Inverse hyperbolic tangent
ACOTH(z)	Inverse hyperbolic cotangent
ASECH(z)	Inverse hyperbolic secant
ACSCH(z)	Inverse hyperbolic cosecant
LN(z)	Natural log: $\log_e(x + i \cdot y) + i \cdot \tan^{-1}(y / x)$
LOG(z)	Common log: $\log_{10}(x + i \cdot y) + i \cdot \tan^{-1}(y / x) / \log_e(10)$
LOG10(z)	Common log: $\log_{10}(x + i \cdot y) + i \cdot \tan^{-1}(y / x) / \log_e(10)$
EXP(z)	Exponential: $e^x \cdot (\cos(y) + i \cdot \sin(y))$
EXPL(x,max)	Exponential: if $x < \max$ $\exp(x)$ else $\exp(\max)^{(x+1-\max)}$
EXPLP(x,max)	Derivative of EXPL(x,max) w.r.t. x
POW(z,x)	Complex exponentiation function = $z^x = e^{x \ln(z)}$ For example, $\text{POW}(-1+j,2) = -2j$, $\text{POW}(2,2) = 4$
^, or **	Same as POW(z,x). $z^x = z^{**}x = \text{POW}(z,x)$ For example, $(-1+j,2)**2 = -2j$, $j^2 = -1$

PWR(y,x)	Real power function = y^x . For example PWR(-2,3) = -8, PWR(-2,2) = 4
PWRS(y,x)	Real signed power function: if $y < 0$ PWRS(y,x) = $- y ^x$ if $y > 0$ PWRS(y,x) = $ y ^x$ For example PWRS(-2,2) = -4, PWRS(2,2) = 4
DB(z)	$20 * \text{LOG}(z)$
RE(z)	Real part of z
IM(z)	Imaginary part of z. IMAG() and IMG() also work.
MAG(z)	Magnitude of z. M() also works.
PH(z)	Phase of z in degrees. PHASE() and P() also work.
GD(z)	Group delay= $\partial(\text{Phase}(z \text{ in radians}))/\partial(\text{radian frequency})$

SPICE3 Boolean operators

& ~	In these operators A = VONE if $V(A) \geq V\text{THRESH}$ Else A = VZERO. The parameters VTHRESH, VONE and VZERO are set in the Global Settings dialog box.
&	Analog AND
	Analog OR
~	Analog NOT

Standard Boolean and inequality operators

A boolean expression is TRUE (1.0) if not zero, else it is FALSE (0.0). For example, if $V(1) = .00001$, then $V(1)$ as a Boolean expression evaluates to TRUE or 1.0.

AND	And operator
NAND	Nand operator
OR	Or operator
NOR	Nor operator
XOR	Exclusive-Or operator
NOT	Negation operator
<	Less than operator
>	Greater than operator
<=	Less than or equal operator
>=	Greater than or equal operator
!=	Not equal to operator
<>	Not equal to operator
==	Equal to operator

Limiting and conditional operators

MIN(z1,z2)	Minimum of real and imaginary parts of z1 and z2
MAX(z1,z2)	Maximum of real and imaginary parts of z1 and z2
LIMIT(z,z1,z2)	Returns z, with its real part limited to the range of RE(z1) to RE(z2) and the imaginary part limited to the range IM(z1) to IM(z2)
IF(b,z1,z2)	If b is true, the function returns z1, else it returns z2.

Signal Processing / FFT Functions

HARM(u[,bw])	Harmonics of waveform u. BW = optional bandwidth.
THD(S[,F])	Total harmonic distortion of spectrum S as a percent of the value at the reference frequency F. If F is missing, it is set to the first harmonic (1/tmax in transient analysis).
IHD(S[,F])	Individual harmonic distortion of S as a percent of the value at F. It is similar to THD but not cumulative.
FFT(u)	Standard forward Fourier transform of waveform u
FFTS(u[,bw])	Forward Fourier transform of waveform u, scaled so that RE(FFTS(u)) produces the Fourier series cosine coefficients and IM(FFTS(u)) produces the Fourier series sine coefficients. BW = optional bandwidth.
FS(u,[n1[,n2]])	Partial Fourier series representation of waveform u, compiled from the terms n1 through n2. N1 defaults to 0 and n2 defaults to the FFT Number of Points / 2.
RES(u,[n1[,n2]])	The residue function shows the waveform u minus the Fourier terms n1 through n2. N1 defaults to 0. N2 defaults to 1, so that RES(u) is RES(u,0,1) and thus essentially shows the distortion components due to the 2'nd and higher harmonics.
IFT(S)	Standard inverse Fourier transform of spectrum S
IFTS(S)	Scaled inverse Fourier transform of spectrum S. Scaling is such that IFTS(FFTS(u)) = u.
CONJ(S)	Conjugate of spectrum S
CS(u,v)	Cross spectrum = CONJ(FFT(v))*FFT(u)*dt*dt
AS(u)	Auto spectrum of waveform u = CS(u,u)
CC(u,v)	Cross correlation of u and v = IFT(CS(u,v))/dt
AC(u)	Auto correlation of waveform u is = IFT(AS(u))/dt
COH(u,v)	Coherence of u and v =CC(u,v)/sqr(AC(u(0))*AC(v(0)))
REAL(S)	Real part of spectrum S produced by FFT
IMAG(S)	Imaginary part of spectrum S produced by FFT
MAG(S)	Magnitude of spectrum S produced by FFT
PHASE(S)	Phase of spectrum S produced by FFT

Numeric integration and differentiation:

With respect to any variable

DER(u,x)	Calculates the derivative of u W.R.T x.
SUM(y,x[,start])	Running integral of y with respect to x, with optional start parameter. Integral begins at x=start. Start is only used when x is the analysis variable and defaults to its minimum (tmin, fmin, or dcmn).

With respect to the analysis variable (T, F, or DCINPUT1)

SD(y[,start])	Running integral of y with respect to T in transient, F in AC, or DCINPUT1 in DC, with an optional start parameter. Integral begins at start. Start defaults to tmin, fmin, dcmn, according to the analysis type
DD(y)	Numerical derivative of y with respect to T in transient, F in AC, or DCINPUT1 in DC
RMS(y[,start])	Running root-mean-square of y with respect to F in AC, T in transient, or DCINPUT1 in DC, with an optional start parameter. Integral begins at start which defaults to tmin, fmin, or dcmn, according to the analysis type.
AVG(y[,start])	Running average of y with respect to T in transient, F in AC, or DCINPUT1 in DC. The optional start parameter defaults to tmin, fmin, dcmn.

With respect to T (Time) only

SDT(y)	Running integral of y with respect to T (Time). Integral begins at T = tmin
DDT(y)	Numerical derivative of y with respect to T (Time)
DEL(y)	Change in y from the prior data point to the current point. A numerical derivative is formed by the ratio of two operators. For example, DEL(y)/DEL(t) approximates the numerical time derivative of y.
LAST(y,n)	The n'th prior value of y. N=1 returns the value of y at the last timestep. N=2 returns the value of y at the timestep before last and so on.

Special functions

ABS(z)	Absolute value function = $(z ^2)^{0.5}$
BUFFER("W")	Imports the W waveform from the Waveform Buffer.
CURVEY("F","W")	Imports the Y component of curve W from the User source F. F must be saved in standard format using the Save Curves section of the Plot Properties dialog box. See User source in Chapter 22 for the file format.

CURVEX("F", "W")	Imports the X component of curve W from file "F".
DELAY(x,d)	Returns expression x delayed by d seconds.
DIFA(u,v[,d])	DIFA reports differences between two analog curves. It compares the u expression with the v expression at every analysis point, and returns 1 if the absolute value of the result is more than d. Otherwise, it returns 0. U and v may be imported curves. See the IMPORT function. D is optional and defaults to 0.
DIFD(u,v[,d])	DIFD reports differences between two digital curves. It compares the u level with the v level at every analysis point, and returns 1 if they differ for a time exceeding d. Otherwise, it returns 0. U and v may be imported curves. D is optional and defaults to 0.
FACT(u)	Factorial of the integer value of u.
U!	Factorial of the integer value of u. When using the ! notation, u must be a symbolic variable or a constant.
G(X1)	Complex conductance of two-terminal device X1. X1 must be a resistor, capacitor, inductor, or diode.
IMPORT(f,y)	Imports curve y from the file f. The file must be a SPICE or MC9 output text file with a table of values that includes the value F(frequency), T(Time), V(source voltage), or I(current source), and the value of the expression y. Y must be typed exactly as shown in the file and must contain an even number of parentheses.
IMPULSE(y)	Impulse function of amplitude y and area of 1.0.
JN(n,z[,m])	N'th order Bessel function of the first kind of the complex expression z, compiled from the series using m terms. M defaults to 10.
J0(z)	Zero'th order Bessel function of the first kind of the complex expression z. Same as JN(0,z,10)
J1(z)	First order Bessel function of the first kind of the complex expression z. Same as JN(1,z,10)
LAST(z,n)	Curve z delayed by n time points. $LAST(z,1)_i = z_{i-1}$
MAXR(x)	Returns the largest value of x encountered at any time during a transient or DC sweep analysis run.
MINR(x)	Returns the smallest value of x encountered at any time during a transient or DC sweep analysis run.
NORM(z,x0)	Curve z normalized at the value of z when the X expression is equal to x0. DB operators normalized to 0.
NORMMAX(z)	Curve z normalized at the maximum value of z

NORMMIN(z)	Curve z normalized at the minimum value of z
PN(n,x)	N'th order Legendre polynomial function of x.
PROD(n,n1,n2,z)	Calculates the product of the series of the complex expression $z = z(n)$, for $n = n1$ to $n = n2$. For example, $PROD(n,1,3,j+n) = (j+1)*(j+2)*(j+3) = 0 + 10j$
SERIES(n,n1,n2,z)	Calculates the summation of the series of the complex expression $z = z(n)$, for $n = n1$ to $n = n2$. For example, $SERIES(n,1,3,n+j) = (j+1) + (j+2) + (j+3) = 6 + 3j$
SGN(y)	+1 (if $y > 0$), 0 (if $y = 0$), -1 (if $y < 0$)
SQRT(z)	Complex square root = $z^{0.5}$
STP(x)	Step function of amplitude 1.0 starting at $T \geq x$.
TABLE(x,x ₁ ,y ₁ ..x _n ,y _n)	This function performs a table lookup. It returns a value for y associated with the value of x, interpolated from the table. X values less than x ₁ generate an answer of y ₁ . X values greater than x _n generate an answer of y _n .
W(z)	Lambert W function for complex z.
YN(n,z[,m])	N'th order Bessel function of the second kind of the complex expression z, compiled from the series using m terms. M defaults to 10.
Y0(z)	Zero'th order Bessel function of the second kind of the complex expression z. Same as YN(0,z,10)
Y1(z)	First order Bessel function of the second kind of the complex expression z. Same as YN(1,z,10)
Z(X1)	Complex impedance of two-terminal device X1. X1 must be a resistor, capacitor, inductor, or diode.

Random functions

The functions below return a random number between 0 and 1, using the seed value from **Global Settings / Seed**. If the seed is ≥ 1 the functions return a repeating sequence of random numbers all between 0 and 1. If the seed is blank or < 1 , they return a non-repeating sequence of random numbers. The seed is initialized at the beginning of each manually started run (press of F2), not every temperature, Monte Carlo, or stepping run.

Function	Returns a new random value at:
RND	Every timepoint
RNDR	The start of each run (F2) command
RNDC	The start of each new Monte Carlo, temperature, or stepping run
RNDI(t)	Every t seconds of simulation time

Sample expressions

Digital

D(10)

Digital state or analog voltage of node 10

V(20)

Digital state or analog voltage of node 20

D(1) & D(2)

AND of the digital state or analog voltage of node 1 with the digital state or analog voltage of node 2. Nodes must both be analog or digital.

V(1) | V(2)

OR of the digital state or analog voltage of node 1 with the digital state or analog voltage of node 2. Nodes must both be analog or digital.

Hex(A,B,C,D)+Hex(R,S,T,U)

Hex sum of two hex values. The first term is the hex value of the states on nodes A, B, C, D. The second term is the hex value of the states on nodes R, S, T, U. The result is the hex sum of these two hex values.

Laplace source transfer functions

$1.0/(1.0+.001*s+1e-12*s*s)$

Transfer function of a second order filter

$\exp(-(s*C*(R+s*L))^{0.5})$

Transfer function equation for a lossy transmission line (R, L, and C are the per unit length values)

Function sources

$\exp(-T/.5)*\sin(2*PI*10*T)$

An exponentially damped 10 Hz sine wave

$-k*(v(p)-v(c)+\mu*(v(g)-v(c)))^{1.5}$

The current equation for a vacuum triode. The terms p, g, and c are the plate, grid, and cathode names. v(p), v(g), and v(c) are the voltage at the plate, grid, and cathode respectively.

Capacitance

$2pF/((1-v(p,n)/.7)^{.5})$

Typical junction capacitance expression

$5.0pF*(1+2e-6*T)$

A time-dependent capacitor

Resistance

$5*(1+2*(TEMP - 273)^2)$

A temperature-dependent resistance

Inductance

$(1u/(1+I(L1)^2))$

A nonlinear inductance

$2.6uH*(1+(t-1e-7))^{2.0}$

A time-dependent inductance

Power and energy

In DC and transient analysis, P and E refer to time domain power and energy. In AC analysis, E is not available and P refers to AC power.

V(VCC)*I(VCC)	Instantaneous power from the source VCC
PD(R1)	Power dissipated in resistor R1
PS(Q1)	Power stored in transistor Q1
PG(V1)	Power generated by source V1

ED(D3)	Energy dissipated in diode D3
ES(C2)	Energy stored in capacitor C2
ES(L4)	Energy stored in inductor L4
EG(VCC)	Energy generated by source VCC

EST	Total stored energy in the circuit
EDT	Total dissipated energy in the circuit
EGT	Total generated energy in the circuit

PST	Total power stored in the circuit
PDT	Total power dissipated in the circuit
PGT	Total power generated in the circuit

SUM(V(VCC)*I(VCC),T)	Energy provided by the source VCC
----------------------	-----------------------------------

Miscellaneous

HARM(V(A))	Harmonics of V(A) with a BW of F0
HARM(V(A),2E6)	Harmonics of V(A) with a BW of 2MHz
HARM(V(1),TABLE(F,2.99E6, 1E6, 3E6,2.1E6))	...A table defined BW
HARM(V(1),(F<3E6)*1E6+(F>=3E6)*2.1E6)	...An expression-defined BW
FFT(V(A)+V(B))	Forward Fourier transform of V(A)+V(B)
IFT(2*fmax*V(Out))	In AC analysis, using this Y expression and T as the X expression generates the impulse response of a network. V(Out) is the complex output voltage and fmax is the maximum frequency of the run.

DEL(I(L1))/DEL(T)	Numeric derivative of the current flowing in L1
SUM(V(Out),T)	Numeric integral of the voltage curve V(Out)
SUM(V(Out),T,5n)	Numeric integral of the voltage waveform at the node Out with respect to time, from T = 5ns to end of <i>tmax</i> .

SUM(V(A),V(B),2)	Numeric integral of the voltage waveform at the node A with respect to V(B), from V(B) >= 2
------------------	---

RMS(V(Out))	to the last value of V(B) at end of run.
5*((T mod 50)>10 AND (T mod 50)<20)	Running RMS value of the expression V(Out) A 5V pulse, from 10s to 20s, with period of 50s
IM(V(7))	Imaginary part of the complex voltage V(7)
VCE(Q1)*IC(Q1)	Complex AC power in collector of device Q1
TABLE(V(1),-10,-1,10,1)	This table function returns -1 if V(1) is less than -10, 0.1*V(1) if V(1) is between -10 and +10, and +1 otherwise.
IMPORT(A.OUT,V(1))	Imports waveform V(1) from the file A.OUT.
CURVEX("T1","I(V1)")	Imports the X component of the curve "I(V1)" from the user source file "T1".
CURVEY("T2","I(V1)")	Imports the Y component of the curve "I(V1)" from the user source file "T2".
FACT(V(10))	Computes the factorial of INT(V(10)).
10!	Computes the factorial of INT(10) = 3628800.
JN(5,1+J,6)	Computes the fifth order Bessel function of the first kind, using the first 6 terms of the series.
.DEFINE _EXP(X) (1+SERIES(N,1,10,POW(X,1)/FACT(N)))	Creates a macro to compute exp(x) from its series. _exp(1.0) returns 2.718282 = e.
DELAY(V(A)+V(B),5n)	Returns the waveform V(A)+V(B), delayed 5ns.
Z(L1)	Complex AC impedance of inductor L1.

Random functions

RNDI(10n)	Returns a random number between 0 and 1 every 10ns of simulation time.
2*RNDR	Returns a random number between 0 and 2 at the start of every run, (press of the F2 key).
1+2*RNDC	Returns a random number between 1 and 3 at the start of every Monte Carlo, temperature, or stepping run.

Rules for using operators and variables

Here are some important rules to keep in mind when using expressions.

1. The relational and Boolean operators return 1 if TRUE and 0 if FALSE.
2. The Boolean operators (&, |, ~) return VONE if TRUE and VZERO if FALSE. VONE and VZERO are specified in the Global Settings dialog box.
3. ONOISE and INOISE should only be used in AC analysis and never mixed with other variables like V(somenode).
4. In AC analysis, all intermediate calculations are performed on complex values. After the expression is completely evaluated, the magnitude of the complex result is printed or plotted. For example, V(1)*V(2) prints or plots the magnitude after the complex multiplication. To print the imaginary part use IM(V(1)*V(2)). To print the real part use RE(V(1)*V(2)). To plot the magnitude use V(1)*V(2), or if you prefer, MAG(V(1)*V(2)).
5. The value of the time variable, T, is set to zero in AC and DC analysis.
6. The value of the frequency variable, F, is set to zero in transient and DC analysis. In transient analysis, if the Harm() or FFTS() functions use F as a part of the bandwidth expression, it is interpreted to mean the FFT frequency. This allows a bandwidth expression that is a function of the FFT frequency.
7. Laplace expressions use the real frequency variable, F, and the complex frequency variable, S. Symbolic variables that do not vary during the run may also be used. If both F and S are missing, an error will result. Don't use Laplace sources for constant gain blocks. Use independent sources, SPICE poly sources, or function sources.
8. You can use symbolic variables in model statements, if the variable is used only for the parameter value, and not for the parameter name. For example:

```
.define VALUE 111  
.model Q1 NPN (BF=VALUE ...)
```

After expansion, this model statement becomes

```
.model Q1 NPN (BF=111 ...) which is legal.
```

What's in this chapter

Command statements are text strings which begin with a period. They are created by placing grid text in a schematic page or in the text area, or ordinary text in a SPICE circuit.

Features new in Micro-Cap 9

- `.SPICE` and `.ENDSPICE` commands allow inclusion of SPICE netlist circuitry content to schematic text area.
- New text control blocks (`.IF`, `.ELSE`, `.ELIF`, and `.ENDIF`) allow conditional inclusion of text, for control of `.commands`, model statements, and SPICE netlists.
- The `.WARNING` command has been improved with the addition of global names like `R@` to refer to any and all resistors. Operation has been improved by coloring the parts and node(s) involved.

.AC

General Form (SPICE files only)

.AC [[DEC] | [OCT] | [LIN]] <data points> <fmin> <fmax>

Examples

.AC DEC 30 20 20K

.AC LIN 10 100 200

The .AC command arguments are mapped into the appropriate MC9 Analysis Limits dialog box fields upon selecting **AC** from the **Analysis** menu. DEC (decade), OCT (octal), and LIN (linear) specify the type of fixed frequency step to be used during the AC analysis. DEC and OCT select the Log Frequency Step option and LIN selects the Linear Frequency Step option on the AC Analysis Limits dialog box.

<data points> specifies the number of data points per decade for the decade option or the total number of data points for the linear option. It is mapped into the Number of Points field. <fmin> specifies the first frequency of the run and <fmax> specifies the last. These are mapped into the Frequency Range field.

A waveform source need not be present in the circuit, but if there is no source, all output will be zero. For waveform sources, the small signal model is simply an AC voltage or current source. The AC value of the source is determined from the parameter line for SPICE components and from the attribute value for schematic components.

SPICE V or I sources:

The AC magnitude value is specified as a part of the device parameter. For example, a source with the value attribute "DC 5.5 AC 2.0" has an AC magnitude of 2.0 volts.

Pulse and sine sources:

These sources have their AC magnitude fixed at 1.0 volt.

User sources: User sources provide a signal comprised of the real and imaginary parts specified in their files.

Function sources: These sources create an AC signal only if a **FREQ** expression is specified.

.ARRAY

One Dimensional Array Syntax

`.ARRAY arrayname V1[,V2 [,V3...[,Vn]]]` V values are real or complex.

Examples

```
.ARRAY RESISTANCE 3.3K,4.5K,5.0K
.ARRAY WIDTHS .07u,1u,1.2u,1.5u,2u
```

The `.ARRAY` command declares an array of values that can be used by device attribute fields and model parameters. Array elements are accessed from zero as `NAME(0)`, `NAME(1)` and so on either with a fixed integer or an integer variable.

For example, consider these statements:

```
.ARRAY CAP 1p,10p,15p,24p,36p
.DEFINE INDEX 0
```

With these declarations, you can use `CAP(INDEX)` as the `CAPACITANCE` attribute of one or more capacitors and then step the `INDEX` variable to assign the values 1p, 10p, 15p, 24p, 36p successively to the capacitors.

Here is another example:

```
.MODEL N1 NPN ( BF=BETA1(INDEX) CJE=1.8P CJC=0.8P TF=.5N )
.MODEL N2 NPN ( BF=BETA2(INDEX) CJC=1P CJE=2P TF=1N TR=1N )

.DEFINE INDEX 0
.ARRAY BETA1 100,200,300
.ARRAY BETA2 60,70,90
```

With these declarations, you can step `INDEX`, simultaneously accessing both beta arrays, assigning unique pairs of values for use in the two model statements.

Two Dimensional Array Syntax

```
.ARRAY arrayname (m,n)
    {v11,v12,...v1n},
    {v21,v22,...v2n},
    {v31,v32,...v3n},
    ...
    {vm1,vm2,...vmn}
```

Here is a two-dimensional array with two rows of three complex values:

```
.ARRAY RV (2,3)
{1+2*j , 2+3*j , 4+6*j},
{5+2*j , 3+7*j , 4+2*j}
```

With these definitions, RV(I)(J) accesses column J from row I. RV(1,2) would access the element $2+3*j$. Remember the elements start at 0, so J=2 accesses the third element in the I=1 or second row.

Three Dimensional Array Syntax

```
.ARRAY arrayname (m,n,p)
{
  {v111,v121,...v1n1},
  {v221,v231,...v2n1},
  {v311,v321,...v3n1},
  ...
  {vm11,vm21,...vmn1}
},
{
  {v112,v122,...v1n2},
  {v222,v232,...v2n2},
  {v312,v322,...v3n2},
  ...
  {vm12,vm22,...vmn2}
},
...
...
...
{
  {v11p,v12p,...v1np},
  {v22p,v23p,...v2np},
  {v31p,v32p,...v3np},
  ...
  {vm1p,vm2p,...vmnp}
}
```

Put braces around all dimensions except the first and the last. For two dimensional arrays, put braces around each row. For three dimensional arrays, put braces around each row, and around each two-dimensional array.

.DC

General Form (SPICE files only)

Linear sweep type

```
.DC [LIN] <v1> <start1> <end1> <increment1>  
+ [<v2> <start2> <end2> <increment2>]
```

Log sweep type

```
.DC <OCT | DEC>  
+ <v1> <start1> <end1> <points1 per octave or decade>  
+ [<v2> <start2> <end2> <points2 per octave or decade>]
```

List sweep type

```
.DC <v1> LIST <value>* [<v2> LIST <value>*]
```

<v1> and <v2> must be one of the following:

1. The name of an independent source in the circuit. e.g. VCC
2. A model parameter name in the form:
 <model type> <model name(parameter name)> e.g. NPN QF(BF)
3. Operating temperature in the form: TEMP
4. A symbolic parameter in the form:
 PARAM <symbolic parameter name> e.g. PARAM temp1

Sweep specifications can be different for <v1> and <v2>. That is, you can use linear sweeping for one variable and log for the other.

Examples

```
.DC VIN1 -.001 .001 1U  
.DC VCC 0 5 0.1 IB 0 0.005 0.0005  
.DC DEC RES RMOD(R) 1m 100 5  
.DC PARAM FILTER_Q 10 20 1  
.DC VCC LIST 4.0 4.5 5.0 5.5 6.5 VEE LIST 24 25 26
```

.DEFINE

General Form (SPICE or schematics)

```
.DEFINE [ {LOT[t&d]=<n>[%]} ] <text1> <text2>
```

where *t&d* is [[/<lot#>] [/GAUSS|UNIFORM|WCASE]]

Examples

```
.Define V1 (2*t*sin(2*pi*T))
.DEFINE RVAL 128.5K
.DEFINE {LOT=10%} LVAL 1200MH
.DEFINE {LOT/1/GAUSS=10%} CVAL 1200NF
```

This form of the statement is used to create and define the value of a symbolic variable. It substitutes <text2> for <text1> everywhere except for text from the PART attribute Value field and model parameter name text. While you can't use this statement to change the name of a part or a model parameter name, you can use it to change the name of the model itself.

General Form (Schematics only)

```
.DEFINE <name(<p1>[,<p2>][...,<pn>])> f(<p1>[,<p2>][...,<pn>])
```

where f() is some expression involving the parameters <p1>[,<p2>][...,<pn>]

This form of the statement works exactly like C language macros, substituting in at run time the values of <p1>[,<p2>][...,<pn>]. It is also similar to the SPICE .FUNC statement.

Examples: String replacement

A good example of string replacement occurs in digital STIM devices. These devices require a COMMAND attribute string to describe their behavior. A typical command might be:

```
.define SQUAREWAVE
+ 0NS 0
+ LABEL=START
+ +10NS 1
+ +10NS 0
+ +10NS GOTO START 10 TIMES
```

In the STIM COMMAND attribute we enter "SQUAREWAVE ". Later when an analysis is run, MC9 substitutes the lengthy text.

.DEFINE statements are frequently used for the STIM COMMAND attribute, PLA DATA attribute, Nonlinear Table Source TABLE attribute, and Laplace Table Source FREQ attribute.

Examples: Symbolic variables

The following lets you globally assign or even step the W and L of all MOSFETs that use the MX model statement.

```
.DEFINE W1 2U
.DEFINE L1 .3U

.MODEL MX NMOS (W=W1 L=L1....)
```

Examples: User functions

```
.DEFINE IMPEDANCE(X) V(X)/I(X)
.DEFINE CONDUCTANCE(X) I(X)/V(X)
```

These examples define a macro to calculate the impedance and conductance of device X. IMPEDANCE(C12) in AC analysis would plot the complex impedance of the capacitor C12.

The function below lets you calculate collector power in a transistor.

```
.DEFINE PC(Q) VCE(Q)*IC(Q)
```

With this definition, PC(Q10) would plot the collector power in transistor Q10.

The HOT function below flags excessive instantaneous transistor collector power by returning a 1.

```
.DEFINE HOT(Q,MAX) IF((VCE(Q)*IC(Q)>MAX),1,0)
```

With this definition, HOT(QX3,100MW) would plot a 1 if QX3's instantaneous transistor collector power exceeded 100 mW.

Define statements within a circuit are local to that one circuit. However, the define statements in the MCAP.INC file are globally available to all circuits. This file is accessed from the **User Definitions** item on the **Options** menu. It can be edited by the user.

.ELIF

General Form (SPICE files and schematic text areas only)

`.ELIF expression`

Example

`.ELIF test1`

This statement adds a conditional block to a `.IF` statement block. These blocks are placed in the text area of a circuit. Together the `.IF`, `.ELIF`, `.ELSE`, and `.ENDIF` encapsulate a control block. For example:

```
.IF USING_WORST_CASE1
.MODEL B1 NPN (BF=110...)
.ELIF USING_WORST_CASE2
.MODEL B1 NPN (BF=150...)
.ENDIF
```

Note that *expression* must only use variables that are constant during an analysis, such as symbolic variables created by the `.DEFINE` and `.PARAM` commands. Such variables can, of course, change between analysis runs as, for example, when the variables are stepped. *.ELIF may not be used in a .LIB file.*

.ELSE

General Form (SPICE files and schematic text areas only)

`.ELSE`

Example

`.ELSE`

This statement adds a conditional block to a `.IF` statement. Together the `.IF`, `.ELIF`, `.ELSE`, and `.ENDIF` encapsulate a control block. For example:

```
.IF BP1>1
.DEFINE F0 1.0Meghz
.ELSE
.DEFINE F0 2.0Meghz
.ENDIF
```

`.END`

General Form (SPICE files only)

`.END`

Examples

`.END`

This statement specifies the end of a SPICE netlist. These blocks are placed in the text area of a circuit. All circuit descriptions and commands must come before the `.END` statement.

`.ENDIF`

General Form (SPICE files and schematic text areas only)

`.ENDIF`

Example

`.ENDIF`

This statement terminates a `.IF` statement block. Together the `.IF` and `.ENDIF` encapsulate a control block. For example:

```
.IF BEST_CASE  
.DEFINE C1 1.2pF  
.ENDIF
```

`.ENDS`

General Form (SPICE files and schematic text areas only)

`.ENDS [<subcircuit name>]`

Examples

`.ENDS`

`.ENDS FILTER`

This statement terminates a subcircuit description. The optional subcircuit name label is used only for clarification.

.ENDSPICE

General Form (Text area only)

```
.ENDSPICE
```

Examples

```
.ENDSPICE
```

This statement specifies the end of a .SPICE control block. These blocks are placed in the text area of a circuit. For example

```
.SPICE  
.MODEL DD D ()  
D1 OUT A DD  
C10 A 0 100N  
.ENDSPICE
```

This set of commands creates a small network with a diode and a capacitor and connects it to the OUT node in the main circuit. Node A is available for plotting.

.FUNC

General Form (SPICE or schematics)

```
.FUNC <name(<p1>[,<p2>][...,<pn>])> f(<p1>[,<p2>][...,<pn>])
```

This command is similar to the macro form of the .DEFINE command and is included as a separate command because it is sometimes used in commercial models. The function name must not be the same as any of the predefined functions such as sin, cos, exp, etc.

Examples

```
.FUNC MAX3(A,B,C) MAX(MAX(A,B),C)  
.FUNC QUAD(A,B,C,X) A*X^2+B*X+C  
.FUNC DIVIDER(A,B,C) V(B,C)/V(A,C)
```

.HELP

General Form (Schematics only)

`.HELP <parameter name> <"help text">`

This command places parameter help text in a macro schematic. The help text is displayed in the Status bar of the Attribute dialog box when a macro is placed or edited and the cursor is over parameter name.

<parameter name> should be one of the macro parameters listed in the .PARAMETERS statement.

Here are several examples:

`.HELP VP "Peak magnitude of the output signal"`

`.HELP KF "Frequency sensitivity in Hz/Volt"`

.IC

General Forms (SPICE or schematics)

Analog nodes

`.IC <V(<analog node1>[,<analog node2>]) = <voltage value>>*`

Inductors

`.IC <I(<inductor>) = <current value>>*`

Digital nodes

`.IC <D(<digital node>) = <digital value>>*`

Examples

`.IC V(VOUT)=2.0`

`.IC I(L1)=6.0 V(3)=2`

`.IC D(1440)=0`

`.IC D(DIN)=X D(12)=1`

The .IC statement assigns initial voltages, inductor currents, and digital logic states during the AC and transient analysis operating point calculation, and during the first data point in DC analysis. It assigns the analog or digital value to the

node or branch and holds the value during the entire operating point calculation. After the operating point calculation, the node is released. If a .NODESET and an .IC statement are both present in the circuit, the .IC statement takes precedence. That is, the .NODESET statement is ignored.

Note, using .IC statements to set the voltage across inductors or voltage sources is futile. During the operating point calculation inductor voltages are set to zero, and voltage sources assume their TIME=0 value.

The IC statement works as follows in AC and transient analysis:

1. If transient analysis is run and the Operating Point option is enabled or if AC analysis is being run, a DC operating point is calculated. The values specified in the .IC statement are fixed during the operating point calculation.
2. If transient analysis is run and the Operating Point option is disabled: A DC operating point is not calculated. The initial condition appearing in the .IC statement and device initializations are assigned, and the first time point of transient analysis begins using these initial values.

.IF

General Form (SPICE files and schematic text areas only)

.IF expression

Example

```
.IF Temp > 55.0
```

This statement creates the conditional .IF block. Together the .IF , .ELIF, .ELSE, and .ENDIF encapsulate a control block. For example:

```
.IF BANDPASS_FILTER1  
.DEFINE FCTR 41.563Meg  
.ELSE  
.DEFINE FCTR 42.563Meg  
.ENDIF
```

Note that *expression* must only use variables that are constant during an analysis, such as symbolic variables created by the .DEFINE and .PARAM commands. Such variables can, of course, change between analysis runs as, for example, when the variables are stepped. *.IF may not be used in a .LIB file.*

.INCLUDE

General Form (SPICE or schematics)

`.INC[LUDE] <"Filename">`

Examples

```
.INCLUDE "C:\MC9\DATA\EX1DEF.TXT"  
.INC "C:\MC9\DATA\MYSMALL.LIB"
```

This statement includes text from an external text file in a schematic or SPICE file prior to an analysis. This is useful if you have an external library of model statements in text file format. Use the Text tool in the Schematic Editor to add the statement to a schematic. <"Filename"> may include a path. The quotation marks are optional.

This command includes all of the text in the file and can quickly exhaust memory if the included file is large. It should only be used with small text files. For large files, use the .LIB command.

.LIB

General Form (SPICE or schematics)

`.LIB ["Filename"]`

Examples

```
.LIB  
.LIB "C:\MC9\DATA\BIPOLAR.LIB"
```

The .LIB command is both an alternative and a supplement to placing model statements in a schematic or SPICE file. It accesses device models from binary library files (*.LBR) or .MACRO, .MODEL, or .SUBCKT statements from text files (*.LIB). "Filename" is any legal file name and may include a path. Quotation marks are optional. There is no default extension, so you must include the file name extension. .LIB files may contain .MODEL, .SUBCKT, .MACRO, .ENDS, .PARAM, or .LIB statements. Other statements are ignored. Lines are nullified with a "*" at the start of the line. A ";" nullifies the remaining portion of the line.

"Filename" defaults to NOM.LIB. The original NOM.LIB supplied with MC9 accesses the entire Model library by listing each of the constituent model library files. *The default command .LIB NOM.LIB is automatically applied to every cir-*

cuit and is the main access mechanism to the MC9 Model library.

Whenever MC9 needs model information from a macro statement, model statement, or a subcircuit it will look in these places in the order shown:

- If the circuit is a schematic:
 - In the grid text or text area.
 - In the file named in the File attribute (if the device has one).
 - In any file listed in a .LIB statement contained within the circuit.
 - In any file named in the master NOM.LIB file.
- If the circuit is a SPICE text file:
 - In the circuit description text.
 - In any file listed in a .LIB statement contained within the circuit.
 - In any file named in the master NOM.LIB file.

When searching for model library files, MC9 scans the library folders specified at **File / Paths**. If more than one folder is specified, it searches in left to right order. Should the search fail, an error message is issued. Generally, MC9 first looks for model information locally within the circuit, then globally in the library folders.

.MACRO

General Form (Schematics only)

`.MACRO <alias> <macro circuit name(parameter list)>`

Examples

```
.MACRO MCR3818_2 SCR(50m,40m,1u,1,50,50MEG,20u,.5,1)
.MACRO MAC320_4 TRIAC(6m,50m,1.5u,1.4,200,50MEG,0,1,1)
.MACRO KDS_049_S XTAL(4.9152MEG,120,30K)
```

This statement functions much like a .DEFINE statement. It provides a way to replace lengthy macro parameter calls in a macro's VALUE attribute with short model names that compactly describe the behavior of the macro.

For an example of how this works, load the library file THY_LIB.LIB and search for B25RIA10. You will find the following .MACRO statement :

```
.macro B25RIA10 SCR(100m,60m,.9u,.9,100,100MEG,110u,1,1)
```

When you run an analysis on a circuit that uses this part, the FILE attribute

B25RIA10 is replaced by SCR and the parameters are assigned values from the macro statement (100m,60m,.9u,.9,100,100MEG,110u,1,1) in the same order as defined in the .PARAMETERS statement within the SCR macro itself.

The SCR macro's statement is:

```
.PARAMETERS(IH=50mA, IGT=40mA, TON=1uS, VTMIN=1V, VDRM=50V,  
DVDT=50Meg, TQ=20Us, K1=1, K2=1)
```

When a B25RIA10 is used, its IH parameter is set to 100m, its IGT parameter is set to 60m, its TON parameter is set to .9u, and so on.

.MODEL

General Form (SPICE or schematics)

```
.MODEL <model name> [AKO:<reference model name>] <model type>  
+ ([<parameter name>=<value>]  
+ [LOT[t&d]=<value>[%]] [DEV[t&d]=<value>[%]] )
```

Examples

```
.MODEL Q1 NPN (IS=1e-15)  
.MODEL VIN1 PUL (Vone=10V p1=0 p2=.1u p3=10u p4=10.1u p5=15u)  
.MODEL M1 NMOS (Level=3 VTO=2.5 LOT=30% DEV=1%)  
.MODEL R1 RES (R=2.0 TC1=.015)  
.MODEL 2N2222A AKO:2N2222 NPN (BF=55 ISE=10F)  
.MODEL NPN_A NPN (RE=12 LOT/1/GAUSS=30% DEV/2/UNIFORM=2%)
```

The model statement is one way to define the electrical behavior of a device. *<model name>* is the name used to reference or access a particular model. *<value>* may contain simple run-invariant expressions as in this example:

```
.MODEL M2 NMOS (VTO=3.5+TEMP*.0015...
```

This is legal because TEMP (operating temperature) is constant during the run.

The AKO (an acronym for A Kind Of) option lets you clone new models from existing ones. All of the AKO parameters except LOT and DEV tolerances are identical to the parent, except where overridden by the specified model values. In the following example, the 1N914A has the same parameters as the 1N914 except RS, which is 10.

.MODEL 1N914A AKO:1N914 D (RS=10)

Tolerances may be specified as an actual value or as a percentage of the nominal parameter value. Both absolute tracking tolerances (LOT) and relative (DEV) tolerances may be specified.

Both types of tolerance are specified by placing a keyword after the parameter:

[LOT[*t&d*]=<tol1>[%]] [DEV[*t&d*]=<tol2>[%]]

This example specifies a 10% tolerance for the forward beta of Q1.

.MODEL Q1 NPN (BF=100 LOT=10%)

[*t&d*] specifies the tracking and distribution, using the following format:

[/*<lot#>*][/*<distribution name>*]

These specifications must follow the keywords DEV and LOT without spaces and must be separated by "/".

<lot#> specifies which of ten random number generators, numbered 0 through 9, are used to calculate parameter values. This lets you correlate parameters of an individual model statement (e.g. RE and RC of a particular NPN transistor model) as well as parameters between models (e.g. BF of NPNA and BF of NPNB). The DEV random number generators are distinct from the LOT random number generators. Tolerances without *<lot#>* get unique random numbers.

<distribution name> specifies the distribution. It can be any of the following:

Keyword	Distribution
UNIFORM	Equal probability distribution
GAUSS	Normal or Gaussian distribution
WCASE	Worst case distribution

If a distribution is not specified in [*t&d*], the distribution specified in the Monte Carlo dialog box is used.

The model statements of the capacitor, inductor, resistor, diode, GaAsFET, JFET, MOSFET, and BJT devices can individually control the two temperatures:

Measurement temperature: This is the temperature at which the model parameters are assumed to have been measured. It serves as a reference point for temperature adjusting the parameter values. The default value is the value set by a .OPTIONS TNOM statement, if present, or if not then the TNOM Global Settings value (which defaults to 27° C).

Device operating temperature: This is the temperature used to adjust the model parameters from their measured values.

To modify the measurement temperature, specify a value for the model parameter, T_MEASURED. For example,

```
.Model M710 NMOS (Level=3 VTO=2.5 T_MEASURED=35)
```

There are three ways to modify the device operating temperature:

Keyword	Device operating temperature
T_ABS	T_ABS
T_REL_LOCAL	T_REL_LOCAL + T_ABS(of AKO parent)
T_REL_GLOBAL	T_REL_GLOBAL + global temperature

Global temperature is determined as follows:

SPICE circuits

In SPICE circuits, global temperature is set by the .TEMP statement, if present, or a .OPTIONS TNOM=XXX, if present, or by the TNOM Global Settings value. When you select an analysis type, global temperature is determined and placed in the Temperature field of the Analysis Limits dialog box. When this dialog box comes up, you can change the temperature prior to starting the analysis run.

Schematics

In schematics, global temperature is the value in the Temperature field of the Analysis Limits dialog box. .TEMP statements have no effect.

Examples

In this example, the operating temperature of N1 is 47° C:

```
.TEMP 47  
.MODEL N1 NPN(BF=50)
```

In this example, the operating temperature is 35° C:

```
.MODEL N1 NPN(BF=50 T_ABS=35)
```

In this example, the operating temperature of N1 is 30° C and of N2 is 55° C:

```
.MODEL N1 NPN(BF=50 T_ABS=30)
.MODEL N2 AKO:N1 NPN(T_REL_LOCAL=25)
```

In this example, the operating temperature of N1 is 75° C:

```
.TEMP 35
.MODEL N1 NPN(BF=50 T_REL_GLOBAL=40)
```

See Chapter 22, "Analog Devices" for more information on the exact effects of device operating temperature on particular device parameters.

.NODESET

General Forms (SPICE or schematics)

Analog nodes

```
.NODESET <V(<analog node1>[,<analog node2>]) = <voltage value>>*
```

Inductors

```
.NODESET <I(<inductor>) = <current value>>*
```

Digital nodes

```
.NODESET <D(<digital node>) = <digital value>>*
```

Examples

```
.NODESET V(IN1)=45UV V(OUT)=1.2MV D(H1)=1
.NODESET I(L10)=3.5ma
```

The .NODESET statement provides an initial guess for node voltages, currents, and digital logic states during the AC and transient analysis operating point calculation. It assigns the analog or digital value to the node but, unlike the .IC statement, it does not hold the value during the entire operating point calculation. If both an .IC and a .NODESET statement are present in the circuit, the .IC statement takes precedence (the .NODESET statement is ignored).

Note that using .NODESET statements to set the voltage across inductors or voltage sources is futile as their initial voltages are predetermined.

This command can affect transient analysis even when the operating point is skipped, because it sets state variables.

.NOISE

General Form (SPICE files only)

.NOISE V(<node1>[,<node2>]) <source name> [<interval value>]

Examples

.NOISE V(10) V1

.NOISE V(4,3) VAC1 50

.NOISE V(10,12) I1 100

The noise command arguments are placed into the proper MC9 Analysis Limits dialog box fields upon selecting **AC** from the **Analysis** menu. The user should then select either ONOISE, INOISE, or both, for the X or Y expression of one of the plots. Simply selecting one of these variables enables the Noise analysis mode.

V(<node1>[,<node2>]) is any valid AC voltage variable and defines the output at which to measure the noise value. <source name> can be either an independent current or voltage source. It defines the input node(s) at which to calculate the equivalent input noise (inoise).

Noise analysis calculates the RMS value of the noise at the output specified by V(<node1>[,<node2>]), arising from the contributions of all noise sources within the circuit. All semiconductors and resistors contribute noise.

Note that selecting one of the noise variables precludes plotting normal AC small signal variables, like node voltages. You can't, for instance, plot INOISE and V(1) at the same time.

.OP

General Form (SPICE files only)

.OP

Example

.OP

In a SPICE file, this command specifies that the operating point calculation be printed. These are always printed to the Numeric Output window and the CIRCUITNAME.TNO or CIRCUITNAME.ANO file.

.OPT[IONS]

General Form (SPICE or schematics)

`.OPTIONS [<option name>]* [<option name>=<option value>]*`

Examples

```
.options GMIN=1e-9 VNTOL =1n ABSTOL=1n DEFAS=.1u
.options NOOUTMSG
```

This command lets you change the value of one or more constants for a particular circuit. The Options statement overrides Global Settings values. Individual options are described in detail in the Global Settings section of Chapter 2, "The Circuit Editor".

.PARAM

General Form (SPICE or schematics)

`.PARAM <<name> = {<expression>}>*`

Examples

```
.PARAM VSS = 5 VEE = -12
.PARAM RISETIME={PERIOD/10}
```

The .PARAM statement is similar to the .DEFINE statement. It is available for use in both circuit files and libraries. It is provided mainly to ensure compatibility with some commercial vendor libraries.

Curly brackets, "{" and "}" must enclose the definition and usage of the variable. Brackets are not required in the .PARAM statement if the variable is a constant, as in the first example above.

For example, if BF1 were defined as follows:

```
.PARAM BF1={100+TEMP/20}
```

Then you could use it in a model statement like so:

```
.MODEL Q1 NPN (BF={BF1})
```

Here is the equivalent .DEFINE statement:


```
.DEFINE BF1 100+TEMP/20
```

Here is its equivalent usage:

```
.MODEL Q1 NPN (BF=BF1)
```

Essentially, the .PARAM statement requires curly brackets in definition and use and the .DEFINE does not.

As with the .DEFINE statement, *<name>* can't be a reserved variable name, such as T (Time), F (Frequency), or S (complex frequency), or a reserved constant name such as VT, TEMP, PI, or GMIN.

.PARAMETERS

General Form (Schematics only)

```
.PARAMETERS (<parameter[=<value>]> [, <parameter[=<value>]>]*)
```

Examples

```
.parameters(GBW, Slew, Iscp, F1=1K, F2=1.1K)  
.Parameters(Gain,ROUT=50)
```

The .PARAMETERS statement is placed in a macro circuit as grid text or in the text area and declares the names of parameters to be passed to it from the calling circuit. A parameter is a numeric value that you pass to a macro circuit. It can be used in the macro circuit as, for example, the RESISTANCE attribute of a resistor, or as a model parameter value, such as the BF of a BJT transistor.

The optional default [=<value>] specifies a parameter's default value. This value is assigned to the parameter when the part is placed in the schematic. The value can be edited from the Attribute dialog box. If the parameter's default value is not specified in the .PARAMETERS statement within the macro, its value must be specified when the macro is placed in a circuit.

See the macro circuits SCR, XTAL, PUT, or TRIAC for examples of how this command is used.

.PATH

General Forms (SPICE or schematics)

```
.PATH DATA <datapath1>
.PATH LIBRARY <libpath1>
.PATH PICTURE <picpath1>
.PATH DOCUMENT<docpath1>
```

Examples

```
.PATH DATA C:\MC9\DATA
.PATH LIBRARY D:\LIB1
```

This command lets you specify a path for accessing data folder content (typically circuit files), library folder content (typically model files), and picture folder content. It takes precedence over the global paths at **File / Paths**.

.PLOT

General Form (SPICE files only)

```
.PLOT <analysis type> [<output variable>]*
+ ([<lower limit value>,<upper limit value>])*
```

Example

```
.PLOT AC V(10) V(1,2) (0,10)
```

This statement specifies what is to be plotted in the analysis plot. It enters the specified variables as simple waveform expressions in the Analysis Limits Y expression fields. <analysis type> is one of the following AC, DC, NOISE, or TRAN. Output variables can be any node voltage, source current, or digital state.

.PRINT

General Form (SPICE files only)

```
.PRINT <analysis type> [<output variable>]*
```

Example

```
.PRINT TRAN V(1) D(10)
```

This statement specifies what is to be printed in the numeric output. It enters the

variables as expressions in the Analysis Limits Y expression fields. <analysis type> must be AC, DC, NOISE, or TRAN. Output variables include node voltages, source currents, and digital states. Output files are named as following:

CIRCUITNAME.TNO	Transient analysis
CIRCUITNAME.ANO	AC analysis
CIRCUITNAME.DNO	DC analysis

.SENS

General Form (SPICE files only)

.SENS <output expression> [<output expression>]*

Examples

```
.SENS V(1) V(3)
.SENS V(D1)*I(D1)
```

This statement controls the sensitivity analysis feature. It tells the program to calculate the DC sensitivity of each specified <output expression> to the default parameters. Default parameters include a subset of all possible model parameters. These can be changed from the Sensitivity analysis dialog box.

.SPICE

General Form (Text area only)

.SPICE

Example

```
.SPICE
```

This statement specifies the beginning of a .SPICE control block. These blocks are placed in the text area of a circuit. For example

```
.SPICE
R1 OUT A 100
C10 A 0 100N
.ENDSPICE
```

This set of commands creates a small network with a resistor and a capacitor and connects it to the OUT node in the main circuit. Node A is available for plotting.

.STEP

General Form (SPICE files only)

Linear stepping format

```
.STEP LIN <name> <start> <end> <step> ;$MCE <parameter>
```

In this format, the value begins at *<start>*. *<step>* is added until *<end>* is reached. For each value a new simulation is run.

Log stepping format

```
.STEP [DEC | OCT] <name> <start> <end> <points> ;$MCE <parameter>
```

In this format, the value begins at *<start>*. The value is multiplied by an internally calculated value to produce *<points>* points between *<start>* and *<end>*. For each value a new simulation is run.

List stepping format

```
.STEP <name> LIST <value>* ;$MCE <parameter>
```

In this format, the value is stepped through the values in the list. For each value a new simulation is run.

Examples

```
.STEP LIN RES RES1(R) 0.5 2 0.3  
.STEP DEC CAP POLY1(C) 10P 1N 10  
.STEP RES RCARBON(R) LIST 1 2 3 4 5
```

This command implements the stepping feature for SPICE files. All standard stepping features available to schematic circuits are available to SPICE netlist circuits with this command.

The `;$MCE <parameter>` addition extends the standard SPICE syntax to handle the parameters for simple components such as the value of a resistor, capacitor, or inductor. Many SPICE varieties require that these be stepped indirectly via the multiplier Model parameter.

.SUBCKT

General Form (SPICE files and schematic text areas only)

```
.SUBCKT <subcircuit name> [<node>]*  
+ [OPTIONAL:<<node>=<default value>>*]  
+ [PARAMS:<<parameter name>=<parameter default value>>*]  
+ [TEXT:<<text name>=<text default value>>*]
```

Examples

```
.SUBCKT LT1037 1 2 3 50 99  
.SUBCKT CLIP IN OUT PARAMS: LOW=0 HIGH=10  
.SUBCKT 7400 D1 D2 Y1  
+ OPTIONAL: DPWR=44 DGND=55
```

This statement marks the beginning of a subcircuit definition. The subcircuit definition ends with the .ENDS statement. All statements between the .SUBCKT and the .ENDS statements are included in the subcircuit definition.

<subcircuit name> is the name of the subcircuit and is the name used when the subcircuit is called or used by another circuit.

[<node>]* are the node numbers passed from the subcircuit to the calling circuit. The number of nodes in the subcircuit call must be the same as the number of nodes in the .SUBCKT statement. When the subcircuit is called, the nodes in the call are substituted for the nodes in the body of the subcircuit in the same order as in the .SUBCKT statement. Consider this example:

```
X1 1 2 BLOCK  
  
.SUBCKT BLOCK 10 20  
R1 10 0 1K  
R2 20 0 2K  
.ENDS
```

In this example, the resistor R1 is connected between node 1 and node 0 and R2 is connected between node 2 and node 0.

The OPTIONAL keyword lets you add one or more nodes to the subcircuit call. If the nodes are added, they override the default node values. This option is often used to override the default digital global power pins. In the subcircuit call, you may specify one or more of the optional nodes in the call, but you must specify

all nodes prior to and including the last one you want to specify. You can't skip nodes, since the parser can't tell which nodes are being skipped. Consider this:

```
.SUBCKT GATE 1 2  
+ OPTIONAL: A=100 B=200 C=300
```

Any of the following are legal calls:

```
X1 1 2 GATE ; results in A=100 B=200 C=300  
X2 1 2 20 GATE ; results in A=20 B=200 C=300  
X3 1 2 20 30 GATE ; results in A=20 B =30 C=300  
X4 1 2 20 30 40 GATE ; results in A=20 B =30 C=40
```

The keyword PARAMS lets you pass multiple numeric parameters to the subcircuit. *<parameter name>* defines its name and *<parameter default value>* defines the value it will assume if the parameter is not included in the subcircuit call. For example:

```
.SUBCKT BAND 10 20 30  
+ PARAMS: F0=10K BW=1K
```

Any of these calls are legal:

```
X1 10 20 30 BAND ;Yields F0=10K BW=1K  
X2 10 20 30 BAND PARAMS: F0=50K BW=2K ;Yields F0=50K BW=2K  
X3 10 20 30 BAND PARAMS: BW=2K ;Yields F0=10K BW=2K
```

The keyword TEXT lets you pass text parameters to the subcircuit. *<text name>* defines the name of the text parameter and *<text default value>* defines the value it will assume if the parameter is not included in the subcircuit call. For example, given this subckt definition:

```
.SUBCKT PLA 1 2 3 4 TEXT: FILE="J10.JED"
```

Either of these calls are legal:

```
X1 10 20 30 40 PLA ;Yields FILE="J10.JED"  
X2 10 20 30 40 PLA TEXT:FILE="J20.JED" ;Yields FILE="J20.JED"
```

The text parameter may be used:

- To specify a JEDEC file name of a PLD component.
- To specify a stimulus file name for a FSTIM device.
- To specify a text parameter to a subcircuit.
- As a part of a text expression in one of the above.

.TEMP

General Form (SPICE files only)

.TEMP <temperature value>*

Examples

.TEMP 50 ;One run at TEMP=50
.TEMP 0 50 100 ;Three runs at TEMP = 0 , 50, and 100 degrees

The .TEMP statement specifies the operating temperature at which the circuit will be analyzed. The default value is 27 ° Centigrade. Temperature dependent parameters are a function of the difference between the operating temperature and the measurement temperature.

The temperature at which device parameters are assumed to have been measured is called the measurement temperature or TNOM. It is obtained from a .OPTIONS TNOM=XX statement. If this statement is not present in the circuit, the Global Settings TNOM value is used instead.

.TF

General Form (SPICE files only)

.TF <output expression> <input source name>

Examples

.TF V(OUT) V1
.TF VBE(Q1)*IB(Q1) VIN

In this type of analysis, the program calculates the small-signal DC transfer function from the specified <input source name> to the specified <output expression>. It also calculates the small-signal DC input and output resistances.

.TIE

General Form (Schematics)

.TIE <part name> <pin name>

Examples

.TIE JKFF CLKB

`.TIE LF155 VCC`

The `.TIE` statement connects together all of the specified *<pin name>* pins of the specified *<part name>* parts. This is a convenient way of simultaneously connecting many common pins. It is normally used for power, clock, reset, and preset pins. The first example above specifies that the CLKB pins of all JKFF parts are to be connected together.

Note that *<part name>* is the general part name from the Component library, not a schematic part name. For example, in a circuit with three JKFF parts, named U1, U2, and U3, the CLKB pins would be connected with `.TIE JKFF CLKB`.

`.TR`

General Form (Schematics)

`.TR <s1 t1> [s2 t2...sn-1 tn-1 sn tn]`

The `.TR` statement lets you set the maximum time step during different parts of transient analysis.

Examples

`.TR 1n 100n .1n 200n 10n 1u`

In this example the time step is limited to 1n from tmin to 100n. Between 100ns and 200ns it is limited to .1n. Between 200ns and 1us it is limited to 10n.

The purpose of this command is to provide some flexibility in simulating difficult circuits. It is mainly used when the circuit needs a more conservative (smaller) maximum time step during a critical part of the simulation but would have a very long run time if the smaller maximum time step were specified for the entire run. Without this command, the Maximum Time Step parameter specified in the Analysis Limits dialog box controls the time step for the entire run.

`.TRAN`

General Form (SPICE files only)

`.TRAN <printstep> <run stop time>
+ [<print start time> [<max time step>]] [UIC]`

Examples

```
.TRAN 10ps 110ns  
.TRAN 1ns 1us 500ns .5ns UIC
```

The .TRAN command arguments control the transient analysis run parameters. They are copied into the appropriate Analysis Limits dialog box fields upon selecting **Transient** from the **Analysis** menu. Here is the conversion:

<u>.TRAN value</u>	<u>MC9 effect or assignment</u>
<printstep>	Number of Points = 1 + <run stop time> / <printstep>
<run stop time>	Time Range = <run stop time>
<print start time>	No effect
<max time step>	Maximum Time Step = <max time step>
UIC	Disables the Operating Point option

The <printstep> value declares the time interval between numeric printouts. The <run stop time> value specifies the last time point to be simulated. The UIC keyword, an acronym for Use Initial Conditions, instructs the simulator to skip the usual operating point calculation and use the initial conditions as specified in the .IC statements and device initial conditions.

.WARNING

General Form (Schematics)

```
.WARNING ["Title" [,]] "Message" [,] condition [,print_expr]
```

Example 1

```
.WARNING "Capacitor overvoltage", V(C1) > 50
```

Typical output from a transient run for this example:

Warning:

Capacitor overvoltage at T=0

Example 2

```
.WARNING "Reminder" , "Power is excessive", PDT > 5, V(VCC)
```

Typical output from a transient run for this example:

Reminder:

Power is excessive at V(VCC)=5.5

Example 3

.WARNING "AC Gain inadequate", dB(V(OUT)) <41

Typical output from an AC run for this example:

Warning:

AC Gain inadequate at F=1E3

This command lets you define warning messages that appear if *condition* is TRUE. *Condition* is a boolean expression like $I(R1) > 2$. If the condition is true during an analysis, the message is printed in the schematic along with the value of *print_expr* if it is specified. If *print_expr* is not specified then the analysis sweep variable (T in transient, F in AC, and DCINPUT1 in DC analysis) is printed.

"Title" replaces the default "Warning".

All of the commas except the one preceding *print_expr* may be replaced with spaces. The text "\n" forces a new line in the message text. This is not needed if the command is entered using the grid text box.

A global part name can be used in *condition*. For example:

Examples of a warning *condition* that applies to a single part:

V(R1)>1 triggers the message when the voltage of R1 exceeds 1.

ES(C3)>100n triggers the message when the energy stored in C3 exceeds 100n.

Examples of a warning *condition* that applies to multiple parts:

PD(D@)>100mW triggers the message when the power dissipation of any two terminal device with a name that starts with the letter D exceeds 100mW.

I(RX@)>15m triggers the message when the current of any two terminal device with a name that starts with the letters RX exceeds 15m.

See the sample circuits WARN.CIR and WARN2.CIR for examples of how this command can be used.

.WATCH

General Form (SPICE files only)

```
.WATCH [DC][AC][TRAN] [<output_var>]*
```

Examples

```
.WATCH TRAN V(220) I(L1)  
.WATCH AC DB(V(1)) PH(V(1))  
.WATCH DC V(OUT)
```

The .WATCH command lets you specify numeric values to observe during a SPICE file analysis run. The value of one or more <output_var> expressions is computed and printed in the Watch window.

All of the things this command does can also be done from the Watch and Breakpoint windows. What this command primarily does is encode the watch information in a .WATCH command for saving with the SPICE file so it can be reused later.

What's in this chapter

This chapter describes the operation of the Model program.

Model is designed to make the creation of device model parameters from data sheet values fast, easy, and accurate. It is an interactive, optimizing curve fitter that takes numbers from data sheet graphs or tables and produces an optimized set of device model parameters. Model uses Powell's direction-set method for optimization. This robust algorithm is well suited to the type of error minimization required in device modeling. For those interested in the algorithm, see *Numerical Recipes in C, The Art of Scientific Computing*, published by Cambridge University Press.

As a general guideline, two to five data pairs should be taken from the appropriate data sheet graphs. If the graphs are not available, use a single data pair from the specification tables. If the specification table is missing from the data sheet, use the default values supplied. Use typical, room temperature values. After entering the data, use the **Initialize** option for a first estimate, then use the **Optimize** option.

How to start Model

Model is accessed when a model data file (one with the MDL extension) is opened or created from the File menu or when a model data file is opened from the Model menu.

The Model window

The Model window houses all of the functions necessary to create and access data files and to produce optimal models. Its display looks like this:

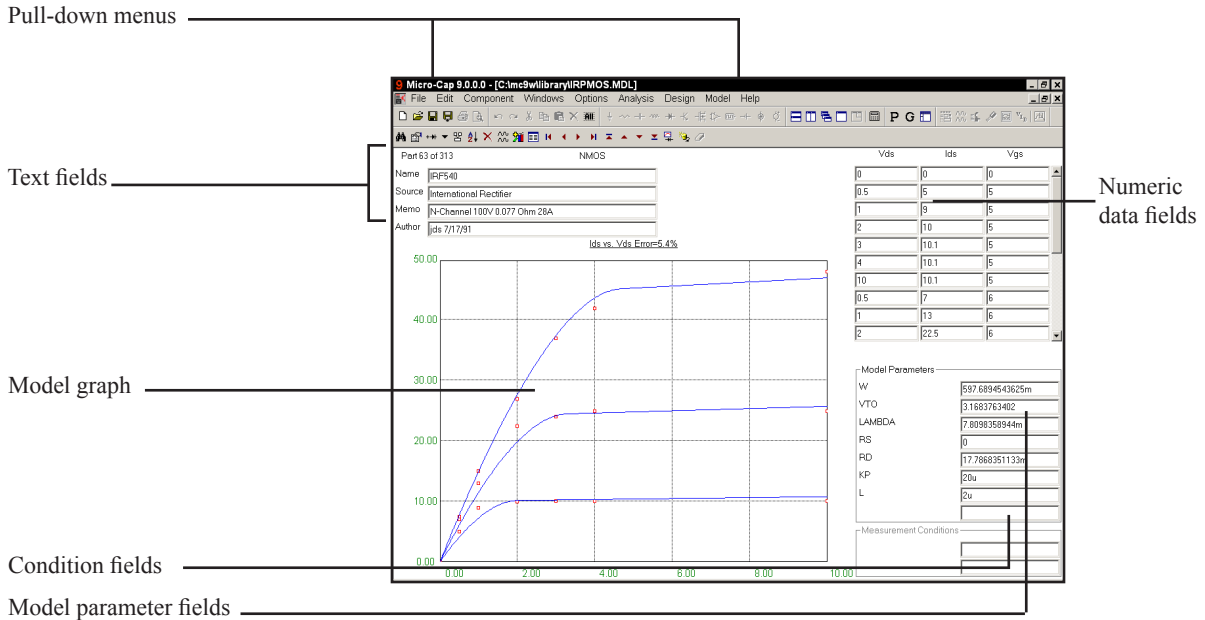


Figure 27-1 The Main Display

The principal components of the Model window are as follows:

Text fields: There are four Text fields: Name, Source, Memo, and Author. The Name and Memo fields are imported to the MC9 Component library. The Name field holds the part name and is used in sorting. The other text fields serve only as additional documentation.

Numeric data fields: There are from one to three data fields, depending upon the device type and graph. From one to fifty data sets may be entered in the fields. The data is usually obtained from a data sheet graph. If the graph is not available, a single data point may be taken from the specification tables. If the specification value is not available, no data is entered and default values are used for the corresponding model parameters.

Model Graph: The model graph shows a plot of the curve for the model parameters in the Model fields. It also plots the numeric data points, if any are entered by

the user. The quality of the fit can be judged by noting how close the data points match the model curve. A more rigorous estimate is shown in the error display just below the text fields. This error figure is the average percentage error of all data points.

Model parameter fields: Model parameters are changed by initialization or optimization, but may also be directly edited. This is sometimes useful to gauge the effect of a model parameter change. Occasionally, it is useful to manually initialize the model parameter values to obtain a better fit than can be obtained by using initialization.

Condition fields: These fields hold the value of any external test condition used in the measurement from which the data points were obtained.

The Model tool bar

This tool bar provides access to the Model functions:



• **Find:** This searches the text fields for a matching string. It is usually used to find a part name.



• **Properties (F10):** This accesses the properties dialog box for the window. It lets you control the color and font of the screen areas, and the makeup of the tool bar.



• **Add Part:** This lets you add a new part to the current file. The part type is selected from a submenu and added to the end of the file.



• **Merge:** This merges the current file with one from the disk. The results are displayed in the current data file, but are only saved to disk if requested by the user with a Save or Save As command or when the file is unloaded.



• **Sort:** This sorts the parts in the file alphanumerically by name.



• **Delete Part:** This command deletes the currently displayed part.



• **Step:** This command lets you step one of the model parameters.



• **Add These Parts to the Component Library:** This command creates model statements for each of the parts in the file, places them in a user named file (.LIB) and enters the parts into the Component Library, making them immediately available for use in schematics.



• **Parts List (CTRL + L):** This opens the parts list dialog box for the open Model file. It lets you move, copy, and delete parts from any open file.



• **First Graph (CTRL + SHIFT + LEFT ARROW):** This shows the first graph for the current part.



• **Previous Graph: (CTRL + LEFT ARROW)** shows the prior graph.



• **Next Graph: (CTRL + RIGHT ARROW)** shows the next graph.



• **Last Graph: (CTRL + SHIFT + RIGHT ARROW)** shows the last graph.



- **First Part (CTRL + HOME):** This shows the first part in the file.



- **Previous Part (CTRL + UP ARROW):** This shows the prior part.



- **Next Part (CTRL + DOWN ARROW):** This shows the next part.



- **Last Part (CTRL + END):** This shows the last part in the file.



- **Optimize: (CTRL+T)** This optimizes the model parameter values to fit the supplied data points. Optimizing is done for the selected graph of the current part, by minimizing the RMS difference between the data points and the plot values predicted by a particular set of parameters.



- **Initialize: (CTRL+I)** This initializes the model parameter values for the displayed graph of the part. This is usually the prelude to optimizing.



- **Delete Data: (CTRL + D)** This option lets you delete the data pair or data triplet in the data field where the cursor is presently located. It only affects the Numeric Data fields, not the text fields. It is enabled only when the text cursor is located in one of the Numeric Data fields. Note that there is no

The Model menu

This menu provides access to many of the Model functions:

- **Open:** This loads an existing model (*.MDL) data file from disk. Files can also be opened from the File menu.
- **Merge:** This merges the current file with one from the disk. The results are displayed in the current data file, but are only saved to disk if requested by the user with a Save or Save As command or when the file is unloaded.
- **Add These Parts to the Component Library:** This command creates model statements for each of the parts in the file, places them in a user named file (.LIB) and enters the parts into the Component Library, making them immediately available for use in schematics.
- **Sort:** This command orders the parts alphanumerically.
- **Change Polarity:** This command lets you change the polarity of the displayed device. For example, you can change the polarity of a bipolar transistor from NPN to PNP, or MOSFET from PMOS to NMOS.
- **Change Core Units (CTRL + U):** This lets you switch between the SI units of Teslas - Amps/Meter and CGS units of Gauss - Oersteds. This only affects the plot scale values and the B-H curve data. The optimized model parameters always remain in the original hybrid system of units.
- **Delete Data: (CTRL + D)** This option lets you delete the data pair or data triplet in the data field where the cursor is presently located. It only affects the Numeric Data fields, not the text fields. It is enabled only when the text cursor is located in one of the Numeric Data fields.
- **Add Part:** This option lets you add a new part to the current file. The part type is selected from a submenu and added to the end of the file.
- **Delete Part:** This command deletes the currently displayed part.
- **Options:** This accesses a number of options:
 - **Global Settings:** These are the stop limits for the optimizer.

- **Maximum Relative Per-iteration Error:** If the relative difference in the RMS error function from one iteration to the next drops below this value, the optimization will stop. This value is typically 1u to 1m.

- **Maximum Percentage Per-iteration Error:** If the percentage difference in the RMS error function from one iteration to the next drops below this value, optimization will stop. This value is typically 1u to 1m.

- **Maximum Percentage Error:** If the actual percentage error of the RMS error function drops below this value, optimization will stop. This value is typically 0.1 to 5.0.

- **Model Defaults**

This accesses an editor which lets you change the minimum, initial, and maximum values for all model parameters. The minimum and maximum serve as limits on the value of optimized parameters during optimization. The initial value is used for initialization prior to optimization.

- **Auto Scale (F6)**

This command automatically scales the plot.

- **Manual Scale (F9)**

This option lets you manually change the plot scale.

- **Step Model Parameters**

This option lets you step any of the model parameters.

- **View:**

This lets you access the parts and their graphs. The data file can be viewed as a two-dimensional structure with the graphs arranged from left to right and the parts from top to bottom. The CTRL + ARROW keys provide a kind of two-dimensional access to the file:

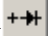
- **Parts List (CTRL + L):** This opens the parts list dialog box. It lets you move, copy, and delete parts from any open file.

- **First Graph (CTRL + SHIFT + LEFT ARROW):** This shows the first graph for the current part.

- **Previous Graph: (CTRL + LEFT ARROW)** shows the prior graph.
 - **Next Graph: (CTRL + RIGHT ARROW)** shows the next graph.
 - **Last Graph: (CTRL + SHIFT + RIGHT ARROW)** shows the last graph.
 - **First Part (CTRL + HOME):** This shows the first part in the file.
 - **Previous Part (CTRL + UP ARROW):** This shows the prior part.
 - **Next Part (CTRL + DOWN ARROW):** This shows the next part.
 - **Last Part (CTRL + END):** This shows the last part in the file.
 - **All Graphs:** This shows all graphs.
 - **One Graph at a Time:** This shows a single graph.
 - **List of Graphs:** This lets you add a graph from the part's graph list.
- **Initialize: (CTRL+I)** This initializes the model parameter values for the displayed graph of the part. This is usually the prelude to optimizing.
 - **Optimize: (CTRL+T)** This optimizes the model parameter values to fit the supplied data points. Optimizing is done for the selected graph of the current part. Optimization is done by minimizing the RMS difference between the data points and the plot values predicted by a parameter set.
 - **Initialize and Optimize All:** This first initializes and then optimizes each part in the data file. If the parts have never been optimized, this is a convenient way of optimizing all parts in the data file.
 - **Optimize All:** This optimizes each part in the file without initialization. If the parts have been optimized one or more times, and you wish to tighten the optimization tolerances to produce a better fit, or possibly you have changed a few data values in the file, but can't remember which have been changed, this option provides a convenient way to re-optimize the entire data file.

A bipolar transistor example

To illustrate the use of Model, we'll use the 2N3903 transistor. The example is based upon the product data sheet which begins on page 2-3 in the data book, *Motorola Small-Signal Transistors, FETs, and Diodes Device Data Rev 5*.

Begin by creating a new file. Select **File / New / Model File**, then click on the OK button item. This creates a model file called MDL1.MDL. Click on the Add part button , and select the NPN type. This adds an NPN part with no data points. Type "2N3903" into the Name text field.

Now you're ready to enter data. Locate Figure 27, the "ON" VOLTAGES graph, on page 2-7 of the Motorola handbook. From the two V_{be} vs. I_c plots choose the $V_{be}(\text{sat}) @ I_c/I_b = 10$ curve. Press the Tab key or use the mouse to move the cursor to the I_c data field. Enter these data sets from the graph.

I_c	V_{be}
.001	.65
.01	.74
.025	.80
.1	.93

Press CTRL + I to initialize and CTRL + T to optimize the values. The results look like this:

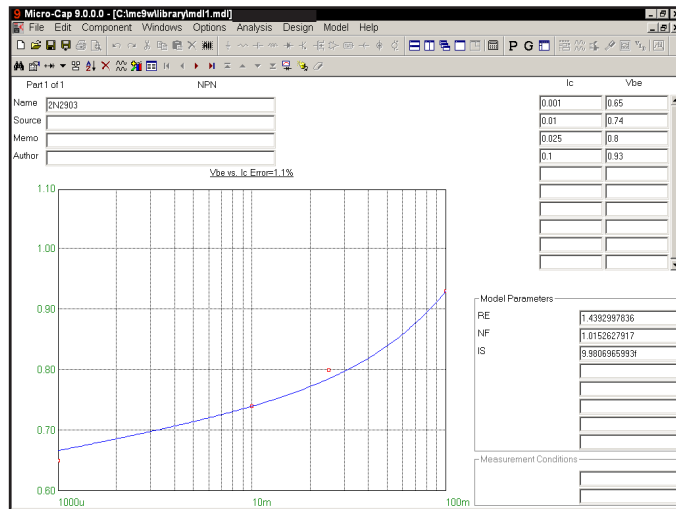


Figure 27-2 The V_{be} vs. I_c plot

The model parameters RE, NF, and IS are optimized to produce a fit to the V_{be} vs. I_c curve of about 1%. This is a slightly better than average error for this type of graph.

Press CTRL + RIGHT ARROW to display the H_{oe} vs. I_c graph. From the table for H_{oe} , enter the maximum value ($I_c=1\text{mA}$, $H_{oe}=40\text{E-6}$). Press CTRL + T.

Press CTRL + RIGHT ARROW. This displays the Beta vs. I_c graph. Locate the graph, Figure 15, DC Current Gain, on page 2-6. Select the 25° plot. Enter the following data points from the graph:

I_c	Beta	I_c	Beta
.0001	44	.030	72
.001	77	.050	50
.005	98	.100	27
.010	100		

Move the cursor to the Measurement Conditions field and enter 1.0 for V_{ce} . Press CTRL + I to initialize and CTRL + T to optimize. The results look like this:

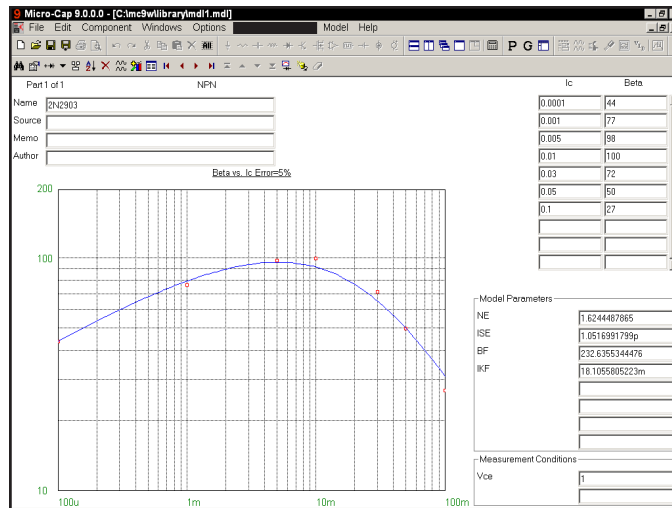


Figure 27-3 The Beta vs. I_c Plot

The model parameters NE, ISE, BF, and IKF are optimized to fit the plot to within an error of about 5%. A typical error range for this plot is 1% to 20%. Press CTRL + RIGHT ARROW and Model will display the next graph, V_{ce} vs. I_c .

From the same "ON" VOLTAGES graph used earlier, select the $V_{ce}(\text{Sat})$ curve. From the curve enter the following data points:

I_c	V_{ce}
.001	.1
.010	.11
.05	.2
.10	.35

Move the cursor to the Measurement Conditions field and enter 10 for I_c/I_b . Initialize and optimize the values. The results look like this:

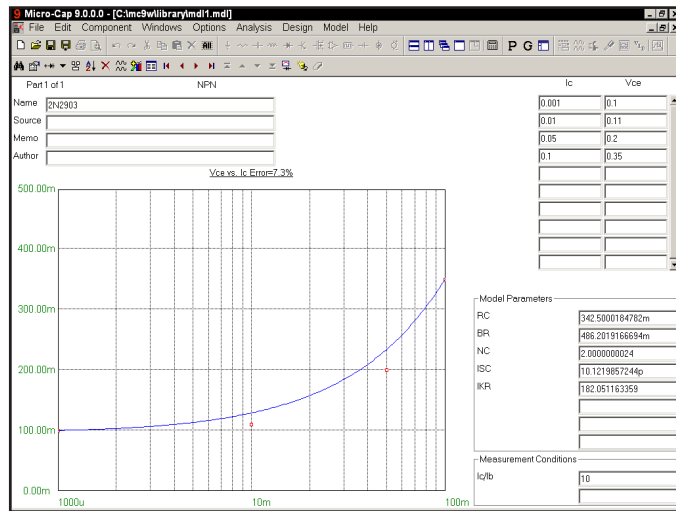


Figure 27-4 The V_{ce} vs. I_c Plot

The model parameters RC, BR, NC, ISC, and IKR are optimized to produce a fit to the V_{ce} vs. I_c plot of about 7%. This is a good fit for the V_{ce} plot. Generally an error range of 5% to 25% is to be expected here.

Press CTRL + RIGHT ARROW to select the next plot, Cob vs. Vcb. From the Cob plot in Figure 3, CAPACITANCE graph, on page 2-4 enter these values.

V_{cb}	C_{ob}
0.10	3.5pF
1.00	2.7pF
10.0	1.7pF

Initialize and optimize and the results look like Figure 27-5.

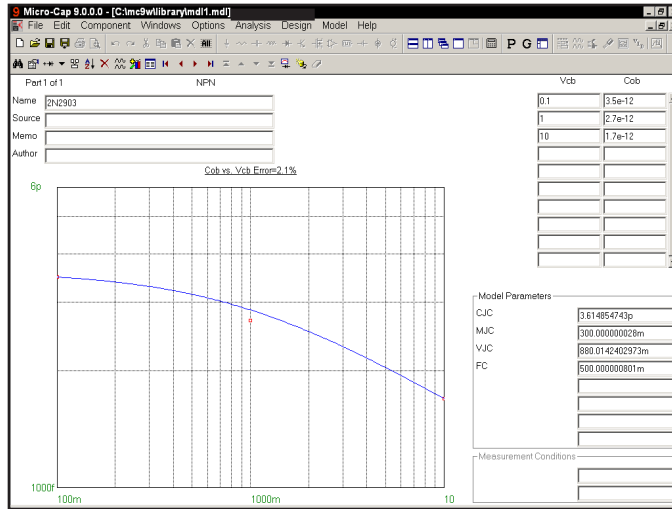


Figure 27-5 The Cob vs. Vcb Plot

Press CTRL + RIGHT ARROW to select the next plot Cib vs. Veb. From the Cib plot in Figure 3, CAPACITANCE graph, on page 2-4, enter these values.

Veb	Cib	Veb	Cib	Veb	Cib
.10	4.2pF	1.0	3.3pF	5.0	2.5pF

Initialize and optimize and the results look like this:

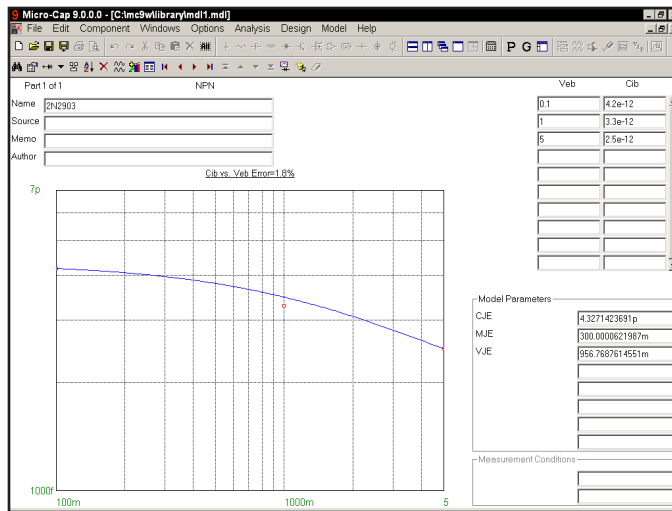


Figure 27-6 The Cib vs. Veb Plot

Press CTRL + RIGHT ARROW to select the next plot, TS vs. Ic. From the Ic/Ib = 10 curve in Figure 7, STORAGE TIME graph, on page 2-5, enter these values for collector current and storage time:

Ic	TS
1m	100n
10m	130n
200m	53n

Set the Measurement Condition Ic/Ib field to 10. Initialize and optimize and the results look like this:

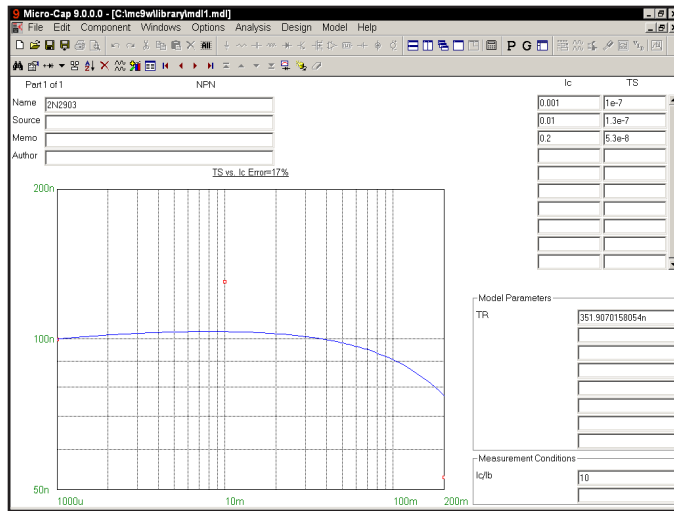


Figure 27-7 The TS vs. Ic Plot

The model parameter TR is optimized to produce an error of about 17%.

Press CTRL + RIGHT ARROW to select the next plot, FT vs. Ic. From the Small-signal specification tables enter this data point.

Ic	FT
10m	250E6

Diode graphs

Title **Forward current vs. Forward voltage**

Purpose This screen estimates IS, N, and RS.

Input One or more pairs of If and Vf values.

Output Model values for IS, N, and RS.

Equations $V_f = V_T \cdot \ln(I_f/I_S) + I_f \cdot R_S$

Guidelines Use data from the If vs. Vf graphs. If unavailable, use typical values from the tables. Use data from both the low and high current ranges. The low-current data will determine the value of IS and N, and the high-current data points will determine RS.

Title **Capacitance C vs. Reverse voltage**

Purpose This screen estimates CJO, M, VJ, and FC.

Input One or more pairs of Cj and Vr values.

Output Model values for CJO, M, VJ, and FC.

Equations $C = C_{JO} / (1 + V_R/V_J)^M$

Guidelines Use data from the C vs. Vr graphs. Vr is the value of the reverse voltage and is always positive.

Title **Id vs Vrev**

Purpose This screen estimates RL.

Input One or more pairs of Irev and Vrev values.

Output Model value for RL.

Equations $I_{rev} = V_{rev}/R_L$ (the breakdown portion is ignored)

Guidelines Use data from the Irev vs. Vrev graphs. If unavailable, use typical values from the tables. RL models the main reverse leakage current component. BV is not optimized.

Title **Trr vs. Ir/If ratio**

Purpose This screen estimates TT, the transit time parameter.

Input One or more pairs of Trr and Ir/If values. Ir/If is the ratio of the forward and reverse base currents used to measure Trr.

Output Model value for TT.

Equations $t_{rr} = t_t \cdot \log_{10}(1.0 + 1.0/\text{ratio})$

Guidelines Use data from the Trr vs. Ir/If ratio graphs. If unavailable, use typical values from the tables. If the typical value is not available, use an average of the min and max values.

Bipolar transistor graphs

Title **Vbe vs. Ic**

Purpose This screen estimates IS, NF, and RE.
Input One or more pairs of Vbe and Ic values.
Output Model values for IS, NF, and RE.
Equations $V_{be} = V_T \cdot NF \cdot \ln(I_c / I_S) + I_c \cdot R_E$
Guidelines Use data from the VbeSat vs. Ic graphs. If unavailable, use typical values.

Title **Hoe vs. Ic**

Purpose This screen estimates the forward Early voltage, VAF.
Input One or more pairs of Hoe and Ic values.
Conditions The value of Vce.
Output Model values for VAF.
Equations $Hoe = I_c / (VAF + V_{ce} - 0.7)$
Guidelines Use the Hoe vs. Ic graphs. If unavailable, use typical values.

Title **Beta vs. Ic**

Purpose This screen estimates the parameters, NE, ISE, BF, and IKF. These parameters model the low-current recombination and high-level injection effects that produce a drop-off in the forward beta.
Input One or more pairs of Beta and Ic values.
Conditions The value of Vce.
Output Model values NE, ISE, BF, and IKF.
Equations $BF = f(I_c) = \text{simulated tabular function of BF vs. Ic}$
Guidelines Use the Beta vs. Ic graph. If unavailable, use typical table values.

Title **Vce vs. Ic**

Purpose This screen estimates NC, ISC, BR, IKR, and RC. These model the low-current recombination and high-level injection effects that cause reverse beta drop-off. The collector resistance is also estimated.
Input One or more pairs of Vce and Ic values.
Conditions The value of the Ic/Ib ratio used in the measurement.
Output Model values NC, ISC, BR, IKR, and RC.
Equations $V_{ce} = (\text{simulated tabular function of Vce vs. Ic}) + I_c \cdot (RC + RE)$
Guidelines Use the Vce vs. Ic graphs. If unavailable, use typical table values.

Title **Cob vs. Vcb**
 Purpose This screen estimates CJC, MJC, VJC, and FC.
 Input One or more pairs of Cob and Vcb values.
 Output Model values for CJC, MJC, VJC, and FC.
 Equations $Cob = CJC / (1 + Vcb / VJC)^{MJC}$
 Guidelines Use the Cob vs. Vcb graphs. Vcb is the value of the collector-base voltage and is always positive.

Title **Cib vs. Veb**
 Purpose This screen estimates CJE, MJE, and VJE.
 Input One or more pairs of Cib and Veb values.
 Output Model values for CJE, MJE, and VJE.
 Equations $Cib = CJE / (1 + Veb / VJE)^{MJE}$
 Guidelines Use the Cib vs. Veb graphs. Veb is the value of the emitter-base voltage and is always positive.

Title **TS vs. Ic**
 Purpose This screen estimates Tr, the reverse transit time value.
 Input One or more pairs of TS and Ic values.
 Conditions The value of the Ic/Ib ratio used in the measurement.
 Output Model value for Tr.
 Equations $ar = br / (1.0 + br)$, $af = bf / (1.0 + bf)$
 $k1 = (1.0 - af \cdot ar) / ar$, $k2 = (af / ar) \cdot TF$
 $TS = ((Tr + k2) / k1) \cdot \ln(2.0 / ((Ic / Ib) / bf + 1.0))$
 Guidelines Use the TS vs. Ic graphs. Use a typical value. If the typical value is unavailable, use an average of the min and max values.

Title **Ft vs. Ic**
 Purpose This screen estimates TF, ITF, XTF, and VTF.
 Input One or more pairs of Ft and Ic values.
 Conditions The value of Vce.
 Output Model values for TF, ITF, XTF, and VTF.
 Equations $vbe = VT \cdot N \cdot \ln(Ic / ISS)$, $vbc = vbe - Vce$
 $atf = 1 + XTF \cdot (Ic / (Ic + ITF))^2 \cdot e^{(vbc / (1.44 \cdot VTF))}$
 $tf = TF \cdot (atf + 2 \cdot (atf - 1) \cdot ITF / (Ic + ITF) + VT \cdot N \cdot (atf - 1) / (1.44 \cdot VTF))$
 $fa = (1 - vbc / VAF) \cdot (1 - vbc / VAF)$
 $Ft = 1 / (2 \cdot \pi \cdot (tf / fa + VT \cdot N \cdot (cje + cjc \cdot (1 + Ic \cdot RC / (VT \cdot N)))) / Ic)$
 Guidelines Use data from the Ft vs. Ic graphs. If unavailable, use typical values from the tables. If the typical value is unavailable, use an average of the min and max values.

JFET graphs

Title **Id vs. Vgs**

Purpose This screen estimates the value of BETA, VTO, and RS.

Input Values for Vgs and Id.

Output Model values for BETA, VTO, and RS.

Equations $V_{gs} = R_S \cdot I_d - V_{TO} - \sqrt{I_d / \text{BETA}}$

Title **Gos vs. Id**

Purpose This screen estimates the value of LAMBDA.

Input Enter values for Gos and Id.

Output Model value for LAMBDA.

Equations $G_{os} = I_d \cdot \text{LAMBDA}$

Title **Crss vs. Vgs**

Purpose This screen estimates the value of CGD, PB, and FC.

Input Enter values for Crss and Vgs.

Conditions The value of Vds at which the capacitance was measured.

Output Model values for CGD, PB, FC.

Equations
$$\begin{aligned} \text{Crss} &= \text{CGD} / (1 - (V_{ds} - V_{gs}) / \text{PB})^{-5} && \{(V_{ds} - V_{gs}) < \text{FC} \cdot \text{PB}\} \\ \text{Crss} &= \text{CGD} / (1 - \text{FC})^{1.5} \cdot (1 - \text{FC} \cdot 1.5 + .5 \cdot (V_{ds} - V_{gs}) / \text{PB}) && \{(V_{ds} - V_{gs}) \geq \text{FC} \cdot \text{PB}\} \end{aligned}$$

Title **Ciss vs. Vgs**

Purpose This screen estimates the value of CGS.

Input Enter values for Ciss and Vgs.

Conditions The value of Vds at which the capacitance was measured.

Output Model value for CGS.

Equations
$$\begin{aligned} \text{Ciss} &= \text{Crss} + \text{CGS} / (1 - V_{gs} / \text{PB})^{-5} && \{V_{gs} < \text{FC} \cdot \text{PB}\} \\ \text{Ciss} &= \text{Crss} + \text{CGS} / (1 - \text{FC})^{1.5} \cdot (1 - \text{FC} \cdot 1.5 + .5 \cdot V_{gs} / \text{PB}) && \{V_{gs} \geq \text{FC} \cdot \text{PB}\} \end{aligned}$$

Title **Noise**

Purpose This screen estimates the value of KF and AF.

Input Enter the values of En and frequency.

Conditions The value of Ids at which the measurement is made.

Output Model values for KF and AF.

Equations
$$\begin{aligned} v_{gs} &= V_{TO} + I_d \cdot R_S + \sqrt{I_d / \text{BETA}} \\ g_m &= 2.0 \cdot \text{BETA} \cdot (v_{gs} - V_{TO}) \\ E_n &= \sqrt{(8 \cdot k \cdot T \cdot g_m) / 3 + (KF \cdot I_d^{AF}) / \text{freq}} / g_m \end{aligned}$$

MOSFET graphs

All voltage and current values are entered as positive quantities for N-channel devices and negative quantities for P-channel devices.

Title **Transconductance vs. Ids graph**

Purpose This screen estimates KP, W, L, VTO, and RS.

Input One or more pairs of Gfs and Ids values.

Output Model values KP, RS, W, VTO, L.

Equations $\beta = KP \cdot W/L$
 $t1 = (2 \cdot Ids \cdot \beta)^{1/2}$
 $Gfs = t1 / (1 + RS \cdot t1)$

Guidelines Use data from the Gfs vs. Id curves. If unavailable, use typical values from the specification tables. Use data points from the highest current values to get the most accurate value of RS.

Title **Static drain-source on resistance vs. Drain current**

Purpose This screen estimates RD from the Ron vs. Id curves.

Input One or more pairs of Ron and Id values.

Conditions The value of Vgs.

Output Model value for RD.

Equations $\beta = KP \cdot W/L$
 $vgst = Vgs - VTO - Id \cdot RS$
 $vds = vgst - (vgst^2 - 2 \cdot Id \cdot \beta)^{1/2}$
 $RON = RD + RS + 1/(\beta \cdot (vgst - vds))$

Guidelines Use data from the Ron vs. Id curves. If unavailable, use typical values from the tables. Use low current values for the best results.

Title **Output Characteristic Curves**

Purpose This screen estimates all of the principal model values except the capacitance values. It uses the already estimated values of W, VTO, RD, RS, LAMBDA, KP, and L as an estimate and optimizes the fit of the characteristic Id vs Vds curves to the user data points.

Input Triplets of Ids, Vds, and Vgs values.

Output Model values for W, VTO, RD, RS, LAMBDA, KP, and L. KP and L are not optimized but are used in the calculation.

Equations $Ids = 0$ $Vgs < VTO$
 $Ids = (KP \cdot W/L) \cdot (Vgs - VTO - .5 \cdot Vds) \cdot Vds \cdot (1 + LAMBDA \cdot Vds)$ $Vgs - Vth > Vds$
 $Ids = (.5 \cdot KP \cdot W/L) \cdot (Vgs - VTO)^2 \cdot (1 + LAMBDA \cdot Vds)$ $Vgs - Vth < Vds$

Guidelines If the previous screens have been used, do not initialize before optimizing. Otherwise, use the initialize option prior to optimizing. If the Output Characteristic Curves are not available, skip this screen and use the model values from the prior screens.

Title Idss vs Vds

Purpose This screen estimates RDS, the fixed resistor connected from drain to source. It models the drain-source leakage.

Input One pair of Idss and Vds values.

Output Model value for RDS.

Equations RDS=Vds/Idss

Guidelines Use data from the specification tables or from the graphs.

Title Cds vs Vds

Purpose This screen estimates the values of CBD, PB, FC, and MJ.

Input The values of Ciss, Coss, and Crss.

Output Model values for CBD, PB, FC, and MJ.

Equations Cds= CBD / (1-Vds/PB)^{MJ}

Guidelines Use data from the specification tables or from the graphs.

Title Vgs vs Qg

Purpose This screen estimates the values of CGSO and CGDO.

Input Enter Q1 and Q2. Q1 is the gate charge at the first breakpoint in the graph. Q2 is the gate charge at the second breakpoint.

Conditions The values of VDS(or VDD) and ID for the measurement.

Output Model values for CGSO and CGDO.

Equations The program runs a circuit simulation and measures Vgs and Qgs.

Guidelines Use data from the specification tables or from the graphs.

Title Gate Resistance

Purpose This screen estimates the value of RG, the gate resistance.

Input Enter the value of Tf, the 90% to 10% fall time.

Conditions The values of VDD and ID at which the measurement is made.

Output Model value for RG.

Equations The program runs a circuit simulation, measures the fall time and adjusts RG to fit the specified value of Tf.

Guidelines Use data from the specification tables or from the graphs.

Opamp graphs

Title **Screen 1**

Purpose This screen provides for direct entry of the model parameters from the data sheets. The parameters are:

LEVEL :Model level (1,2,3). Always use level 3.
TYPE :1=NPN, 2=PNP, 3=NJFET input
C :Compensation capacitor
A :DC open-loop voltage gain
ROUTAC :AC output resistance
ROUTDC :DC output resistance
VOFF :Offset voltage

Input Values for LEVEL, TYPE, C, A, ROUTAC, ROUTDC, and VOFF.

Output Values for LEVEL, TYPE, C, A, ROUTAC, ROUTDC, and VOFF.

Title **Screen 2**

Purpose This screen provides for direct entry of the model parameters from the data sheets. The parameters are:

IOFF :Input offset current
SRP :Positive slew rate (V/Sec)
SRN :Negative slew rate (V/Sec)
IBIAS :Input bias current
VEE :Negative power supply
VCC :Positive power supply
VPS :Positive voltage swing

Input Values for IOFF, SRP, SRN, IBIAS, VEE, VCC, and VPS.

Output Values for IOFF, SRP, SRN, IBIAS, VEE, VCC, and VPS.

Title **Screen 3**

Purpose This screen provides for direct entry of the model parameters from the data sheets. The parameters are:

VNS :Negative voltage swing
CMRR :Common mode rejection ratio
GBW :Gain bandwidth
PM :Phase margin
PD :Power dissipation
IOSC :Output short-circuit current

Input Values for VNS, CMRR, GBW, PM, PD, and IOSC.

Output Values for VNS, CMRR, GBW, PM, PD, and IOSC.

Core graph

Title **Core B-H**

Purpose This screen estimates the nonlinear magnetic core model values MS, A, C, and K. Model values for Area, Path, and Gap are entered directly from the data sheet table.

Input Triplets of H, B, and Region values.

Output Model values for MS, A, C, and K.

Equations Jiles-Atherton state equations.

Guidelines Enter the data from the B-H graph in one of two ways:

Units	B	H
CGS	Gauss	Oersteds
SI	Teslas	Amps/Meter

The default is CGS units of Oersteds/Gauss. You can toggle between the two units with the Change Core Units command (CTRL + U) on the Model menu.

The BH Region value is 1, 2, or 3:

Region	Value	Otherwise known as:
H = 0 to Hmax	1.0	Initial permeability curve
H = Hmax to - Hmax	2.0	Top B-H curve
H = - Hmax to Hmax	3.0	Bottom B-H curve

If the Initial permeability curve is unavailable, skip it and enter values for regions 2 and 3. For the best results, enter an equal number of data points for each region. Sometimes only the top part of the B-H curve is given. In this case, select an equal number of data points from each of the given parts of the three regions.

Enter the data for each core material first. Once a particular material is modeled, copy the part and use the copy as a template to model parts that use the same material, but have different values of Area, Path, or Gap. This avoids duplication of the same B-H curve.

What's in this chapter

This chapter describes the IBIS translator.

The principal topics described in this chapter include:

- What is IBIS?
- The IBIS translator
- An IBIS example file

Features new in Micro-Cap 9

- New IBIS components simplify creating IBIS part models, by invoking the IBIS translator automatically and storing the subcircuit model generated by it in your circuit.

What is IBIS?

IBIS is an acronym for Input Output Buffer Information Specification. It is a method of describing device characteristics at the input/output level without having to describe the possibly proprietary circuitry that produce the characteristics. It can be thought of as a kind of behavioral modeling specification suitable for transmission line simulation of digital systems and applicable to most digital components.

Most simulators cannot use the IBIS file directly. It must be translated into a usable model language. Typically the conversion is done to a SPICE-compatible syntax.

Micro-Cap provides such a tool. It translates the IBIS files into a usable SPICE model that can be used by Micro-Cap and any other compatible simulator.

The IBIS translator

To illustrate the usage of the IBIS translator, from the **File** menu select the **Translate / IBIS To SPICE File**. This presents the IBIS translator dialog box.
File Names:

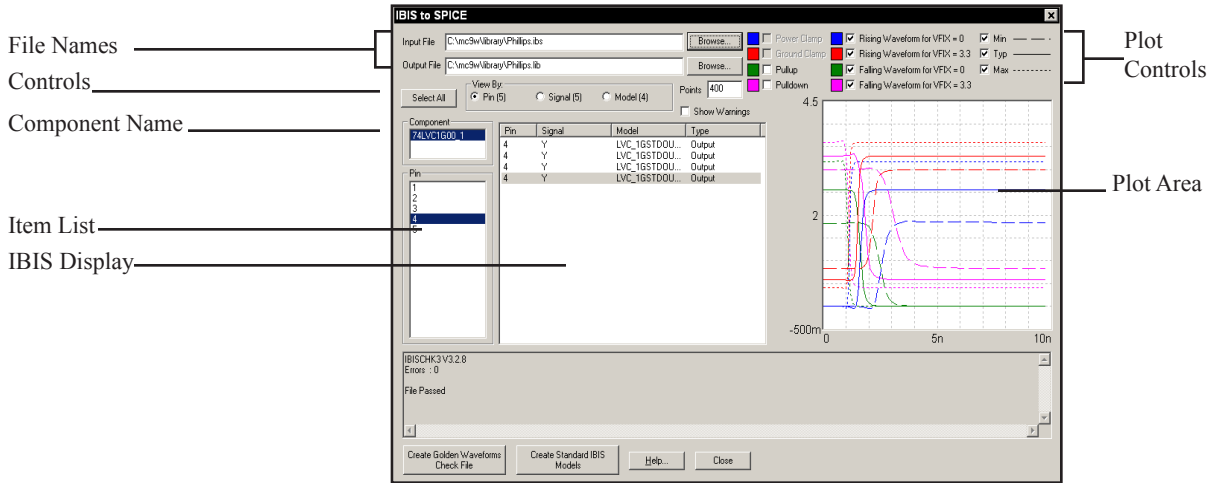


Figure 28-1 The IBIS Translator

Input File: This field specifies the input file name. The file should have an IBIS extension (IBS). The Browse button can be used to browse the library or other folders for IBIS input files.

Output File: This field specifies the output file name. It is usually assigned a LIB extension to indicate its use as a library file, although it also contains SPICE code for plotting the translated buffer models.

Controls:

Select All: This selects all pins for display and model creation.

View By: This determines whether pin, signal, or model names are displayed in the Item List.

Show Warnings: When the translator reads an IBIS file, it is automatically sent through the "Golden Parser". This piece of code was developed by the IBIS committee to check IBIS files for conformity to the standard and to identify common format errors. If the parser finds an error, it will print a suitable message in the Message Box. If the parser issues a warning, this

check box determines whether it will be printed in the Message Box.

Points: This determines the number of data points the translator uses in the PWL tables to match the "Golden Waveforms". Usually 500 is suitable.

Component:

This selects one of the component names in the file. Typically there is only one component per file.

Item List (Pins or Signals or Models):

This shows either the pin, signal, or model names depending upon the View By setting. Selecting one or more of the items in this list displays them in the IBIS Display.

Plot Controls:

Power Clamp: This causes the plot area to show the IV plot of the power clamp for the selected pin. If the file does not contain a [POWER Clamp] statement for the pin, this option is disabled.

Ground Clamp: This causes the plot area to show the IV plot of the ground clamp for the selected pin. If the file does not contain a [GND Clamp] statement for the pin, this option is disabled.

Pullup: This causes the plot area to show the IV plot of the pullup device for the selected pin. If the file does not contain a [Pullup] statement for the pin, this option is disabled.

Pulldown: This causes the plot area to show the IV plot of the pulldown device for the selected pin. If the file does not contain a [Pulldown] statement for the pin, this option is disabled.

Rising Waveform ($V_{fixture}$): This causes the plot area to show a plot of the rising waveform for the selected pin. If the file does not contain a [Rising Waveform] statement for the pin, this option is disabled. $V_{fixture}$ shows the voltage attached to the output through an $R_{fixture}$ resistance when the measurement was made. There are usually two curves, one for $V_{fixture}=0$ and one for $V_{fixture} = VCC$.

Falling Waveform ($V_{fixture}$): This causes the plot area to show a plot of the falling waveform for the selected pin. If the file does not contain a [Falling Waveform] statement for the pin, this option is disabled. $V_{fixture}$

shows the voltage attached to the output through an $R_{fixture}$ resistance when the measurement was made. There are usually two curves, one for $V_{fixture}=0$ and one for $V_{fixture} = VCC$.

Min: This shows the minimum version of the selected plot.

Typical: This shows the typical version of the selected plot.

Max: This shows the maximum version of the selected plot.

Plot Area:

This is where the IBIS file IV curves or waveforms are displayed.

Command Buttons:

Create Golden Waveforms Check File: This creates a text file with output models for the selected model names *loaded with the specified output test fixture components (RFIX, CFIX, LFIX, VFIX, etc.)*. It also creates sources for driving the buffers to show compliance with the Golden Waveforms. It creates one buffer model for each unique output pin for the minimum, typical, and maximum cases and for each of these for high $v_{fixture}$ and low $v_{fixture}$. Up to six buffer models may be created for each unique output type device. If you run transient analysis on the *.LIB file that is created, you can see for the first unique output type buffer model the following waveforms:

- 1) The input pulse waveform.
- 2) The expected Golden Waveform from the original IBIS file.
- 3) The actual buffer model waveform created by the buffer model.

The Golden Waveforms and the model waveforms should agree very closely. Other buffer plots are included but disabled. You can enable any of these with a plot number.

Create Standard IBIS Models: This button creates a text file containing the standard buffer models for the selected model names, *loaded with the specified output parasitics (RPIN, LPIN, CPIN, etc.)*. It also creates input pin models. If you run transient analysis on the *.LIB file that is created, you can see for the first output type buffer model the following waveforms:

- 1) An input test pulse waveform.
- 2) The output buffer model response to the input waveform.

The Standard Model file is the one you would typically use for system testing.

An example of IBIS file translation

From the File menu select the **Translate / IBIS to SPICE File** option. This loads the IBIS Translator. Click on the Input File Browse button and select the INTEL.IBS file from the folder. This is an IBIS model for the Intel 21555 part. The display should look like this:

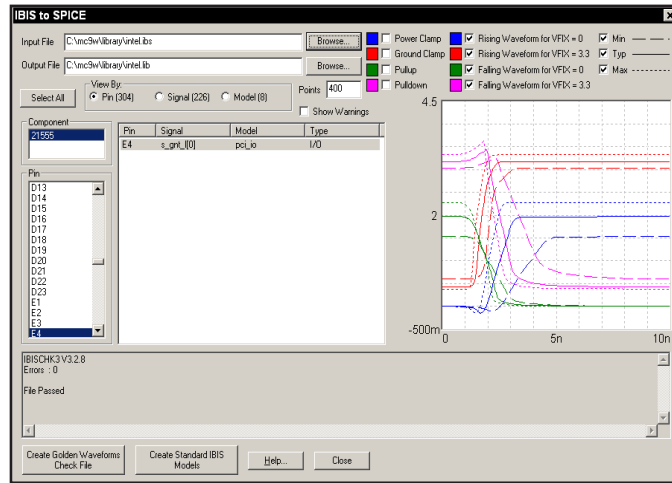


Figure 28-2 IBIS sample file

When you first load the file, the translator reads the file, parses it, and presents any errors or warnings in the Message Box area. In this case there were no errors. The translator then scans the file for a model that has rising and falling waveforms and displays one of the pins that uses that model.

Click on the Select All button. Then click on the Create Golden Waveforms Check File button. This creates a file called INTEL.LIB. Click on the Close button. The INTEL.LIB contains these twelve models:

- * PB4_TYP_LOWVFIX
- * PB4_TYP_HIGHVFIX
- * PB4_MIN_LOWVFIX
- * PB4_MIN_HIGHVFIX
- * PB4_MAX_LOWVFIX
- * PB4_MAX_HIGHVFIX
- * PCI_IO_TYP_LOWVFIX
- * PCI_IO_TYP_HIGHVFIX
- * PCI_IO_MIN_LOWVFIX

- * PCI_IO_MIN_HIGHVFIX
- * PCI_IO_MAX_LOWVFIX
- * PCI_IO_MAX_HIGHVFIX

There are two output models in this file, PCI_IO and PB4. For each of these two basic models, there are minimum, typical, and maximum models and for each of these there are cases for high v_fixture and low v_fixture. Altogether we have:

Total models = 2 output models * 3 (min, typ, max) cases * 2 V_Fixture cases.
 Total models = 12

These are the Golden Waveform check models. The only purpose in creating this file is to run transient analysis and confirm that the actual waveforms agree with the specified "Golden Waveforms".

Run transient analysis. This is what you will see:

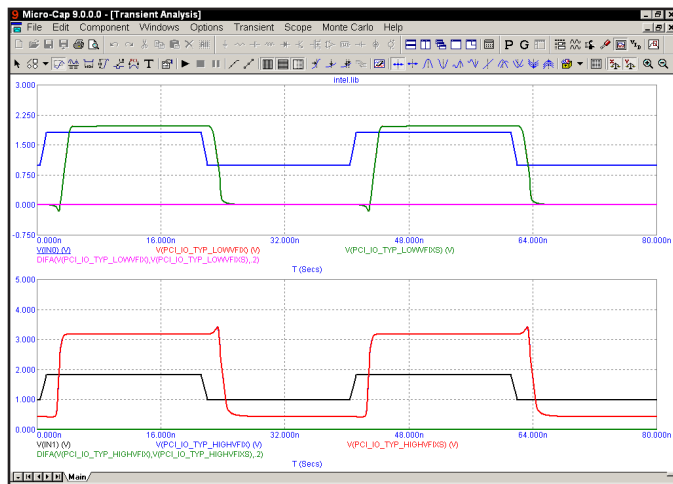


Figure 28-3 Sample Golden Waveforms plots

The translator has set up the plots for the input waveform, the buffer output, and the golden waveform for two cases:

- PB4_TYP_LOWVFIX
- PB4_TYP_HIGHVFIX

You can see that the actual and expected (golden) waveforms are very nearly identical.

The translator creates plots for all of the output model combinations, but enables (provides a plot group number for) only the first two. You can enable any of the other plots by entering a plot group number in the P column of the waveform. All of the plots generate numeric output which can be separately checked.

Press F3 to exit the analysis. Press CTRL + SHIFT + I to invoke the IBIS translator again. The INTEL.IBS file will still be loaded. Click the Select All button. Then click on the Create Standard IBIS Models button. This creates a file called INTEL.LIB. Click on the Close button. The INTEL.LIB contains 672 models.

* Output Buffer Models:

- * PB4_J1_TYP
- * PB4_J1_MIN
- * PB4_J1_MAX
-
- * PCI_IO_Y7_MAX
- * PCI_IO_Y9_TYP
- * PCI_IO_Y9_MIN
- * PCI_IO_Y9_MAX

* Input Buffer Models:

- * PIU_H3_TYP
- * PIU_H3_MIN
- * PIU_H3_MAX
- ...
- * PCI_IN_U21_TYP
- * PCI_IN_U21_MIN
- * PCI_IN_U21_MAX

* Total: 672 Pin Models Created

Because each input and each output pin may drive or be driven by a unique circuit, the program created 3 models for each of the 224 input and output pins for a total of 672 models. There are 304 pins in this file; 224 input and output types and 80 pins (304 - 224) with power or gnd model names having no defined models.

Run transient analysis. Figure 28-4 shows what you will see.

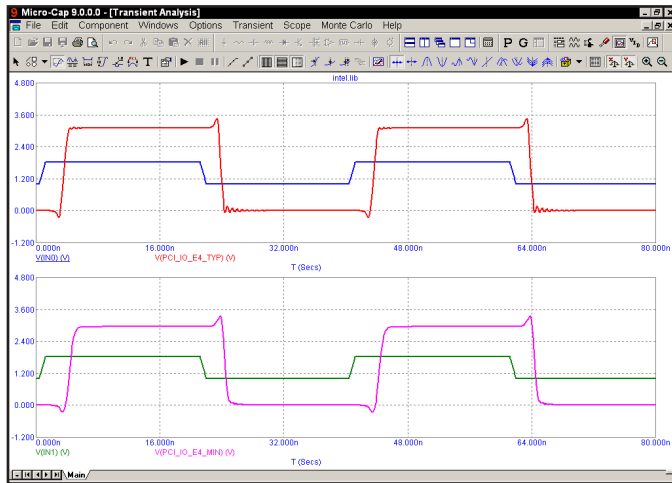


Figure 28-4 Sample standard output plots

The translator creates SPICE code for an input pulse driving a buffer model for each of the output model combinations and a .PRINT command to print the waveforms but enables plots for only the first two. As with the Golden Waveforms case, you can enable any of the other plots by entering a plot group number in the P column of the waveform. Each of the plots generate numeric output which can be separately checked.

Note that while the file contains hundreds of input and output models, only six are printed to the numeric output (press F5 to view it) and of these only the first two are plotted. This is just to illustrate how to create plots. In actual testing use, you would probably add one or more transmission line devices and perhaps other load elements as well to the output load. The plot commands are at the end of the text file.

What's in this chapter

MC9 provides a filter design function that lets you create filter circuits. You can select the filter type, response, and circuit implementation. MC9 will then create a schematic of the filter circuit for you. This chapter shows you how to use it.

There are two types of filter design available, active filter design and passive filter design. Both are accessible from the Design menu.

Features new in Micro-Cap 9

- Elliptic passive filters are now available.

How the active filter designer works

The MC9 active filter designer is selected from the Design menu. It lets you select the filter type, specifications, response, and circuit implementation, then creates the required filter circuit.

The basic filter types include:

- Low pass
- High pass
- Bandpass
- Notch
- Delay

The first four are defined by their Bode plot characteristics. Delay filters are characterized by the time delay specification.

The available filter responses include:

- Butterworth
- Chebyshev
- Bessel
- Elliptic
- Inverse-Chebyshev

Not all of these responses are available for every filter type. Bessel, for example, is available for delay filters only.

The implementations, or circuits, may be different for each stage and include:

- Sallen-Key
- MFB (Multiple Feedback)
- Tow-Thomas
- Fleischer-Tow
- KHN
- Acker-Mossberg
- Tow-Thomas 2
- DABP (Dual Amplifier Band Pass)

Not all of these circuits are available for all responses, since some of the circuits cannot achieve some responses. Available circuits range from three to eight.

The Active Filter dialog box

The active filter designer is located on the Design menu. Selecting this menu invokes the following dialog box:

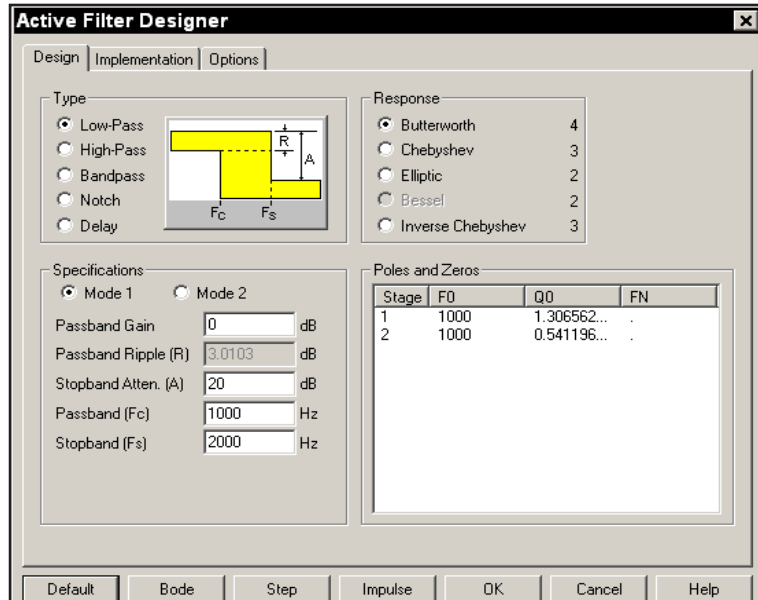


Figure 29-1 The Active Filter dialog box

This dialog box has three main panels, accessible by clicking on a named tab.

Design

This panel lets you pick the filter type, specifications, and the response characteristic. Each time you change one of these selections the number of stages, the pole location, Q value, and, depending upon the response type, the zeros of each stage are calculated and shown in the Poles and Zeros display. You can edit the F0 (pole frequency), Q0 (Q value), and FN (zero frequency) values to change the shape of the response.

Implementation

This panel lets you make the implementation decisions, including which circuit to use, which OPAMPs to use, and how to build the odd order stages.

Options

In this panel you choose the number of digits of precision to be used in the component values, what to plot, whether to create a macro or a circuit, and whether to use an existing circuit or a new one.

Design Panel: The main panel contains three sections:

Type: This section lets you select one of the five basic types of filters:

- Low-pass
- High-pass
- Bandpass
- Notch
- Delay

Response: This section lets you select the mathematical approximation to the ideal filter.

- Butterworth
- Chebyshev
- Bessel
- Elliptic
- Inverse Chebyshev

Different responses provide different design trade-offs. Butterworth filters require much more circuitry for a given specification, but have a flatter time delay response. Chebyshev and inverse Chebyshev responses require fewer stages, but have a more pronounced time delay variation. Elliptic responses require the fewest number of stages, but generate the greatest delay variation. Bessel filters are low pass filters with a very flat time delay curve and are really suitable only for delay types. The number of stages to implement the current design is shown to the right of each response.

Specifications: This is where you enter the numerical specifications of the filter. There are two ways to specify a filter, Mode 1 and Mode 2. In Mode 1, you specify the functional characteristics of the filter, like passband gain, cutoff frequency, stop frequency, and attenuation. You specify what you want and the program figures out the number of stages required to achieve it, using the specified response approximation. Mode 2, on the other hand, lets you directly specify the main design values and the number of stages directly.

Poles and Zeros: This section shows the numeric values of the poles, zeros, and Qs of the response polynomial. It essentially shows the mathematical design of the filter. When you make a change to the Type, Response, or Specifications fields, the program redesigns the polynomial coefficients and updates the numbers in this section. If Bode, Step, or Impulse buttons have been clicked, the program also redraws the plots. It may be a Bode plot with gain, phase, and group delay shown, or it may be just a delay plot, depending upon the selections in the Options panel.

The plots are idealized because they are based on a standard polynomial formula for the selected response and the calculated or edited F0, Q0, and QN values. The plots can only be achieved exactly with perfect components. The actual filter, made from real components, may behave differently. When the circuit is completed, you can run an analysis and see how well it fares. The actual circuit can be constructed from any opamp in the library ranging from ideal to ordinary and from resistors and capacitors that are either exact or chosen from a list of standard values. Real OPAMPs and approximate component values can have a profound effect on the response curves.

You can edit the values, to see their effect on the plot. You can even create your filter with modified values. Though this will not produce an ideal filter, the circuit created will approximate the plot shown. Note that editing any item in the Type, Response, or Specifications areas will cause the program to recalculate the values in the Poles and Zeros section, overwriting your edits.

The exact form of the approximating polynomials for each stage is shown below. Note that U is the complex frequency variable S, normalized to the specified FC.

Definitions

Symbol Definition

F	Frequency variable	
S	$J*2*PI*F$	Complex frequency
U	$S / (2*PI*FC) = J*F/FC$	Normalized complex frequency
F0	Pole location in Hz	
Q0	Q value	
FN	Zero location in Hz (Elliptic and inverse Chebyshev filters only)	

FC	Stopband frequency for low-pass filters. Passband frequency for high-pass filters. Center frequency for bandpass and notch filters. The specified center frequency may be changed slightly to produce a symmetrical band pass/reject region. The adjusted F0 can be seen in the define statement. For example, a Butterworth bandpass filter using the default center frequency of 1000, and bandwidth of 100, is actually designed with a center frequency of 998.75 Hz.	
FCI	Passband frequency for low-pass filters. Stopband frequency for high-pass filters. For bandpass and notch filters FCI = FC.	
W0	F0/FC	Normalized pole frequency
W0I	F0/FCI	Inverse Chebyshev normalized pole frequency
WN	FN/FC	Normalized zero frequency
WNI	FN/FCI	Inverse Chebyshev normalized zero frequency

Low Pass and Delay

Butterworth	$F(U) = 1 / (U^2 + U/Q0 + 1)$
Chebyshev	$F(U) = 1 / (U^2 + U*W0/Q0 + W0^2)$
Elliptic	$F(U) = (U^2 + WN^2) / (U^2 + U*W0/Q0 + W0^2)$
Inv. Chebyshev	$F(U) = (U^2 + WNI^2) / (U^2 + U*W0I/Q0 + W0I^2)$

High Pass

Butterworth	$F(U) = U^2 / (U^2 + U/Q0 + 1)$
Chebyshev	$F(U) = U^2 / (U^2 + U/(W0*Q0) + 1/W0^2)$
Elliptic	$F(U) = (U^2 + WN^2) / (U^2 + U/(W0*Q0) + 1/W0^2)$
Inv. Chebyshev	$F(U) = (U^2 + WNI^2) / (U^2 + U/(W0I*Q0) + 1/W0I^2)$

Bandpass

Butterworth	$F(U) = U / (U^2 + U/(W0*Q0) + 1/W0^2)$
Chebyshev	$F(U) = U / (U^2 + U/(W0*Q0) + 1/W0^2)$
Elliptic	$F(U) = (U^2 + WN^2) / (U^2 + U/(W0*Q0) + 1/W0^2)$
Inv. Chebyshev	$F(U) = (U^2 + WNI^2) / (U^2 + U/(W0I*Q0) + 1/W0I^2)$

Notch

Butterworth	$F(U) = (U^2 + 1) / (U^2 + U/(W0*Q0) + 1/W0^2)$
Chebyshev	$F(U) = (U^2 + 1) / (U^2 + U/(W0*Q0) + 1/W0^2)$
Elliptic	$F(U) = (U^2 + WN^2) / (U^2 + U/(W0*Q0) + 1/W0^2)$
Inv. Chebyshev	$F(U) = (U^2 + WNI^2) / (U^2 + U/(W0I*Q0) + 1/W0I^2)$

Implementation Panel: This panel lets you decide how to build or implement the filter design. It has several major sections:

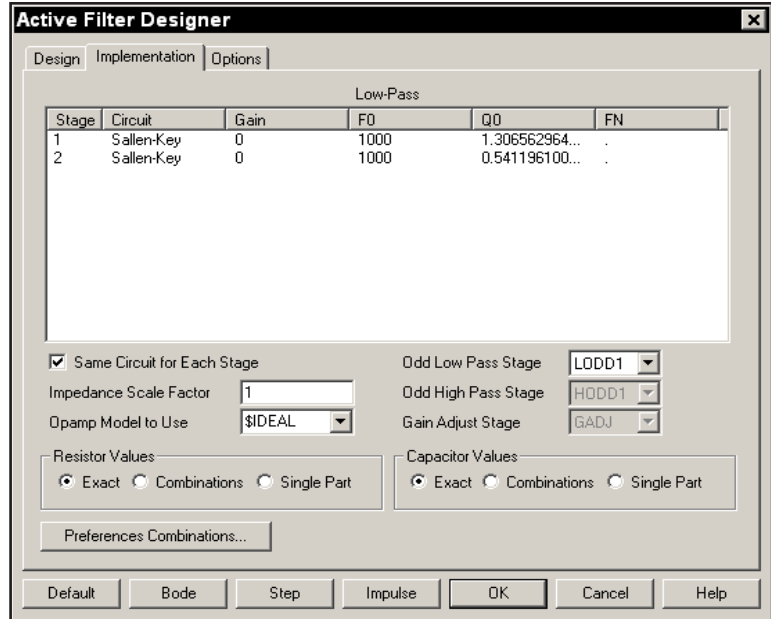


Figure 29-2 The Implementation panel

Stage Values: This section lets you specify, *stage by stage*, the type of circuitry to use and the gain to allocate to each stage. You edit the poles, Q's, and zeros, by stage. You can swap the pole/Q sets with other stages by clicking in the F0 or Q0 fields with the *right* mouse button. A pop-up menu lets you select another row to interchange F0/Q sets with in case you may need to optimize signal swing and noise sensitivity. Some implementations can handle larger swings and are less noise sensitive. The zeros are fixed and can't be swapped.

To change the stage, click the *left* mouse button in the Circuit column at the row where you wish to change the stage. This will display a list of the available circuit implementations for the selected filter type and response. This list will have a maximum of eight circuits, but may have as little as three circuits, since not all circuits types can realize the requisite transfer function.

When the filter circuit is created, the stages are added and numbered from one on the left to N on the right. The input is always on the left and the output or last stage is always on the right.

Same Circuit for Each Stage: This option forces all stages to use the same circuit. When disabled, you can specify different circuits for each stage.

Impedance Scale Factor: This option lets you specify a scale factor to apply to all passive component values. The factor multiplies all resistor values and divides all capacitor values. It does not change the shape of the response curve, but shifts component values to more suitable or practical values.

Opamp Model to Use: By default, the model is set to \$IDEAL. This model is a voltage controlled current source with a small output resistance. It has a very large gain, infinite bandwidth, and no leakage. Its main purpose is to demonstrate how the filter will behave with a nearly perfect device. You can select a different model from the list. It contains hundreds of popular OPAMP models. Vendor supplied OPAMP subcircuit models are not included in the list.

Resistor Values: This option determines how resistor values are chosen. You can choose to create the circuit using the *exact* computed values, or *single* values or *series / parallel combinations* of values chosen from a list of standard parts. There are several lists of standard parts, and you can add to them or make new lists for special requirements. See the section on Component lists in this chapter.

Capacitor Values: This option determines how the capacitor values are chosen. It works as described in the Resistor Values section.

Preferences Combinations: This button lets you select options for Single Part and Combinations, including the standard part files to use.

Odd Low Pass Stage: This option lets you select the last stage to use for low pass filters. There are several different kinds. LODD1 is a simple RC filter. LODD2 is an RC filter, buffered with a non-inverting unity-gain amplifier. LODD3 is an RC filter, buffered with an inverting unity-gain amplifier.

Odd High Pass Stage: This option lets you select the last stage to use for high pass filters. There are three choices. HODD1 is a simple RC filter. HODD2 is an RC filter, buffered with a non-inverting unity-gain amplifier. HODD3 is an RC filter, buffered with an inverting unity-gain amplifier.

Gain Adjust Stage: This option lets you select the stage to use when a gain adjustment is required. There are two choices. NULL adds no stage, which means the gain specification will be ignored. GADJ is a simple inverting amplifier.

Options Panel: This panel lets you set several options. It looks like this:

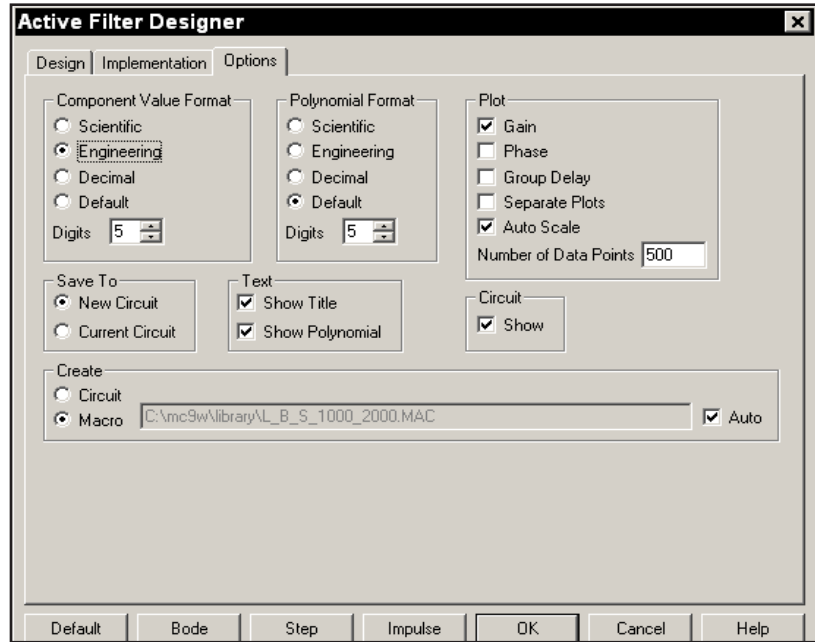


Figure 29-3 The Options panel

Component Value Format: This option lets you select whether the component values are to be specified in scientific, engineering, or default notation. You can also set the number of digits to use when specifying the value. These choices are mainly cosmetic, but for some very high order filters, increasing the number of digits from the default of 5 may be necessary to get an exactly correct Bode plot.

Polynomial Format: This option lets you select whether the polynomial coefficient values are to be specified in scientific, engineering, or default notation. It works the same way as the component values format. The polynomial values are used to define the transfer functions, LP, HP, BP, and BR. These functions are used in AC analysis to plot the ideal transfer function alongside the actual filter transfer function for comparison.

Plot: This option lets you select what to show in the Bode plot. You can select:

- **Gain**
- **Phase**
- **Group delay**
- **Separate plots**

These options affect several things.

First, it affects the Bode plot if the Bode button is clicked. This plot is simply a graph of the ideal complex frequency transfer function. It shows you how the circuit would perform if built from ideal components.

Second, if the Save To / New Circuit option is selected, it changes the AC analysis setup when the circuit is created. It sets up the analysis plot expressions so that you need only select AC analysis and press F2 to see an actual analysis of both the circuit and the ideal transfer function, plotting the variables selected under the Bode plot option.

- **Auto Scale**

When checked, this option automatically scales the plots.

- **Number of Data Points**

You can also set the number of data points to be calculated in the plot by editing this field. The internal plot and the AC analysis plot both use fixed log frequency steps rather than auto. This field determines how many data points will be plotted. The default of 500 is usually sufficient, but for very high order filters, you may need to increase the number of points to retain fidelity near steep band edges.

Save To: This option lets you select where the filter is placed.

- **New Circuit:** In this option the filter is placed in a new circuit.
- **Current Circuit:** In this option the filter is placed in the currently selected circuit.

Text: This lets you decide whether to include several optional pieces of text.

- **Show Title:** This is a self-documenting block of text formed as a title. It identifies the main specifications of the filter.
- **Show Polynomials:** The polynomial functions that comprise the design are available in a series of .DEFINE statements that can optionally be included with the circuit. This is sometimes handy as a reference. The polynomial function is a symbolic variable and can be plotted versus frequency as a standard against which the actual circuit output can be compared. The names of the polynomials are as follows:

Type	Symbolic Polynomial Name
Low Pass	LP
High Pass	HP
Bandpass	BP
Notch	BR
Delay	LP

Circuit:

- **Show:** When checked, this option shows the filter circuit in the background, responding to user changes to specifications.

Create: This option lets you select how the filter is created.

- **Circuit:** In this option the filter is created and placed into either a new circuit or the current circuit.
- **Macro:** In this option the filter is created as a macro and placed into either a new or a current circuit. The macro consists of a number of stages as in the Circuit option, except that they are contained in a macro circuit which is stored on disk. The macro component is entered into a separate component library file called FILTERS.CMP and is available for use by other circuits.

Buttons: There are several buttons at the bottom of the dialog box:

- **Default:** This restores the default values to all data fields and options.
- **Bode:** This shows a Bode plot of the chosen characteristic(s). These include gain, phase, and/or group delay, depending upon which of these items have been enabled from the Options panel. The plot is a graph of the ideal transfer function for the selected filter. It is not a plot of the actual transfer function that can be achieved with the chosen circuit(s). For that, you must run AC analysis on the completed circuit. If the specification mode is set to Mode 1, the plot includes a design polygon to show the allowed region for the curve, based upon the design specifications.

Here is a sample Bode plot showing the design polygon.

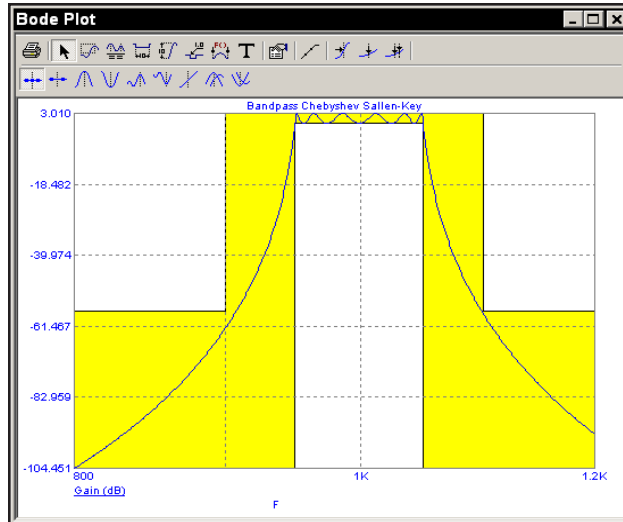


Figure 29-4 A plot of the filter characteristics

Step: This shows the response of the filter to a step change in the input voltage from 0V to 1V. Here is a sample Step plot.

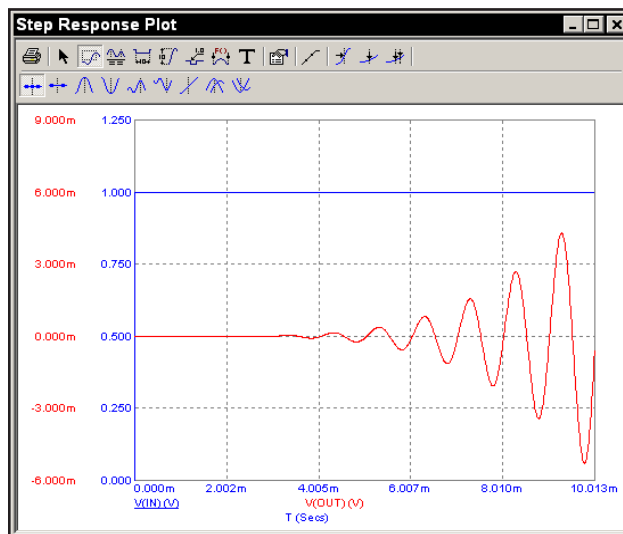


Figure 29-5 The Step response

Impulse: This shows the response of the filter to an impulse on the input. The impulse is a pulse from 0V to 1E9V and lasts 1E-9 seconds. Here is a sample Impulse plot.

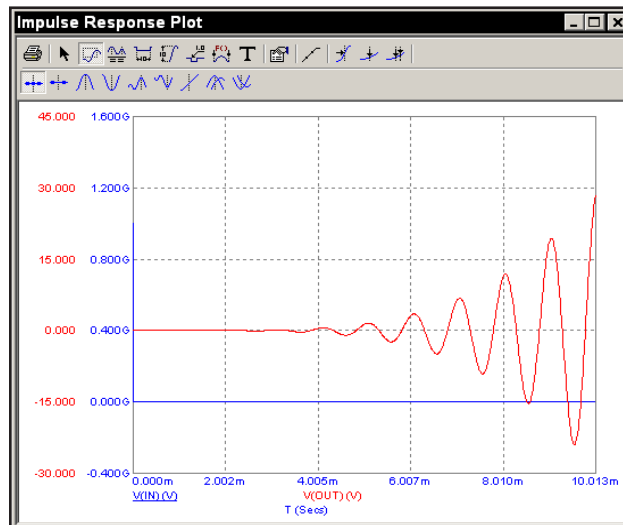


Figure 29-6 The Impulse response

OK: This option builds the circuit to meet the chosen design, using the specified circuits for each stage. If the New Circuit option is enabled, it also sets up the AC analysis dialog box to be ready to plot the circuit output and the theoretical transfer function output over a suitable frequency scale. If the specification mode is set to Mode 1, it adds a design polygon to show the allowed region for the curve, based upon the design specifications. It also sets up the transient analysis limits for a simulation of a step or impulse response. You can select one or the other by double-clicking on the animated switch at the filter input. After creating the filter circuit, the program exits the dialog box.

Cancel: This option exits the dialog box without saving any changes.

Help: This accesses the Help system.

Component lists

Circuits can be constructed from the exact values required to fit the specification exactly, or they can be constructed from nearest-fit values obtained from standard lists. The lists are kept in ASCII text files that use the extensions CAP for capacitors, IND for inductors (for passive filters), and RES for resistors. The format of these files is as follows:

TOLERANCE
<*tolerance*>[%]

DIGITS
<*digit 1*>
<*digit 2*>
...
<*digit n*>

MULTIPLIERS
<*multiplier 1*>
<*multiplier 2*>
...
<*multiplier m*>

ADD
<*value 1*>
<*value 2*>
...
<*value p*>

REMOVE
<*value 1*>
<*value 2*>
...
<*value q*>

The <*tolerance*> value is used when setting up the model statement for the components and affects only Monte Carlo analysis.

The program creates a list of acceptable values by forming all possible products of digits and multipliers, then adding any values found under the ADD keyword, and removing any values found under the REMOVE keyword.

For example:

TOLERANCE

1%

DIGITS

10

50

80

MULTIPLIERS

1

10

100

ADD

26

135

REMOVE

8000

In this example the program would first compile a tentative list from the DIGITS and MULTIPLIERS groups containing these elements:

10, 50, 80, 100, 500, 800, 1000, 5000, 8000

The program would then add the values 26 and 135 and remove the 8000 value to produce the final list:

10, 26, 50, 80, 100, 135, 500, 800, 1000, 5000

The list is constructed in this way to make specification of standard component values easier. Standard values frequently are created from a small list of values, multiplied by various powers of ten. There are often exceptions, usually at the high and low ends. DIGITS and MULTIPLIER keep the list specification concise, while ADD and REMOVE help with the exceptions. All keyword items are optional, so you could create a list using only the ADD elements.

Filter support files

The filter design program uses a file called FILTER.BIN, which is resident on the same directory as the MC9.EXE program file. It must not be removed, for it contains the generic circuit stages for each of the different circuit implementations used to build complete filter circuits. The filter program will be able to do only the mathematical portion of the design if this file is missing. That is, the program will not be able to create actual filter circuits without FILTER.BIN.

MC9 also saves your last used settings from the dialog box in the PASSIVE.FLT and ACTIVE.FLT files. These settings can be restored to the original default settings by clicking on the Default button at the bottom of the dialog box.

When you press OK, the program creates a circuit to implement the specified filter. It names it CIRCUIT2. Each subsequent circuit becomes CIRCUIT3, then CIRCUIT4, and so on. The circuits can be renamed when they are saved to disk.

Filter specification: mode 1

The active filter program uses two modes to define filter specifications, Mode 1, and Mode 2. Mode 1 includes the following:

Low Pass Filters:

Low pass filter specs are defined relative to the figure below:

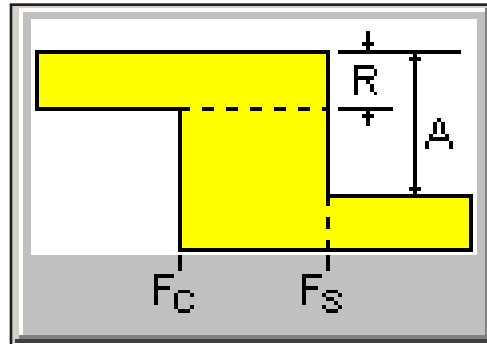


Figure 29-7 Low pass filter specifications

Passband Gain

This is the low frequency gain in dB.

Passband Ripple (R)

This is the variation in gain (in dB) across the passband.

Stopband Attenuation (A)

This is the maximum gain in dB in the passband minus the maximum gain in dB at the stopband. Attenuation is a positive number.

Passband Frequency (F_c)

Below F_c the gain is equal to the passband gain \pm ripple.

Stopband Frequency (F_s)

Above F_s the gain is less than or equal to the passband gain \pm ripple less the stopband attenuation.

For Chebyshev and elliptic filters the passband gain varies with the order of the filter as follows:

Order	Gain at DC	Gain at passband edge
Even	Passband Gain	Passband Gain + Ripple
Odd	Passband Gain	Passband Gain - Ripple

Butterworth and inverse-Chebyshev passband gain varies as follows:

Type	Gain at DC	Gain at passband edge
Butterworth	Passband Gain	Passband Gain - Ripple
Inverse-Chebyshev	Passband Gain	Passband Gain - Ripple

Inverse-Chebyshev filters meet the passband spec with margin and meet the stopband spec exactly, with no margin. Ideal realizations of the other filters do just the opposite. They meet the stopband spec with margin and meet the passband specs exactly, with no margin.

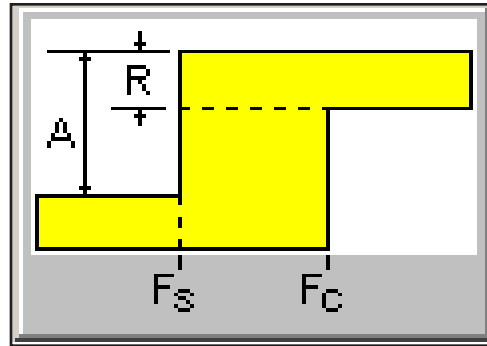


Figure 29-8 High pass filter specifications

High Pass Filters:

High pass filter specs are very similar to their low pass cousins and are defined relative to the figure above.

Passband Gain

This is the high frequency gain in dB.

Passband Ripple (R)

This is the variation in gain (in dB) across the passband.

Stopband Attenuation (A)

This is the maximum gain in dB in the passband minus the maximum gain in dB at the stopband. Attenuation is a positive number.

Passband Frequency (F_c)

Above F_c the gain is equal to the passband gain +/- ripple.

Stopband Frequency (F_s)

Below F_s the gain is less than or equal to the passband gain +/- ripple less the stopband attenuation.

For Chebyshev and elliptic filters the passband gain varies as follows:

Order	Gain at DC	Gain at passband edge
Even	Passband Gain	Passband Gain + Ripple
Odd	Passband Gain	Passband Gain - Ripple

Butterworth and inverse-Chebyshev passband gain varies as follows:

Type	Gain at DC	Gain at passband edge
Butterworth	Passband Gain	Passband Gain - Ripple
Inverse-Chebyshev	Passband Gain	Passband Gain - Ripple

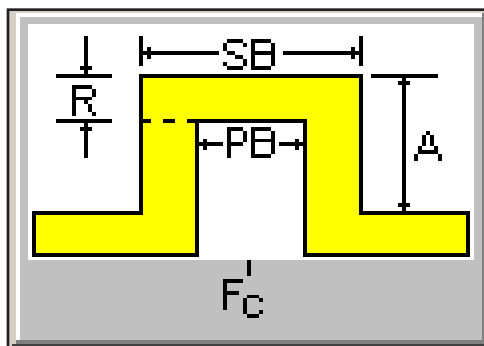


Figure 29-9 Bandpass filter specifications

Inverse-Chebyshev filters meet the passband spec with margin and meet the stopband spec exactly, with no margin. Ideal realizations of the other filters do just the opposite. They meet the stopband spec with margin and meet the passband specs exactly, with no margin.

Bandpass Filters:

Bandpass filter specs are defined relative to the figure above.

Passband Gain

This is the maximum gain in dB in the passband.

Passband Ripple (R)

This is the variation in gain in dB across the passband.

Stopband Attenuation (A)

This is the maximum gain in dB in the passband minus the maximum gain in dB at the stopband. Attenuation is a positive number.

Center Frequency (Fc)

This is the center frequency of the passband.

Passband (PB)

This is the band of frequencies where the filter gain is equal to the passband gain (plus or minus the ripple).

Stopband (SB)

This is the band of frequencies which includes the PB plus the two transition regions above and below the passband. It is also the frequency where the filter gain is larger than the total of passband gain + attenuation (plus or minus the ripple).

For Chebyshev and elliptic filters the passband gain varies with the order of the filter as follows:

Order	Gain at DC	Gain at passband edge
Even	Passband Gain	Passband Gain + Ripple
Odd	Passband Gain	Passband Gain - Ripple

Butterworth and inverse-Chebyshev passband gain varies as follows:

Type	Gain at DC	Gain at passband edge
Butterworth	Passband Gain	Passband Gain - Ripple
Inverse-Chebyshev	Passband Gain	Passband Gain - Ripple

Inverse-Chebyshev filters meet the passband spec with margin and meet the stopband spec exactly, with no margin. Ideal realizations of the other filters do just the opposite. They meet the stopband spec with margin and meet the passband specs exactly, with no margin.

Notch Filters:

Notch or band reject filter specs are defined relative to the figure below:

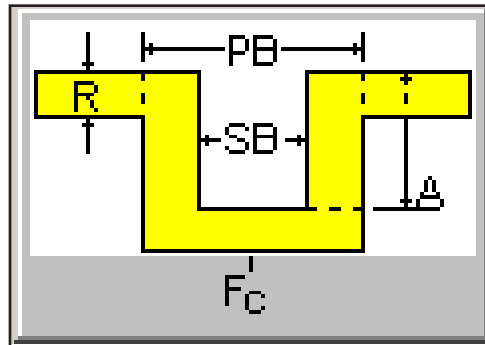


Figure 29-10 Notch filter specifications

Passband Gain

This is the maximum gain in dB outside the passband.

Passband Ripple (R)

This is the variation in gain (in dB) outside the passband.

Stopband Attenuation (A)

This is the maximum gain in dB outside the passband minus the maximum gain in dB in the stopband. Attenuation is a positive number.

Center Frequency (Fc)

This is the center frequency of the stopband.

Passband (PB)

This is the band of frequencies which includes the SB plus the two transition regions above and below the stopband.

Stopband (SB)

This is the band of frequencies where the filter gain is smaller than the total of passband gain minus stopband attenuation (A), plus or minus the ripple.

For Chebyshev and elliptic filters the passband gain varies with the order of the filter as follows:

Order	Gain at DC	Gain at passband edge
Even	Passband Gain	Passband Gain + Ripple
Odd	Passband Gain	Passband Gain - Ripple

Butterworth and inverse-Chebyshev passband gain varies as follows:

Type	Gain at DC	Gain at passband edge
Butterworth	Passband Gain	Passband Gain - Ripple
Inverse-Chebyshev	Passband Gain	Passband Gain - Ripple

Inverse-Chebyshev filters meet the passband spec with margin and meet the stopband spec exactly, with no margin. Ideal realizations of the other filters do just the opposite. They meet the stopband spec with margin and meet the passband specs exactly, with no margin.

Filter specification: mode 2

Mode 2 formats allow direct specification of the filter order. Its formats are as follows:

Low (High) Pass Filters:

Gain

This is the low (high) frequency gain in dB.

Passband Frequency

This is the frequency below (above) which the gain is equal to Gain.

Ripple

This is the variation in gain (in dB) across the passband.

Order

This is the filter order.

Bandpass and Notch Filters:

Gain

This is the center frequency gain in dB (bandpass) or the low / high frequency gain in dB (notch).

Center Frequency

This is the frequency at which the maximum (bandpass) or minimum (notch) gain is achieved.

Ripple

This is the variation in gain in dB across the passband (bandpass) or outside the passband (notch).

Order

This is the filter order.

Q

This is the filter Q factor. Q is a measure of the resonance near the center frequency.

Delay Filters:

Gain

This is the low frequency gain in dB.

Order

The filter order is fixed at 3.

Delay

This is the filter delay in seconds.

How the passive filter designer works

The passive filter design function operates in a manner similar to the active filter function. It is selected from the Design menu. Like its active filter counterpart, it lets you select the filter type, specifications, response, and circuit implementation, then creates the required filter circuit.

The basic filter types include:

- Low pass
- High pass
- Bandpass
- Notch

The filter responses include:

- Butterworth
- Chebyshev
- Elliptic

The implementations are of two types:

- Standard
- Dual

The Passive Filter dialog box

The passive filter design function is accessed from the Design menu. Selecting it invokes the following dialog box:

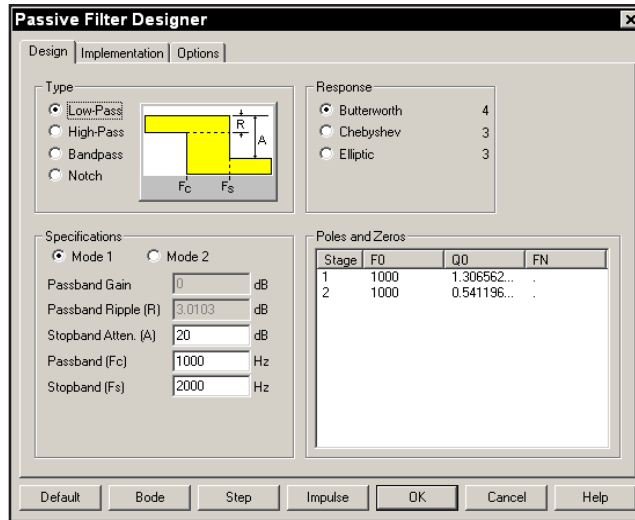


Figure 29-11 The passive filter design panel

This dialog box has three main panels, accessible by clicking on a named tab.

Design

This panel lets you pick the filter type, specifications, and the response characteristic. Each time you change one of these selections, the number of stages, the pole location, and the Q value change as shown in the Poles and Zeros display. You can edit the F0 (pole frequency) and Q0 (Q value) values to change the shape of the response.

Implementation

This panel lets you make the implementation decisions, including which circuit to use, whether to use exact passive component values or to select them from specified lists, whether to scale the values or not, and the source and load resistances.

Options

In this panel you choose the number of digits of precision to be used in the component values, what to plot, whether to create a macro or a circuit, and whether to use an existing circuit or a new one.

Design Panel

The main panel contains three sections:

Type: This section lets you select one of the filter types:

- Low-pass
- High-pass
- Bandpass
- Notch

Response: This section lets you select the mathematical approximation to the ideal filter.

- Butterworth
- Chebyshev
- Elliptic

Different responses provide different design trade-offs. Butterworth filters require much more circuitry for a given specification, but have a flatter time delay response. Chebyshev responses require fewer stages, but have a more pronounced time delay variation. The number of stages to implement the current design is shown to the right of each response.

Specifications: This is where you enter the numerical specifications of the filter. There are two ways to specify a filter, Mode 1 and Mode 2. In Mode 1, you specify the functional characteristics of the filter, like passband gain, cutoff frequency, stop frequency, and attenuation. You specify what you want and the program figures out the number of stages required to achieve it, using the specified response approximation. Mode 2, on the other hand, lets you directly specify the main design values and the number of stages.

Poles and Zeros: This section shows the numeric values of the poles and Qs of the response polynomial. It essentially shows the mathematical design of the filter. When you make a change to the Type, Response, or Specifications fields, the program redesigns the polynomial coefficients and updates the numbers in this section. If plots have been selected, the program redraws them.

Plots are idealized because they are based on a standard polynomial formula for the selected response and the calculated or edited F0 and Q0 values. The plots can only be achieved exactly with perfect components. The actual filter, made from real components, may behave differently. When the circuit is completed,

you can run an analysis and see how it behaves. The actual circuit can be constructed from a finite list of standard inductors and capacitors. Approximate component values can have a big effect on the response curves.

You can edit the values, to see their effect on the plot. You can even create your filter with modified values. Though this will not produce an ideal filter, the circuit created will approximate the plot shown. Note that editing any item in the Type, Response, or Specifications areas will cause the program to recalculate the values, overwriting your edits.

The exact form of the approximating polynomials for each stage is shown below. Note that U is the complex frequency variable S , normalized to the specified FC .

Definitions

Symbol Definition

F	Frequency variable	
S	$J*2*PI*F$	Complex frequency
U	$S / (2*PI*FC) = J*F/FC$	Normalized complex frequency
$F0$	Pole location in Hz	
$Q0$	Q value	
FC	Stopband frequency for low-pass filters. Passband frequency for high-pass filters. Center frequency for bandpass and notch filters. Note that the specified center frequency may be changed slightly by the program to produce a symmetrical band pass/reject region. The adjusted $F0$ can be seen in the define statement. For example, a Butterworth bandpass filter using the default center frequency of 1000, and bandwidth of 100, is actually designed with a center frequency of 998.75 Hz.	
$W0$	$F0/FC$	Normalized pole frequency

Low Pass Transfer Functions

Butterworth $F(U) = 1 / (U^2 + U/Q_0 + 1)$

Chebyshev $F(U) = 1 / (U^2 + U*W_0/Q_0 + W_0^2)$

Elliptic $F(U) = (U^2 + W_N^2) / (U^2 + U*W_0/Q_0 + W_0^2)$

High Pass Transfer Functions

Butterworth $F(U) = U^2 / (U^2 + U/Q_0 + 1)$

Chebyshev $F(U) = U^2 / (U^2 + U/(W_0*Q_0) + 1/W_0^2)$

Elliptic $F(U) = (U^2 + W_N^2) / (U^2 + U/(W_0*Q_0) + 1/W_0^2)$

Bandpass Transfer Functions

Butterworth $F(U) = U / (U^2 + U/(W_0*Q_0) + 1/W_0^2)$

Chebyshev $F(U) = U / (U^2 + U/(W_0*Q_0) + 1/W_0^2)$

Elliptic $F(U) = (U^2 + W_N^2) / (U^2 + U/(W_0*Q_0) + 1/W_0^2)$

Notch Transfer Functions

Butterworth $F(U) = (U^2 + 1) / (U^2 + U/(W_0*Q_0) + 1/W_0^2)$

Chebyshev $F(U) = (U^2 + 1) / (U^2 + U/(W_0*Q_0) + 1/W_0^2)$

Elliptic $F(U) = (U^2 + W_N^2) / (U^2 + U/(W_0*Q_0) + 1/W_0^2)$

Elliptic $F(U) = (U^2 + W_N^2) / (U^2 + U/(W_0*Q_0) + 1/W_0^2)$

Inv. Chebyshev $F(U) = (U^2 + W_N I^2) / (U^2 + U/(W_0 I^2 * Q_0) + 1/W_0 I^2)$

Implementation Panel

This panel lets you decide how to build or implement the filter design.

It has several major sections:

Circuit: This section lets you specify whether to use the standard LC passive circuit, or its dual circuit.

Resistor Values: This option determines how resistor values are chosen. You can choose to create the circuit using the *exact* computed values, or *single* values or *series / parallel combinations* of values chosen from a list of standard parts. There are several lists of standard parts, and you can add to them or make new lists for special requirements. See the section on Component lists in this chapter.

Capacitor Values: This option determines how the capacitor values are chosen. It works as described in the Resistor Values section.

Inductor Values: This option determines how the inductor values are chosen. It works as described in the Resistor Values section.

Preferences Combinations: This button lets you select options for Single Part and Combinations, including the standard part files to use.

Impedance Scale Factor: This option lets you specify a scale factor to apply to all passive component values. The factor multiplies all resistor and inductor values and divides all capacitor values. It does not change the shape of the response curve, but is used to shift component values to more suitable or practical values.

Source/Load Resistor: This option lets you specify the desired source and load resistor value. If the Exact option is selected, this value, after multiplication by the impedance scale factor, will be used for the source and load resistors in the final circuit. If the Exact option is not checked and a resistor file (*.res) is selected, the value in the resistor file nearest the desired value will be used instead.

Options Panel

The options panel has the same content and use as in the active filter design function. It lets you set component value and polynomial numeric format, determine what to plot and how to plot it, whether to create a circuit or a macro, whether to place the filter in the current or a new circuit, and whether to add a title and polynomial text.

What's in this chapter

This chapter describes convergence, or the lack thereof. It explains the source of many non-convergence error messages and some of the remedies available.

Convergence defined

To do its work, Micro-Cap 9 must solve nonlinear equations. Neither people nor computers are able to solve these equations analytically, so they must be solved numerically. There are many techniques for numerically solving equations, but they all rely upon a rule that tells the algorithm when to stop. Usually it is embodied in a piece of code like this:

```
while (error > RELTOL*V + VNTOL and iterations < MAXITERATIONS)
{
    error=Solve();
    iterations = iterations +1;
}
```

This code says to continue iterating the solution while the error is greater than some tolerance and we have not yet exceeded the specified maximum number of iterations. The error itself is defined as the difference in successive estimates of the final answer. Thus, if we get the same answer from one iteration to the next, or at least the difference between two successive answers is less than some acceptable tolerance then we say the solution converged, and the answer at this one data point is deemed correct.

This criteria is checked for every nonlinear variable in the circuit. If any one of these variables fails to converge, then the infamous message,

```
"Internal time step too small",
```

or one of its many cousins, is issued.

Convergence checks are applied during each nonlinear analysis operation, including the transient and AC analysis operating point calculations, all transient analysis data points, and all DC transfer analysis data points. The linear part of AC analysis is the only part when convergence checking is not necessary.

Convergence is the agreement of successive approximations to an answer.

What causes convergence problems

Many things can cause non-convergence. Here are the usual suspects:

Model discontinuities: Sometimes the model produces a discontinuity in a conductance, transconductance, or capacitance term. When the solution traverses the discontinuity, a disproportionate result is obtained, and the solution iterates around the discontinuity until the iteration limit is reached. There is little the user can do about this cause, except to avoid the model region where the discontinuity occurs.

Bistable or even unstable circuits: If a circuit is unstable, or has multiple stable states, the routines will sometimes iterate between one stable state and another. Because they never converge to one stable answer, convergence fails. This is usually a problem only in the DC operating point and transfer function analyses. To solve this problem, the DC operating point is often bypassed or achieved by ramping the power supplies and transient analysis is often substituted for DC transfer analysis.

Incorrect modeling: This is the most common source of trouble. Unrealistic impedances or source values, zero-valued capacitors, dangling nodes, and unintentional shorts are some of the more common problems. The most common problem in this category is misconnected components. If you take a circuit that converges and runs through every analysis perfectly and randomly alter its topology by breaking or adding connections, it will some times fail to converge. The second most common problem is zero-valued capacitance. Capacitors act like shock absorbers in transient analysis. They harmonize with the numerical routines to produce more realistic, more convergeable solutions. Model capacitances should rarely be set to zero. Use small values, like 1E-15, but don't make them zero. The third most common problem occurs when a diode or a switch is placed in series with an inductor. As experienced auto mechanics know, very high voltages are produced by interrupting the flow of current through an inductor. An ideal diode does this very neatly. When this happens, the time step routines reduce the time step to very small values and sometimes produce non-convergence. To mitigate this problem, use a medium value resistor in parallel with the diode or switch to absorb some of the current. Make the resistance large enough so that it doesn't interfere with normal circuit operation, but small enough to absorb the current when the diode shuts off. A practical value is 1E6. Even if non-convergence isn't a problem, this technique will usually speed up the run.

Convergence checklist

Here are the things you should try when convergence problems arise:

Check circuit topology:

Path to ground: Every node must have a DC path to the ground node.

The classic example of this is a circuit with two capacitors in series, with nothing else connected to the junction of the two capacitors. From the junction, there is no DC path to ground and the circuit will fail to find a DC operating point. The solution is to replace the series combination with an equivalent capacitor, or put a high-valued resistor like 1E12 from the junction to ground. Another circuit configuration that creates a very similar problem is a set of cascaded, ungrounded, transmission lines. There is no DC path from the transmission line output to the input, so unless the junction between the lines is grounded or has a path to ground through some other component, an operating point convergence failure usually occurs. The solution is to place a high-valued resistor like 1E12 from the junction to ground.

Current sources in series: Current sources in series with different values are a logical absurdity and may produce convergence errors. Eliminate them or add a large resistance in parallel with each source.

Voltage sources or inductor loops: Both voltage sources and inductors are voltage-defined branches. A loop with only voltage-defined branches is a source of much trouble since it allows a possibly nonzero sum of voltages around the loop. MC9 will check for these, but if you eliminate them by adding a very small resistance within the loop to absorb the net loop voltage, be careful not to make it too small or you will produce an ill-conditioned matrix and a nonconvergence error.

Shorts and opens: The easiest way to see short circuits and open circuits is to turn on the Node numbers display option. If two nodes are shorted to form one node there will be a single node number. If two nodes are distinct there will be a unique node number on each.

Floating nodes: Floating nodes can cause problems. Make sure the Floating Nodes Check option (Options / Preferences / Options / Circuit) is enabled. This eliminates floating nodes by checking for the presence of at least two connections for every node. The check procedure is done when an analysis is selected.

Check circuit modeling:

Nonzero diode series resistance: The RS of the diode serves to self-limit the possibly exponential current that can flow if an external voltage source is placed across the diode. The same argument applies to the BJT transistor lead resistances.

Nonzero diode parallel resistance: The RL of the diode serves to limit the reverse voltages that can occur when an inductor is in series with the diode. Normal reverse resistance due to IS alone is on the order of 1e15 ohms. This is unrealistically high for most diodes. The RL parameter provides a convenient way to specify a realistic leakage resistance of 1E6 to 1E9. *High reverse diode resistance in the presence of series inductors not only leads to the most common cause of "time step too small" errors, it is also a common cause of slow simulations, as it forces very small time steps.*

Nonzero capacitors: Do all capacitors have nonzero values? If not, set them to a small value relative to other capacitors in the circuit.

Switches and inductors in series: If these are present and are causing problems, add parallel resistors of 10K or larger to minimize convergence problems. Any kind of a switch in series with an inductor can cause a problem. This includes diodes, switches, and active devices.

MOSFET drain-source conductance: A small nonzero value, like .01 to .001, for the LAMBDA model parameter, produces a finite output conductance and can frequently solve convergence problems with MOSFETs. Alternatively, adding a 1K to 10K resistor between the drain and source will accomplish the same thing. The value of the resistance should be large enough to avoid loading the drain circuit.

Tweak the Global Settings:

Increase Gmin: Gmin is the minimum branch conductance. Increasing it sometimes helps a DC operating point to converge.

Increase RELTOL: RELTOL is the maximum relative error tolerance. Sometimes increasing it from the default value of .001 to .01 will converge a difficult circuit.

Increase ABSTOL or VNTOL: These Global Settings values specify the maximum absolute error tolerance in current variables and voltage variables, respectively. The default values for these parameters are:

ABSTOL = 1E-12

VNTOL = 1E-6

These values are suitable for typical integrated circuits where the currents are typically 10 mA and the voltages are typically 10 volts. If your circuit contains especially large currents or voltages, try increasing these values proportionate to the size of the expected maximum current and voltage values in your circuit. Thus, if your circuit produces 1000 amps, increase ABSTOL by 1E5 (1000/10mA), to 1E-7 (1E5*1E-12).

Increase ITL1: If the non-convergence occurs in a DC operating point, then increasing ITL1 from its customary 100 to a larger value sometimes helps. There are circuits that converge after 150, or even 300 iterations. Convergence Assist, if enabled, will increase ITL1 for you automatically.

Increase ITL4: If the non-convergence occurs during a transient analysis, increase ITL4 to 20 or even 50. ITL4 is the limit on the number of iterations at each timepoint beyond which the program discards the solution, reduces the timestep, and tries again with the smaller timestep. Convergence Assist, if enabled, will do this for you automatically.

Turn off the operating point:

If the problem is lack of convergence in the operating point, try eliminating it and letting the circuit simply stabilize at its operating point the way a real circuit would do if you simply turned on the power. If you anticipate many simulations, you might want to run the circuit with all waveform sources set to their Time= 0 values to let it stabilize at an operating point and then save the operating point values from the State Variables editor. Later runs would then be set to read the operating point values from the file. This is done by choosing the Read option in the State Variables list box in the Analysis Limits dialog box. On subsequent runs you may need to choose the Operating Point option if the circuit has changed enough to change the operating point values. The initial approximation from the file should substantially aid convergence.

Try something drastic:

Ramp the supplies slowly: Replace all DC voltage and current sources in the circuit with pulse source equivalents. Then set the timing parameters of the pulse sources to gradually ramp up the values. Use 0 for all initial source values, or bypass the DC operation point completely by disabling the Operating Point option in the Analysis Limits dialog box. This option is only available in transient analysis.

Use Nodese commands: Nodese commands specify an initial guess at the value of a node voltage, prior to beginning the operating point. If the guess is close, it sometimes helps convergence.

Use the Off keyword: Turn active devices off with the OFF keyword. Especially if the device is involved in the area of the circuit that is not converging, this can be a very useful technique.

Use the IC device options: These options let you specify the initial conditions for the active devices. If the device is the one not converging, this can help. It is necessary to estimate the initial condition (voltage or current) to use this method.

Check the numeric output file: If convergence fails, look at the numeric output (F5). It includes information on devices that failed to converge. Sometimes you can get a hint of what the problem is by seeing which devices failed.

Enable Convergence Assist: This option, located at **Options / Preference / Options / Analysis** is sometimes useful in getting difficult circuits to converge. It tries several combinations of the Global Settings simulation parameters in an attempt to get the circuit to converge. If it succeeds, it places a .OPTIONS statement with the successful parameters in the circuit so that future runs will converge more readily.

Try different operating point methods: If the problem is an operating point failure, try changing the the operating point methods. This technique is described in Chapter 6 under Operating Point Methods. It lets you evaluate and choose the order in which the five operating point methods are attempted.

Try using numeric derivatives: If you are using function sources with complicated algebraic formulas, try using numeric derivatives in lieu of the default algebraic derivatives. These can be globally enabled from **Options / Global Settings / Numeric_Derivative**, or they can be enabled individually for each device from the Attribute dialog box.

What's in this chapter

This chapter describes how to use the FFT functions to do Fourier analysis on circuit waveforms. It includes these topics:

- How FFT functions work
- Fast Fourier Transform functions
- An FFT example
- FFT control panel
- FFT windows

Features new in Micro-Cap 9

- FFT windows are now available in Probe
- HARM and FFTS now have an optional bandwidth parameter, BW. BW can also be an expression allowing a variable bandwidth.

How FFT functions work

The Fast Fourier Transforms are a group of math functions for extracting frequency and time information from transient analysis waveforms and AC analysis curves. All of the functions employ the same internal Fast Fourier Transform (FFT) routine. That routine requires two basic parameters to do its work; N, the number of data points, and DF, the sampling frequency.

N: Number of data points

N is equal to the value in the Number of Points field in the FFT panel of the Plot Properties (F10) dialog box. It is typically 1024.

N must always be a power of two and is also constrained to the following range:

- Minimum = 64 or 2^6
- Maximum = 1048576 or 2^{20}

DF: Sampling frequency

The sampling frequency, DF, is calculated as follows:

Transient analysis:

$DF = 1\text{'st harmonic} = 1 / (<Upper Time Limit> - <Lower Time Limit>)$
where *<Upper Time Limit>* and *<Lower Time Limit>* are from the FFT panel of the Plot Properties (F10) dialog box.

AC analysis:

$DT = \text{Time Step} = 1 / DF = N / <Upper Frequency Limit>$
where *<Upper Frequency Limit>* is from the FFT panel of the Plot Properties (F10) dialog box.

DF is the interval between sample points in the output FFT and is also referred to as the first harmonic. The frequency range sampled is:

Data Point	Contents
1	0 Hz or DC value
2	H1 = 1'st harmonic at $F = DF$
3	H2 = 2'nd harmonic at $F = 2*DF$
...	...
N	HN = N-1'th harmonic at $F = (N-1)*DF$

The FFT functions can be used in both AC and transient analysis.

In transient analysis, time domain waveforms (curves of real voltage vs. time) are sampled and fed to the FFT routines which employ N samples of DF frequency steps to calculate, typically, an FFT or a HARM function.

In AC analysis, frequency spectra (curves of complex voltage vs. frequency) are sampled and fed to the FFT routines which employ N samples of the time step, DT, to calculate, typically, an IFT function. The use of these functions is mostly of theoretical interest.

Resolution, range, and accuracy are controlled by the FFT parameters N and DF.

In transient analysis:

Increasing $\langle t_{max} \rangle$ in transient analysis decreases DF, resulting in finer frequency resolution and a lower maximum frequency, since $f_{max} = (N-1)*DF$.

Increasing N increases the upper frequency range.

In AC analysis:

Increasing $\langle f_{max} \rangle$ in AC analysis decreases the time step, DT, resulting in a finer time step resolution and a lower t_{max} , since $t_{max} = (N-1)*DT$. Increasing N increases the maximum time range.

Fast Fourier Transform functions

The Fast Fourier Transform (FFT) functions include the following:

- **HARM(u[,BW])**

This function returns the amplitude of the harmonics of waveform u. BW is an optional bandwidth expression. Amplitude means the multiplier of the sine or cosine function. For example, for this function,

$$V(T) = 3.0 * \text{SIN}(2 * \text{PI} * 1\text{E}6 * T)$$

HARM would return 3.0 for the harmonic associated with 1E6.

HARM returns the following values:

Data Point	Contents
1	H0 = DC value
2	H1 = Amplitude of 1'st harmonic
3	H2 = Amplitude of 2'nd harmonic
...	...
N	HN = Amplitude of N-1'th harmonic

Examples:

HARM(V(OUT)) Harmonic amplitude of the voltage waveform V(OUT).
HARM(IC(Q1)) Harmonic amplitude of the current waveform IC(Q1).

- **THD(S[,FR])**

This function returns a running sum of the total harmonic distortion of the spectrum S as a percent of the harmonic magnitude at the reference frequency FR. It returns the following values:

Data Point	Contents
1	0
2	0
3	Distortion of 2'nd harmonic as % of first harmonic
4	Distortion of 2'nd and 3'rd harmonic as % of first
...	...
N	Distortion of all harmonics as % of first harmonic

In general, the m'th value of the THD is given by:

$$\text{THD}_m = 100 * (H_2^2 + H_3^2 + H_4^2 + \dots + H_m^2) / H_1^2)^{0.5}$$

where $H_m = (\text{REAL}(H_m)^2 + \text{IMAG}(H_m)^2)^{0.5}$

If FR is unspecified, or if the FR value specified does not match one of the harmonic frequencies, n*DF, to within 1%, FR is set to the first harmonic.

Examples:

THD(HARM(V(1))) THD of the harmonics of the waveform V(1).
 THD(HARM(I(D1))) THD of the harmonics of the waveform I(D1).

• **IHD(S[,FR])**

This function behaves the same as the THD function but returns individual harmonic distortion as a percent of the harmonic magnitude at the reference frequency FR. It returns the following values:

Data Point	Contents
1	0
2	0
3	Distortion of 2'nd harmonic as % of first harmonic
4	Distortion of 3'rd harmonic as % of first harmonic
...	...
N	Distortion of N'th harmonic as % of first harmonic

In general, the m'th value of the IHD is given by:

$$\text{IHD}_m = 100 * (\text{mag}(H_m) / \text{mag}(H_1))$$

If FR is unspecified, or if the FR value specified does not match one of the harmonic frequencies, n*DF, to within 1%, FR is set to the first harmonic.

Examples:

IHD(HARM(V(A))) IHD of the harmonics of the waveform V(A).
 IHD(HARM(IB(Q1))) IHD of the harmonics of the waveform IB(Q1).

• **FFT(u)**

This function returns a classical Fourier transform of waveform u. It does not return the harmonics as HARM does. The FFT calculates a set of Fourier coefficients scaled by N/2 (DC scaled by N). Recall that the Fourier series approximates a waveform x(t) as follows:

$$x(t) = a_0/2 + \sum (a_N \cdot \cos(2 \cdot \pi \cdot N \cdot f_1 \cdot t) + b_N \cdot \sin(2 \cdot \pi \cdot N \cdot f_1 \cdot t))$$

where f1 is the fundamental frequency.

The FFT function returns a complex quantity whose real part contains the scaled Fourier series a_N coefficients and the imaginary part contains the scaled Fourier series b_N coefficients:

Data Point	REAL(FFT())	IMAG(FFT())
1	$a_0 \cdot N$	0
2	$a_1 \cdot N/2$	$b_1 \cdot N/2$
3	$a_2 \cdot N/2$	$b_2 \cdot N/2$
...
N	$a_{N-1} \cdot N/2$	$b_{N-1} \cdot N/2$

The FFT and its inverse are defined such that $IFT(FFT(x(t))) = x(t)$. That is, the inverse of the transform of a waveform is equal to the original waveform.

Examples:

FFT(V(A)) FFT of the voltage waveform V(A).
 FFT(IB(Q1)) FFT of the collector current waveform IB(Q1).
 FFTS(V(1),2E6) FFTS of V(1) with a bandwidth (BW) of 2E6.

*The HARM, THD, and FFT functions transform a time-domain waveform into a frequency-domain spectrum, so when you use one of these in a Y expression, the X expression should be F for frequency. The X range should be initially set to between 5*DF and 10*DF.*

• **FS(u,[n1],n2)**

Partial Fourier series representation of waveform u, compiled from the terms n1 through n2. N1 defaults to 0 and n2 defaults to the FFT Plot Properties value of Number of Points / 2.

• **RES(u,[n1],n2)**

The residue function shows the waveform u minus the Fourier terms n1 through n2. N1 defaults to 0. N2 defaults to 1. RES(u) is RES(u,0,1) and thus shows the distortion components due to the 2'nd and higher harmonics.

• **FFTS(u,[BW])**

Forward Fourier transform of waveform u, scaled so that RE(FFTS(u)) produces the Fourier series cosine coefficients and IM(FFTS(u)) produces the Fourier series sine coefficients. It is similar to the HARM() function. BW is an optional bandwidth expression.

• **IFT(S)**

This function returns a classical inverse Fourier transform of a spectrum S. A spectrum is a list of the value of some complex expression vs. frequency. In AC analysis all expressions are of this type, so IFT(V(1)) would produce meaningful results. In transient analysis, IFT(V(1)) would make no sense, since V(1) would be a time domain waveform. However, an expression like IFT(FFT(V(1))) would produce meaningful results in transient analysis.

Example:

IFT(V(5)*I(R10))

IFT of the spectrum V(5)*I(R10).

IFTS(V(1),2E6)

IFTS of V(1) with a bandwidth (BW) of 2E6.

*An IFT transforms a frequency-domain spectrum into a time-domain waveform, so when you use an IFT in a Y expression, the X expression should be T for time. The initial time range should be set to between 10*DT and 100*DT.*

• **IFTS(S)**

Scaled inverse Fourier transform of spectrum S. Scaling is such that IFTS(FFTS(u)) = u.

• **CONJ(S)**

This function returns the conjugate of a spectrum S. The conjugate of the complex number $a + b \cdot j$ is $a - b \cdot j$. This function simply negates the imaginary part of the spectrum.

Example:

CONJ(FFT(V(1))) Conjugate of the spectrum FFT(V(1)).

• **CS(u1,u2)**

This function returns the cross spectrum of two waveforms, u1 and u2. The cross spectrum is defined as $CONJ(FFT(u2))*FFT(u1)*DT*DT$.

Example:

CS(V(1),V(2)) Cross spectrum of V(1) and V(2)

• **AS(u)**

This function returns the auto spectrum of a waveform u. The auto spectrum is defined as $AS(u) = CONJ(FFT(u))*FFT(u)*DT*DT$.

Example:

AS(I(RL)) Auto spectrum of waveform I(RL)

• **AC(u)**

This is the auto correlation of waveform u. The definition is:

$$AC(u) = IFT(CONJ(FFT(u))*FFT(u))*DT$$

This function is useful for finding periodic signals buried in noisy waveforms.

Example:

$$RE(AC(V(10))) \quad \text{Auto correlation of waveform V(10)}$$

See the sample circuit FFT5.CIR for an example of this type of function.

• **CC(u,v)**

This is the cross correlation of waveforms u and v. The definition is:

$$CC(u,v) = IFT(CONJ(FFT(v))*FFT(u))*DT$$

This function is used 'for finding the time delay between two periodic signals.

Example:

$$CC(V(1),V(2)) \quad \text{Cross correlation of waveform V(1) with V(2).}$$

See the sample circuit FFT3.CIR for an example of this type of function.

• **COH(u,v)**

This is the coherence function of waveforms u and v. The definition is:

$$COH(u,v) = CC(u,v)/\text{sqrt}(AC(u(0))*AC(v(0)))$$

Example:

$$COH(V(1),V(2)) \quad \text{Coherence of waveform V(1) with V(2).}$$

FFT operators

The math functions available to manipulate the output of FFT functions are:

<u>Short form</u>	<u>Long form</u>	<u>Function</u>
RE(S)	REAL(S)	Real part of spectrum S
IM(S)	IMAG(S)	Imaginary part of spectrum S
MAG(S)	MAG(S)	Magnitude of spectrum S
PH(S)	PHASE(S)	Phase of spectrum S

Either the long form or the short form may be used. Note that the MAG function is redundant. Plotting V(1) is the same as plotting MAG(V(1)), since the plotting routines always plot the magnitude of the final result.

FFT Accuracy

Accuracy of the lower harmonics is affected mainly by the size of the time or frequency step in the analysis run. If there are many high frequency components, then accuracy will be affected by N, since N determines fmax.

The table below summarizes how accuracy is affected by the time step in the circuit FFT1.CIR. This circuit contains a single source generating a pure mixture of DC, 1MHz, 2MHz, and 3MHz sine waves. The result below is for the HARM function applied to the source node, HARM(V(1)). Ideally, the HARM function should return 1.5, 1.0, 2.0, and 3.0 exactly. The extent to which the results differ from these exact values determines the accuracy.

The error in parts per billion (1E9) with N=1024 is as follows:

<u>Max Time Step and % of 1'st harmonic period</u>	<u>1'st harmonic</u>	<u>2'nd harmonic</u>	<u>3'rd harmonic</u>
1ns (.1%)	3300	13000	30000
.1ns (0.01%)	33	130	300
.01ns (0.001%)	0.3	1.3	3.0

The error in decibels dB(ERROR) with N=1024 is as follows:

<u>Max Time Step and % of 1'st harmonic period</u>	<u>1'st harmonic</u>	<u>2'nd harmonic</u>	<u>3'rd harmonic</u>
1ns (.1%)	-109	-97	-91
.1ns (0.01%)	-149	-137	-131
.01ns (0.001%)	-191	-177	-170

N has virtually no effect on the accuracy of the lower harmonics.

FFT Speed

The speed of the FFT routine is approximately a linear function of N. Always use a value of N that is as small as possible. A value of 1024 is nearly always a good choice. Remember, N affects only fmax, because $f_{max} = N \cdot DF$. Sometimes you may want to increase the tmax to decrease DF to get finer frequency resolution. This has the side effect of lowering fmax, so you may need to increase N to maintain the desired fmax.

An FFT example

To illustrate how FFT functions are used load the file FFT1. It looks like this:

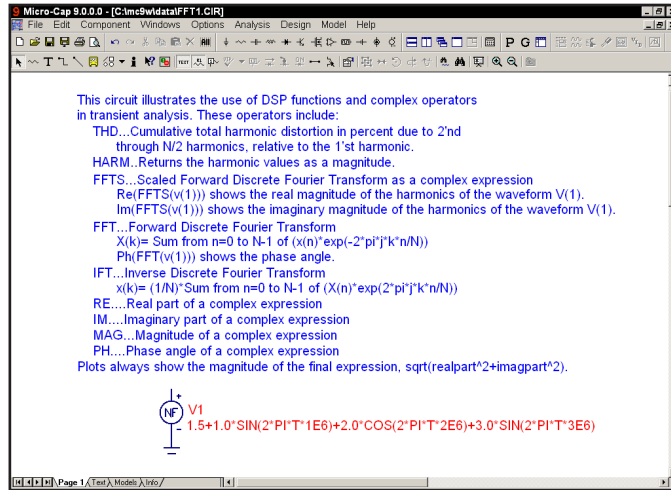


Figure 31-1 The FFT1 circuit

This circuit contains a node to which is attached a function source with an output expression of:

$$1.5 + 1.0 \cdot \sin(2 \cdot \pi \cdot T \cdot 1E6) + 2.0 \cdot \cos(2 \cdot \pi \cdot T \cdot 2E6) + 3.0 \cdot \sin(2 \cdot \pi \cdot T \cdot 3E6)$$

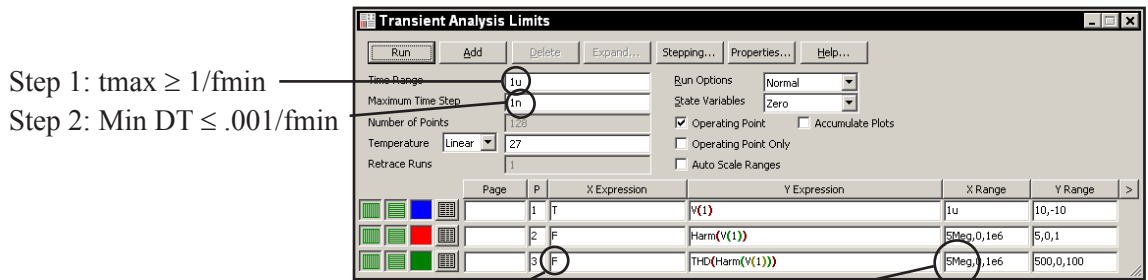
This source generates a waveform that is a mix of the following pure sinusoids:

<u>F</u>	<u>Amplitude</u>
0	1.5
1E6	1.0
2E6	2.0
3E6	3.0

There are no capacitors or inductors in the circuit, so there is no initial transient to obscure the steady state output we're interested in.

Select **Transient** from the **Analysis** menu. This dialog box illustrates several important steps in getting good results with FFT functions.

The Analysis Limits dialog box looks like this:



Step 1: $t_{max} \geq 1/f_{min}$

Step 2: $\text{Min DT} \leq .001/f_{min}$

Step 3: Set X expression to F

Step 4: Set X Range to $5*DF$

Figure 31-2 The FFT1 Analysis Limits dialog box

Step 1:

The FFT functions depend upon a good choice of the sampling frequency, DF, and a sufficient number of data points, N. The value of DF is

$$DF = F1 = 1 / t_{max}$$

The format of the Time Range field is:

$$\langle t_{max} \rangle [, \langle t_{min} \rangle]$$

If t_{min} is zero, as it usually is, then $\langle t_{max} \rangle$ is just the value of the Time Range field. Then,

$$DF = F1 = 1 / \text{Time Range value.}$$

This requires that:

$$t_{max} \geq 1/F_{MIN} \quad \text{where } F_{MIN} \text{ is the smallest expected harmonic.}$$

This necessity is embodied in Step 1:

$$\text{Step 1: Set } t_{max} \geq 1/F_{MIN}$$

If you're unsure of what F_{MIN} is, assume it is equal to the lowest frequency of any input signal sources present in the network. If there are no sources present, as for example, in an oscillator, use the expected oscillator frequency.

Step 2:

The accuracy of the FFT will be controlled by the minimum time step. The smaller the better, but the smaller the DT the longer the analysis will take. As a good rule of thumb make DT 0.1% of the period of the FMIN. This leads to Step 2.

Step 2: Set the Minimum Time Step to $0.001 / FMIN$.

Step 3:

For any FFT with a time domain argument, such as FFT and HARM, you must have F (frequency) for the X expression. This leads to Step 3.

Step 3: Set the X expression to F.

Step 4:

Make sure the horizontal scale is set to see the frequencies of interest.

*Step 4: Set the X Range to a small multiple of DF, say $10 * DF$ to $50 * DF$.*

Step 5:

FFT functions assume that the waveform is periodic. If the circuit has non-periodic initial transients, they will generate errors in the FFT calculations. Remove these by using the FFT panel in the Plot Properties dialog box. Since this circuit has no capacitors or inductors, there are no initial transients, so the precaution is not necessary here.

Step 5: Set the Lower Time Limit in the FFT Parameters dialog box to exclude initial transients.

Press F2 to run the simulation. The results look like this:

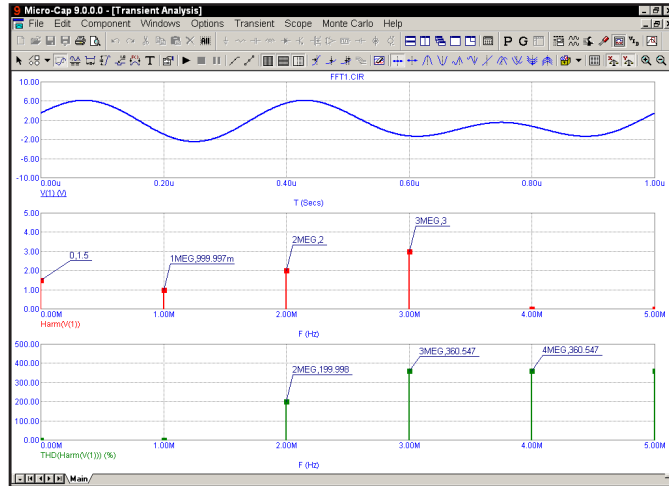


Figure 31-3 The graph with $t_{max} = 1\mu$

The second graph, showing the HARM(V(1)), produces the expected results:

DC	0	1.5
1	1MHz	1.0
2	2MHz	2.0
3	3MHz	3.0

To illustrate the impact of changing t_{max} , change Time Range to 10u and change the X Range of the first waveform, V(1) to 10u. Press F2 to run the analysis:

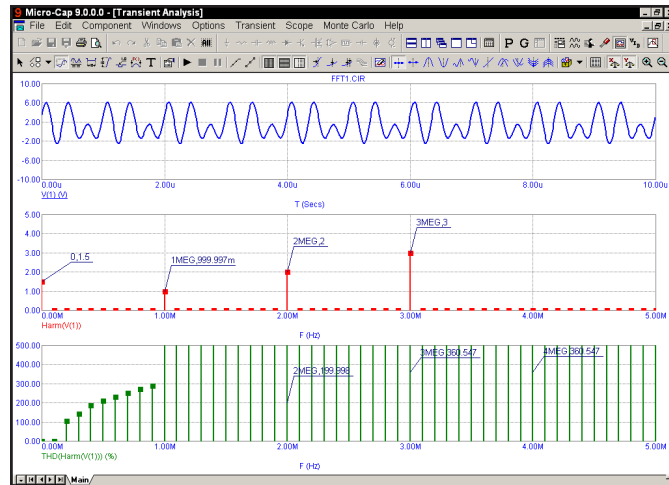


Figure 31-4 The graph with $t_{max} = 10\mu$

Notice that the HARM() function still correctly plots the 0MHz, 1MHz, 2MHz, and 3MHz values, but the THD function has changed. As specified, the THD function uses the first harmonic or reference frequency. Because we changed tmax from 1u to 10u, the first harmonic frequency changed:

$$\text{Old first harmonic} = 1\text{Meg} = 1/1\text{u.}$$

$$\text{New first harmonic} = 100\text{K} = 1/10\text{u.}$$

The reference frequency shifted from 1MHz to 100KHz.

To avoid this problem, you can specify the optional second parameter, FR. For example, in this case we would use:

$$\text{THD}(\text{HARM}(\text{V}(1)), 1\text{MEG})$$

The program scans the N*DF values and finds a match at N=10 because

$$10 * \text{DF} = 10 * 100\text{KHz} = 1\text{MHz.}$$

It then uses the 10th harmonic (1MHz) as the THD reference frequency. The plot then looks like this:

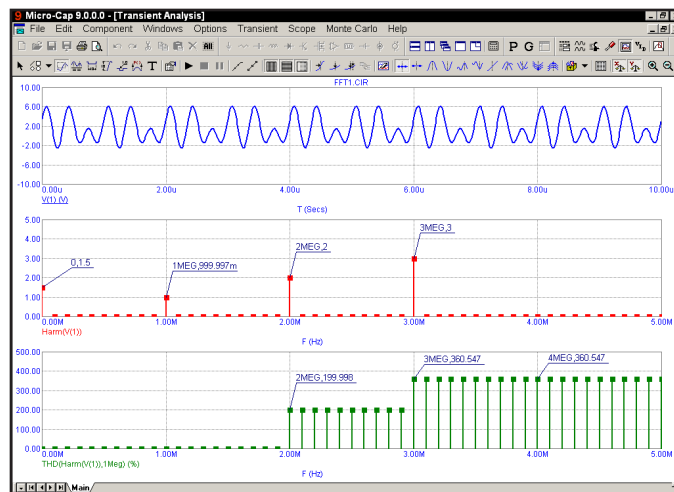


Figure 31-5 The graph with tmax = 10u and FR = 1MHz

Notice that the THD now shows the expected values of 0% at 1MHz, 200% at 2MHz, and so on.

The FFT control panel

FFT functions and the FFT windows use the parameters from the FFT panel of the Plot Properties (F10) dialog box to control the FFT functions. It is accessed by pressing F10 when an analysis plot is displayed. It can also be accessed by double clicking on the analysis plot and from the Properties button in the Analysis Limits dialog box. The FFT panel looks like this:

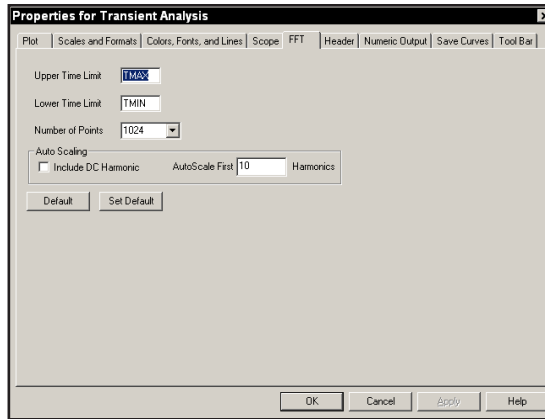


Figure 31-6 The FFT control panel

Upper Time Limit: This sets the upper time limit for FFT functions. Generally this is set to a multiple of the fundamental period, typically 3-5 periods.

Lower Time Limit: This sets the lower time limit for FFT functions. Generally this is set to a multiple of the fundamental period to avoid startup transients in the target waveform and is typically 2 - 4 periods. The difference between the upper and lower time periods should be 1 period of the fundamental.

You can also use these variables in the time limit fields:

TMAX	Maximum time of the transient analysis
TMIN	Start time of the transient analysis

For example, you might use TMAX as the entry in the Upper Time Limit field and TMIN or (to avoid startup transients) perhaps $0.5 \cdot TMAX$ as the entry for the Lower Time Limit field.

Number of Points: This sets the number of interpolated data points to use for FFT functions. Typically 1024, 2048, or 4096 are nearly always suitable choices.

Auto Scaling: This group controls auto scaling options for FFT functions and includes these options:

Include DC Harmonic: This option includes the DC harmonic when auto scaling is done. Typically it is disabled.

Auto Scale First Harmonics: This number specifies the number of harmonics to include when scaling.

To illustrate the use of the control parameters, load the file FFT7 and run transient analysis. The screen looks like this:

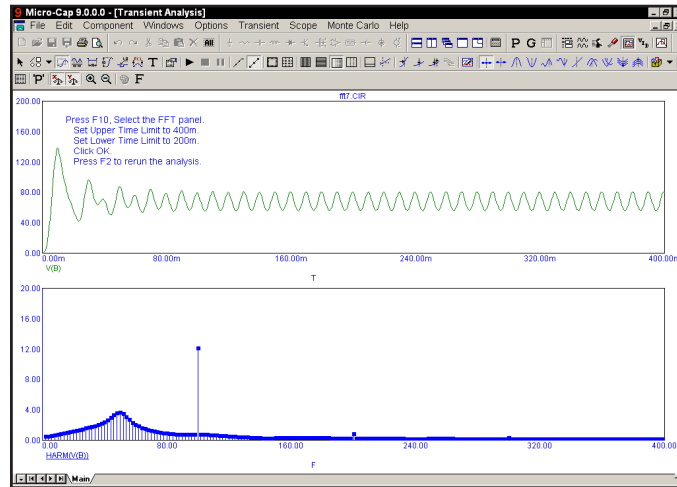


Figure 31-7 The graph with the initial transients

The plot of V(B) includes initial, *non-periodic* transients. The FFT is meant to be applied to *periodic* waveforms and any lack of periodicity shows up as spurious low frequency harmonics. To eliminate the transients and the attendant harmonics, press F10 and click on the FFT panel. Set the Upper Time Limit to 400m. Set the Lower Time Limit to 200m. Click OK and press F2 to rerun the transient analysis. These values specify that all FFT functions are to be windowed from 200ms to 400ms. This means that the portion of the waveform prior to 200ms is to be discarded. The portion from 200ms to 400ms is to be retained. The plot results look like Figure 31-8.

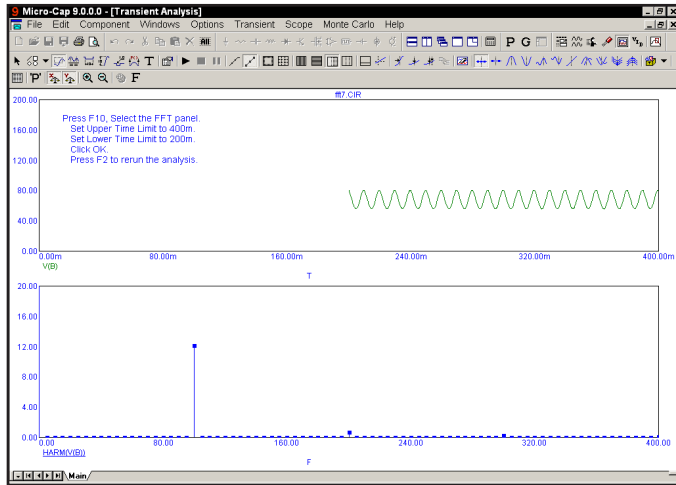


Figure 31-8 The graph without the initial transients

The FFT panel specified the following:

1. Remove the 0-200ms portion of the V(B) waveform.
2. Create a new waveform, by interpolating 1024 equally spaced points from the old 200ms to 400ms region of the original waveform.
3. Apply the HARM function to this new waveform.

The top part of the graph shows the truncated, interpolated V(B) waveform with its 0-200ms portion removed. The bottom part shows the HARM(V(B)). With the removal of the waveform transient and its spurious harmonics, the true steady state harmonic content, primarily at multiples of 100Hz, can now be more clearly seen.

The FFT window

Plotting FFT functions can be complicated so to make the job a little easier you can use an FFT window. To illustrate how this is done, load the FFT1 circuit and run transient analysis. After the run is complete, select the **Add FFT Window** option from **Transient menu / FFT Windows**. This presents the FFT dialog box: The FFT dialog box has these panels:

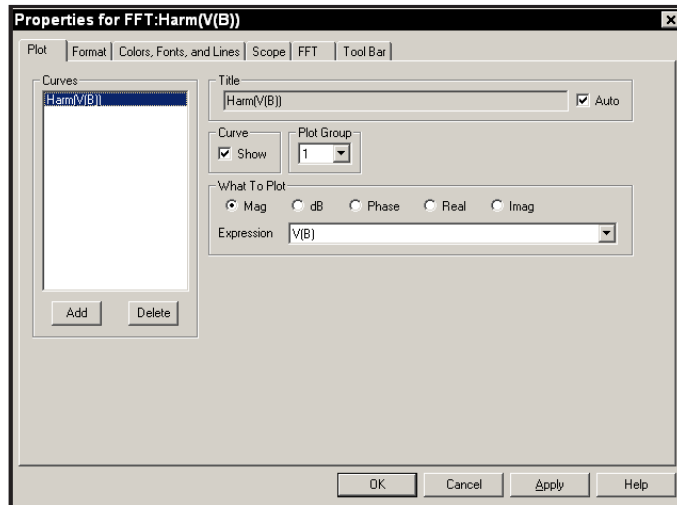


Figure 31-9 The FFT Window Properties dialog box

Plot

Curves: This lets you add / select the FFT curves that the Title, Show, Plot Group, What To Plot, and Expression fields apply to.

Title: This selects the plot title.

Curve: This enables or disables display of the selected curve.

Plot Group: This selects the plot group for the FFT function.

What To Plot: This selects which of several operators to use.

Expression: This selects which of the plotted curves the FFT functions will operate on.

Format

The Format panel is similar to that of the analysis plot. It lets you control the various format, scaling, and numeric features of plots in the FFT window.

Colors, Fonts, and Lines

This panel is also similar to that of the analysis plot. It lets you control the color, font and other display features of plots in the FFT window.

Scope

This access the usual Scope functions for the plot.

FFT

The FFT control panel is similar to that already described for the analysis plot. It lets you control the FFT functions used in FFT windows. It does not apply to FFT functions employed in the analysis plot.

Tool Bar

The Tool Bar panel is similar to that of the analysis plot. It lets you control the tool bar button that appears in the FFT window.

Click on the OK button and the display appears like so:

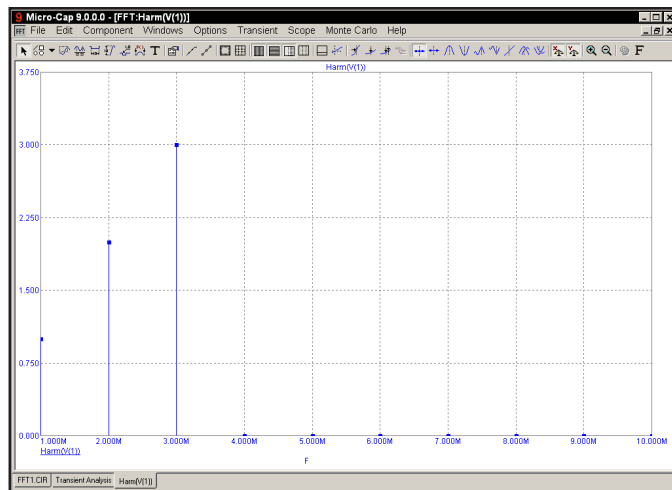


Figure 31-10 The FFT Window

This produces a plot of the first 10 harmonics of $V(1)$, very similar to the middle plot group of Figure 31-3.

Bold files are essential to the proper operation of the program and should not be removed.

Italicized files save user preferences and should not be removed, although the program will work without them.

Underlined files are user-generated and, while optional, may contain important user-created data.

The remaining files are optional and usually can be deleted to conserve space.

- *.1, *.2...*.n - Monte Carlo worst case circuit files
- *.AMC - AC Monte Carlo statistics
- *.ANO - AC numeric output
- *.ASA - AC save analysis / probe simulation
- *.BAK_* - Backup files
- *.**BIN** - **Filter designer circuit template file**
- WFB.BIN - Waveform Buffer file. Saves user curves and waveforms.
- *.BMP - Graphics file in BMP format
- *.BOM - Bill of Materials
- *.**CAP** - **Listing of standard capacitor values**
- *.CIR - Micro-Cap schematic file
- *.CKT - SPICE circuit file
- *.**CNT** - **Help contents file**
- *.**CMP** - **Component Library file**
- *.CSV- Excel Comma Separated Value file
- *.*DAT* - *User preferences file.*
- *.DANO- Dynamic AC numeric output
- *.DDNO- Dynamic DC numeric output
- *.DMC - DC Monte Carlo statistics
- *.DNO - DC numeric output
- *.DOC - Results file created when MC9 is run under batch mode
- *.DSA - DC save analysis / probe simulation
- *.EMF - Windows extended metafile (picture file)
- *.ERR - PCB error files
- *.**EXE** - **MC9 program files**
- *.*FLT* - *Filter preferences file*
- *.GIF - Graphics file in GIF format.

- *.**HLP** - **Help file**
- *.*INC* - *User definitions file MCAP.INC.*
- *.**IND** - **Listing of standard inductor values**
- *.*INX* - *Index file*
- *.*JED* - *JEDEC file*
- *.*JPG* - *Graphics file in JPG format.*
- *.**LBR** - **Micro-Cap binary library file**
- *.**LIB** - **SPICE library file**
- *.**MAC**- **Micro-Cap macro file**
- *.**MC9** - **Micro-Cap usage statistics file**
- *.**MC9** - **Micro-Cap program file used for the demos or error messages**
- *.**MDL**- **Model program data file**
- *.*OPT*- *Results file created when MODEL is run under batch mode*
- *.*NET* - *Orcad, Protel, PADS, or Accel netlist file*
- *.**PDF** - **Instruction manuals and tutorial files**
- *.**PKG** - **Package Library file**
- *.*PNG* - *Graphics file in PNG format.*
- *.**RES** - **Listing of standard resistor values**
- *.**SAN** - **Minimum, maximum, and default limits for model parameters**
- *.*SEN* - *Sensitivity analysis output file*
- *.**SHP** - **Shape Library file**
- *.*STM* - *Waveform file for digital file stimulus component*
- *.*SVV* - *State Variables editor text output file*
- *.*TIF* - *Graphics file in TIFF format.*
- *.*TMC* - *Transient Monte Carlo statistics*
- *.*TNO* - *Transient numeric output*
- *.*TOP* - *Binary output file used in State Variables read operation*
- *.*TSA* - *Transient save analysis / probe simulation*
- *.*TXT* - *Text file*
- *.*USR* - *User waveform file for plotting or the User Source component*
- *.*WMF* - *Windows meta file (picture file)*
- *.*WNO* - *Distortion numeric output*
- *.*WSA* - *Distortion simulation save file*

Appendix B Model library files

Files new to MC9 are shown in italics.

Analog parts

AD.LIB	Demo file for part import illustration
ADV_LIN.LIB	Advanced Linear ICs
AMP.LIB	Amp connectors
ANALOG.LIB	Analog Devices ICs
APEX.LIB	Apex Microtechnology ICs
APEXPWM.LIB	Apex PWM Models
AVX_NIOBIUMOXIDE.LIB	AVX niobium oxide capacitor library
AVX_TANTALUM.LIB	AVX tantalum capacitor library
BURRBN.LIB	Burr Brown ICs
COMLIN.LIB	Comlinear ICs
CUR_REGS.LIB	Current regulator diodes
DEI.LIB	DEI MOSFETs
DIODE.LIB	Diodes
EDIODE.LBR	European diodes
ELANTEC.LIB	Elantec ICs
EPCOS_CORE.LIB	EPCOS ferrite magnetics models
EUROPE.LBR	European transistors
FAIRCH.LIB	Fairchild discrete components
FWBELL.LIB	F.W. Bell hall generators
GENSEMI.LIB	General Semiconductor diodes
HARHIP.LIB	Harris Semiconductor bridge drivers
HARPRMOS.LIB	Harris Semiconductor power MOSFETs
HARRHMOS.LIB	Harris radiation hardened power MOSFETs
HARRIS.LIB	Harris Semiconductor ICs
HPDIODE.LIB	Hewlett Packard diodes
HPMOS.LBR	Hitachi power MOSFETs
INFINEON.LIB	Infineon discrete components
INTERSIL.LIB	Intersil MOSFETs
IRF.LIB	International Rectifier transistors
IRPMOS.LBR	International Rectifier MOSFETs
IXYS.LIB	IXYS IGBTs using the Hefner IGBT model
JAPAN.LBR	Japanese transistors
JDIODE.LIB	Japanese diodes
JFET.LIB	JFETs
LASERIES.LIB	Harris LA series varistors

LINEAR.LIB	Linear Technology ICs
LITTELFUSE.LIB	Varistors
LTOPAMP.LBR	Linear Technology opamps
M_IC.LIB	Motorola integrated circuits
M_IGBT.LIB	Motorola IGBT devices
M_OPAMP.LIB	Motorola OPAMPs
M_OPTO.LIB	Motorola optoelectronics
M_POWBJT.LIB	Motorola bipolar power devices
M_RECT.LIB	Motorola rectifiers
M_RFDEV.LIB	Motorola RF transistors
M_SMALL.LIB	Motorola small signal devices
M_TMOS.LIB	Motorola TMOS
M_ZENER.LIB	Motorola zeners
MAXIM.LIB	Maxim ICs
METELICS.LIB	Schottky and tunnel diodes
MICROSEM.LBR	Microsemi diodes
MPBJT.LBR	Motorola power BJTs
MPMOS.LBR	Motorola power MOSFETs
MSBJT.LBR	Motorola small-signal BJTs
MSENSOR.LIB	Motorola sensors
MZENER.LBR	Motorola zener diodes
NATION.LIB	National Semiconductor ICs
NOM.LIB	Master list of all library files
NP_DCDC.LIB	Newport Components DC-DC Converters
NSOPAMP.LBR	National Semiconductor opamps
NTC.LIB	Siemens thermistors
ONSEMI.LIB	ON Semiconductor Discrete Components
OP27.LIB	Used in one of the auto demos.
PASSIVE.LIB	Resistors
PCORE.LIB	Philips ferroxcube magnetic cores
PH_BJT.LIB	Philips Transistors
PH_DIODE.LIB	Philips Diodes
PH_FET.LIB	Philips JFETS
PH_MOS.LIB	Philips MOSFETS
PH_RFDEV.LIB	Philips RF transistors
PH_SHOT.LIB	Philips schottky diodes
PH_VCAP.LIB	Philips varactors
PMOPAMP.LBR	Precision Monolithics opamps
POLYFET.LIB	Polyfet RF MOSFETs
PROFMOS.LBR	Profusion MOSFETs
PROTEK.LIB	Voltage suppressor diodes
RECTIFIE.LIB	Motorola rectifiers

SHINDEN.LIB	Shendengen diodes
SIMID.LIB	Siemens inductors
SIOV.LIB	Siemens varistors
SKYWORKS.LIB	Varactor, tuning, Schottky, and mixer diodes
SMPS_CB.LIB	Switched-mode power supply models
STMICRO.LIB	Standard Microsystems linear opamps
TCORE.LIB	Tokin magnetic cores
THY_LIB.LIB	SCRs and Triacs
TI.LIB	Texas Instruments ICs
TIOPAMP.LBR	Texas Instruments opamps
TRANS.LIB	Transmission lines
TUBE.LIB	Vacuum tube models by Duncan Munro
UTILITY.LBR	Generic models, pulse and sine sources
VARACTOR.LBR	Varactor diodes
VISHAY.LIB	Siliconix MOSFETS
VISHAYDIODE.LIB	Vishay diodes
VISHAYINDUCTOR.LIB	Vishay inductors
VISHAYMOSFET.LIB	Additional Vishay MOSFETS
VMI_DIODES.LIB	Fast rectifier and zener diodes
XFMR.LIB	Transformers
XTAL.LIB	KDS crystals
ZASERIES.LIB	Harris ZA series varistors
ZETEX.LIB	Zetex diodes and transistors

Digital parts

74LV.LIB	74LV digital library
CMOS.LIB	CD4000 series digital ICs
DIGIO.LIB	Digital I/O interfaces
DIG000.LIB	74xx digital parts
DIG150.LIB	74xx digital parts
DIG167.LIB	74xx digital parts
DIG195.LIB	74xx digital parts
DIG250.LIB	74xx digital parts
DIG381.LIB	74xx digital parts
DIG604.LIB	74xx digital parts
DIG652.LIB	74xx digital parts
DIG874.LIB	74xx digital parts
DIGPLD.LIB	Programmable logic devices
ECL.LIB	ECL digital ICs

Files new to MC9 are shown in *italics*.

Schematic	Description
283	Use of digital primitives to model a 283 logic unit
381	Use of digital primitives to model a 381 logic unit
3D1	Use of 3D plots
3D2	Use of 3D plots
555ASTAB	Use of the 555 macro in an astable application
555MONO	Use of the 555 macro in a monostable application
A_BOOST_CM_OL	Boost current mode averaged model open loop plot
A_BOOST_CM_ZOUT	Boost current mode averaged model Zout plot
A_BOOST_VM	Boost voltage mode averaged model open loop plot
A_BUCK_CM	Buck current mode averaged model open loop plot
A_BUCK_VM	Buck voltage mode averaged model open loop plot
A_BUCKBOOST	Buckboost current mode averaged model open loop plot
A_FLYBACK	Flyback voltage mode averaged model open loop plot
A_FORWARD	Forward voltage mode averaged model open loop plot
A_NCP	NCP1200 Converter
A_RESO_DC	Resonant converter DC analysis
A_RESO_OL	Resonant converter averaged model open loop plot
A_SEPIC	Single Ended Primary Inductance Converter
AD16	AtoD and DtoA elements
<i>AMTEST1</i>	<i>AM macro usage</i>
ANIM3	Animation components
ANIM4	Animation components
ANIM5	Animation components
ANIM6	Animation components
ANIM7	Animation components
BAX	Steps a resistor to model a pot element
BPFILT	Analysis of a bandpass filter
BUTTERN	Use of a Laplace source to represent a Butterworth filter
<i>BUFFER</i>	<i>Used to illustrate the Waveform Buffer</i>
CARLO	Monte Carlo routines in transient and AC analysis
CARLO2	Monte Carlo routines in DC analysis
CARLO4	Monte Carlo routines in transient and AC analysis
CHOKE	Analysis of a diode choke circuit
CMOS	MOSFETs in an inverter configuration
<i>CMOS_COUNTER</i>	<i>Hierarchically-organized CMOS counter</i>

Schematic	Description
COLPITTS	Analysis of a colpitts oscillator
COMPDEMO	Comparator macro
CORE	Use of the core model and plotting a BH curve
CORE3	Use of the nonlinear core model with multiple inductors
COUNTER	Analysis of a binary counter
COUNTER2	Analysis of a BCD counter
CROSSOVR	Analysis of a passive 1kHz cross-over network
CURVES	BJT IV curves
DECODER	Use of a digital subcircuit as a decoder
DIAC1	Characteristic curves for a DIAC
DIAC2	Dimmer circuit using a DIAC and a TRIAC. Illustrates stepping of a component variable.
DIFFAMP	Analysis of a differential amplifier
DIG_POWER	How to change the digital power supplies
DIRA	Use of the operators d, avg, sum, and rms
ECLGATE	Analysis of an analog equivalent ECL gate
EYE_DIAGRAM	How to do an eye diagram plot
F1	Use of the VCO macro
F2	Use of a nonlinear function source
F3	Use of a nonlinear function source
F4	Use of the Triode macro
FFT1	Use of DSP and complex operators
FFT3	Use of cross-correlation and auto-correlation operators
FFT4	Use of the IFT operator
FFT5	Use of the auto-correlation operator
FFT7	Use of the DSP dialog box to eliminate startup transients
<i>LINKS</i>	<i>Illustrates the use of file links.</i>
FILTER	Chebyshev filter and use of the Noise macro
FSK2	Use of the FSK modulator macro
FSTIM8	Use of the file stimulus component
GASFET	Use of the GaAsFET component
GILBERT	Analysis of a Gilbert multiplier
GUMMEL	Use of the Gummel-Poon SPICE BJT model
GYRTEST	Use of the gyrator macro
<i>IBIS3</i>	<i>IBIS component usage</i>
IDEALTRANS	IDEAL2 and IDEAL3 transformer macros
IVBJT	Use of DC analysis to plot the IV curves of a BJT
L1	Use of a Laplace source to model a passive network
L2	Use of Laplace sources to model transmission lines
L3	Use of a Laplace source to model a Butterworth filter

Schematic	Description
LM117REG	Using the LM117 model
<i>LP8</i>	<i>8'th order IIR digital filter using Z sources</i>
LTRA3	Use of the lossy transmission line
MIXED	Analysis of a mixed-mode circuit
MIXED1	Analysis of a mixed-mode circuit
MIXED4	Analysis of a mixed-mode circuit
MODELRLC	Use of temperature stepping
MOSCAPS	Plotting of MOSFET capacitance curves
MOSDIFF	Analysis of a MOSFET differential amplifier
NOISEBJT	Plotting of input and output noise
NPORT4	N-PORT device
NYQUIST	Plotting of a Nyquist graph
O7	Analysis of a mixed-mode circuit
OPAMP1	Use of the three levels of opamps
OPT1	Using the Optimizer to maximize power transfer
OPT2	Using the Optimizer to maximize low frequency gain
OPT3	Using the Optimizer to design matching networks
OPT4	Using the Optimizer in curve fitting
OSC1	Use of the Schmitt macro in an oscillator
P1	Use of the Laplace table source for a RC network
PERF1	Demonstrates the use of performance plots
PERF2	Demonstrates the use of performance plots
PLA2	Use of a PLA subcircuit as an equality comparator
PLA3	Use of the PLA digital primitive
POTDEMO	Use of the pot macro
PRINT	Use of the print preview for the schematic
PRLC	Analysis of a simple passive network
PSK2	Use of the PSK modulator macro
RCA3040	Analysis of a RCA3040 component
<i>RECTIFIER_45</i>	<i>Three-phase SCR converter</i>
RELAY	Using the relay models
RISE	Use of Monte Carlo routines for rise times
S_2FLY_CM	Two-Switch Flyback Converter
S_2FOR_CM	Two-Switch Forward Converter
S_BOOST_CM	Boost Current Mode Converter
S_BOOST_VM	Boost Voltage Mode Converter
S_BUCK_CM	Buck Current Mode Converter
S_BUCK_SYN	Synchronous Buck Voltage Mode Converter
S_BUCK_SYN2	Synchronous Buck Current Mode Converter
S_BUCK_VM	Buck Voltage Mode Converter

Schematic	Description
S_BUCKBOOST_CM	Buck-Boost Current Mode Converter
S_BUCKBOOST_VM	Buck-Boost Voltage Mode Converter
S_FLYBACK_CM	Flyback Current Mode Converter
S_FLYBACK_VM	Flyback Voltage Mode Converter
S_FORWARD_CM	Forward Current Mode Converter
S_FORWARD_VM	Forward Voltage Mode Converter
S_FULL_CM	Full Bridge Current Mode Converter
S_FULL_VM	Full Bridge Voltage Mode Converter
S_FULL_XFMR	Full Bridge with XFMR Current Mode Converter
S_HALF_CM	Half Bridge Current Mode Converter
S_HALF_VM	Half Bridge Voltage Mode Converter
S_HALF_XFMR	Half Bridge with XFMR Current Mode Converter
S_NCP	NCP1200 Converter
S_PUSH_CM	Push-Pull Current Mode Converter
S_PUSH_VM	Push-Pull Voltage Mode Converter
SH2	Sample and hold component.
SMITH	Smith chart
SPAR1	Use of the N_Port device. Importing S-parameters from a Touchstone file. Use of Smith charts.
SPARK	Spark-gap macro usage
STIM_DEMO	Digital stimulus generators
STIMSAMP	Digital stimulus generators
STIMTST2	Stim generator in counting from 0 to F
STIMTST3	INCR command in a Stim generator
STIMTST4	Random characters in a Stim generator
SUBCKT	Use of an analog subcircuit
SUBCKT1	Adding subcircuits to the library
SWITCH	Use of the three types of the Switch component
SYSTEM1	Analysis of a mechanical system
SYSTEM2	Analog behavioral modeling components
T1	Nonlinear table sources
TIMER	Timer device
THY1	Use of the Put, Triac, and SCR macros
THY2	Analysis of a SCR phase control
TL1	Use of transmission line and plotting line variables
TL2	AC simulation of a transmission line
TL3	Plotting the input small signal impedance
TRANS	Use of the three methods of implementing a transformer
TTLINV	Use of mixed mode analysis
TUBE_AMP	Vacuum tube amplifier

Schematic

TUBE6L6
UA709
UA723REG
UA741
USER
USER2
XTAL1
ZDOMAIN

Description

Vacuum tube circuit
Analysis of a UA709 opamp
Using the UA723 model
Analysis of a UA741 opamp
User source
Multiple user sources
Crystal macro
Z transform source

SPICE files

ASTABLE.CKT
CHOKE.CKT
ECLGATE.CKT
PLA1.CKT
PLA2.CKT
RCA3040.CKT
RTLINV.CKT
SCHMITT.CKT
TTLINV.CKT
UA709.CKT
UA741.CKT

Description

Analysis of a SPICE circuit
SPICE netlist of CHOKE.CIR
SPICE netlist of ECLGATE.CIR
Use of a PLA subcircuit in a SPICE file
The PLA subcircuit that is used in PLA2
SPICE netlist of RCA3040
Analysis of a SPICE RTL inverter
Analysis of a SPICE Schmitt trigger
SPICE analysis of a TTL inverter
SPICE netlist of UA709
SPICE netlist of UA741

Appendix D Accelerator keys

General

Alt+Backspace	Undo
Alt+F4	Exit Program
Alt+Z	Statistics
Ctrl+Num+	Zoom-In
Ctrl+Num-	Zoom-Out
Ctrl+0	Main Tool Bar
Ctrl+1-9	Component Palette 1-9
Ctrl+A	Select All
Ctrl+C	Copy
Ctrl+Delete	Clear Cut Wire
Ctrl+F	Find
Ctrl+F4	Close Open Window
Ctrl+F6	Next Window
Ctrl+Insert	Copy
Ctrl+N	New File
Ctrl+O	Open File
Ctrl+P	Print
Ctrl+S	Save File
Ctrl+Alt+R	Revert File
Ctrl+V	Paste
Shift+Insert	Paste
Ctrl+X	Cut
Ctrl+Y	Redo
Ctrl+Z	Undo
Ctrl+Shift+B	Bill of Materials
Ctrl+Shift+F	Find Component
Ctrl+Shift+G	Global Settings
Ctrl+Shift+I	IBIS Translator
Ctrl+Shift+P	Preferences
Ctrl+Shift+W	Print Active Window
Del	Clear
F1	Help
Alt+F10	Default Properties
F10	Properties
Shift+F4	Tile Vertical
Shift+F5	Cascade

Schematic / Text Area

Delete	Delete selected objects
Alt+1	Transient Analysis
Alt+2	AC Analysis
Alt+3	DC Analysis
Alt+4	Dynamic DC
Alt+5	Dynamic AC
Alt+6	Transfer Function
Alt+7	Sensitivity
Alt+8	Distortion
Ctrl+B	Move text
Ctrl+Delete	Delete wires at box
Ctrl+End	Lower Right Schematic
Ctrl+F	Find
Ctrl+Alt+1	Probe Transient
Ctrl+Alt+2	Probe AC
Ctrl+Alt+3	Probe DC
Ctrl+D	Component Mode
Ctrl+E	Select Mode
Ctrl+G	Toggle Drawing/Text
Ctrl+H	Help Mode
Ctrl+Home	Upper Left Schematic
Ctrl+I	Info Mode
Ctrl+M	Make Macro
Ctrl+R	Rotate Box
Ctrl+W	Wire Mode
Ctrl+Shift+R	Toggle Rubberbanding
Ctrl+Left	Pan Left
Ctrl+Right	Pan Right
Ctrl+Up	Pan Up
Ctrl+Down	Pan Down
PgUp	Pan Up One Page
PgDn	Pan Down One Page
Ctrl+PgUp	Pan Left One Page
Ctrl+PgDn	Pan Right One Page

Ctrl + } Match Parenthesis
 F3 Repeat Last Find

Text Area / Text File

Alt+F1 SPICE Help
 Ctrl+D Delete Line
 Ctrl+L Set to Lowercase
 Ctrl+U Set to Uppercase

Schematic / Analysis

Ctrl+T Text Mode
 Spacebar Toggle between Select mode and current mode

Analysis

Ctrl+N Normalize
 Ctrl+F9 Delete All Plots - Probe
 Ctrl+F11 Optimize
 Ctrl+Home Restore Scale Limits
 Ctrl+I Intercept Tracker
 Ctrl+L Tag Left Cursor
 Ctrl+M Mouse Tracker
 Ctrl+N Normalize at Cursor
 Ctrl+R Tag Right Cursor
 Ctrl+Shift+C Cursor Tracker
 Ctrl+Shift+H Tag Horizontal
 Ctrl+Shift+V Tag Vertical
 Ctrl+Shift+X Go to X
 Ctrl+Shift+Y Go to Y

F2 Run Analysis
 F3 Exit Analysis
 F4 Analysis Window
 F5 Numeric Output
 F6 Auto Scale
 F7 Scale Mode
 F8 Cursor Mode
 F9 Limits
 F11 Stepping
 F12 StateVariables Editor
 Down Arrow Left Cursor Down a Branch

Left Arrow Left Cursor to Left
 Right Arrow Left Cursor to Right
 Up Arrow Left Cursor Up a Branch

Shift+Dn Arr Right Cursor Down a Branch
 Shift+Lft Arr Right Cursor to Left
 Shift+Rt Arr Right Cursor to Right
 Shift+Up Ar Right Cursor Up a Branch

Ctrl+Down Arr Pan Plot Down
 Ctrl+Left Arr Pan Plot Left
 Ctrl+Right Arr Pan Plot Right
 Ctrl+Up Arrow Pan Plot Up
 Ctrl+W Watch Mode
 Alt+Home Place Cursor on Top Branch
 Alt+End Place Cursor on Bottom Branch

3D Plot

Q Clockwise X
 A Counterclockwise X
 W Clockwise Y
 S Counterclockwise Y
 E Clockwise Z
 D Counterclockwise Z
 C Toggle Contour / 3D
 X Perpendicular to x=0
 Y Perpendicular to y=0
 Z Perpendicular to z=0

Index

Symbols

!= operator 756
.AC 766
.ARRAY 767
.DC 769
.DEFINE 770
.ELIF 772
.ELSE 772
.END 773
.ENDIF 773
.ENDS 772, 773, 789
.ENDSPICE 774
.FUNC 774, 775
.HELP 775
.IC 775, 782
.IF 776
.INCLUDE 62
.LIB 62, 133, 479, 777
.MACRO 480, 777, 778
.MODEL 777, 779, 781
.NODESET 776, 782
.NOISE 783
.OP 783
.OPTIONS 781, 784
.PARAM 784
.PARAMETERS 785
.PATH 786
.PATH DATA 786
.PATH DOCUMENT 786
.PATH LIBRARY 786
.PATH PICTURE 786
.PLOT 786
.PRINT 786
.SENS 787
.SPICE 787
.STEP 788
.SUBCKT 603, 777, 789
.TEMP 791
.TF 791
.TIE 791
.TR 792
.TRAN 793
.WARNING 793
.WATCH 795

<= operator 756
<> operator 756
< operator 756
== operator 756
>= operator 756
> operator 756
3D 318
 Contour plot 324
 Cursor mode 328
 Isolines 324
 Plot patches 325
 Plots 156, 174, 188, 272, 322
 Windows 156, 174, 188
 X axis 323
 Y axis 323
 Z axis 323
3D plots 101
555 macro 379

A

ABS function 758
ABS macro 335
ABSTOL 66, 863
AC Analysis 104, 148, 165, 166,
 476, 764, 782, 783
Accel PCB interface 73, 144
Accessing models 736
Accumulate Plots comand 147, 155, 165,
 173, 181, 187
Accuracy in FFT functions 869, 875
AC function 757, 874
Acker-Mossberg filter 830
ACM (EKV area calculation method) 518
Acos function 755
Acosh function 755
Acot function 755
Acoth function 755
Acsch function 755
AC signal magnitude 178, 179
Active filter 830
ADC 675
Add page command 76
Add part command 800, 802
Add Parts wizard 134

- AKO keyword 779
- Align cursor 234
- AMP macro 336, 337
- Amps/Meter 472
- Analog behavioral modeling 111, 423
 - 437, 895
- Analog library 37, 81, 734
- Analog primitives 37, 81, 734
- Analysis Limits dialog box 150
 - Command buttons
 - Add 150, 168, 182
 - Delete 150, 168, 182
 - Expand 151, 168, 182
 - Help 151, 169, 183
 - Properties 151, 168, 182
 - Run 150, 168, 182
 - Stepping 151, 168, 182
 - Numeric limits field
 - Frequency range 169
 - Input 1 183, 184
 - Maximum change % 169, 170
 - Maximum time step 151
 - Noise input 170
 - Noise output 170
 - Number of points 151, 169, 184
 - Temperature 151, 170, 184
 - Time range 151
 - Variable 1 183
 - Options
 - Auto scale ranges 154, 173, 187
 - Normal run 153, 172, 186
 - Operating point 154, 173
 - Operating point only 154
 - Retrieve run 154, 172, 186
 - Save run 154, 172, 186
 - State variables options
 - Leave 154, 173
 - Read 154, 173
 - Zero 154, 172
- Analysis menu 104
- Analysis type variable 743
- And gate 646
- AND operator 756
- Animation 82, 117
- Arctan function 755
- Arithmetic functions 754
- Array variables 741
- Asec function 755
- Asech function 755
- AS function 757, 873
- Asin function 755
- Asinh function 755
- ASPEC method 521
- Atan2 function 755
- Atan function 755
- Atanh function 755
- Atn function 755
- Attribute dialog box 39
- Attributes
 - Dialog box 38, 39, 62
 - Editing 40
 - MODEL 40
 - Model list box 43
 - Number of attributes 39
 - PACKAGE 40
 - PART 40
 - Text display command 88
 - USER 40
- Attribute text mode 31
- Auto scale command 227
- Auto scale option 153, 172, 186
- Auto stepping 169
- Average performance tags 306
- AVG function 758

B

- B-H curve 474, 818
- Bandpass filters 106, 830
- Battery 399
- Bessel filter response 106, 830
- Bessel functions 759, 760, 763
- B field 255, 258, 472, 747, 753
- B field in Teslas 747
- Bill of Materials 40, 73
- BIN function 753
- Binning 508
- Bipolar transistor 400, 748
 - 780, 805, 812
- Bode plot 172
- Boolean functions 756

BOOLEAN keyword 699
 Boolean variables 691
 Border 31
 Border display command 89, 90
 Bottom cursor position mode 249
 Box 76
 Boyle OPAMP model 582
 Brace 87
 Breakpoints 156, 174, 188
 Bring to front command 79
 Browse command 41
 BSIM1 482, 488
 BSIM2 482, 489
 BSIM3 482, 491, 497
 BSIM4 482, 497
 Buffer gate 646
 Bus 30, 46, 86
 Bus connector 46
 Bus mode 28
 Butterworth filter response 106, 830

C

Calculator 85
 Capacitance 255, 258, 747, 753, 761
 Capacitor 415, 780
 CAPACITOR attribute 415
 Cascade command 84
 CASE statement 693
 CC function 757, 874
 CENTAP macro 338
 CGS magnetic units 472
 Change commands 77

- Attributes 77
- Color 77
- Fit to Standard Value 78
- Graphic object properties 77
- Properties 77
- Rename components 77
- Rename defines 78
- Reset node positions 78

 Change polarity command 802
 Charge 255, 258, 747, 753
 CHARGE attribute 415
 Chebyshev filter response 106, 830
 CHGTOL 66
 Circuit editor 23, 32
 Circuit tool bar 32
 Clear Accumulate Plots command 235
 Clear command 75
 Clear cut command 57
 Clear cut wire command 75
 Click 21
 Clipboard 60

- Clear command 60
- Cut command 60
- Paste command 60
- Schematic 60
- Text 60

 CLIP macro 339
 CLOCK statement 699
 Close command 74
 Coefficient of coupling 610
 COH function 757, 874
 Color menu 152, 171, 185
 Combinations command 42
 Command statements 765
 COMPARATOR macro 340
 Complex conductance function 259, 759
 Complex frequency 747, 764
 Complex impedance function 259, 760
 Complex numbers 171, 754, 764
 Complex power 178
 Complex value display 193
 Component 29

- Adding components to a schematic 37
- Component library
 - Adding components 123, 130
 - Adding subckts 123, 131
- Defined 27
- Editing components in a schematic 37
- Library 123
- Mode 38
- Variables 749

 Component Editor

- Add component command 125
- Add group command 125
- Additional pin fields 129
- Add Part Wizard 125
- Assign command 128
- Close command 126

- Component selector 129
- Cost field 127
- Definition field 127
- Delete command 126
- Display Pin Names/Numbers 128
- Display Value / Model Name 128
- Find command 126
- Grow command 126
- Import command 125
- Info command 126
- Memo field 127
- Merge command 124
- Model = Component Name field 132
- Move command 126
- Name field 127
- Palette field 127
- Parts List command 125
- Paste command 126
- Power field 127
- Redo command 126
- Shape field 127
- Shrink command 126
- Sort command 126
- Undo command 126
- View field 128
- Component library 479
- Component lists for filters 842
- Component menu 81
- Component panel 20, 83
- Condition display command 89
- CONJ function 757, 873
- Constants 743
- CONSTRAINT 626, 697
- Convergence 190, 859, 860
- Convergence Assist 92
- Convergence checklist
 - Circuit topology 862
 - Floating node 862
 - Increase GMIN 863
 - Increase ITL1 864
 - Increase RELTOL 863
 - Nonzero capacitors 863
 - No operating point 864
 - Ramp the supplies 864
 - Series current sources 862
 - Shorts and opens 862
 - Switches and inductors in series 863
 - Use NODESET command 865
 - Use the device .IC 865
 - Use the OFF keyword 865
 - Voltage sources in a loop 862
- Convolution 476
- Copy command 75
- Copy to clipboard command 75
- Copy to picture file command 76
- Core 472, 818
- Cos function 755
- Cosh function 755
- Cot function 755
- Coth function 755
- Coupled inductors 471
- Creating a circuit 36
- Cross-hair cursor 31
- Cross-hair display command 89
- Csc function 755
- Csch function 755
- CS function 757, 873
- CSHUNT 66
- Current 31, 257, 259, 261, 262, 747, 749, 753
- Current display command 89
- Current source 437, 451, 465
- Cursor mode 87, 223, 224
- Curve fitting with the optimizer 285
- CURVEX function 759
- CURVEY function 758
- Cut command 75

D

- DAC 679
- DATA statement 699
- dB operator 260, 756
- DC analysis 104, 105, 181, 476
- DD function 758
- DDT function 758
- DEC function 753
- DEFAD 66
- DEFAS 66
- Default package 144
- DEFL 66

- DEFW 66
- Delay expression 693
- Delay filters 106, 830
- DELAY function 759
- DELAY macro 341
- Delete page command 76
- Deleting schematic objects 57
- DEL function 758
- Dependent source (linear) 420
- Dependent source (SPICE) 271, 421
- Der function 758
- Derivatives 85, 758
- DEV tolerance 290, 418, 463, 593, 779
- DIAC macro 342
- DIF (differentiator) macro 343, 344
- DIFA function 759
- DIGDRVF 66, 624
- DIGDRVZ 66, 624
- DIGERRDEFAULT 66, 703
- DIGERRLIMIT 67, 703
- DIGFREQ 67
- DIGINITSTATE 67, 654
- DIGIOLVL 67
- Digital
 - Analog/digital interface 635
 - Interface circuits 638
 - Interface nodes 635
 - Interface power circuits 638
 - N device 724
 - O device 728
 - State characters 730
 - Behavioral primitive
 - Constraint checker 682, 697
 - Logic expression 682, 683
 - Pin-to-pin delay 682, 688
 - Delay line 667
 - Devices 621
 - DIGIO.LIB I/O library 638
 - Digital library
 - Digital Library section 38, 734
 - Digital Primitives section 37, 734
 - Edge-triggered flip-flop 654, 655
 - Functions
 - & (AND) 754
 - | (OR) 754
 - ~ (NOT) 754
 - Addition 754
 - BIN 754
 - DEC 754
 - DIV 754
 - HEX 754
 - MOD 754
 - OCT 754
 - Subtraction 754
 - XOR 754
 - Gated latch 654, 660
 - General primitive format 639
 - I/O model 635, 721
 - Levels 623
 - Library 682, 685
 - Logic gates
 - Standard compound gates 649
 - Standard gates 645, 646
 - Tri-state gates 645, 650
 - Multi-bit A/D converter 675
 - Multi-bit D/A converter 679
 - Nodes 622
 - Open-collector 625, 665, 693, 721
 - Pin symbols
 - Clock 121
 - Invert 121
 - Inverted clock 121
 - Normal 121
 - Open 121
 - Primitive devices 642
 - Programmable logic array 669
 - Propagation delays 626, 629
 - Delay ambiguity 631
 - Inertial delays 629
 - Loading delays 629
 - Pullup and Pulldown 665
 - Simulation engine 622
 - States 623, 747, 753, 754, 761
 - Stimulus devices
 - File stimulus (FSTIM) 705, 715
 - Stimulus generator (STIM) 705
 - Strengths 624
 - Timing hazards 633
 - Convergence hazards 633
 - Critical hazards 634

- Cumulative ambiguity hazards 633
- Timing models 626, 639
- Tri-state 624, 625, 626, 695
- TRISTATE keyword 689, 695, 696
- Unspecified timing constraints 628
- Digital filter 894
- Digital library 38, 81, 734
- Digital Path commands 63
- Digital primitives 81
- Digital pulldown device 637
- Digital pullup device 637
- DIGMNTYMX 67
- DIGMNTYSCALE 67, 627
- DIGOVRDRV 67
- DIGPOT macro 344
- DIGTYMXSCALE 67, 627
- Diode 426, 780, 811, 863
- Disabled object 42, 58
- Display
 - Average values 89, 97
 - Last values 89, 97
 - Peak values 89, 97
 - RMS values 89, 97
- Distortion analysis 217
- DIV macro 345
- DIV operator 754
- DLYLINE 629, 667
- Drag 21
- Drag copying 61
- Drawing/text toggle command 25
- Drawing area 25
- DRVH 624, 665, 722
- DRVL 624, 665, 722
- DT 743
- Dynamic AC analysis 192
- Dynamic Auto Run 92
- Dynamic DC analysis 191, 199, 200

E

- Edit menu 75
- EDT variable 744
- EGT variable 744
- EKV MOSFET Model 482, 510
- Elliptic filter response 106, 830
- Enabled object 42, 58
- ENABLE HI keyword 695
- ENABLE LO keyword 695
- ENDREPEAT keyword 456
- Energy 257, 262, 744, 747, 749, 762
- Energy dissipated variable 744, 747
- Energy generated variable 744, 747
- Energy stored variable 747
- Engineering notation 739
- ERRORLIMIT statement 703
- EST variable 744
- Exclusive-or gate 646
- EXP function 755
- EXPL function 755
- Expressions 737
 - Defined 738
 - Functions
 - Arithmetic 754
 - Boolean and relational 756
 - Signal processing 757
 - Transcendental 755
- Numbers
 - Engineering notation 739
 - Floating point numbers 739
 - International notation 739
 - Real 739
- Sample 761
- Variables
 - B field 747
 - B field in Teslas 747
 - Capacitance 747
 - Charge 747
 - Complex frequency 747
 - Current 747
 - Digital state 747
 - Energy 744, 747
 - Flux 747
 - Frequency 747
 - H field 747
 - Inductance 747
 - Input noise 747
 - Output noise 747
 - Power 744, 747
 - Resistance 747
 - Time 747
 - Voltage 747

Eye diagram plots 158

F

Factorial function 759, 763
Fall time function 303
FFT function 242, 757, 762, 868, 871
FFTS function 872
FFT windows 156
File Link 30
File Link field 733
File Link mode 88
File links 731
File menu 70
 New command 70
 Open command 70
 Paths 70
 Save as command 70
 Save command 70
Files
 Circuits 892
 Libraries 889–891
 Types 887–888
Filter designer 38, 82, 106, 829
Find command 79, 82
Find in Files command 80
Fit to Standard Value 42, 78
Flag 27, 30, 54, 87
Fleischer-Tow filter 830
Flip-flops 654, 655
Flip X command 76
Flip Y command 54, 76, 77
Floating nodes 862
Floating point numbers 739
Flux 258, 747, 753
FLUX attribute 460
Flux expressions 461
Fmax 743
Fmin 743
Formula text 51
Fourier analysis 867
Fourier transform 476, 613, 757,
 762, 873
FREQ attribute 166
FREQ keyword 701
Frequency 260, 743, 747, 753, 764

Frequency dependent parameters 417,
 438, 462, 592
Frequency function 304
Frequency list 193
FS (Fourier series) function 872
FSK macro 347
Function source 62, 271, 436, 761
Fundamental frequency 219, 871

G

G (complex conductance) 259, 759
G-Parameters 580
GaAsFET 440, 748, 780
Gauss 472
Gaussian distribution 292, 296
Gaussian source 459
Gear integration 69
GENERAL keyword 702
Global node names 745
Global Settings 66, 103, 743, 802
Global variables 740, 745
GMIN 67, 743, 863
Golden Waveforms (IBIS) 823
Go to performance command 234
Go to X command 234
Go to Y command 234
Graphics mode command 86
Graphics object 25, 27, 30, 37, 230
Grid 31
Grid text 25, 48, 55
Grid text display command 88
Grid text mode 31
Group delay 177, 260, 756
Gummel Poon model 400
GYRATOR macro 348

H

H-Parameters 580
HARM function 221, 757, 870
Help mode command 30, 62, 88
Help System 110
HEX function 753
H field 255, 472, 747, 753
H field in Oersted's 747

Hidden pins 129
High pass filters 106, 830
High X function 304
High Y function 305
HOLDTIME_HI statement 700
HOLDTIME_LO statement 700
HOLDTIME statement 700
Horizontal cursor 99, 232, 241
Horizontal tag 87
Horizontal tag command 224
HSPICE 26, 523
Hysteresis (digital) 730
Hysteresis in switch model 595, 616

I

I/O model 721
IBIS 42, 47, 73, 819
IBIS component 445
IDEAL_TRANS2 macro 349
IDEAL_TRANS3 macro 350
IF function 757
IFT function 757, 762, 873
IFTS function 873
IGBT 446
IGBT Hefner model 889
IHD function 221, 757, 871
IMAG function 757
Imaginary part operator 260, 756
Impedance scale factor of a filter 836
IMPORT function 759, 763
Import wizard 136
Impulse response 476
Independent source 451
 EXP type 452
 Gaussian type 459
 Noise type 458
 PULSE type 453
 PWL type 456
 SFFM type 454
 SIN type 455
Inductance 255, 258, 747, 761
INDUCTANCE attribute 460
Inductance expressions 461
Inductor 460, 780
Inertial cancellation 91, 629

Inertial delays 629
Info 30
Info command 62, 88
Initialization 148, 417, 462, 654
 How it works 157
 Run 157
 Setup 157
INLD 721
INOISE 177, 259, 743, 747, 764, 783
Input impedance measurement 208
Integration 69
Integration function 758
Integrator macro 351, 352
International notation 739
INT macro 351, 352
Inverse-Chebyshev filter response 106
Inverse-Chebyshev response 830
Inverse Fourier transform 762
Inverter gate 646
Isource 465
ITL1 67
ITL2 67
ITL4 67
IV curves 190

J

J constant 743
JEDEC file 672
JFET 466, 748, 780, 814
JKFF 655
JN function 759

K

K device 470
Keep cursor on same branch 234
Key ID 110
KHN filter 830

L

Label Branches command 758
Lambert W function 737, 760
Laplace source 62, 166, 271, 475, 761
LAST function 759
Legendre function 737, 760

LIMIT function 757
 Linear analysis 166
 Linearizing 166
 Linear plots 152, 171, 185
 Linear stepping 169, 183, 268
 Link field 733
 List stepping 169, 183, 268
 LN function 755
 Load MC file 74
 Local truncation error 149
 Local variables 740, 745
 LOG10 function 755
 LOG function 755
 LOGICEXP 683
 Log plots 152, 171, 185
 Log stepping 169, 183, 268
 LONE 67
 LOT tolerance 290, 418, 463,
 593, 770, 779
 Low pass filters 106, 830
 Low X function 305
 Low Y function 305
 LTHRESH 67
 LZERO 67

M

Macro 479, 735, 785
 Macro Drill Down command 92, 264
 MAG function 757
 Magnetic core 471
 Magnitude operator 260, 756
 Main tool bar 32
 Matching parameters 517
 Matching with the optimizer 282
 Mathematical operators and func-
 tions 754, 764
 MAXFREQ statement 702
 MAX function 757
 Maximize command 84
 Maximum percentage error 278, 803
 Maximum percentage per-iteration
 error 803
 Maximum relative per-iteration
 error 278, 803
 Maximum Time Step 151
 MAXR function 759
 Measurement temperature 403, 418, 428,
 442, 463, 468, 485, 593, 781, 791
 Menus 22, 32
 MESSAGE statement 703
 Mextram bipolar model 406
 MFB filter 830
 MIN_HI statement 701
 MIN_LO statement 701
 MINFREQ statement 702
 MIN function 757
 Minimize button 20
 MINR function 759
 Mirror box command 76
 Mirroring schematic objects 56
 MNTYMXDLY 64, 631
 Mode
 Bus 30
 Component 29
 Diagonal wire 30
 File Link 30
 Flag 30
 Graphics 30
 Help 30
 Info 30
 Picture 30
 Point to end paths 30
 Point to point paths 30
 Region Enable 30
 Text 29
 Mode commands 86
 Model Editor 62, 107, 108
 Add command 109
 Copy command 109
 Delete command 109
 Go To command 109
 Memo field 109
 Merge command 109
 Name field 109
 Pack command 109
 Part selector 109
 Type Selector 109
 Model equations 381
 Modella bipolar model 411
 Model library 36, 108, 778

- Binary form 108
- Text form 108
- Model parameters 381
- MODEL program 108
- Model program 797
- Model statements 381, 735, 779
- MODEL window 798
- MOD operator 754
- Monte Carlo 69, 265, 289, 418, 593
 - Distributions
 - Gaussian 296
 - Uniform 296
 - Worst case 296
 - How it works 290
 - Options
 - Distribution to Use 297
 - Number of Runs 297
 - Report When command 297
 - Seed 298
 - Status 297
 - Standard deviation 296
 - Tolerance dialog box 298
 - Tolerances
 - DEV 290
 - LOT 290
- MOSFET 263, 481, 748, 780, 815, 863
- Moving schematic objects 54
- MUL macro 354
- Mutual inductance 610

N

- N_Port device 580
- Naming nodes 29, 59, 745
- Nand gate 646
- NAND operator 756
- Navigating 65
 - Centering 65
 - Flagging 65
 - Page scrolling 65
 - Panning 65
 - Scaling 65
 - Scrolling 65
- N device 724
- Netlist 40, 85
- New circuit command 36
- Node connections 45, 59
- Node name 29, 59, 745
- Node number 745
- Node number assignment 59
- Node numbers 31
- Node numbers display command 88
- Node snap 45, 59
- NODE statement 701
- Node voltages display command 31, 88
- Noise 177, 405, 419, 429, 444, 464, 469, 594, 597, 618, 747, 783
- NOISE macro 355
- Noise source 458
- NOM.LIB 734, 777
- Nonconvergence causes
 - Bistable circuits 861
 - Incorrect modeling 861
 - Model discontinuities 861
- NOOUTMSG 69
- Nor gate 646
- Normalize at cursor command 233
- Normalize at maximum command 234
- Normalize at minimum command 233
- NORM function 759
- NORMMAX function 759
- NORMMIN function 760
- NOR operator 756
- Notch filters 106, 830
- NOT operator 756
- Number of points 151, 766
- Numeric output 156, 161, 163, 174, 175, 188, 189, 786
 - DC 184
 - Transient 151
- Nyquist plot 172

O

- Object Editor 120
 - Object list box 120
 - Object parameters 121
 - Pin selector 121
- Objects 27
- OCT function 753
- O device 728
- Oersteds 472

Old Micro-Cap file formats 73
 ONOISE 177, 259, 743, 747, 764, 783
 Opamp 582, 817
 Open-collector 625, 637, 665, 693, 721
 Operating point 148, 173, 776
 Operating temperature 403, 418, 428,
 442, 463, 468, 485, 593, 781,
 791
 Optimizer 156, 174, 188, 273
 OPTIONAL keyword 603, 789
 OrCad PCB interface 73, 144
 Or gate 646
 Orienting a part 38
 OR operator 756
 OUTLD 721
 Output impedance measurement 208

P

Package
 Editor 142
 Library 141
 Package editor 85, 141, 142
 Add command 142
 Add Complex command 142
 Adding basic packages 145
 Adding complex packages 146
 Close command 143
 Component field 143
 Delete command 142
 Duplicate command 142
 Find command 143
 Gate field 144
 Help command 143
 Merge command 143
 Package field 143
 Package selector 144
 PCB field 144
 Pin Cnt field 143
 Pin Name field 144
 Package library 732
 PADS PCB interface 73
 Page 25, 65, 76
 Page selector tabs 33
 Panning 65, 226
 PARAMS keyword 603, 790

Part rotation 38
 Paste command 75
 Paths 786
 DATA 70
 DOCUMENT 70
 LIBRARY 70, 735, 736, 778
 PICTURE 70
 PCB 41
 PCB interface 73, 141
 PDT variable 744
 Peak valley function 304
 Peak X function 303
 Peak Y function 303
 PERFORM_M 68, 309
 Performance
 Functions 302
 Dialog box 307
 Fall_Time 303
 Frequency 304
 High X 304
 High Y 305
 Low X 305
 Low Y 305
 Peak_Valley 304
 Period 304
 Phase Margin 306
 Rise_Time 303
 Slope 306
 Width 304
 X delta 305
 X Level 305
 X range 305
 Y delta 305
 Y Level 305
 Y range 306
 Plots 156, 174, 188, 302, 310
 Windows 156, 174, 188
 Performance functions 300
 Period function 304
 PGT variable 744
 Phase 177
 PHASE function 757
 Phase margin function 306
 Phase operator 260, 756
 Phillips JUNCAP2 model 430

- Phillips JUNCAP model 430
- Phillips MOSFET Model 11 527
- Phillips MOSFET Model 20 543
- Phillips MOSFET Model 31 550
- Phillips MOSFET Model 40 553
- Phillips PSP MOSFET model 556
- PI constant 743
- Picture mode 30, 76
- Pin connections 31
- Pin connections display command 89
- PINDLY 626, 688, 695
- PIVREL 68
- PIVTOL 68
- P key 160
- PLA 669
- PLAND 671
- PLANDC 671
- PLD 669
- PLNAND 671
- PLNANDC 671
- PLNOR 671
- PLNORC 671
- PLNXOR 671
- PLNXORC 671
- PLOR 671
- PLORC 671
- Plot group number 152, 153, 171, 185
- Plot properties dialog box 322
- PLXOR 671
- PLXORC 671
- PN function 760
- Point 21
- Point tag command 225
- Point tags 87, 224
- Point to end mode 88
- Point to end mode command 30
- Point to point mode 88
- Point to point mode command 30
- Polar plot 171
- Poles of a filter 833
- Polynomial coefficients 424
- POT macro 358
- Powell's method 797
- Power 31, 258, 261, 262, 744, 747, 749, 762
- Power display command 89
- Power dissipated variable 744, 747
- Power generated variable 744, 747
- Power stored variable 744, 747
- POW function 755, 756
- Preferences command 90
 - Auto Save 95
 - Color Palettes 94
 - Combinations 96
 - Common options
 - File warning 95
 - Quit warning 95
 - Component Palettes 95
 - Format 94
 - Main Tool Bar 95
 - Options Analysis
 - Add DC Path to Ground 91
 - Analysis Progress Bar 92
 - Convergence Assist 92
 - DC Path to Ground Check 92
 - Derivative Threshold 92
 - Dynamic Auto Run 92
 - Floating Nodes Check 91
 - Inertial Cancellation 91
 - Macro Drill Down 92
 - Plot on Top 92
 - Select Curve Color 91
 - Select Mode 92
 - Options Circuit
 - Automatically Add Opamp Power Supplies 93
 - Auto Show Model 93
 - Block Select Display Mode 93
 - Component Cursor 93
 - Component Import 94
 - Copy / Paste Model Information 93
 - Element Info 93
 - File Link Default 94
 - Node Highlight 94
 - Node Snap 93
 - Nodes Recalculation Threshold 94
 - Rubberbanding 93
 - Select Mode 94
 - Text Increment 92

- Options General
 - Add Parentheses to Define 90
 - Component List Size 91
 - Component Menu Shape Display 91
 - Date Stamp 90
 - File List Size 90
 - Print Background 90
 - Show Full Paths 91
 - Sort Model Parameters 90
 - Sound 90
 - Time stamp 90
 - Use Bitmaps in Menus 90
 - Warning Time 90
- Panel/Window Tabs 95
- Shortcuts 94
- Slider 96
- Status Bar 94
- Style 96
- Warnings 95
- Print command 74
- Print preview command 74
- Print setup command 74
- PRIVATEANALOG 69, 268, 271, 291
- PRIVATEDIGITAL 69, 268, 271, 291
- Probe 253, 254
 - 3D Windows 256
 - AC analysis 105
 - Add Curve 255
 - Analog variables 262
 - Analysis Limits dialog box 254
 - DC analysis 105
 - Delete All Curves 255
 - Delete Curves 255
 - Exit Probe 256
 - FFT Windows 256
 - Limits 255
 - Linear scale 258, 260, 261
 - Log scale 258, 260, 261
 - Macro Drill Down 264
 - Many Curves 255
 - One Curve 255
 - Operating Point Methods 255
 - Performance Windows 256
 - Plot Group 256
 - Plot properties dialog box 254
 - Reduce Data Points 255
 - Regions 263
 - Run command 255
 - Save All 255
 - Save V and I Only 256
 - Scope / Go Up a Level 264
 - Separate Analog and Digital 255
 - Slider 256
 - Stepping 255
 - Transient analysis 105
 - Variables 259, 261
- Probing SPICE files 263
- PROD function 760
- Properties
 - Selecting Default Values 247
 - Setting Default Values 247
- Properties dialog box 151, 168, 182, 236
- Protel PCB interface 73, 144
- PSK macro 359
- PSpice 26, 421, 622
- PST variable 744
- PULLDN 626, 665
- PULLUP 626, 665
- Pulse source 589
- PUT macro 360
- PWL source 451, 456
- PWM macros 361
- PWR function 756
- PWRS function 756

Q

- Q (charge) 747, 753
- Quadratic temperature factor 402, 417, 427, 462, 489, 515, 592
- Q value of a filter 833

R

- R_NODE_GND 68
- Rainbow option 240
- Random
 - Macro 355
 - Number function 68, 760
 - Number generators for models 780
 - Number seed 298, 458

- Parameter, noise analog source 458
- Parameter, noise digital source 708
- Thermal noise 177
- REAL function 757
- Real numbers 739, 754
- Real part operator 260, 756
- Recent files list 74
- Redo command 57, 75
- Reduce data points 156, 174, 188
- Reference functions 691
- Region Enable 30, 58
- RELAY1 macro 362
- RELAY2 macro 363
- RELTOL 68, 476, 596, 860, 863
- REPEAT FOREVER keyword 456
- REPEAT keyword 456
- Repeat last find command 80
- Replace command 80
- RES (residue) function 872
- Resistance 258, 747, 753
- Resistor 591, 780
- Resolution in FFT functions 869
- RESONANT macro 364
- Retain waveform command 232
- Reverse breakdown 427
- Revert command 74
- RMIN 68
- RMS function 758
- RMS performance tags 306
- RNDC function 760, 763
- RND function 760, 763
- RNDI function 760
- RNDR function 760, 763
- Rotate command 54, 76
- RSHUNT 68
- Rubberbanding 93

S

- S-Parameters 580
- Sallen-Key filter 830
- Same Y scales command 233, 235
- Sample and hold device 607
- Sample and hold source 598
- Sample variables 753
- Scale mode 87, 224

- Scaling
 - Auto 227
 - Restore limits scales 227
- Schematic editor 32
- Schematics 25, 36
- SCHMITT macro 365
- Scope 223
 - Commands
 - Align Cursors 234
 - Animate Options 233
 - Auto Scale 231
 - Auto Scale Visible Region 231
 - Clear Accumulated Plots 235
 - Cursor Functions 232
 - Delete All Objects 231
 - Enable X Scaling 235
 - Enable Y Scaling 235
 - Envelope 233
 - Go to Branch 234
 - Go to Performance 234
 - Go to X 234
 - Go to Y 234
 - Go Up a Level 231
 - Horizontal cursor 99, 232, 241
 - Keep Cursors on Same Branch 234
 - Keep X Scales the Same 235
 - Label Branches 232
 - Label Data Points 233
 - Normalize at Cursor 233
 - Normalize at Maximum 234
 - Normalize at Minimum 233
 - Restore Limit Scales 231
 - Same Y scales 238, 239
 - Same Y Scales For Each Plot
 - Group 235
 - Tag Horizontal 234
 - Tag Left Cursor 234
 - Tag Right Cursor 234
 - Tag Vertical 234
 - Thumb Nail Plot 233
 - Trackers 232
 - View 231
 - View baseline 99, 232, 241
 - View data points 99, 231, 241
 - View horizontal grids 99, 232

- View minor log grids 99, 232, 241
- View ruler 99, 231, 241
- View tokens 99, 231, 241
- View vertical grids 99, 232
- Waveform Buffer 232
- Cursor positioning modes 248
 - Bottom 249
 - High 248, 249
 - Next 248, 250, 251
 - Peak 248
 - Top 249
 - Valley 248
- Scope / Go Up a Level command 264
- SCR macro 366
- SD 68, 296
- SD function 758
- SDT function 758
- Sec function 755
- Security key 110
- Seed 68, 298
- Select 34
 - All objects 35
 - Definition 21
 - Menu
 - Keyboard 22
 - Mouse 22
 - Mode 86
 - Multiple contiguous objects 34
 - Multiple non-contiguous objects 34
 - Select all command 75
 - Selection state 34
 - Single objects 34
- Send to back 79
- Sensitivity analysis 211, 212
- SERIES function 760, 763
- SETUP_HOLD keyword 699
- SETUP statement 699
- SETUPTIME_HI statement 700
- SETUPTIME_LO statement 700
- SGN function 760
- Shape Editor 113
 - Add command 114
 - Arc mode 116
 - Block mode 116
 - Clear command 116
 - Close command 115
 - Closed polygon mode 116
 - Copy command 115
 - Cut command 115
 - Delete command 114
 - Diamond mode 116
 - Ellipse mode 116
 - Fill mode 118
 - Flip X command 119
 - Flip Y command 119
 - Font command 119
 - Grow command 118
 - Help command 115
 - Included shape mode 117
 - LED mode 117, 118
 - Line mode 116
 - Mirror command 119
 - Next object command 119
 - Open polygon mode 117
 - Outline mode 118
 - Pan mode 116
 - Paste command 115
 - Rectangle mode 116
 - Revert shape command 114
 - Rotate command 119
 - Select mode 116
 - Seven Segment mode 117
 - Shrink command 118
 - Switch mode 117
 - Text mode 117
 - Tool bar 115
 - Top command 119
 - Undo command 115
- Shape groups 97
- Shape library 122, 732
- Short-distance matching 526
 - BSIM3 509
 - BSIM4 509
 - EKV 517, 526
- Show
 - Average values 31
 - Last values 31
 - Peak values 31
 - RMS values 31
- Show all paths command 90

- Shuttle command 25, 50, 60
- Signal processing functions
 - AC function 874
 - AS function 873
 - CC function 874
 - COH function 874
 - CONJ function 873
 - CS function 873
 - FFT function 757, 871
 - FFTS function 872
 - FS function 872
 - HARM function 757, 870
 - IFT function 757, 873
 - IFTS function 873
 - IHD function 757, 871
 - RES function 872
 - THD function 757, 870
- SI magnetic units 472
- Sine source 600
- Sin function 755
- Single command 42
- Sinh function 755
- Slider 156, 174, 188, 193, 200
- SLIP macro 367
- Slope function 306
- Small signal analysis 166
- Smith charts 171
- SNUBBER macro 368
- SPARKGAP macro 369
- Spectrum 754
- SPICE 26, 399, 421, 426, 430, 466, 470, 475, 481, 510, 527, 543, 550, 553, 556, 591, 595, 602, 611, 616
- SPICE3 26
- SPICE files 25, 26, 36, 777
- Splitter bars 33
- Split text/drawing areas horizontal 85
- Split text/drawing areas vertical 85
- SQRT function 760
- SRFF 660
- S switch 595
- Standard deviation 296
- State Variables editor 156, 159, 174, 188
- Clear command 159
- IC command 159, 160
- OK command 159, 163, 164
- Print command 159
- Read command 159
- Write command 159
- Status bar
 - Displaying current and power 33
 - Displaying logic expressions 33
 - Displaying memo field 33
- Step box command 76
- Stepping 69, 265, 417, 462, 592
 - Component 270
 - Decade 272
 - Dialog box 55, 156, 174, 188, 267
 - How it works 266
 - Model 270
 - Nested 269
 - Octave 272
 - Simultaneous 269
- Stepping schematic objects 55
- STP function 760
- Subcircuits 602, 735
- SUB macro 370
- SUM3 macro 372
- SUM function 758
- SUM macro 371
- S variable 743
- Switches 271, 595, 605, 616, 863
- Symbolic variables 266, 740

T

- T_ABS 781
- T_MEASURED 781
- T_REL_GLOBAL 781
- T_REL_LOCAL 781
- TABLE function 760, 763
- Tag
 - Horizontal tag mode 228
 - Performance Tag 228
 - Point tag mode 228
 - Vertical tag mode 228
- Tag horizontal command 228, 234
- Tag left cursor command 228, 234
- Tag right cursor command 228, 234

Tag vertical command 229, 234
 Tan function 755
 Tanh function 755
 TEMP 743, 781
 Temperature 151, 170, 184, 743
 Teslas 472
 Text 27, 29
 Dialog box 48
 Formula 51
 Grid 86
 Incrementing 55, 56, 61
 Mode 86
 Starting text on a new line 50
 Text area 25
 Text Editor 62
 TEXT keyword 604, 790
 THD function 757, 870
 Tile horizontal command 84
 Tile vertical command 84
 Time 258, 743, 747, 753, 764
 Title 31
 Title bar 32
 Title display command 90
 Tmax 151, 599, 743
 Tmin 151, 599, 743
 TNOM 68, 781
 Tolerance dialog box 289, 298
 Tolerances 290
 Absolute 290
 Relative 290
 Tool bar 38, 48, 86
 Top cursor position mode 249
 Touchstone 73
 Tow-Thomas filter 830
 Trackers 100, 241
 Transcendental functions 755
 Transfer function 476
 Transfer function analysis 207, 208
 Input impedance 208
 Output impedance 208
 Transformer 271, 610
 Transient analysis 104, 147, 476, 782
 Transition functions 691
 Transition tables 716
 Translate options 73
 Transmission line 611
 Transport delays 630
 Trapezoidal integration 69
 TRIAC macro 373
 TRIGGER6 macro 374
 TRIGGER keyword 456
 TRIODE macro 375
 Tristate 637, 650
 Troubleshooting tips 190
 TRTOL 68
 TRYTOCOMPACT 69

U

UGATE 646
 Undo command 57, 75, 227
 Uniform distribution 292, 296
 User definitions 103
 User file source 271, 614, 758
 User palettes 103
 UTGATE 650

V

Valley X function 303
 Valley Y function 303
 Variables 745, 751, 764
 Variables list 150, 153, 186, 751
 VCO macro 376
 Vertical tag 87, 224
 View
 Attribute text 31
 Border 31
 Cross-hair cursor 31
 Current 31
 Grid 31
 Grid text 31
 Node numbers 31
 Node voltages 31
 Pin connections 31
 Power 31
 Title 31
 View mode 88
 View text/drawing areas 84
 VIP button 31
 VNTOL 68, 596, 860, 863

Voltage 257, 259, 261, 262,
747, 749, 753
Voltage source 399, 437, 451
VT 743

W

W (Lambert W function) 760
Warning command 793
Watch command 795
Watch window 156, 174, 188
Waveform branch 152, 170, 184
Waveform Buffer 232, 250, 758
WHEN keyword 700
WIDEBAND macro 377
WIDTH 69
Width function 304
WIDTH keyword 701
Wildcard name syntax 746
Windings 471
Windows
 Circuit control menu 19
 Component panel 20
 Control menu 19
 Definition 18
 Menu bar 19
 Menus 22
 Primer 17
 Scroll bars 20
 Title bar 19
 Tool bar 19
 Window border 20
 Window corner 20
Windows menu 84
Wire 30
Wires 30, 86
 Clear cut command 57
 Connection rules 44
 Diagonal 27, 86
 Direction control 45
 Mode 30
 Orthogonal 27
Wizards
 Add Parts 134

Import 136
Worst case distribution 292, 296
W switch 616

X

X (flux) 747, 753
X delta function 305
X expressions 171
X level function 305
XOR operator 756
X range function 305
XTAL macro 378

Y

Y-Parameters 580
Y delta function 305
Y expressions 171
Y level function 305
YN function 760
Y range function 306

Z

Z (complex impedance) 259, 760, 763
Z-Parameters 580
Zener breakdown 427
Zeros of a filter 833
Zoom commands 84, 227
Z transform source 166, 619